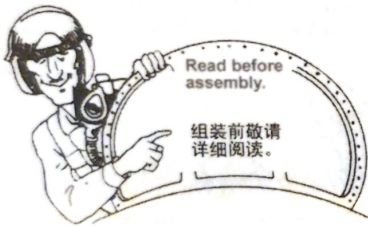


MIG-31 "FOXHOUND"

Mig-31 high-speed fighter was made based on Mig-25, equipped with powerful turbofan, advance radar system. The intercepting ability in low sky was improved raidly. It was named FOXHOUND. The missile included AA-9, AA-8 and AA-6 AAM. The fighter is with empty body 21,800kg, thrust 14000kg, radius 1,135km, a crew of 2 members. The model is much suitable imaginative you to make it and value it.

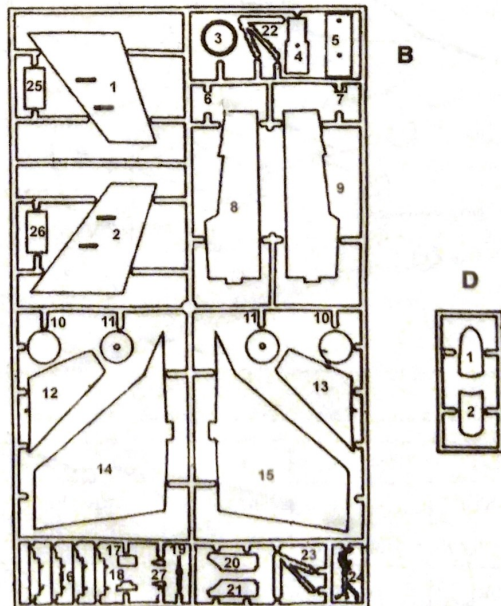
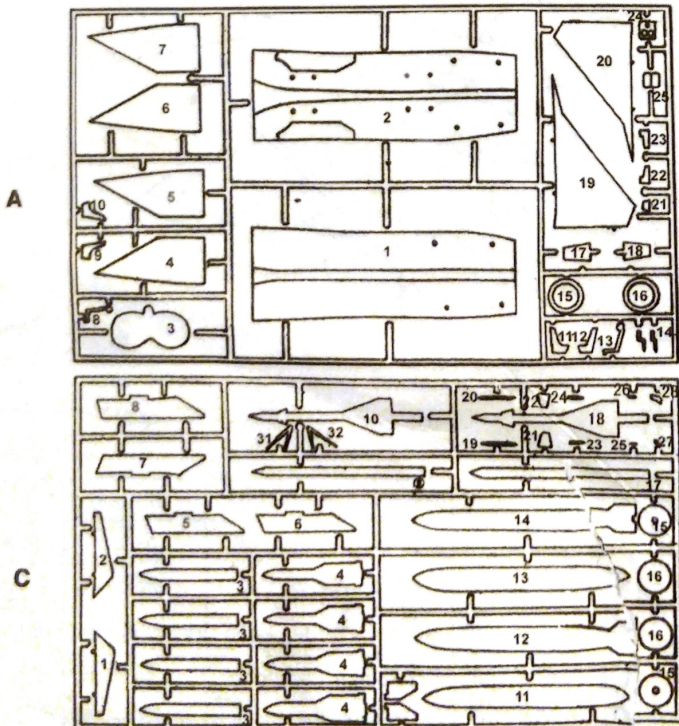
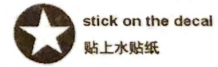
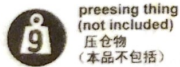
俄罗斯空军米格31“捕狐犬”歼击机

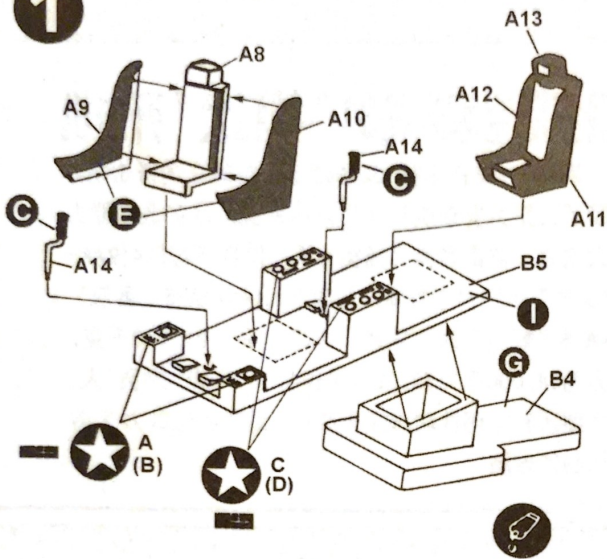
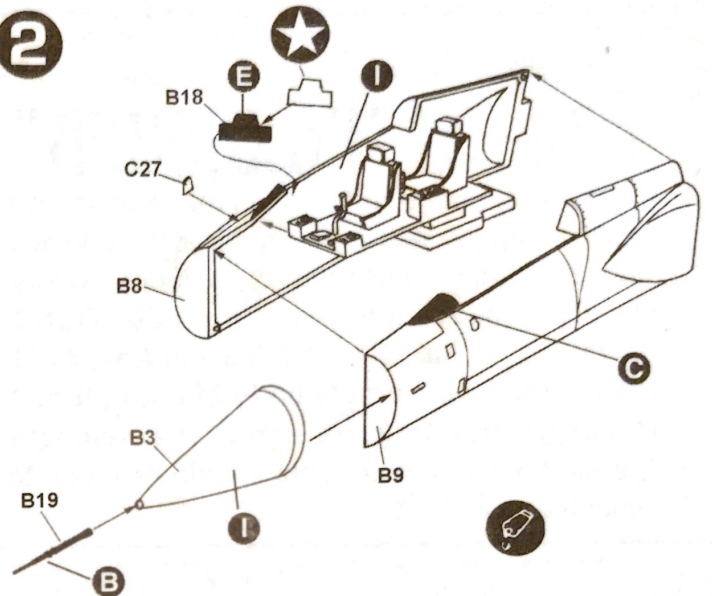
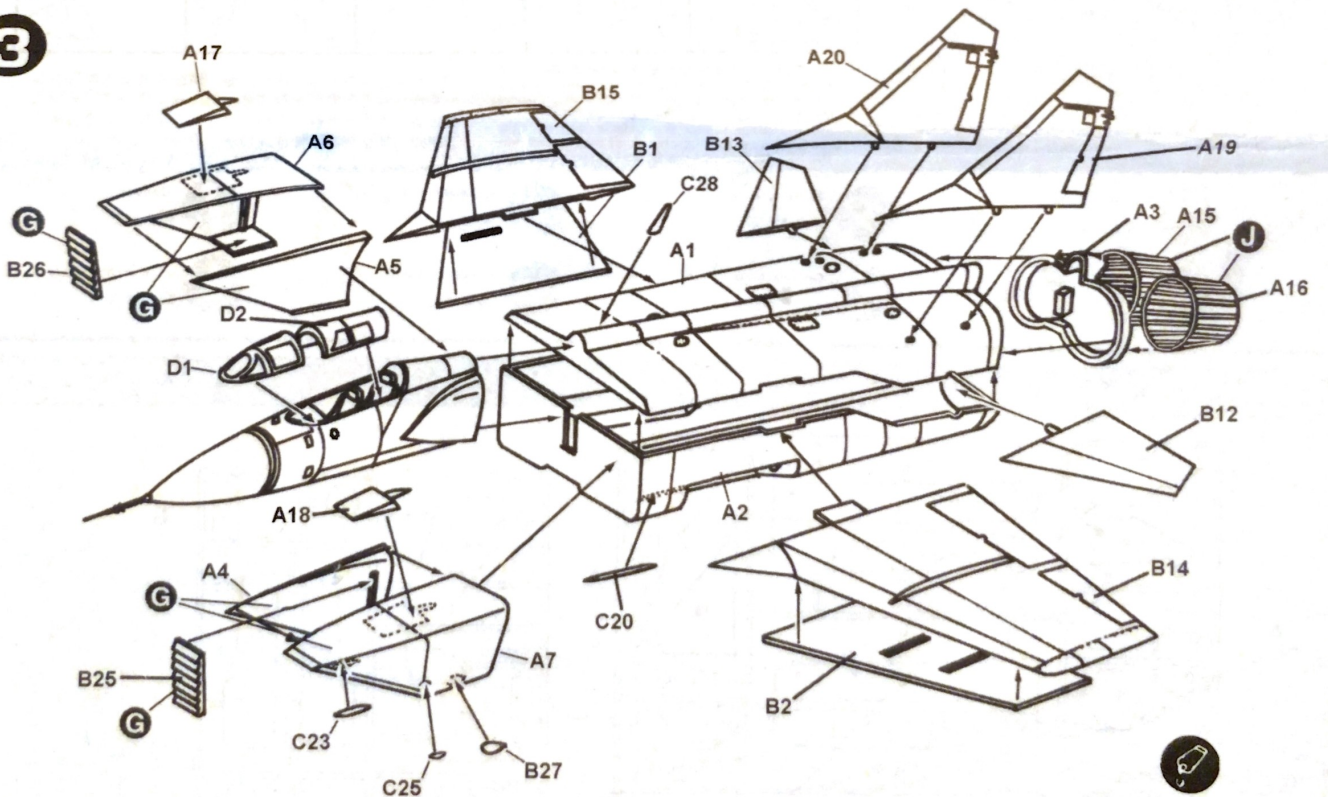
米格-31是在米格-25基础上研制的高速歼击机，换装了大推力发动机和新型雷达系统，底空截击能力大大增强，被命名为“捕狐犬”。机身下可挂4枚AA-9“尖顶”远距对空导弹，翼尖下可挂载AA-6“毒辣”和AA-8“蚜虫”对空导弹。全机空重为21,800千克，推力为14,000千克X2，战斗半径1,135千米，乘员2人，本模型所有零部件均忠实于原形，最适合想象力丰富的您制作珍藏。



Please get the useful tools ready. Remove parts from frame with a pair of scissors and trim away excess plastic. Do not pull off parts. Use cement sparingly to avoid damaging the model. please tear the plastic bag of this product to avoid children putting their heads into the bag. Do not put the parts into your mouth.

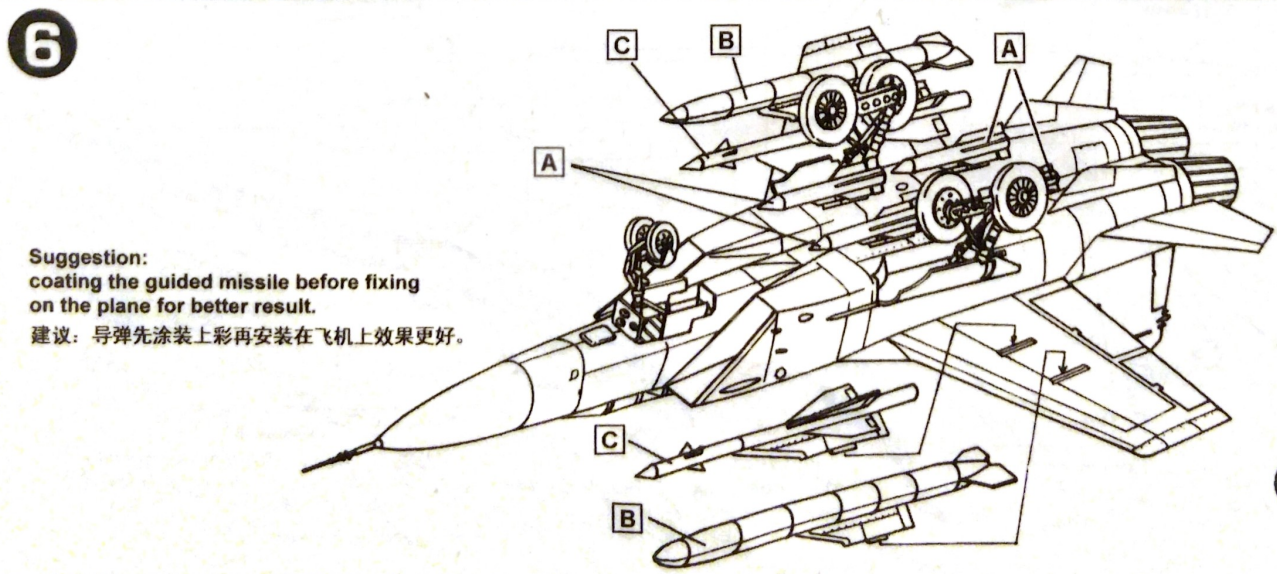
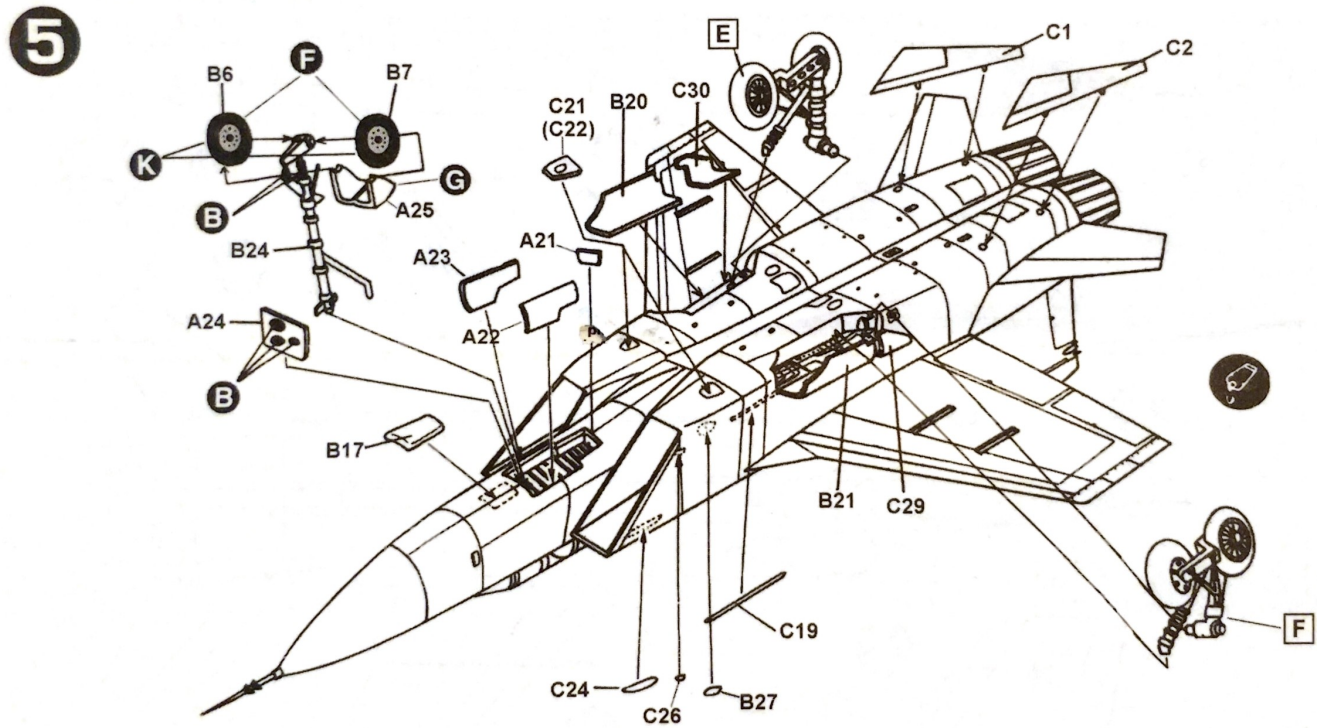
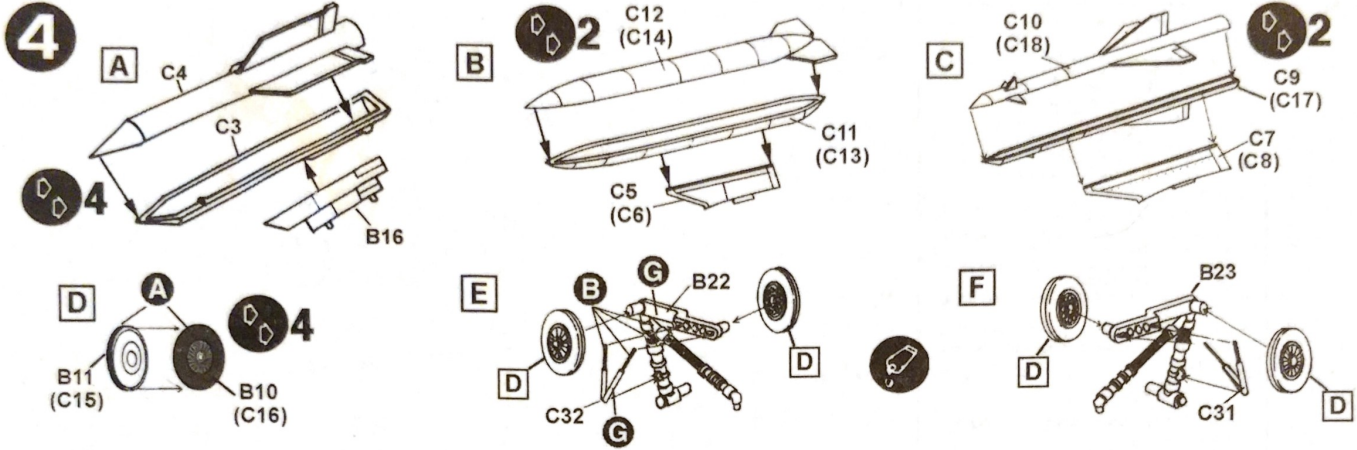
使用工具应小心，注意安全。用模型剪从注塑片中取出零件，修去多余料头及飞边，勿拔取零件。使用模型胶勿过量，不得近火源。商品的空袋为了不让小孩套在头上请撕掉。禁止把零部件含入口中。



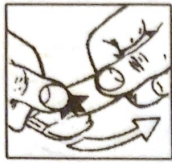
1**2****3**

A	black	schwarz	noir	nero	黑色
B	silver	silber	argent	argento	银色
C	flat black	mattschwartz	noir mat	nero opaco	哑黑色
D	steel	stahl	acier	acciaio	黑铁色
E	aircraft gray	flugzeug grau	gris avion	grigio aviazione	飞机灰色
F	tire black	reifenschwarz	noir de pneu	nero pneumatico	胎黑色

G	white	weiss	blanc	banco	白色
H	red	rot	rouge	rosso	红色
I	bright green	hellgrun	vert vif	verde vivo	明绿色
J	burnt iron	gebreisen	fer brule	ferro bruciato	烧铁色
K	dark green	dunkel grun	vert fonce	verde scuro	深绿色
M	neutral gray	neutral gray	neutral gray	grigio neutro	浅灰色



Suggestion:
 coating the guided missile before fixing
 on the plane for better result.
 建议：导弹先涂装上彩再安装在飞机上效果更好。



APPLYING DECALS

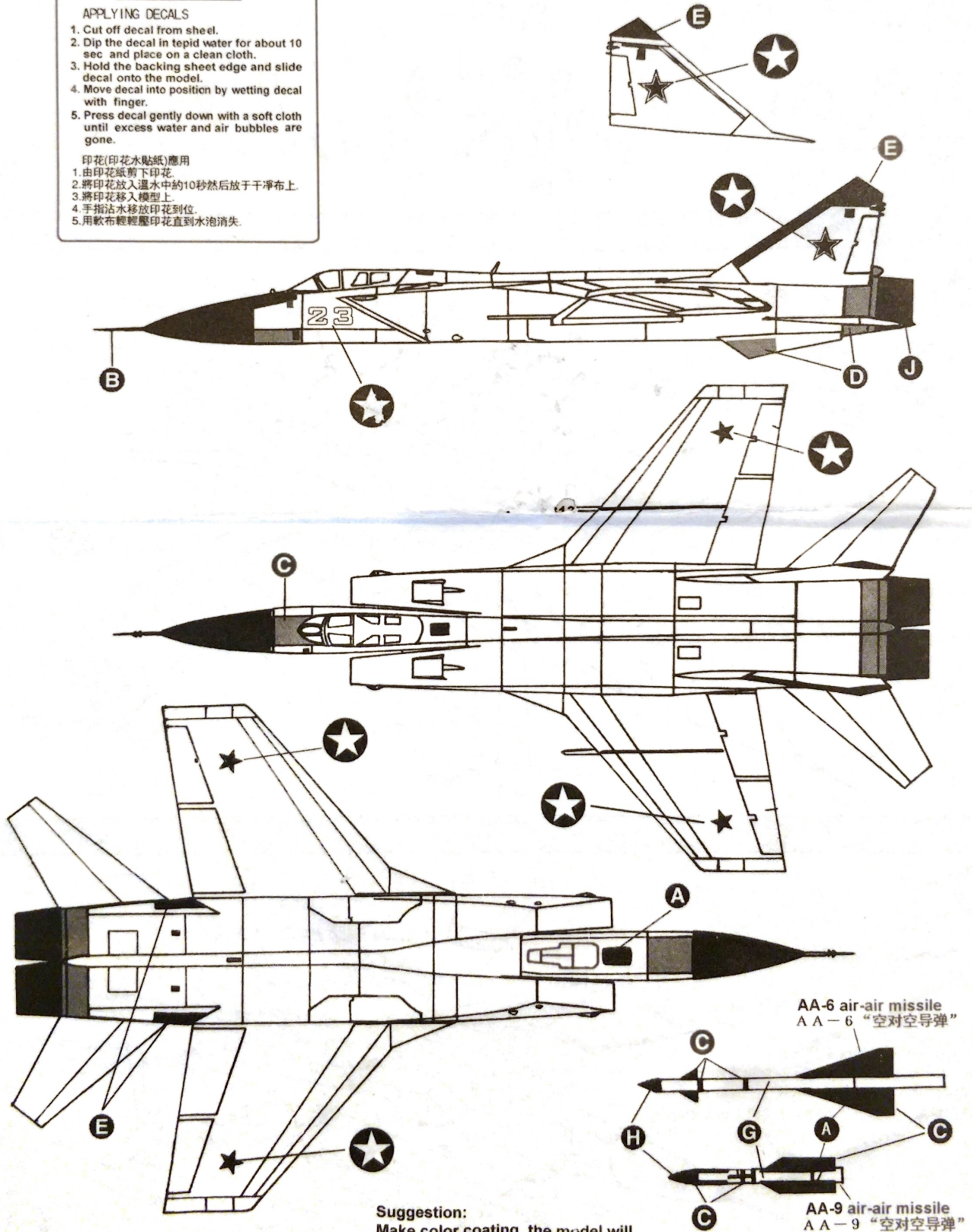
1. Cut off decal from sheet.
2. Dip the decal in tepid water for about 10 sec and place on a clean cloth.
3. Hold the backing sheet edge and slide decal onto the model.
4. Move decal into position by wetting decal with finger.
5. Press decal gently down with a soft cloth until excess water and air bubbles are gone.

印花(印花水貼紙)應用

1. 由印花紙剪下印花
2. 將印花放入溫水中約10秒然後放於干淨布上
3. 將印花移入模型上
4. 手指沾水移印花到位
5. 用軟布輕輕壓印花直到水泡消失

Painting instruction

塗裝指導



Suggestion:
 Make color coating, the model will be perfect & more lifelike.
 建议: 进行上色涂装, 模型将更完美、逼真。

AA-6 air-air missile
 AA-6 "空对空导弹"

AA-9 air-air missile
 AA-9 "空对空导弹"