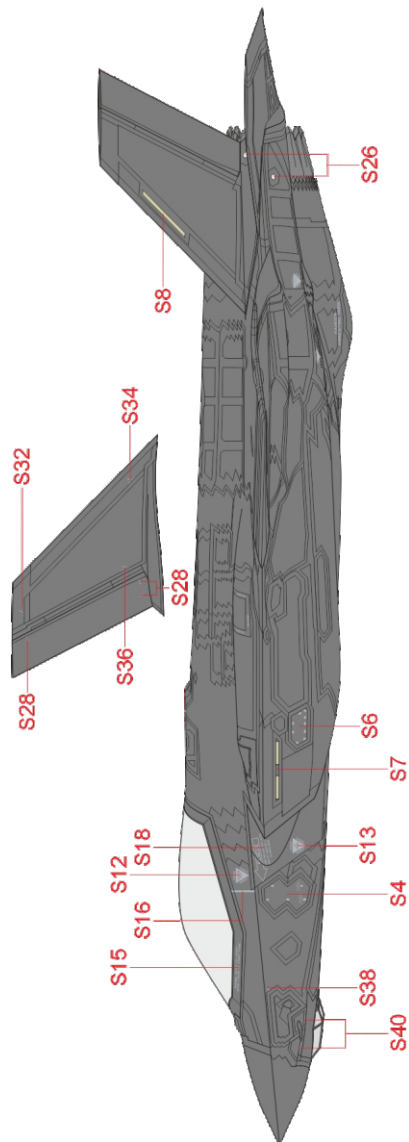


SCALE
1/32

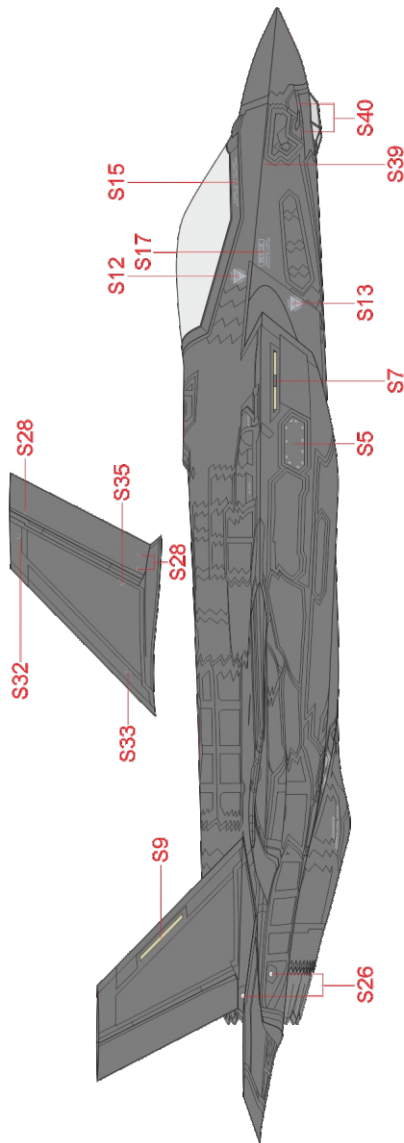
F-35A stencils

ITEM #
D32022

INNER SIDE OF LEFT VERTICAL TAIL



INNER SIDE OF RIGHT VERTICAL TAIL



DESIGNED EXCLUSIVELY FOR F-35A BY ITALERI



Czech Republic
 Eduard - Model Accessories, 435 21 Obrnice 170,
 WWW.EDUARD.COM

D32022 F-35A stencils 1/32



