

H-19

Part 1



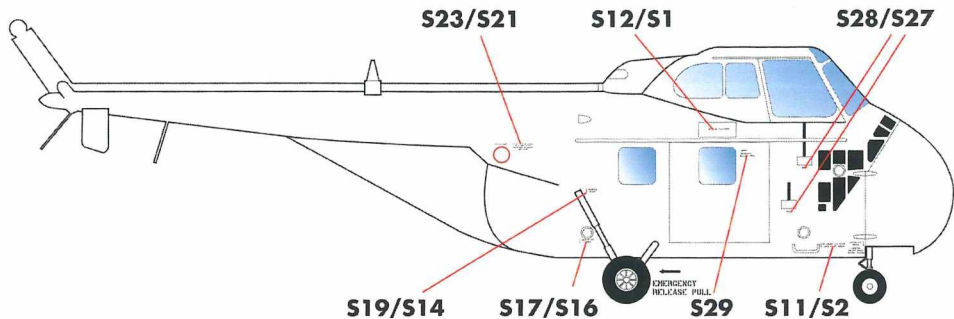
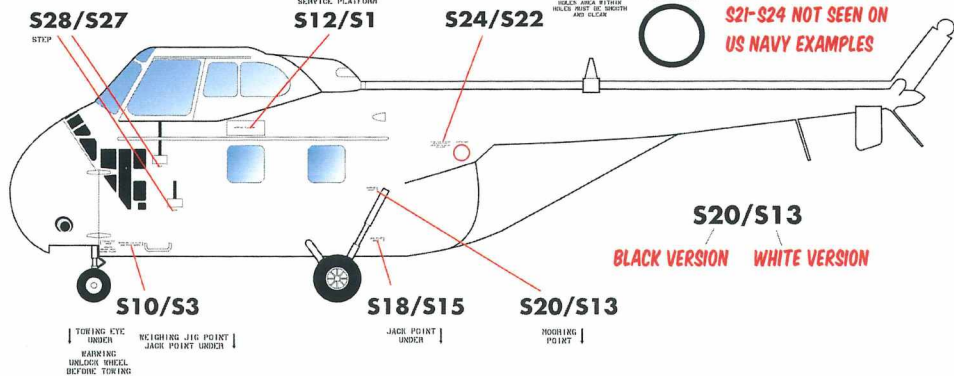
**USN & USMC MARKING OPTIONS
DESIGNED FOR THE REVELL KIT**

1/48 SCALE

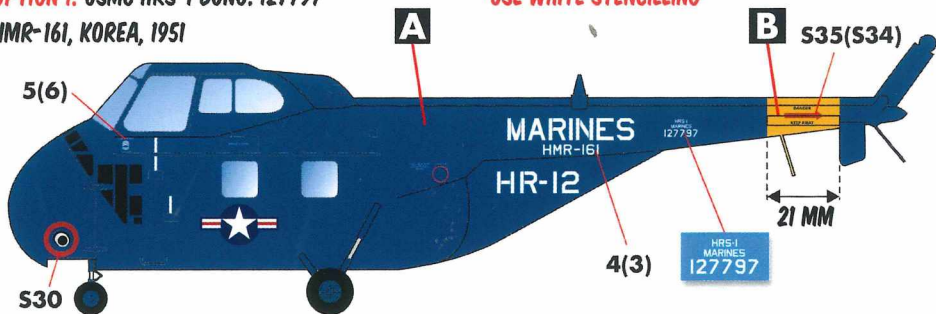
DECALS PRINTED BY



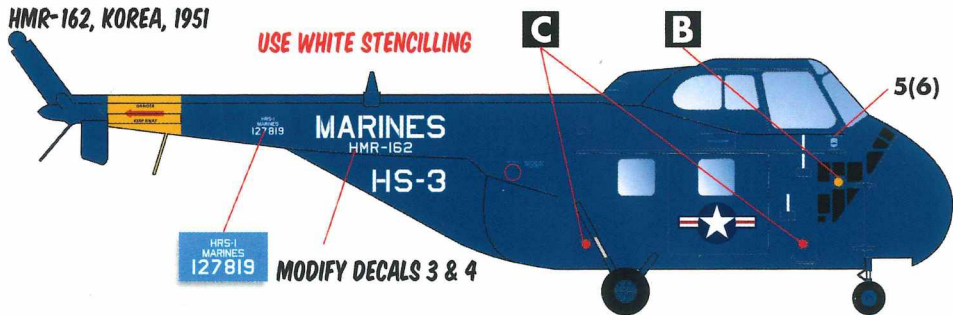
COMMON STENCILLING



OPTION 1: USMC HRS-1 BUNO. 127797
HMR-161, KOREA, 1951



OPTION 2: USMC HRS-1 BUNO. 127819
HMR-162, KOREA, 1951



MARKINGS FOR OPTIONS 1 AND 2 ARE SIMILAR. REFER TO BOTH OF THESE DRAWINGS FOR MARKINGS ON EACH SIDE.

FRONTAL VIEWS (SIMPLIFIED)



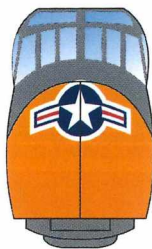
OPT. 1



OPT. 2



OPT. 3,4

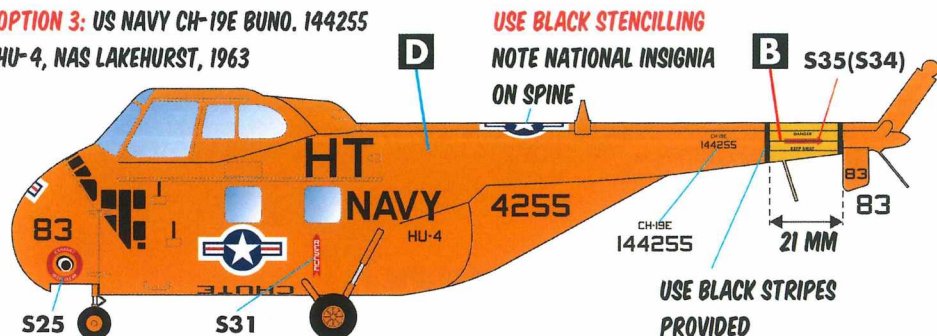


OPT. 5



OPT. 6

OPTION 3: US NAVY CH-19E BUNO. 144255
HU-4, NAS LAKEHURST, 1963



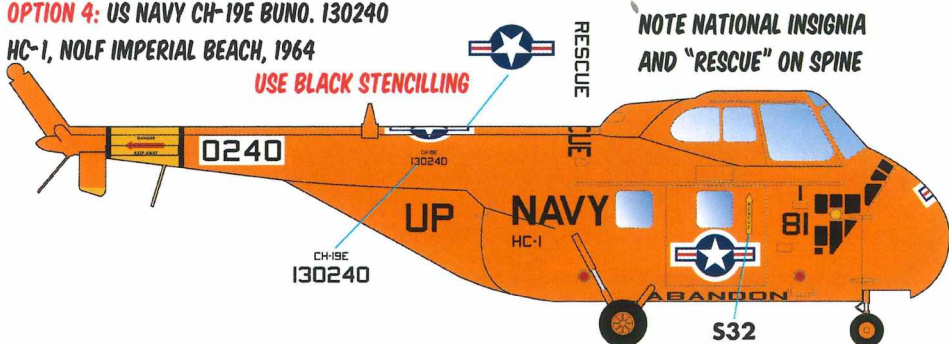
USE BLACK STENCILLING
NOTE NATIONAL INSIGNIA
ON SPINE

USE BLACK STRIPES
PROVIDED

"83" ON NOSE IS IN THE SAME LOCATION ON EACH SIDE

USE RED "RESCUE" ARROWS (S31) ON BOTH SIDES. SEE OPTION 4 FOR LOCATION ON OTHER SIDE

OPTION 4: US NAVY CH-19E BUNO. 130240
HC-1, NOLF IMPERIAL BEACH, 1964



NOTE NATIONAL INSIGNIA
AND "RESCUE" ON SPINE

"81" ON NOSE IS IN THE SAME LOCATION ON EACH SIDE

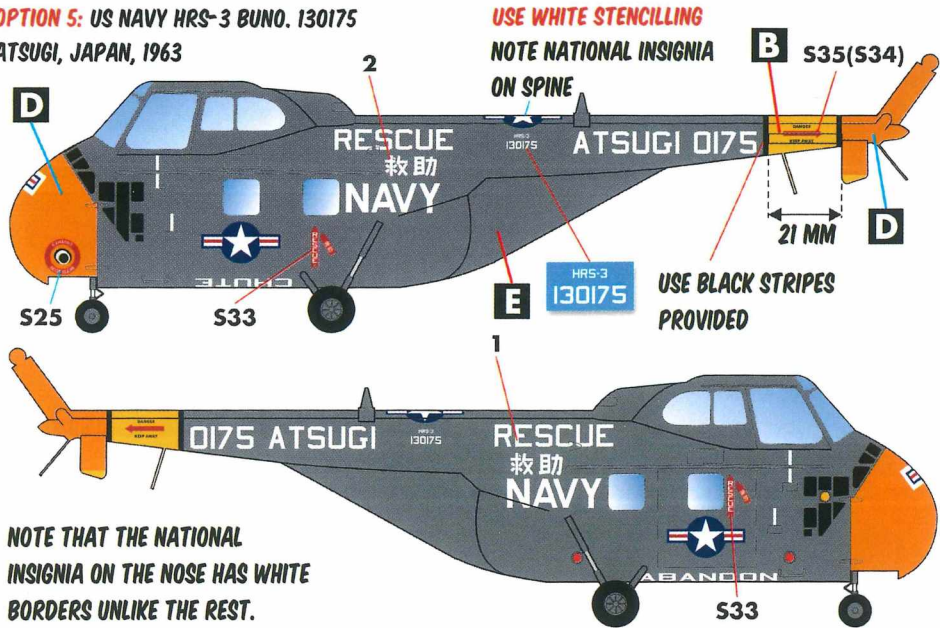
USE YELLOW "RESCUE" ARROWS (S32) ON BOTH SIDES. SEE OPTION 3 FOR LOCATION ON OTHER SIDE



ALL OPTIONS HAVE A NATIONAL INSIGNIA UNDER THE FUSELAGE, USUALLY THE SAME TYPE (WITH OR WITHOUT WHITE BORDER) AS APPLIED TO THE FUSELAGE SIDES. NOTE LOCATION AND ORIENTATION WITH RESPECT TO THE WHEELS.

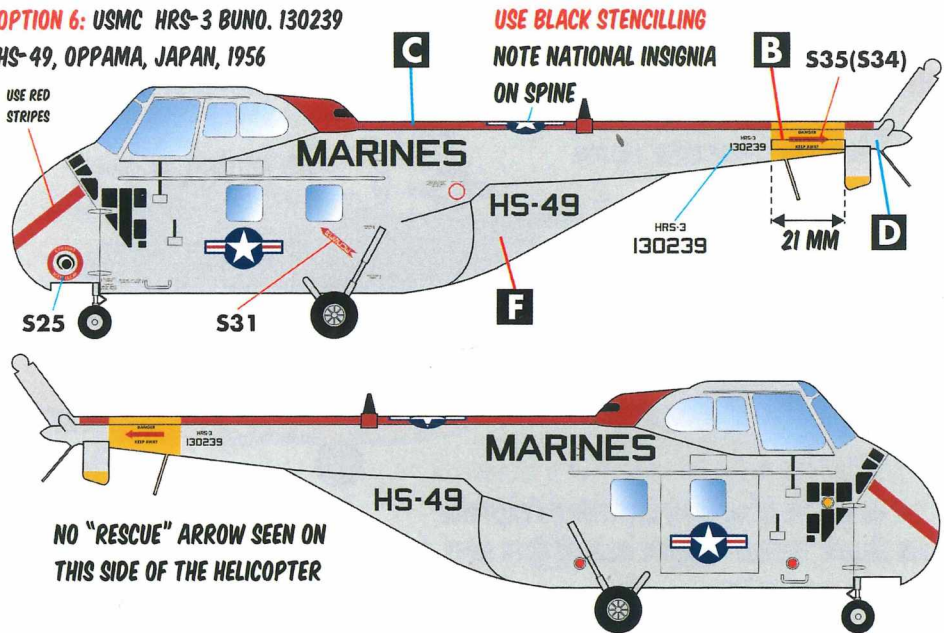
"ABANDON CHUTE" APPLIED ON OPTIONS 3 AND 4 IN BLACK, AND ON OPTION 5 IN WHITE.

OPTION 5: US NAVY HRS-3 BUNO. 130175
ATSUGI, JAPAN, 1963



NOTE THAT THE NATIONAL INSIGNIA ON THE NOSE HAS WHITE BORDERS UNLIKE THE REST.
WHITE "ABANDON CHUTE" UNDER FUSELAGE SIMILAR TO OPTS. 3 & 4

OPTION 6: USMC HRS-3 BUNO. 130239
HS-49, OPPAMA, JAPAN, 1956



NO "RESCUE" ARROW SEEN ON THIS SIDE OF THE HELICOPTER

- A** GLOSS SEA BLUE (FS15042)
- B** CHROME YELLOW (FS33538)
- C** INSIGNIA RED (FS31136)
- D** INT. ORANGE (FS12197)
- E** ENGINE GRAY (FS16081)
- F** LIGHT GULL GRAY (FS36440)