

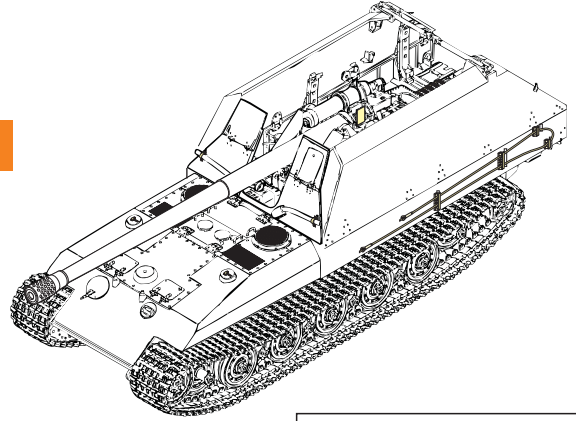
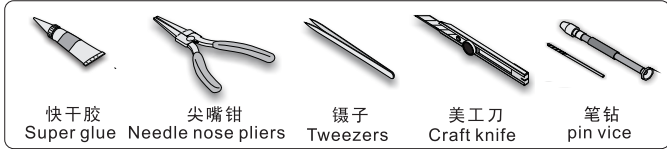
1/35 MILITARY MINIATURE VEHICLE UPGRADE SERIES PE35206











# WWII German Grills II


## 二战德军铁栅栏II型改造套件

[For TRUMPERER kit]

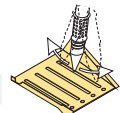
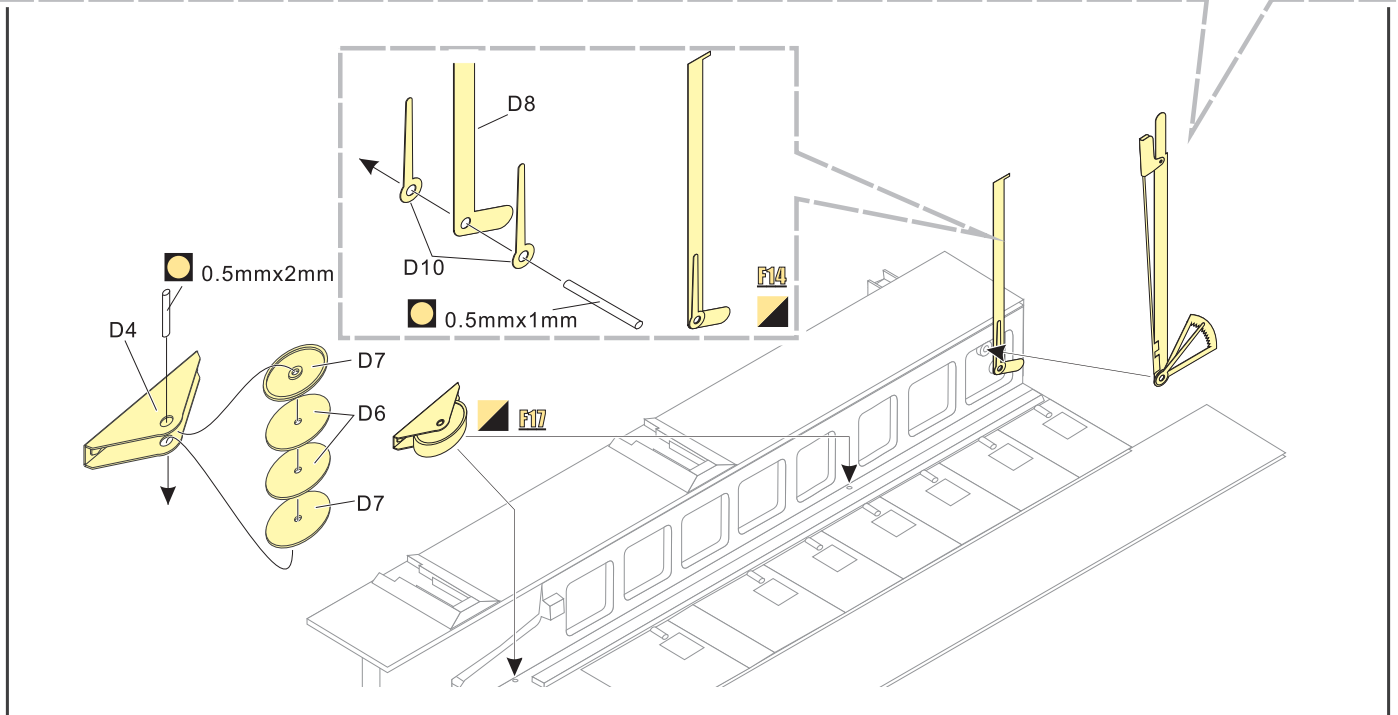
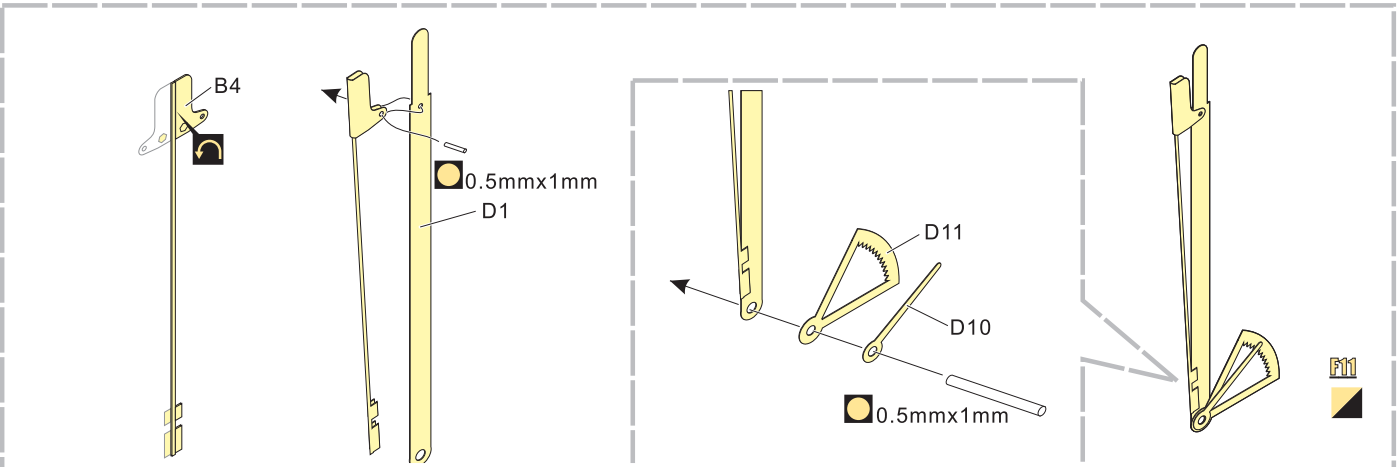
### 推荐使用工具 RECOMMENDED TOOLS



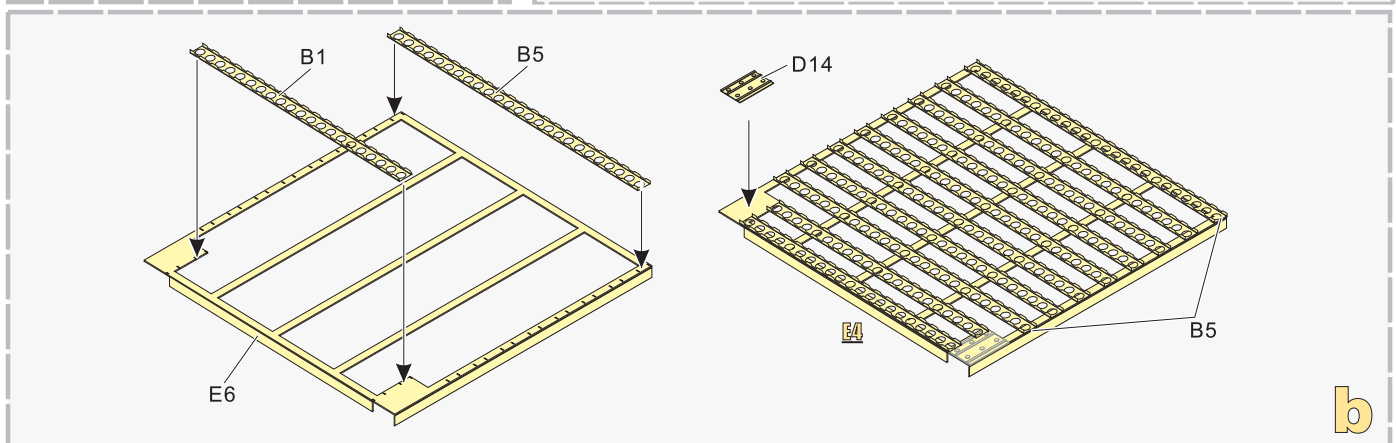
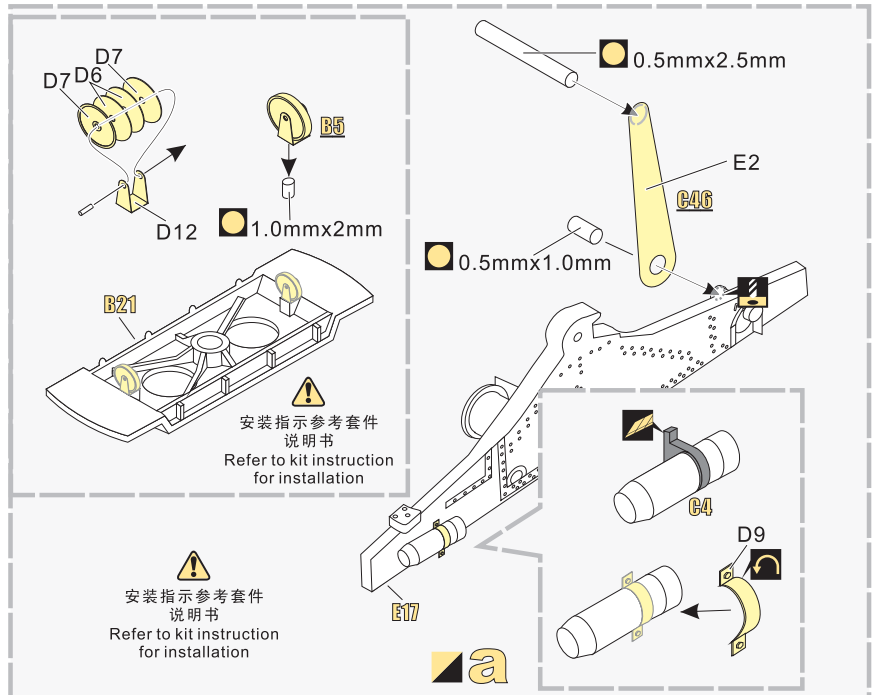
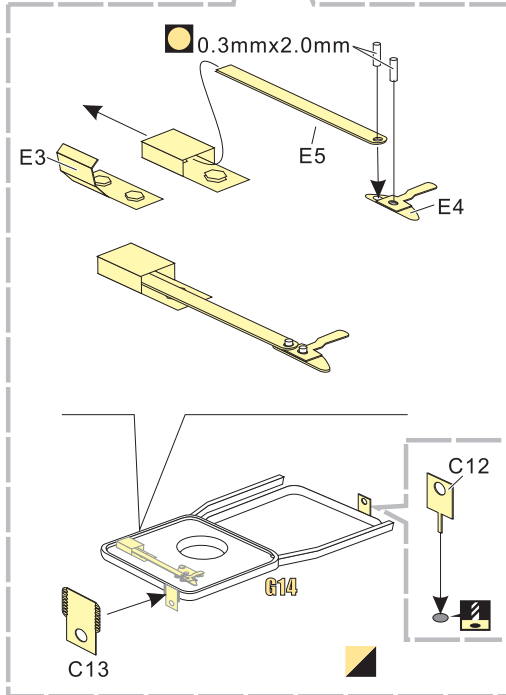
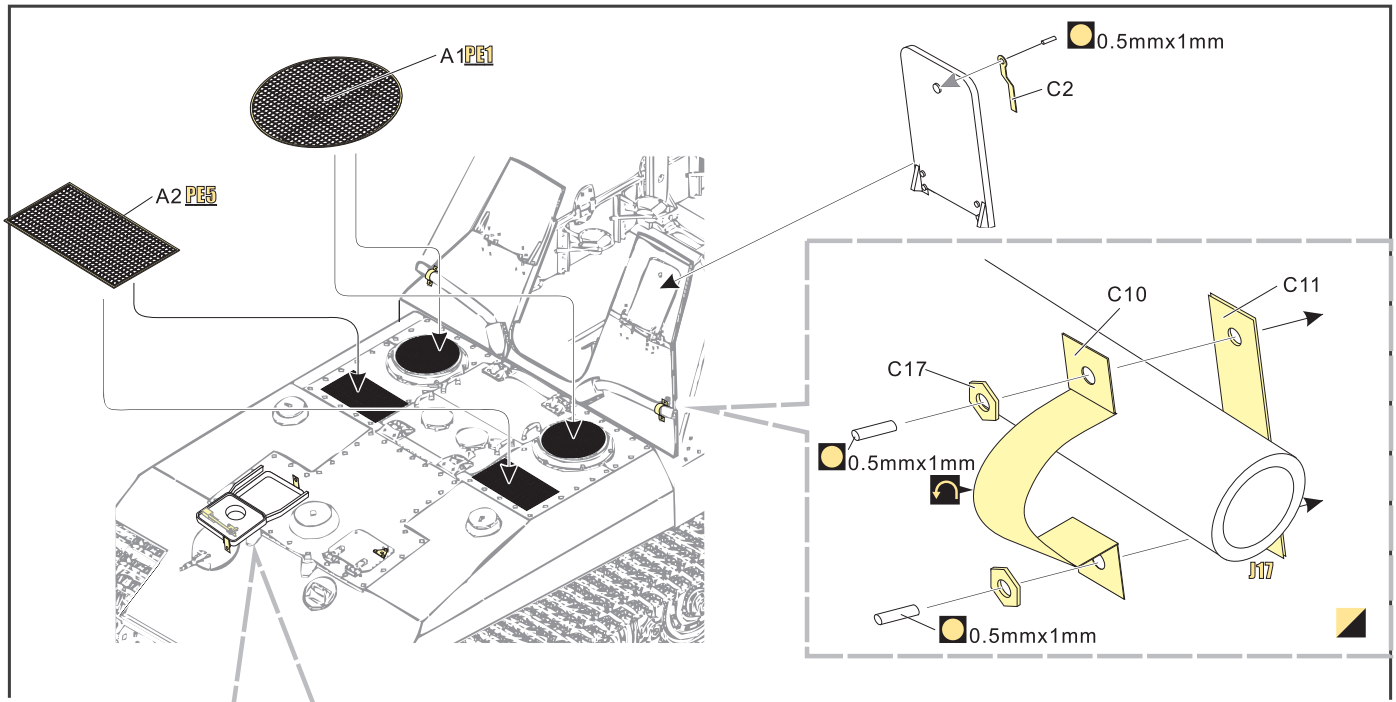
-   
**安装**  
install
-   
**折叠**  
bend
- A1**  
改造件零件编号  
PE/resin part number
- B12**  
原零件编号  
kit part number
- C22**  
被替换的原零件编号  
replaced kit part number
-   
 另一侧相同制作  
repeat on opposite side
-   
**切除**  
remove
-   
**打磨**  
grind off
-   
**弧度卷曲**  
radial bending
-   
**制作若干组**  
multiple assembly
-   
**选择安装**  
alternative
-   
**钻孔**  
drill
-   
**用胶棒制作**  
make from plastic rod

  
 用尖端在凹槽处冲压  
use penpoint to press on the dent

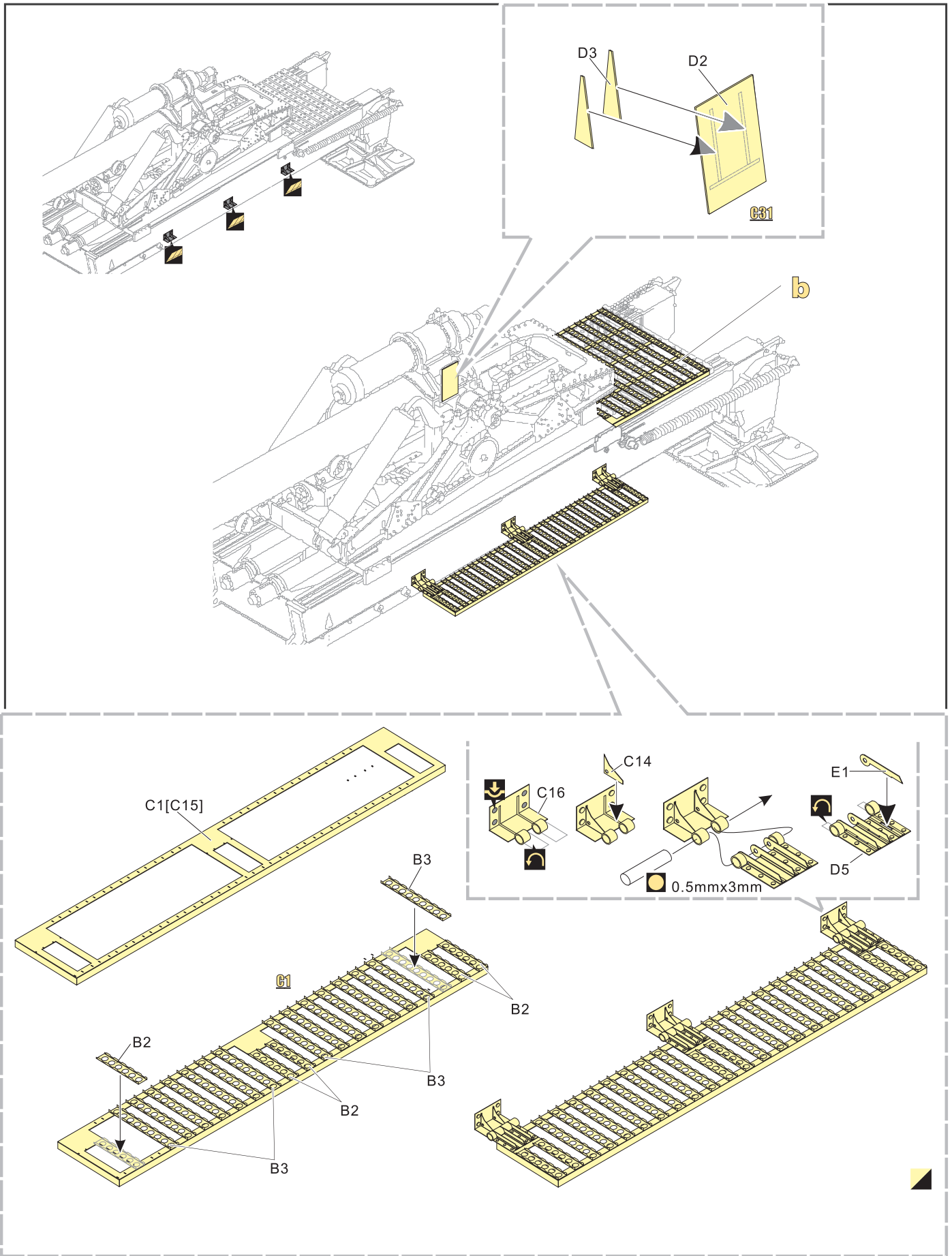
蚀刻片零件内朝面向上  
Put the part upside down  
 用笔尖在凹槽处刺  
Use penpoint to press on the dent

1/35 MILITARY MINIATURE VEHICLE UPGRADE SERIES PE35206



1/35 MILITARY MINIATURE VEHICLE UPGRADE SERIES PE35206



1/35 MILITARY MINIATURE VEHICLE UPGRADE SERIES PE35206

