

REPUBLIC RC-3 SEABEE

With the end of World War II in sight, Republic was keen to enter the civil aviation market. Republic bought the design of a lightweight sporting amphibian from P.H. Spencer who was a well-known designer of single-engine amphibians.

The first prototype was flown in 1945. Production models of the RC-3 Seabee had four-seat accommodation and a Franklin flat-six engine. Demand for the Seabee was great particularly because Republic had underpriced it. When production was brought to an end in late 1947, over 1000 Seabees had been built.

Maximum speed in production models was 120 mph with a range of 300 miles. Many Seabees are still flying today. In most instances, their performance has been increased with more powerful engines and other modifications including even the addition of longer wings.

Your kit includes decals for any US aircraft and the first three sold to Britain. Two aircraft were donated to the Israelis in their early fight for independence. The markings and camouflage were taken from photos of the aircraft.

*Box Art by John Amendola
New Invisa-Clear® Decals by Scale Master*

BRITAIN
"CAUTION: NOT SUITABLE FOR CHILDREN UNDER 3
YEARS. CONTAINS SMALL PARTS."

FRANCE
CERTAINS PRODUITS CONTIENNENT DES PIÈCES DE
PETITE DIMENSION QUI NE CONVIENT PAS A UN
ENFANT DE MOINS DE 36 MOIS.

GERMANY
VORSICHT: NICHT FÜR KINDER UNTER 36 MONATEN—
ERHALT KLEINE TEILE.

ITALY
PRODOTTO NON ADATTO AI BAMBINI DI ETÀ
INFERIORE AI 36 MESI. CONTIENE PICCOLLO OGGETTI.

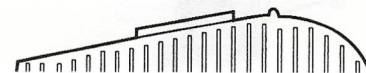
HOLLAND
KAN GEVAAR OPLEVEREN VOOR KINDEREN TOT 3
JAAR. BEVAT KLEINE ONDERDELEN.

PORTUGAL
ATENÇÃO: IMPRÓPRIO PARA CRIANÇAS COM MENOS
DE 3 ANOS. CONTÉM PEÇAS PEQUENAS.

SPAIN
ATENCIÓN: NO ES CONVENIENTE PARA NIÑOS
MENORES DE 3 AÑOS. CONTIENE PIEZAS PEQUEÑAS.

DENMARK
FORSIGTIG! IKKE EGNET TIL BØRN UNDER 3 ÅR.
INDEHOLDER SMA DELE.

GREECE
ΠΡΟΣΟΧΗ: ΔΕΝ ΕΙΝΑΙ ΚΑΤΑΛΛΗΛΟ ΓΙΑ ΠΑΙΔΙΑ
ΚΑΤΩ ΤΩΝ ΤΡΙΩΝ ΕΤΩΝ ΠΕΡΙΕΧΕΙ ΜΙΚΡΑ ΤΕΜΑΧΙΑ.

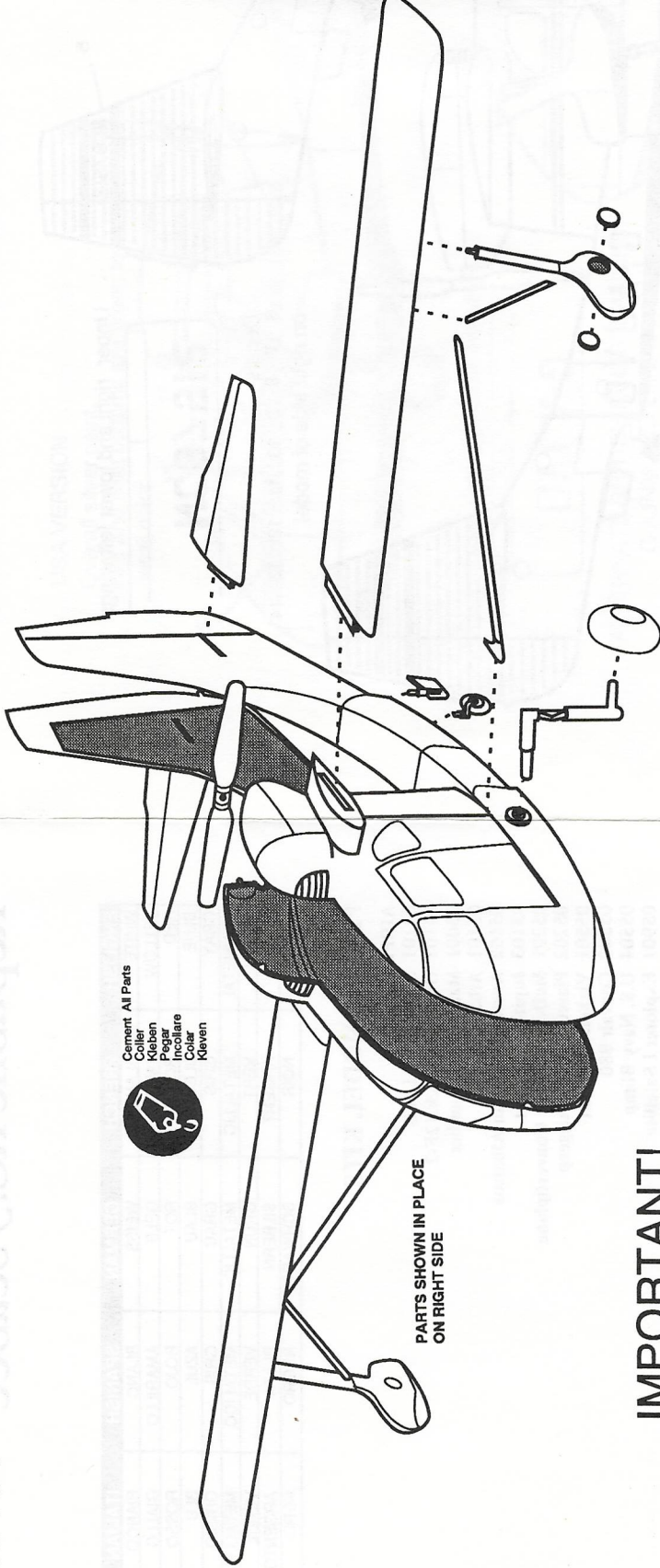


GLENCOE



MODELS

Cement: All Parts
 Collier
 Kleben
 Pegar
 Incollare
 Zusammen
 Kleben



PARTS SHOWN IN PLACE
 ON RIGHT SIDE

IMPORTANT!

READ THIS BEFORE BEGINNING TO PAINT

If you wish to have clear windows on your SeaBee model, apply the window decals (Numbers 1 through 8) directly onto the clear plastic **BEFORE YOU PAINT THE MODEL!** The *Invisi-Clear* decals will serve as a mask to protect the clear windows from the paint.

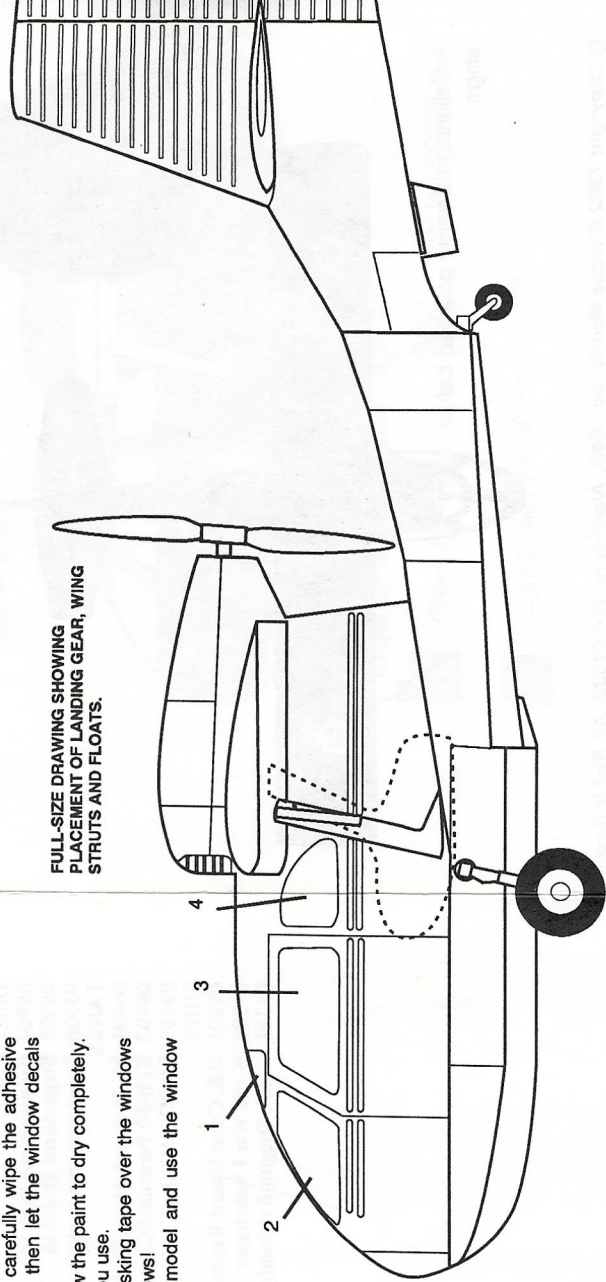
When the decals have set about 30 minutes, carefully wipe the adhesive from the surrounding plastic with a damp tissue, then let the window decals dry thoroughly.

Paint the model as you would normally and allow the paint to dry completely. The time will vary according to the type of paint you use.

When the paint has dried completely, press masking tape over the windows and lift the decals away. You will have clear windows!

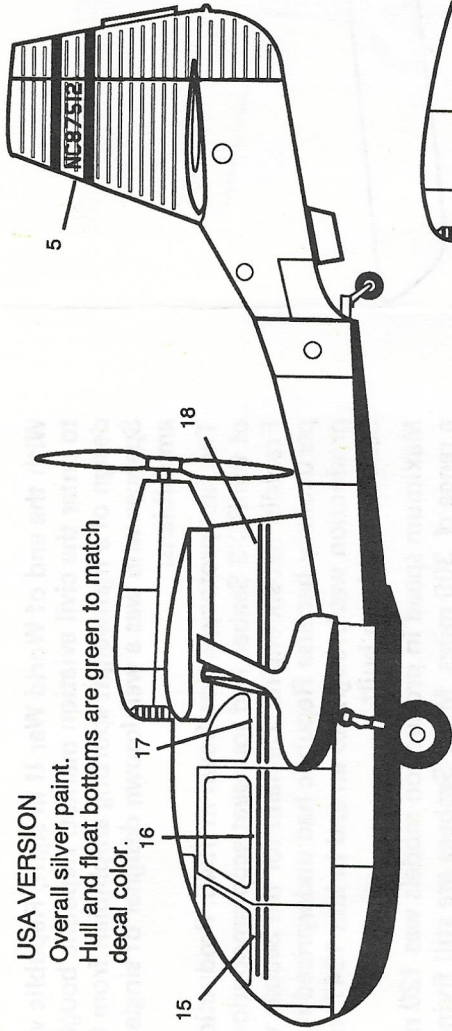
If you do not want clear windows, paint the model and use the window decals to represent the window areas.

FULL-SIZE DRAWING SHOWING
 PLACEMENT OF LANDING GEAR,
 STRUTS AND FLOATS.



USA VERSION

Overall silver paint.
Hull and float bottoms are green to match
decal color.



Upper right and lower left wings

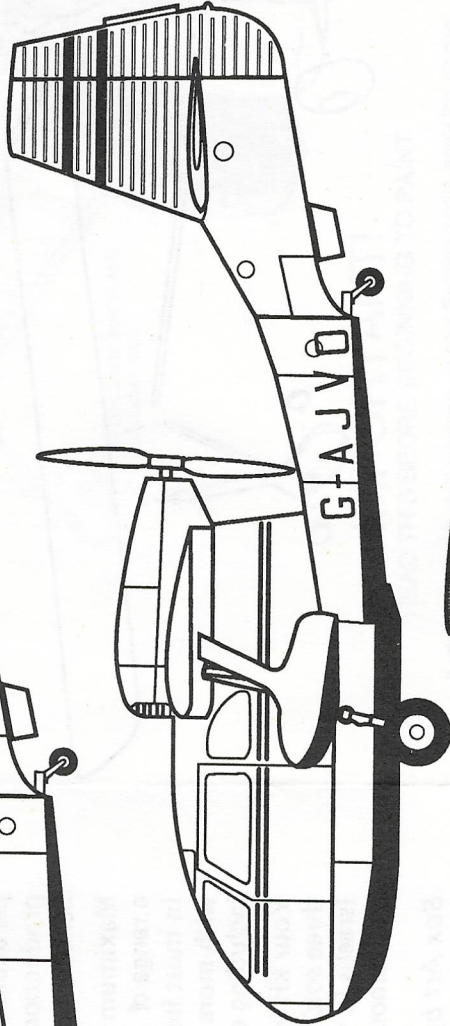
NC87512

Decals

6 7 8 9 10 11 12 13 14
on right side of model

Upper right and lower left wings

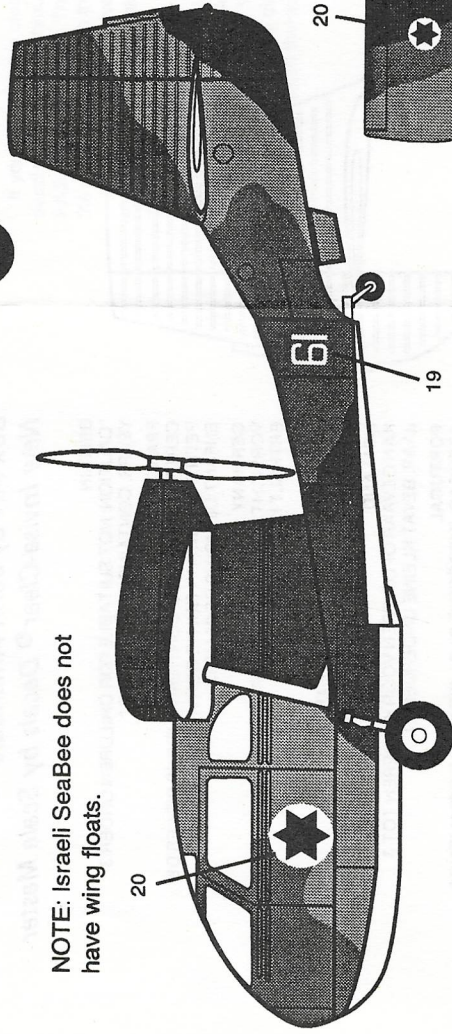
G-AJVQ



ALTERNATE BRITISH REGISTRATIONS:
G-AJNM AND G-AJVP

Color scheme same as USA version.

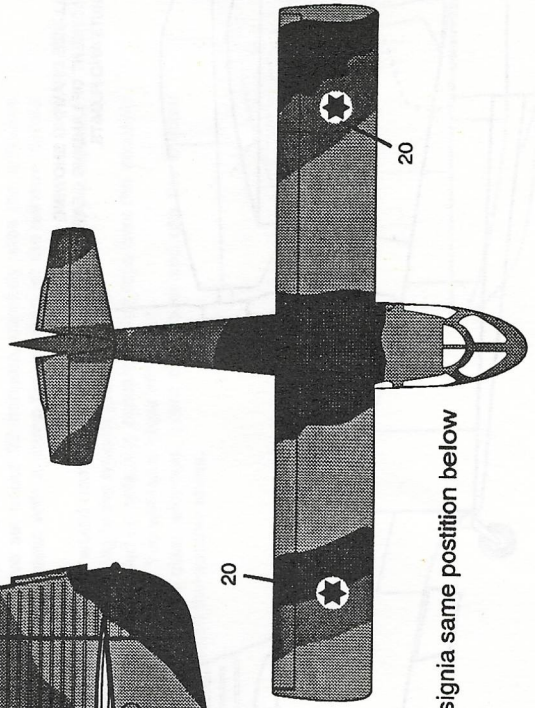
NOTE: Israeli SeaBee does not
have wing floats.



Lower surfaces light blue FS 35622

Green FS 34227 Light tan FS 33531

Light brown FS 30219



Israeli insignia same position below
wings.

Republic RC.3 Seabee

ENGLISH	FRENCH	GERMAN	SPANISH	ITALIAN
WHITE	BLANCO	WEISS	BLANCO	BIANCO
YELLOW	JAUNE	GELB	AMARILLO	GIALLO
RED	ROUGE	ROT	ROJO	ROSSO
BLUE	BLEU	BLAU	AZUL	BLU
	GRAY	GRIS	GRIS	GRIGIO
GUNMETAL	METALLIC	METALLIC	METALICO	METALLICO
GREEN	VERT	GRUN	VERDE	VERDE
SILVER	ARGENT	SILBERN	PLATA	ARGENTO
BLACK	NOIR	SCHWARTZ	NEGRO	NERO

PLASTIC MODEL KITS

AIRPLANES

- 03101 Spirit of St. Louis
- 04101 Grumman Duck J2F-2
- 05001 Martin MB-2 Bomber
- 05101 Albatros DIII
- 05102 Austro-Hungarian Albatros
- 05103 Jupiter C Rocket
- 05201 McDonnell XV-1 Convertiplane
- 05202 Piasecki ZV-8P Airgeep
- 05501 Vickers Viscount
- 05502 Convair 880
- 05504 U.S. Navy Blimp
- 05901 Explorer I Satellite
- 06101 Curtiss Condor

FIGURES

- 05902 U.S. Paratrooper kit
- 05903 U.S. Navy SEAL kit
- 05907 1940s Spacemen & women
(12 figures in a box)

DINOSAURS

- 05904 Brontosaurus Skeleton
- 05905 Stegosaurus Skeleton
- 05906 Tyrannosaurus Skeleton

TANKS

- 06401 PT-76 Amphibious Tank
- 06402 BTR-50 Personnel Carrier
- 07401 FROG 3 Missile Carrier

SHIPS

- 05301 U.S. Coast Guard Rescue Boat
- 07301 World War I Subchaser
- 08301 U.S.S. Oregon Battleship

GLENCOE



MODELS