

**TIG**

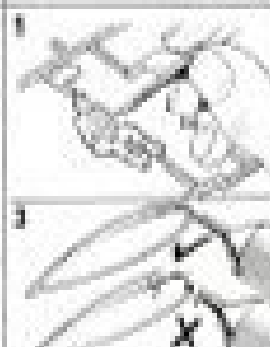
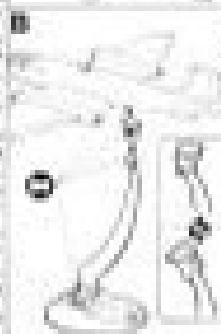
action display stand

**10 TOP MODEL TIPS**

GUMMAN F4F-1B BEARCAT

**TIG**1/48  
SCALE**MODEL**

1. To assemble accurately, use the correct order of assembly.
2. Do not use excessive force when fitting parts together.
3. Do not use excessive force when fitting parts together.
4. Do not use excessive force when fitting parts together.
5. Do not use excessive force when fitting parts together.
6. Do not use excessive force when fitting parts together.
7. Do not use excessive force when fitting parts together.
8. Do not use excessive force when fitting parts together.
9. Do not use excessive force when fitting parts together.
10. Do not use excessive force when fitting parts together.



Do not use excessive force when fitting parts together.

**NO**

Do not use excessive force when fitting parts together.

Do not use excessive force when fitting parts together.

Do not use excessive force when fitting parts together.

Do not use excessive force when fitting parts together.

Do not use excessive force when fitting parts together.

Do not use excessive force when fitting parts together.

Do not use excessive force when fitting parts together.

Do not use excessive force when fitting parts together.

**GRUMMAN F4F-1B BEARCAT**  
New construction

**EXPERIMENTAL INSTRUCTIONS**  
This model airplane is a new design airplane that can be flown in both indoor and outdoor conditions. It is designed to be flown in both indoor and outdoor conditions.

**EXPERIMENTAL INSTRUCTIONS**  
This model airplane is a new design airplane that can be flown in both indoor and outdoor conditions. It is designed to be flown in both indoor and outdoor conditions.

**EXPERIMENTAL INSTRUCTIONS**  
This model airplane is a new design airplane that can be flown in both indoor and outdoor conditions. It is designed to be flown in both indoor and outdoor conditions.

**EXPERIMENTAL INSTRUCTIONS**  
This model airplane is a new design airplane that can be flown in both indoor and outdoor conditions. It is designed to be flown in both indoor and outdoor conditions.

**EXPERIMENTAL INSTRUCTIONS**  
This model airplane is a new design airplane that can be flown in both indoor and outdoor conditions. It is designed to be flown in both indoor and outdoor conditions.

**EXPERIMENTAL INSTRUCTIONS**  
This model airplane is a new design airplane that can be flown in both indoor and outdoor conditions. It is designed to be flown in both indoor and outdoor conditions.

**EXPERIMENTAL INSTRUCTIONS**  
This model airplane is a new design airplane that can be flown in both indoor and outdoor conditions. It is designed to be flown in both indoor and outdoor conditions.



# GRUMMAN F8F-1B BEARCAT

## Heavy armament fighter

**SPECIAL INSTRUCTIONS**  
Paint underside of wings and apply decals before fitting armament.

**BESONDERE ANWEISUNGEN**  
Vor Anbringung der Bewaffnung Unterseite der Tragflächen bemalen und Markierungen auflegen.

**CONSIGNES SPECIALES**  
Peindre le dessous des ailes et appliquer les décalcomanies avant de monter l'armement.

**SPECIALLE INSTRUKSIONER**  
Mal undersiden av vingene og sett overføringsbildene på før bevepningen settes på.

**ISTRUZIONI SPECIALI**  
Verniciare il disotto delle ali ed applicare le calcomanie prima di montare l'armamento.

**SPECIALA AANWIJZINGEN**  
Vóór het bevestigen van de bewapening eerst de onderkant van de vleugels verven en de kentekenen aanbrengen.

**INSTRUCCIONES ESPECIALES**  
Pinte la superficie inferior de las alas y aplique calcomanias antes de colocar el armamento.

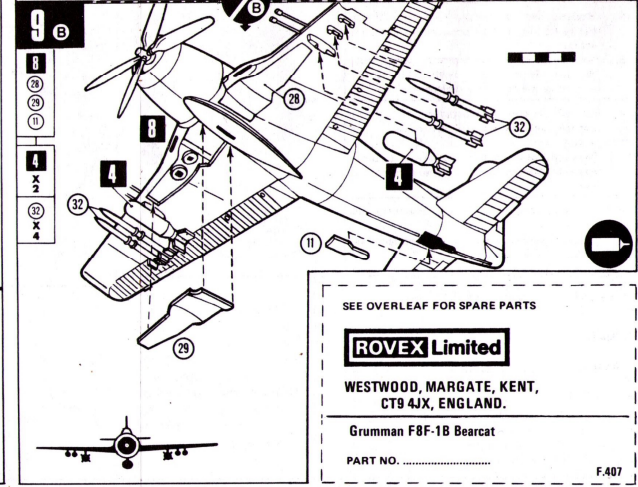
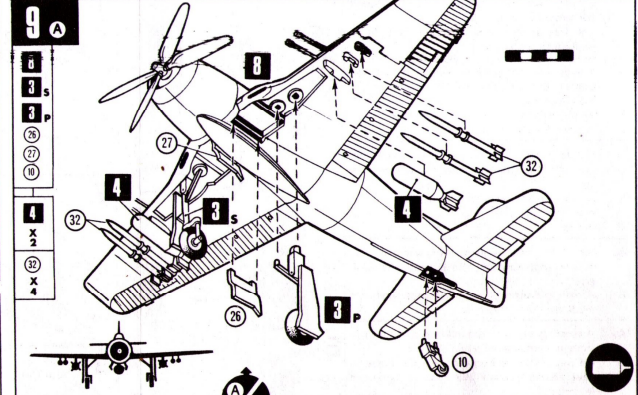
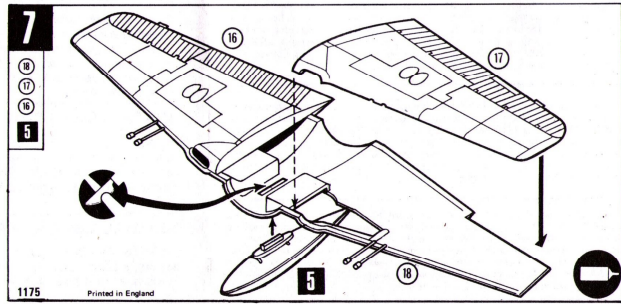
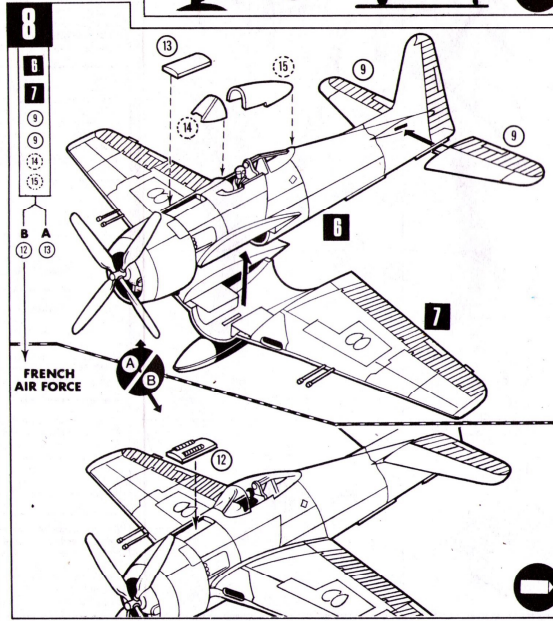
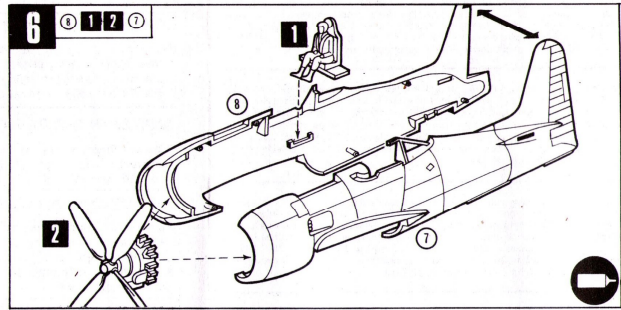
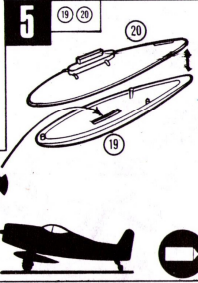
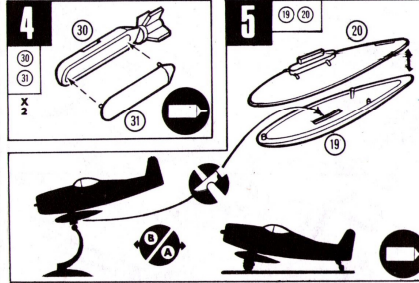
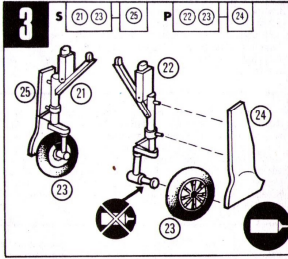
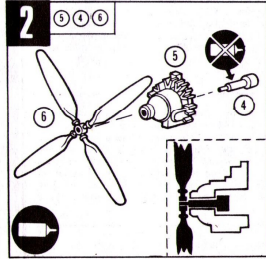
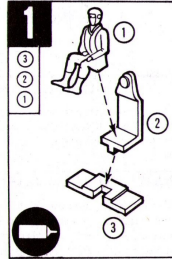
**ENKESKÖVSEDT**  
Målaa slipea alustat ja kiinnittää tunnusmerkit ennen aseistuksen asentamista.

**Cement parts together.**  
Teile zusammenkitzen.  
Coller les pièces ensemble.  
Lim defene sammen.  
Cementare le parti l'una con l'altra.  
Delen aan elkaar lijmen.  
Encole les pièces.  
Osat liimataan yhteen.

**Do not cement together.**  
Nicht zusammenkitzen.  
Ne pas coller ensemble.  
Lim ikke defene sammen.  
Non cementare le parti insieme.  
Niet vastlijmen.  
No encolie las piezas.  
Osia ei liimata yhteen.

**Cut with a sharp knife.**  
Mit scharfem Messer schneiden.  
Couper avec un canif tranchant.  
Skjær med en skarp kniv.  
Tagliare con un coltello affilato.  
Met een scherp mes snijden.  
Corte con un cuchillo afilado.  
Leikataks terävällä veitsellä.

**Alternatives.**  
Wahlmöglichkeiten.  
Alternatives.  
Alternativer.  
Alternatives.  
Andere mogelijkheden.  
Alternatives.  
Valhtoehdot.



SEE OVERLEAF FOR SPARE PARTS

**ROVEX Limited**

WESTWOOD, MARGATE, KENT,  
CT9 4JX, ENGLAND.

Grumman F8F-1B Bearcat

PART NO. ....

F407-9400

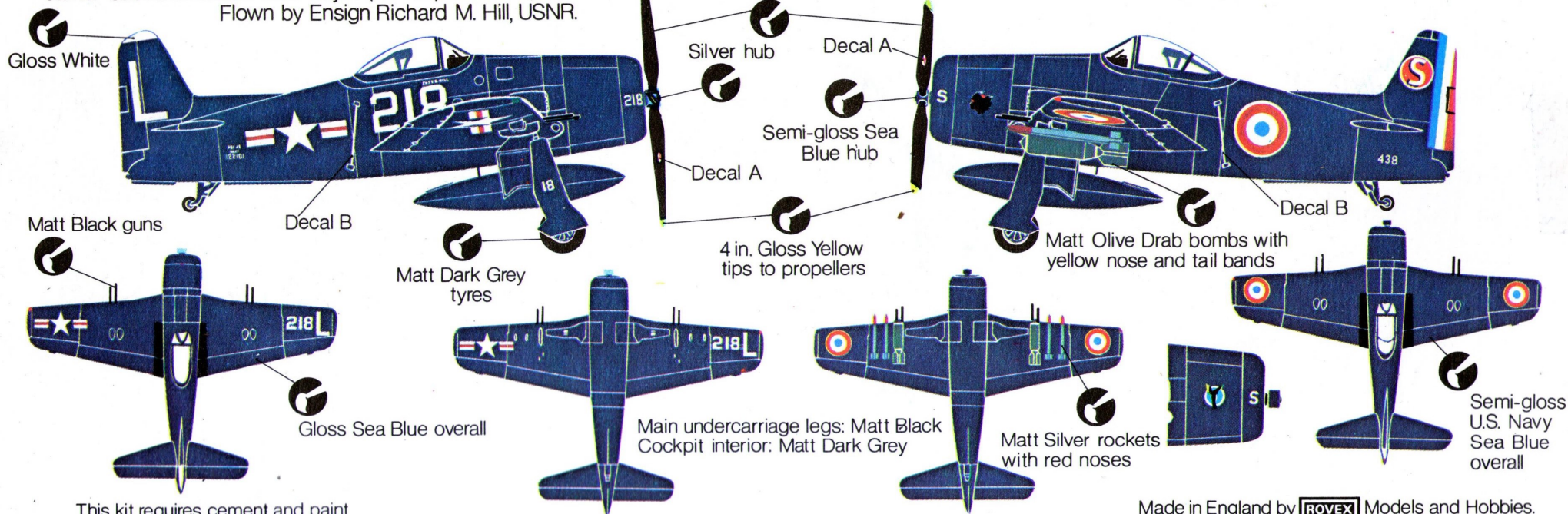
1175 Printed in England

F.407

# Grumman F8F-1B Bearcat

VF-72, U.S. Navy. NAS Quonset Point, Rhode Island, USA, and carrier based on board USS Leyte (CV-32). 1950  
Flown by Ensign Richard M. Hill, USNR.

GC1/21 "ARTOIS", French Air Force, Bac-Mai (Hanoi), Vietnam, 1952.  
Flown by Capitaine Faure.



This kit requires cement and paint

Made in England by **ROVEX** Models and Hobbies.