

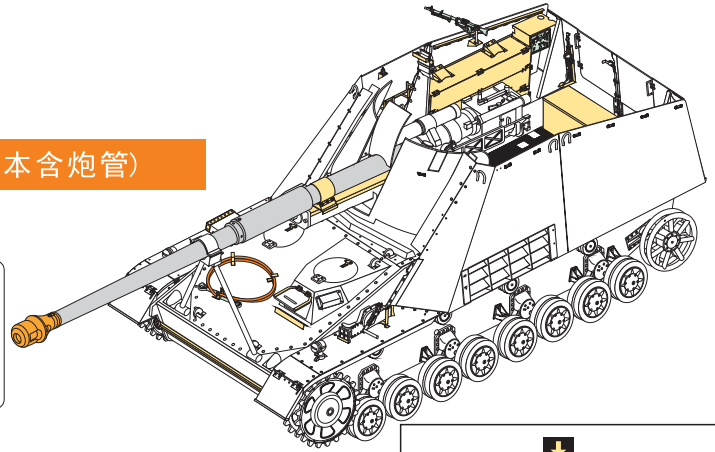
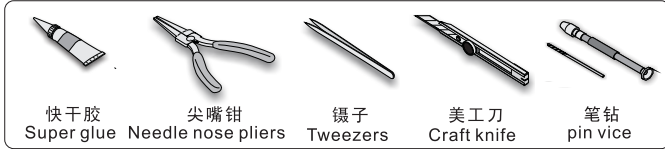
1/35 MILITARY MINIATURE VEHICLE UPGRADE SERIES PE35680

## WWII German Sd.Kfz. 164 Nashorn (B ver include Gun barrel )

二战德军“犀牛”自行反坦克炮改造件(B版本含炮管)

[For TAMIYA 35335]

**推荐使用工具 RECOMMENDED TOOLS**



安装 install	折叠 bend	<b>A1</b> 改造件零件编号 PE/resin part number	<b>B12</b> 原零件编号 kit part number	<b>C22</b> 被替换的原零件编号 replaced kit part number	另一侧相同制作 repeat on opposite side
切除 remove	打磨 grind off	弧度卷曲 radial bending	<b>x2</b> 制作若干组 multiple assembly	选择安装 alternative	钻孔 drill
					用胶棒制作 make from plastic rod

用尖端在凹槽处冲压  
use penpoint to press on the dent

蚀刻片零件内侧面向上  
Put the part upside down

用笔尖在凹槽处刺  
Use penpoint to press on the dent

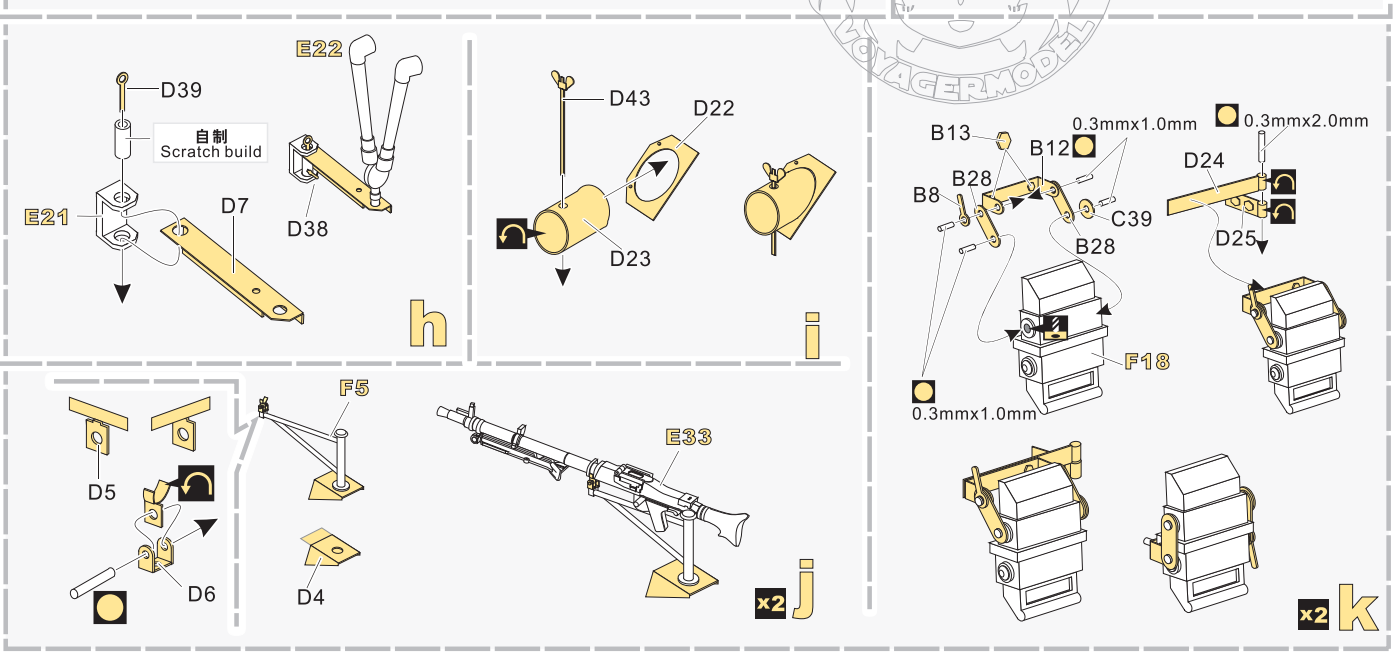
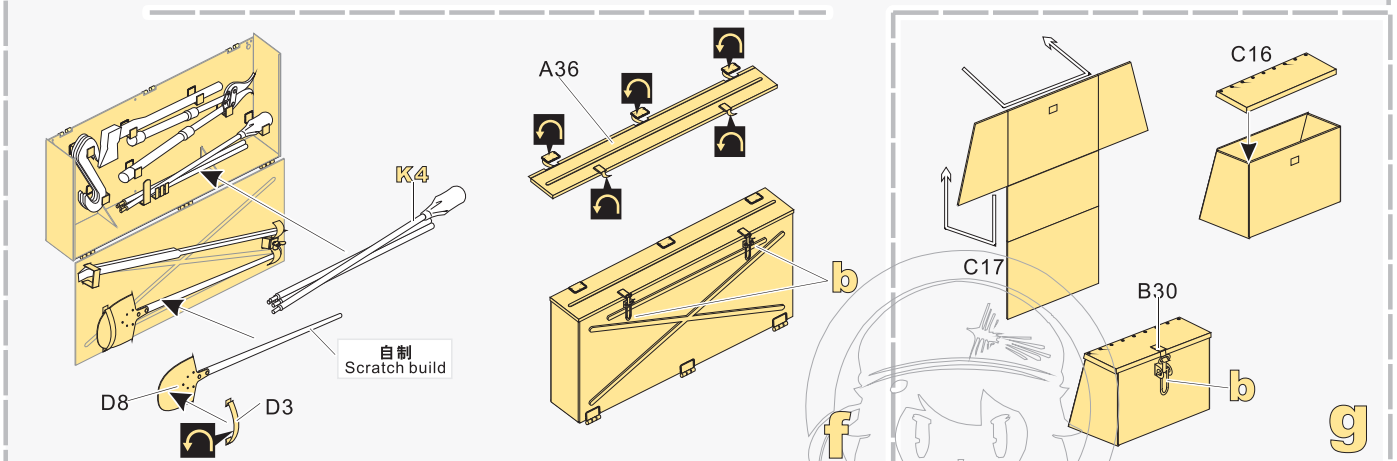
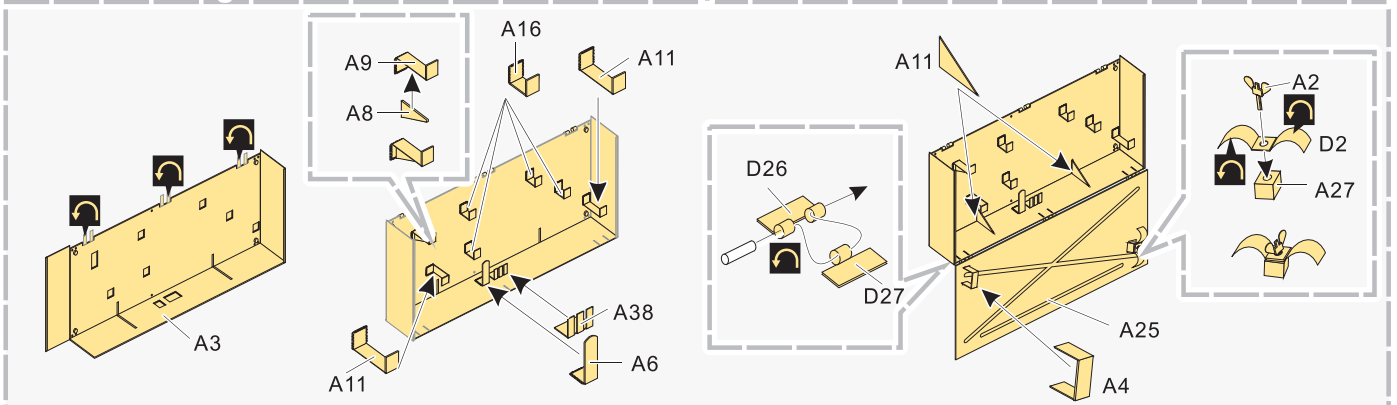
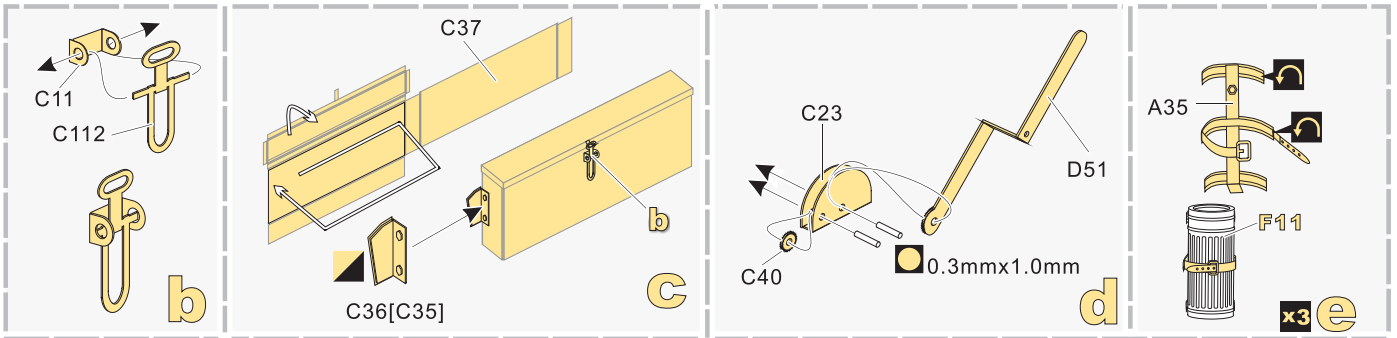
金属件 Metal part   T3, T6

金属件 Metal part

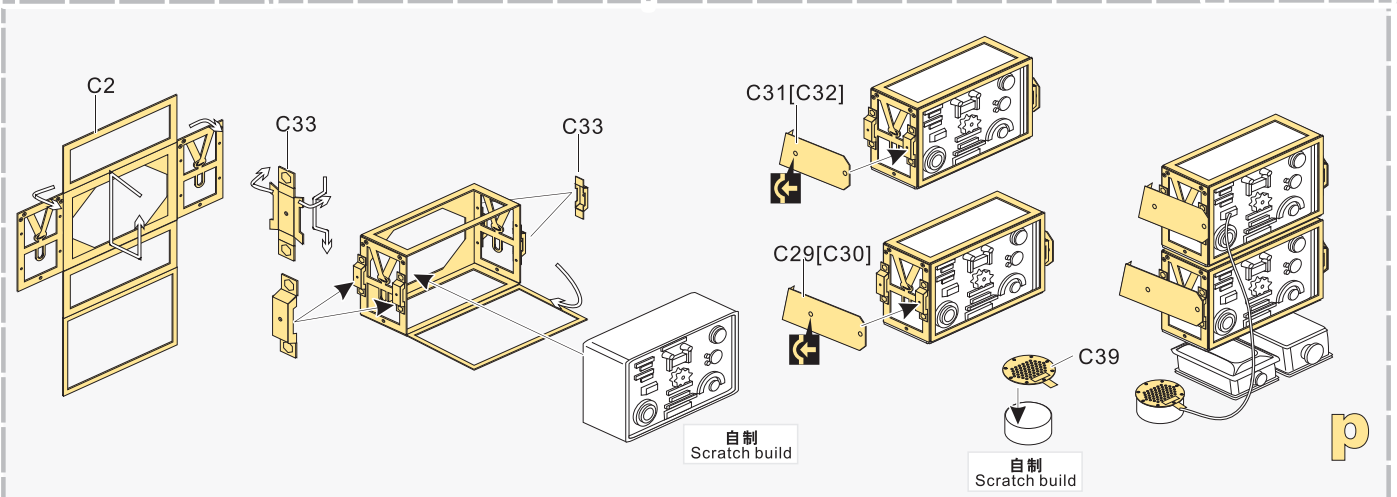
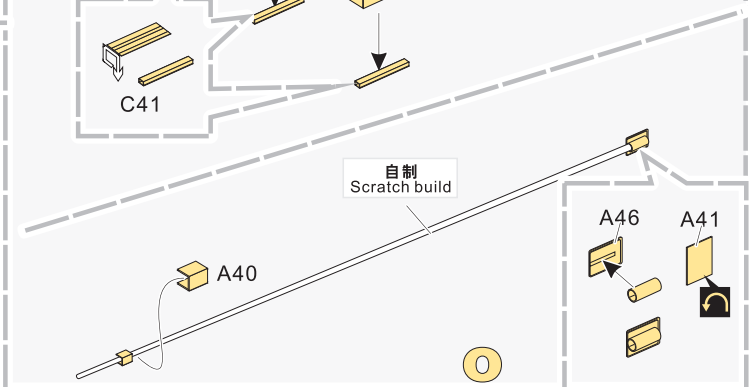
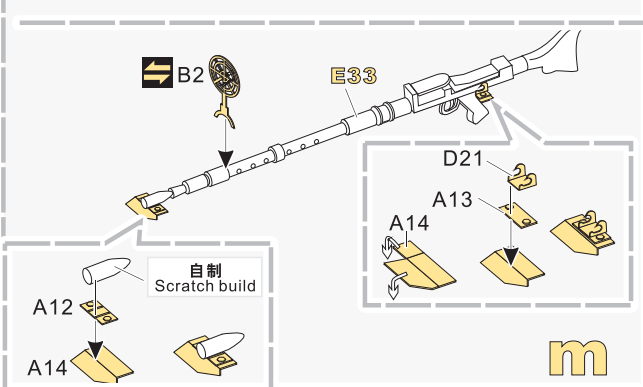
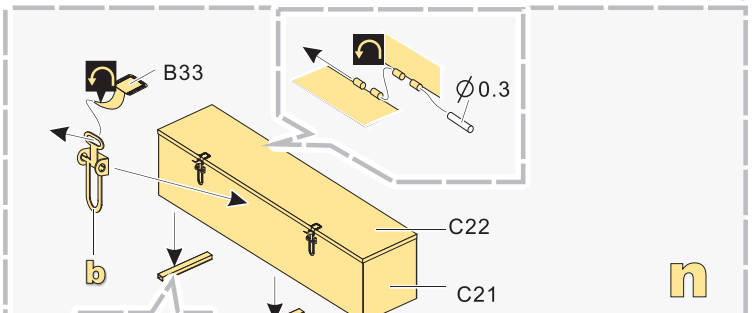
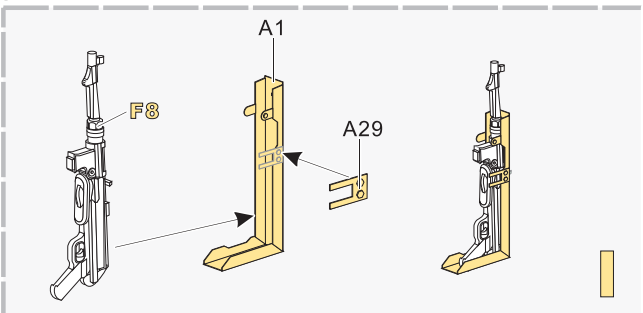
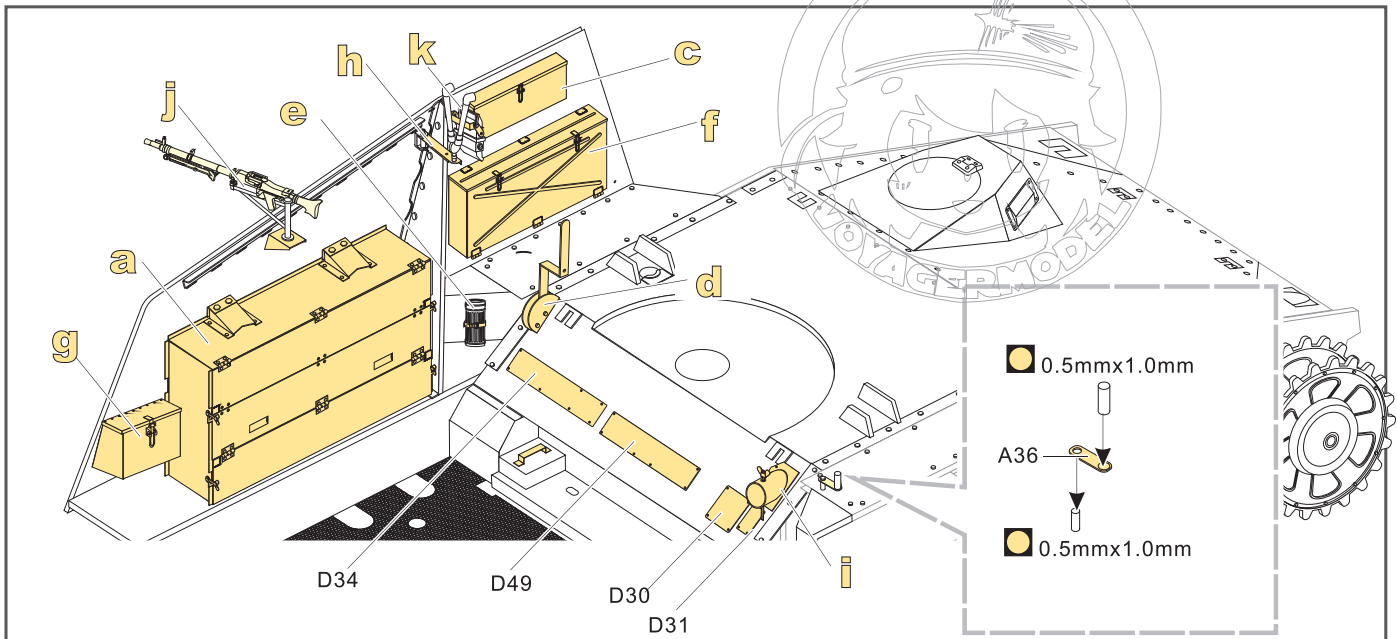
安装示例  
Typical installation

**x2 a**

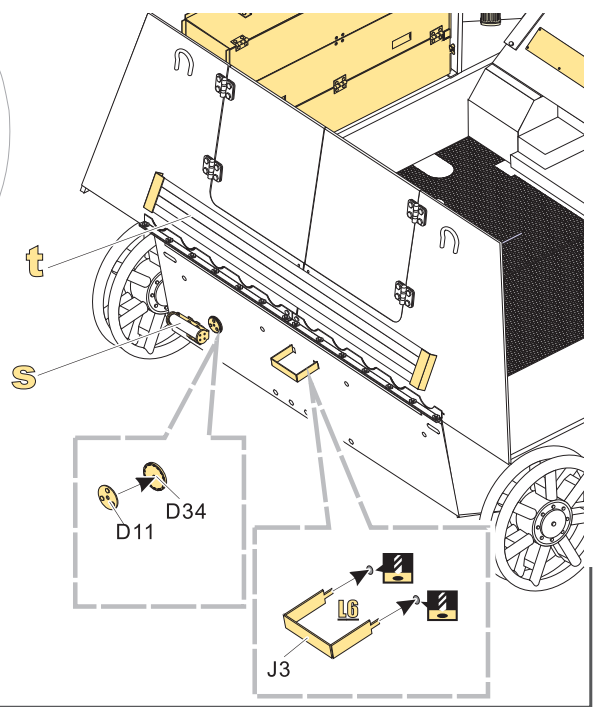
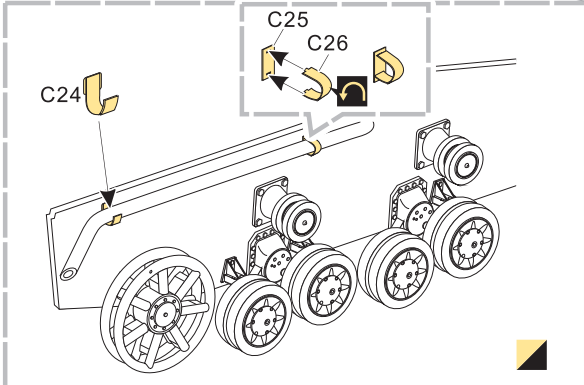
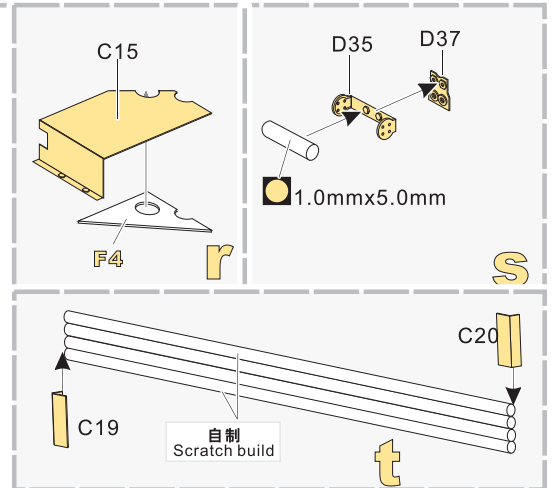
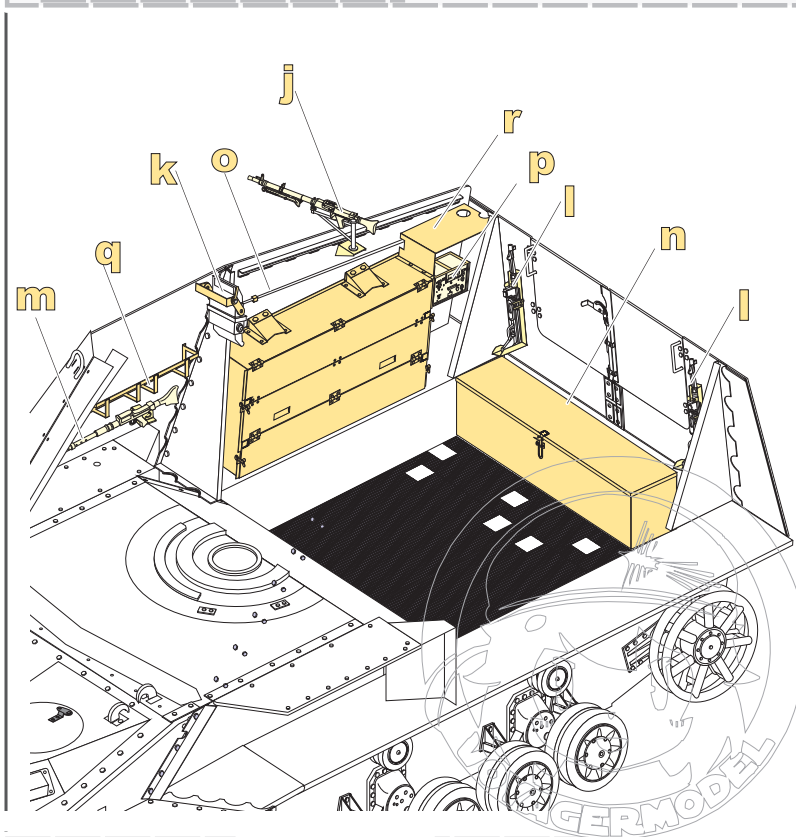
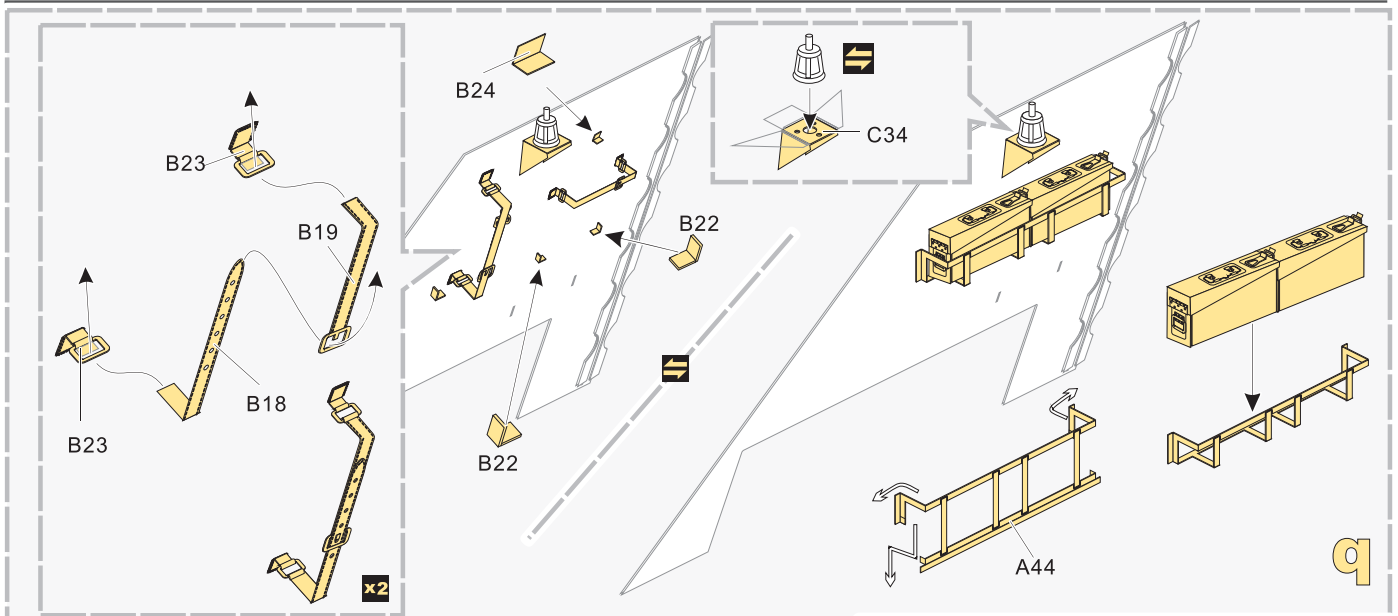
1/35 MILITARY MINIATURE VEHICLE UPGRADE SERIES PE35680



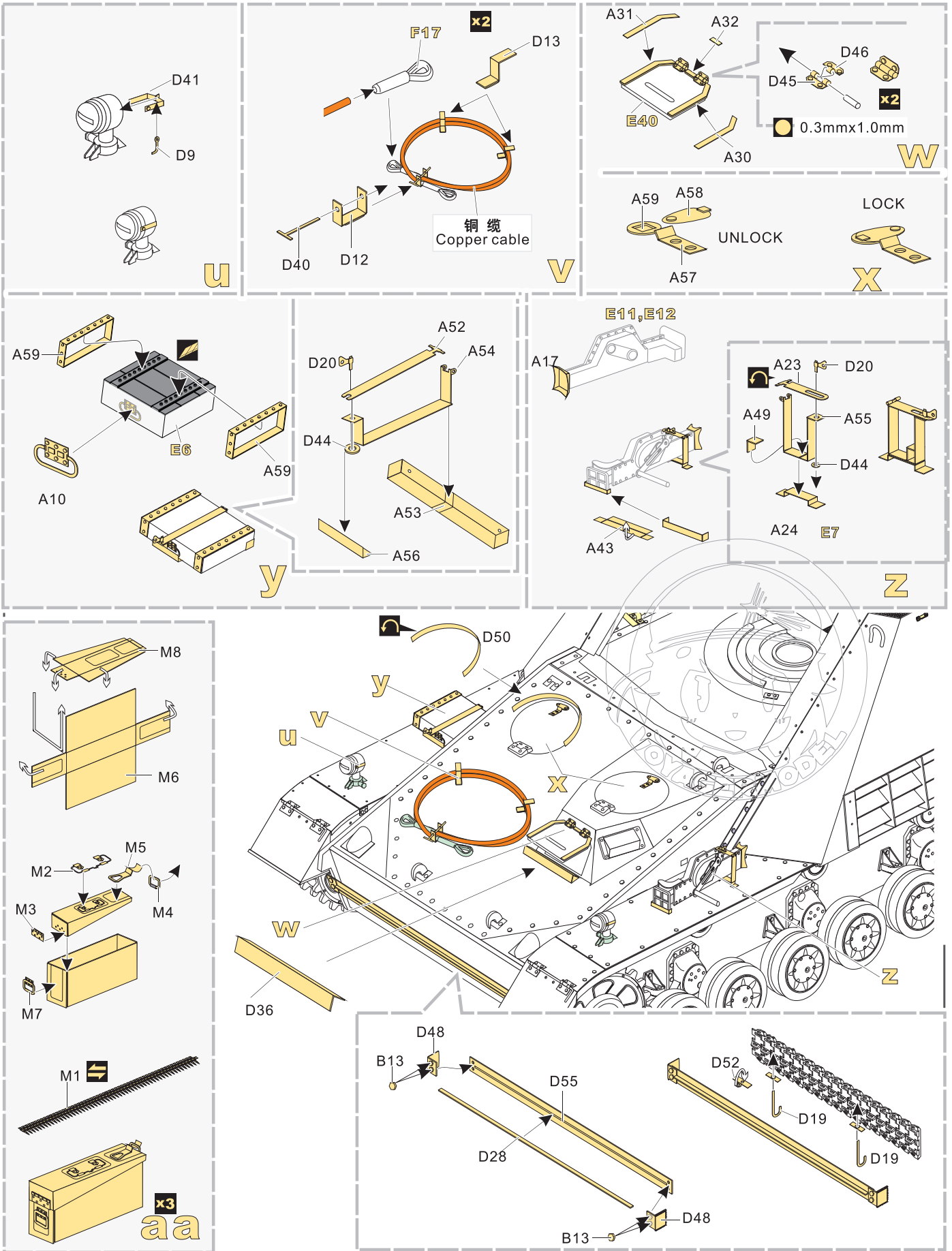
1/35 MILITARY MINIATURE VEHICLE UPGRADE SERIES PE35680



1/35 MILITARY MINIATURE VEHICLE UPGRADE SERIES PE35680

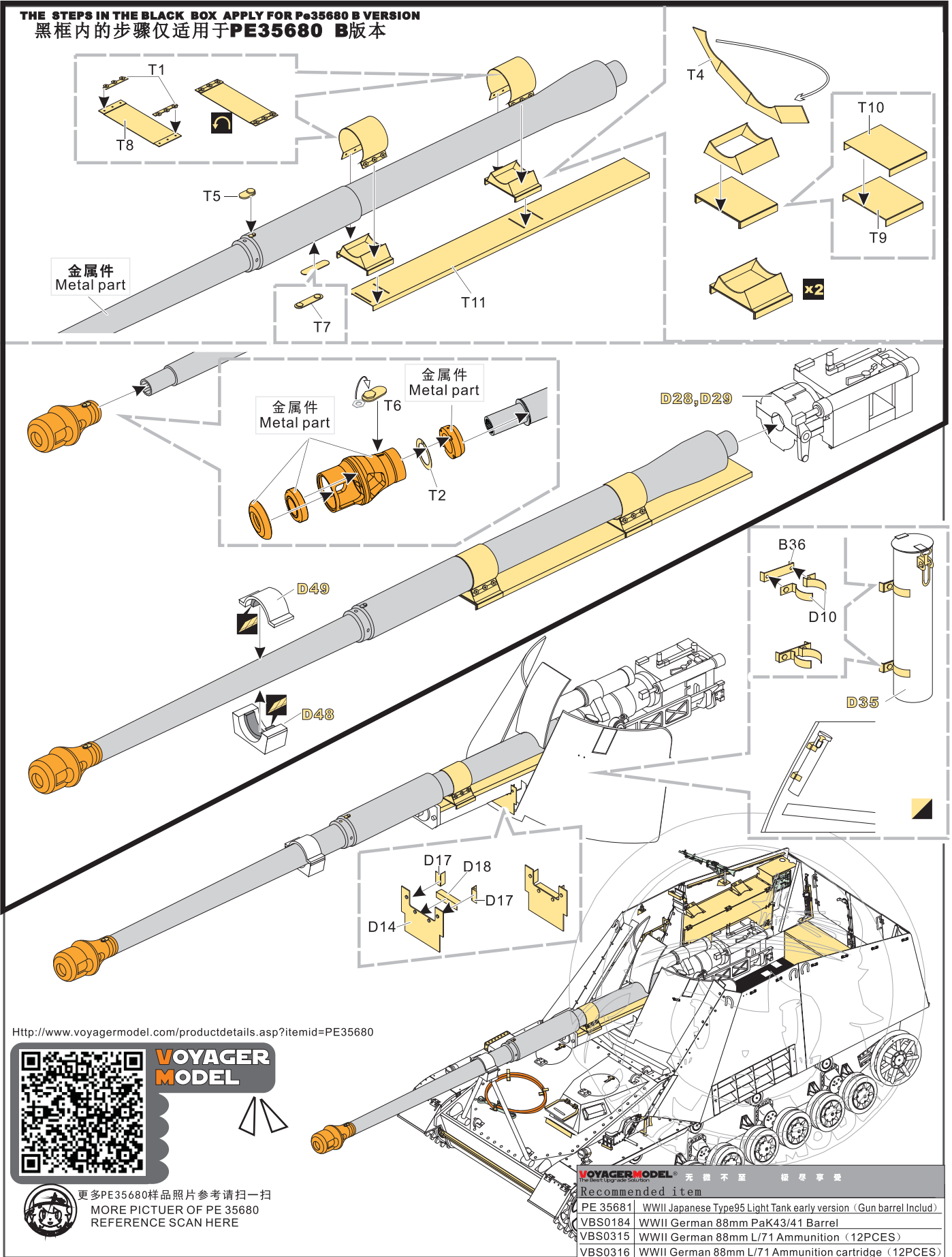


1/35 MILITARY MINIATURE VEHICLE UPGRADE SERIES PE35680



1/35 MILITARY MINIATURE VEHICLE UPGRADE SERIES PE35680

**THE STEPS IN THE BLACK BOX APPLY FOR PE35680 B VERSION**  
黑框内的步骤仅适用于**PE35680 B版本**



[Http://www.voyagermodel.com/productdetails.asp?itemid=PE35680](http://www.voyagermodel.com/productdetails.asp?itemid=PE35680)



**VOYAGER  
MODEL**



更多PE35680样品照片参考请扫一扫  
MORE PICTUER OF PE 35680  
REFERENCE SCAN HERE

VOYAGERMODEL® 无微不至 极尽享受

**Recommended item**

PE 35681	WWII Japanese Type95 Light Tank early version (Gun barrel Includ)
VBS0184	WWII German 88mm PaK43/41 Barrel
VBS0315	WWII German 88mm L/71 Ammunition (12PCES)
VBS0316	WWII German 88mm L/71 Ammunition cartridge (12PCES)