

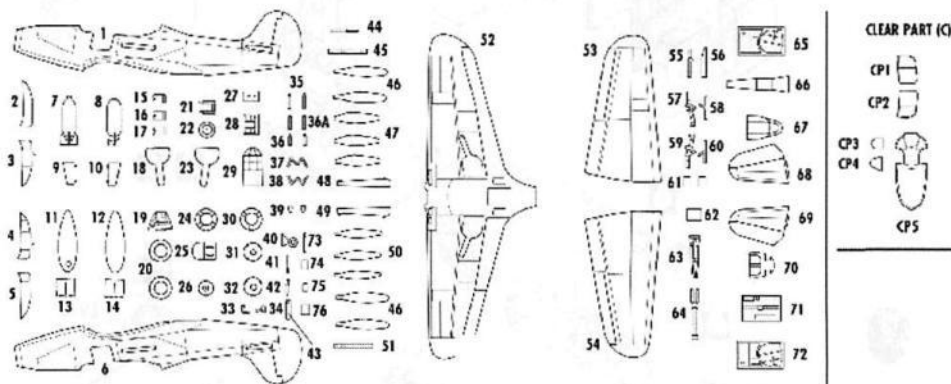
P-400 Airacobra

Americký stíhací letoun / American WW II fighter

The Airacobra entered first service with the RAF in October 1941. Only one RAF squadron ever received the Airacobra. No.601 "City of London" The Airacobra's brief RAF combat career lasted from 9-11 October 1941. No.601 Squadron sent its four airworthy aircraft on two fighter sweeps to France. Only eighty of the British Airacobras were assembled for the RAF. Of the remaining aircraft around 200 were quickly dispatched to the Soviet Union while the rest remained in the United States, and as the P-400 fought on New Guinea and Guadalcanal.



92218



CLEAR PART (C)

CP1

CP2

CP3

CP4

CP5

LEGEND



otnout
bend



všechnové lepidlo
cyanokrystalic glue



odstranit
remove



upravit
reduce



vrtat
open hole



vyrobit
scratch build



oblésk
decal



barva
color



fillet

COLORS



Černá
Black



Červená
Red



Intenzivní žlutá
Zinc Chromite
Yellow primer



Bílá
White



Soft žlutá
Soft
Yellow



Žlutá
Yellow



Plavá
Titan
Titanium



Pneumatiky
Tyres Black



Kůže
Leather



Kرز
Rice



Hřivková
Mumi-um



Emeraldová
Dark Grey



Chromová
Chrome



Křovina
Guns acid

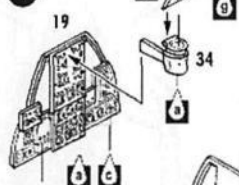


Olivová
Olive



Intenzivní zelená
Zinc Chromite
green

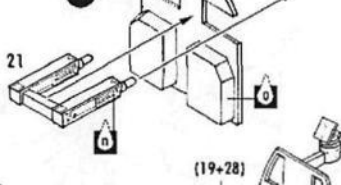
STEP 1



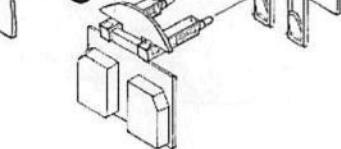
STEP 2

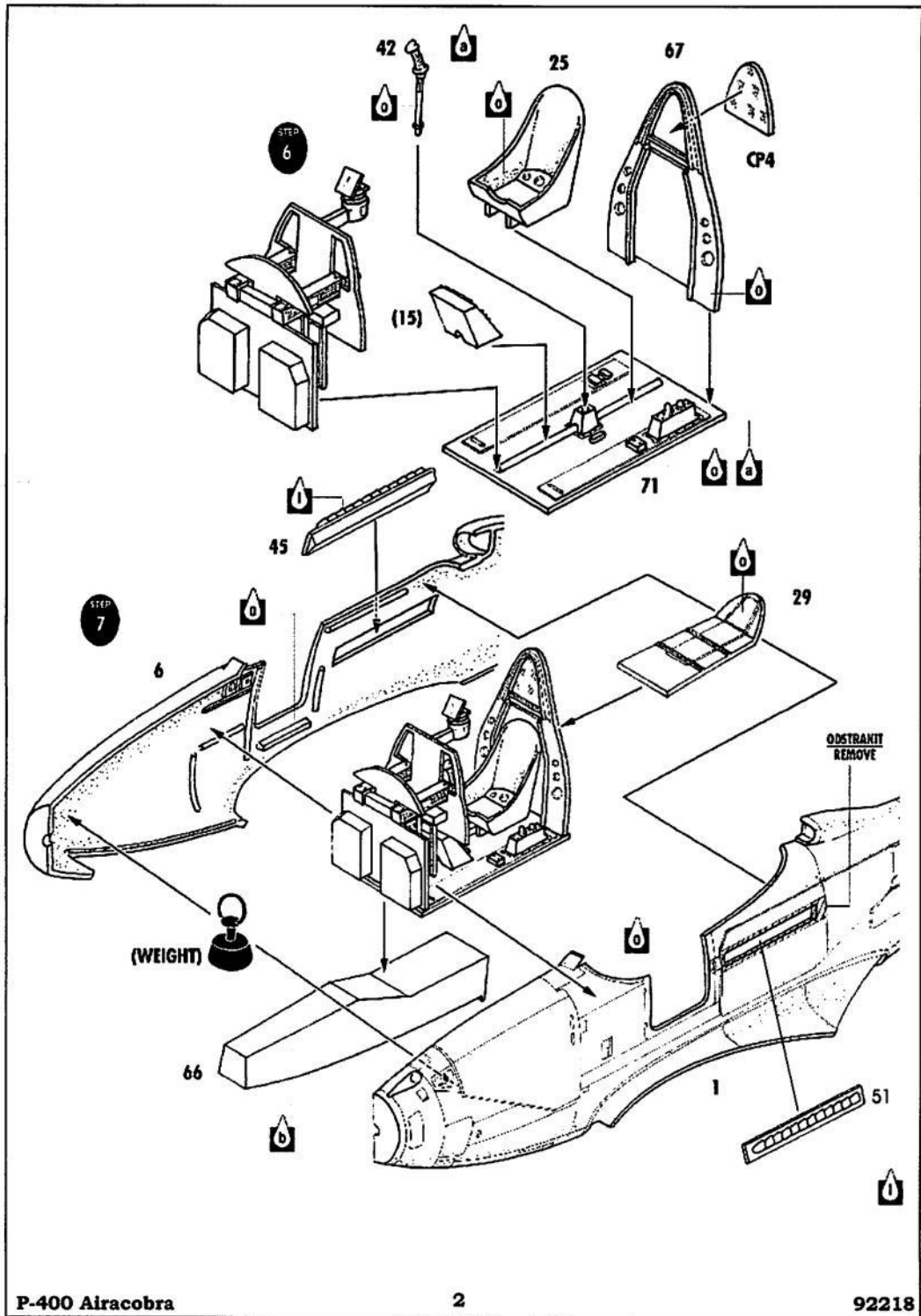


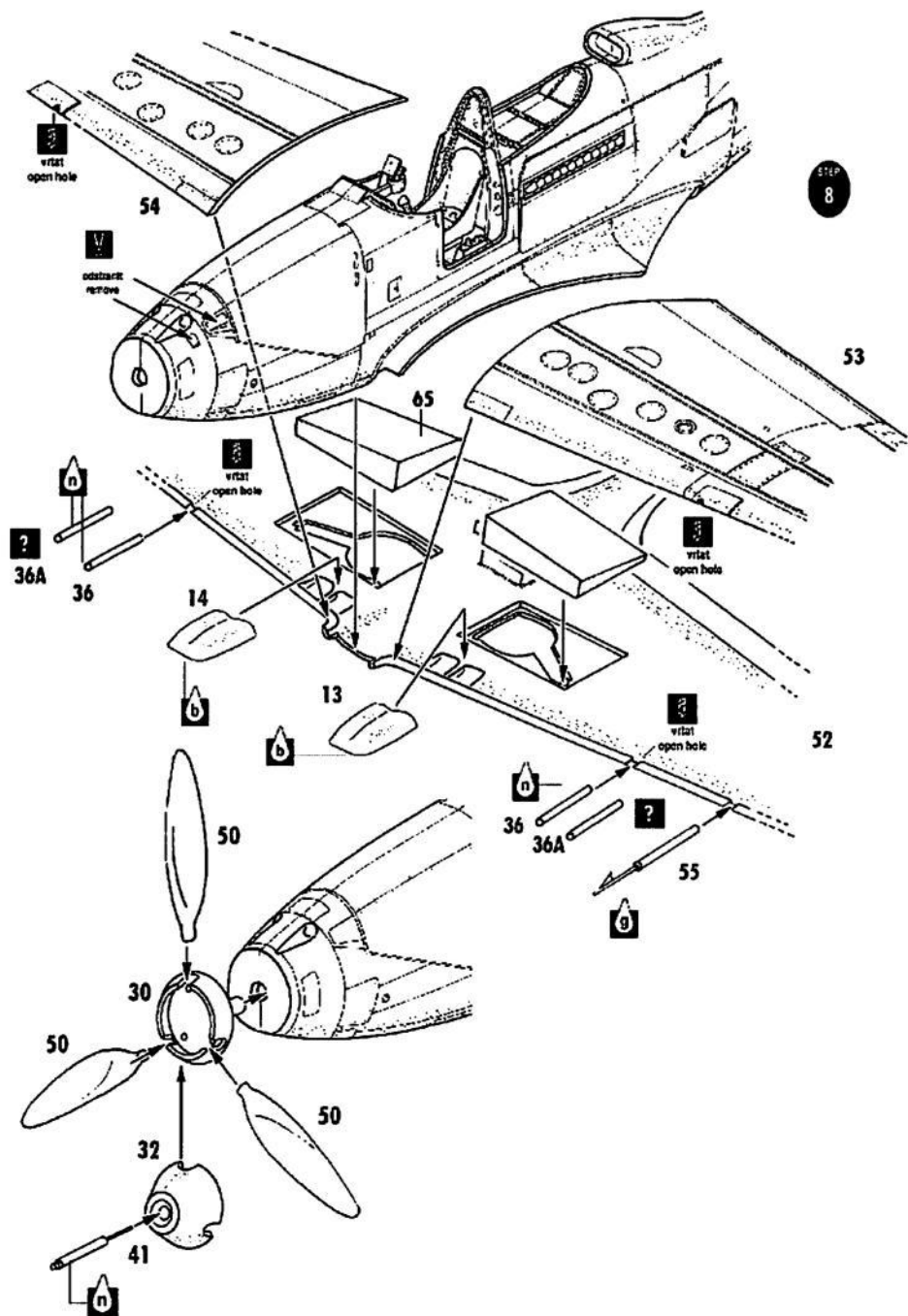
STEP 3



STEP 4

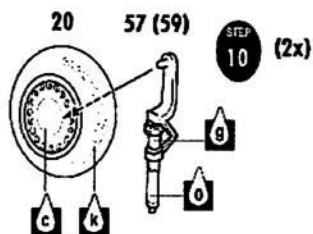




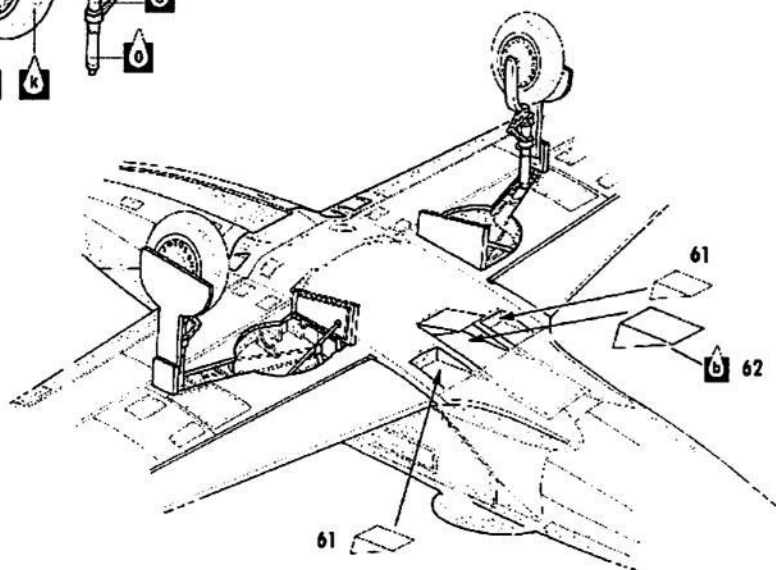


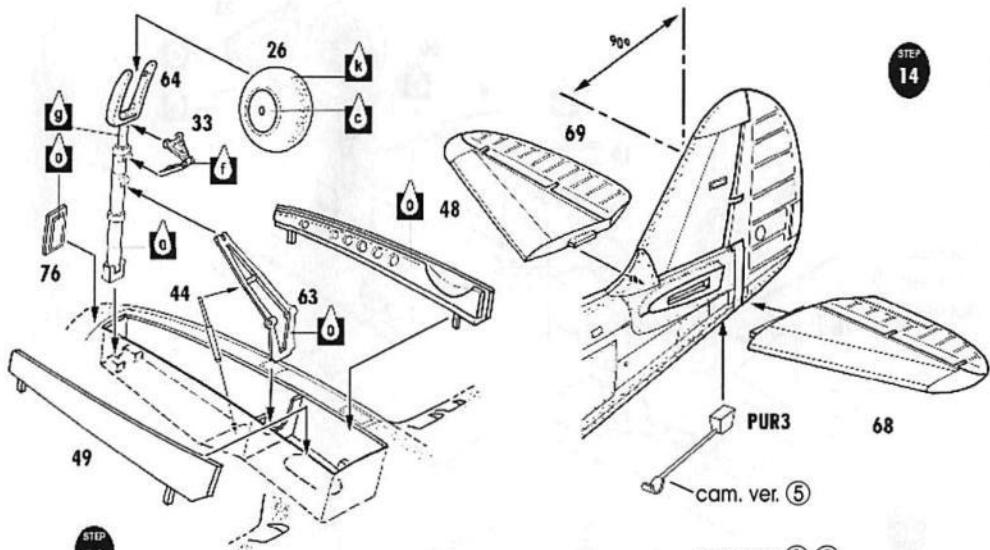
Nepoužit u
cam. ver. ⑤
Not use

STEP
11



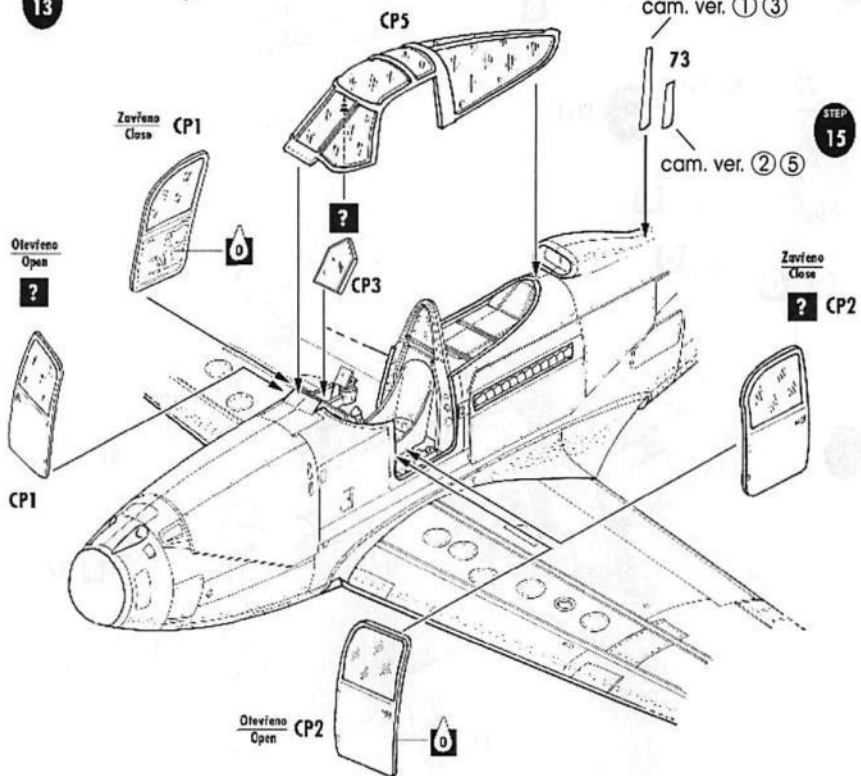
STEP
12





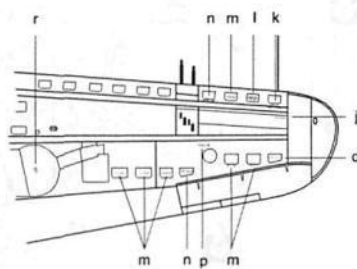
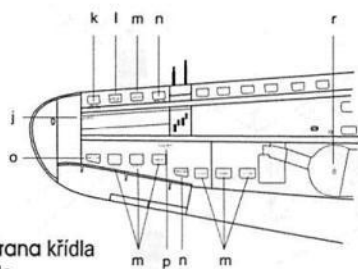
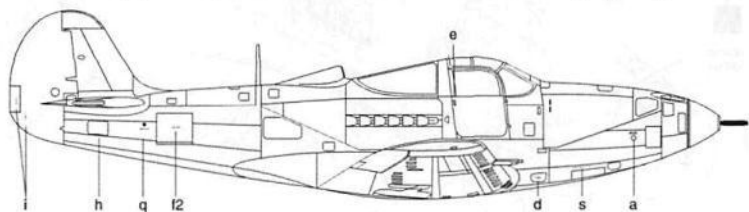
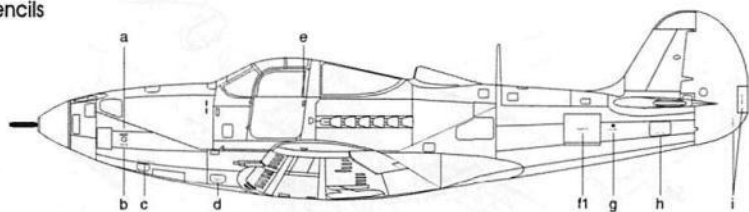
STEP
13

STEP
14

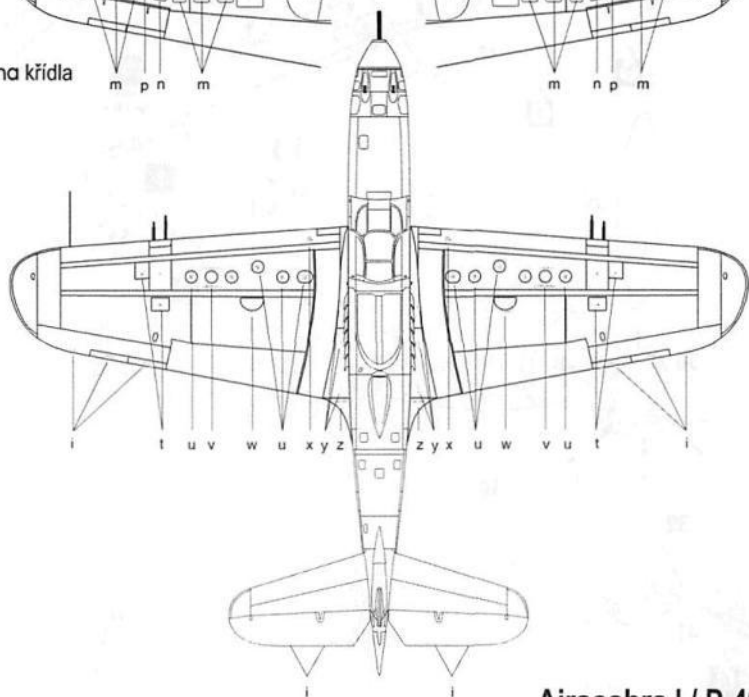


STEP
15

Popisky / Stencils



Spodní strana křídla
Under side



Airacobra I / P-40

Americký stíhací letoun / American WW II fighter