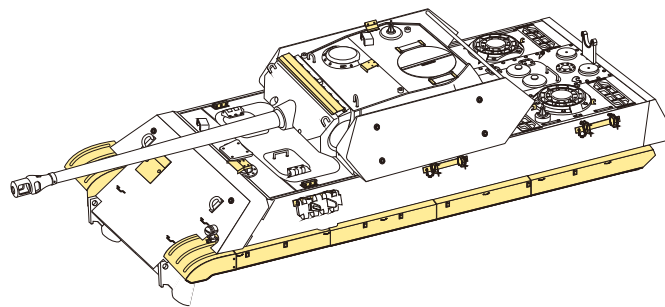


1/35 MILITARY MINIATURE VEHICLE UPGRADE SERIES PE35339

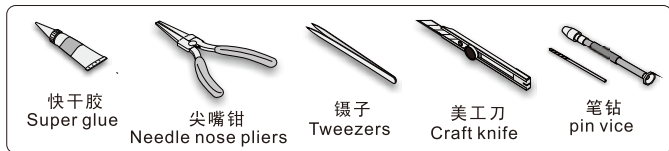
WWII German ERSATZ M10

二战德军伪装M10型改造件

[For DRAGON 6561]



推荐使用工具 RECOMMENDED TOOLS



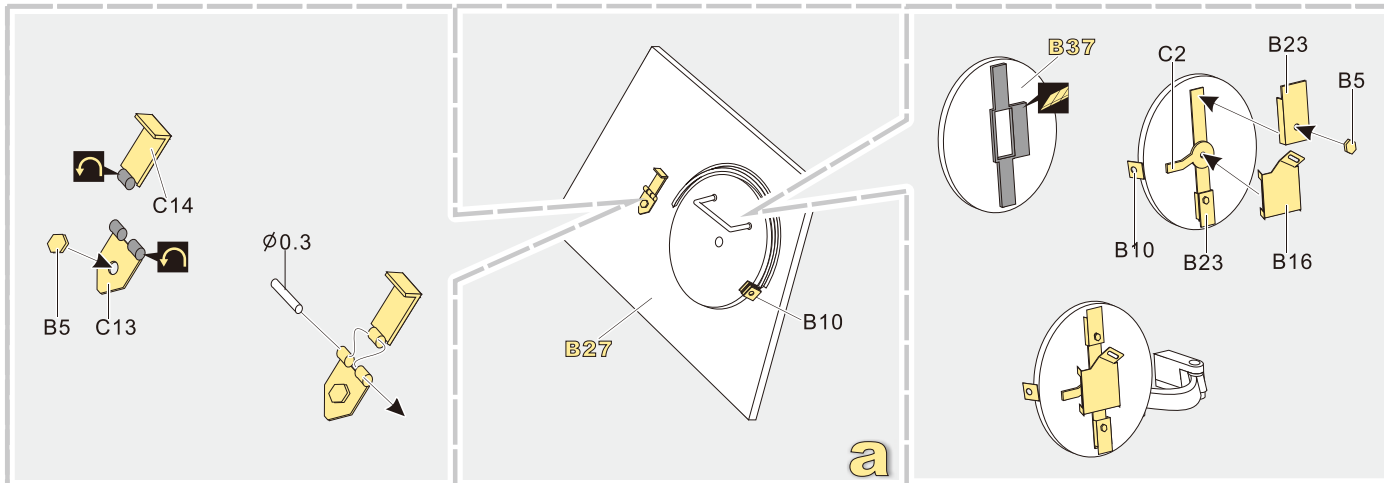
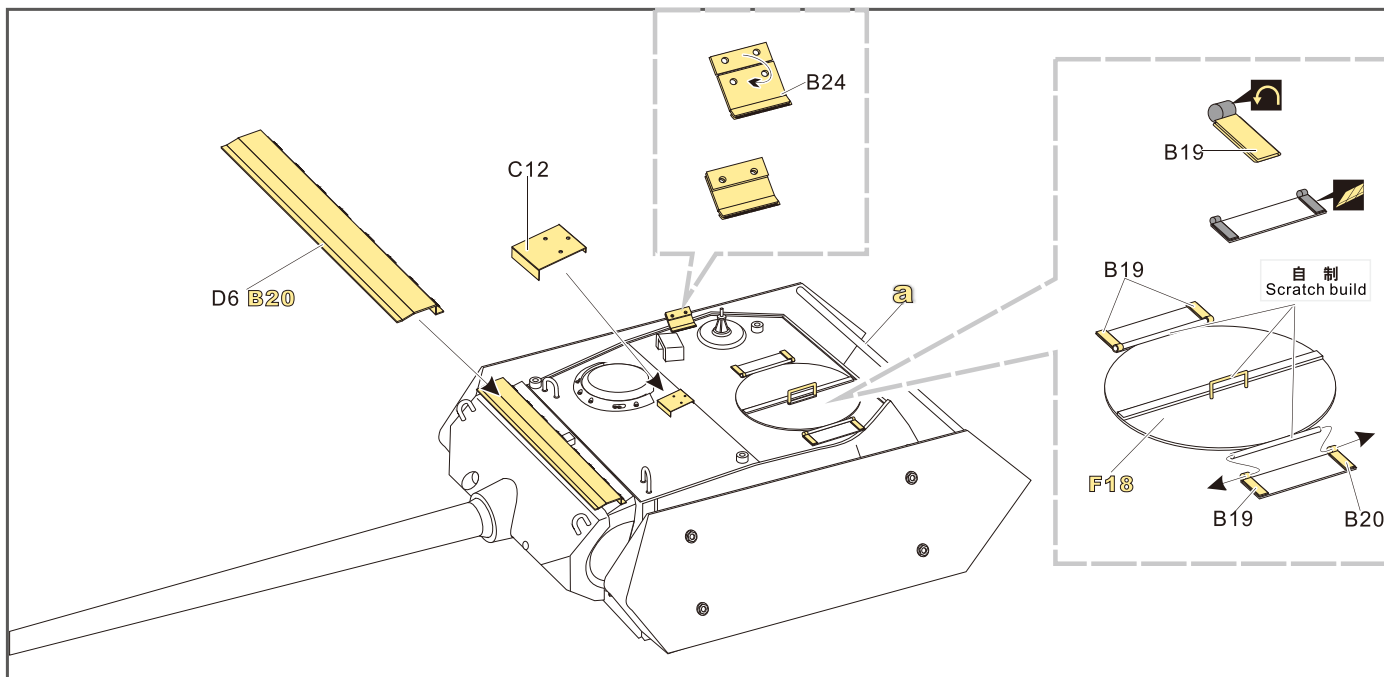
- 安装 install
- 折叠 bend
- A1** 改造件零件编号 PE/resin part number
- C22** 被替换的原零件编号 replaced kit part number
- B12** 原零件编号 kit part number
- 打磨 grind off
- 弧度卷曲 radial bending
- x2** 制作若干组 multiple assembly
- 选择安装 alternative
- 注意 caution
- 扩孔 ream
- 钻孔 drill
- 填补 fill
- 另一侧相同制作 repeat on opposite side
- 切除 remove

用尖端在凹槽处冲压 use penpoint to press on the dent

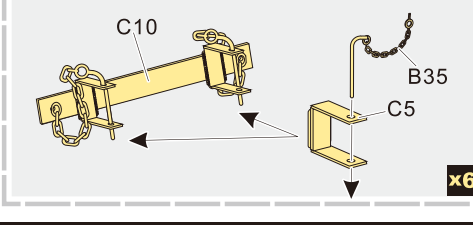
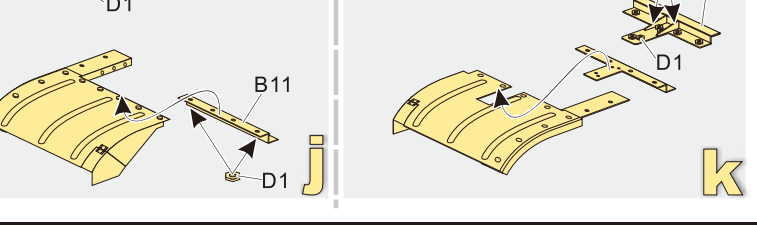
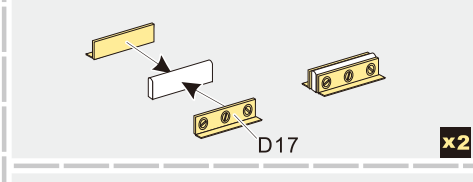
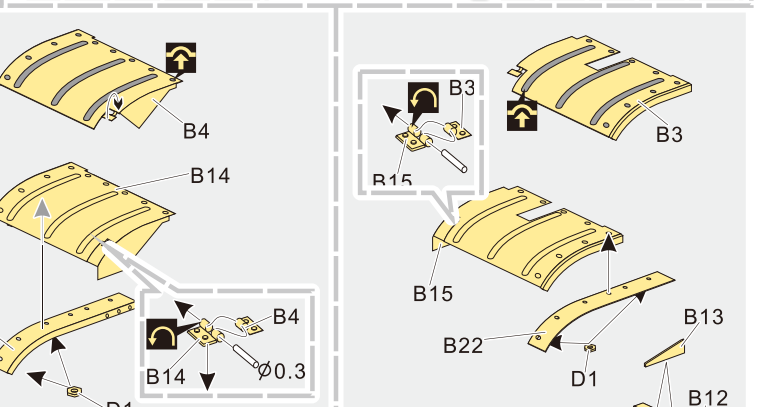
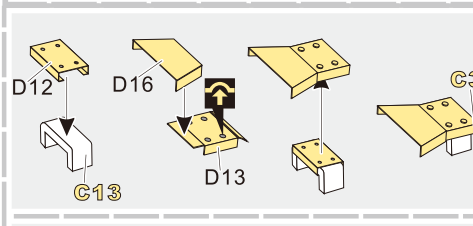
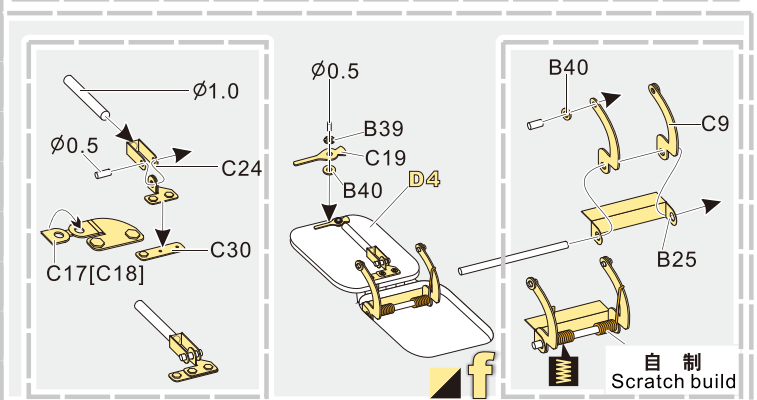
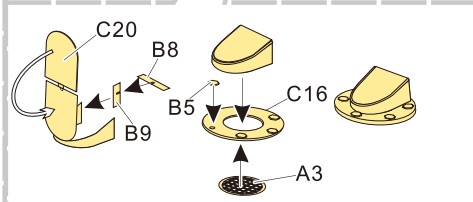
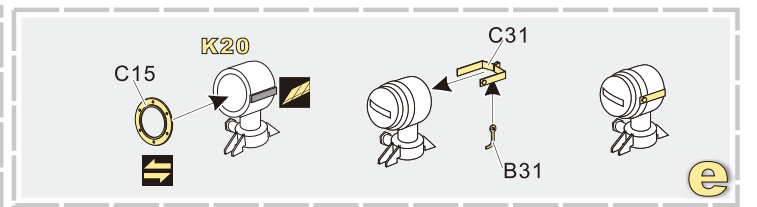
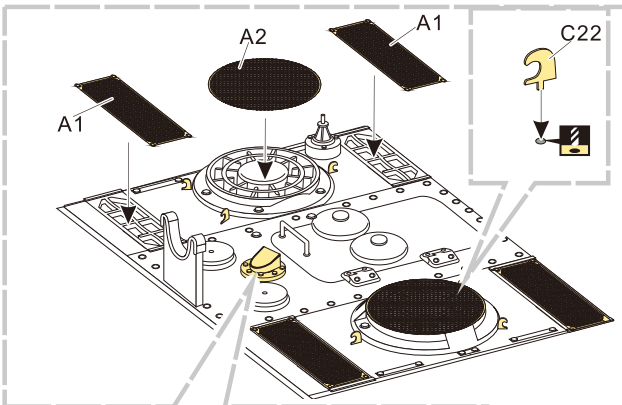
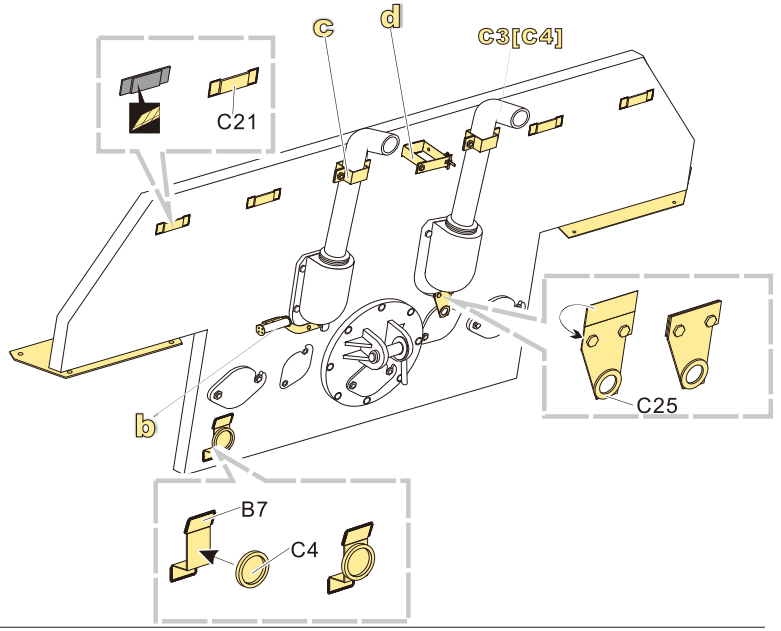
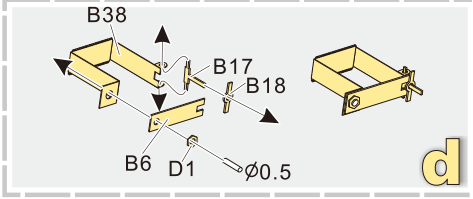
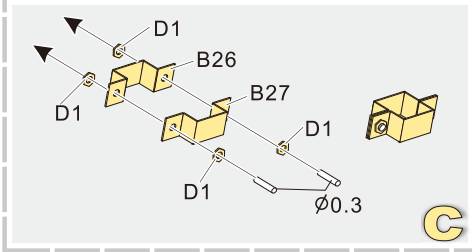
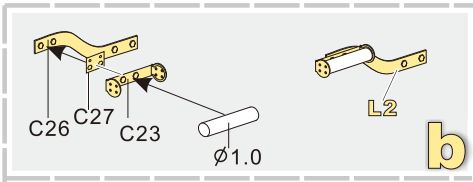
蚀刻片零件内侧面向上 Put the part upside down

用笔尖在凹槽处刺 Use penpoint to press on the dent.

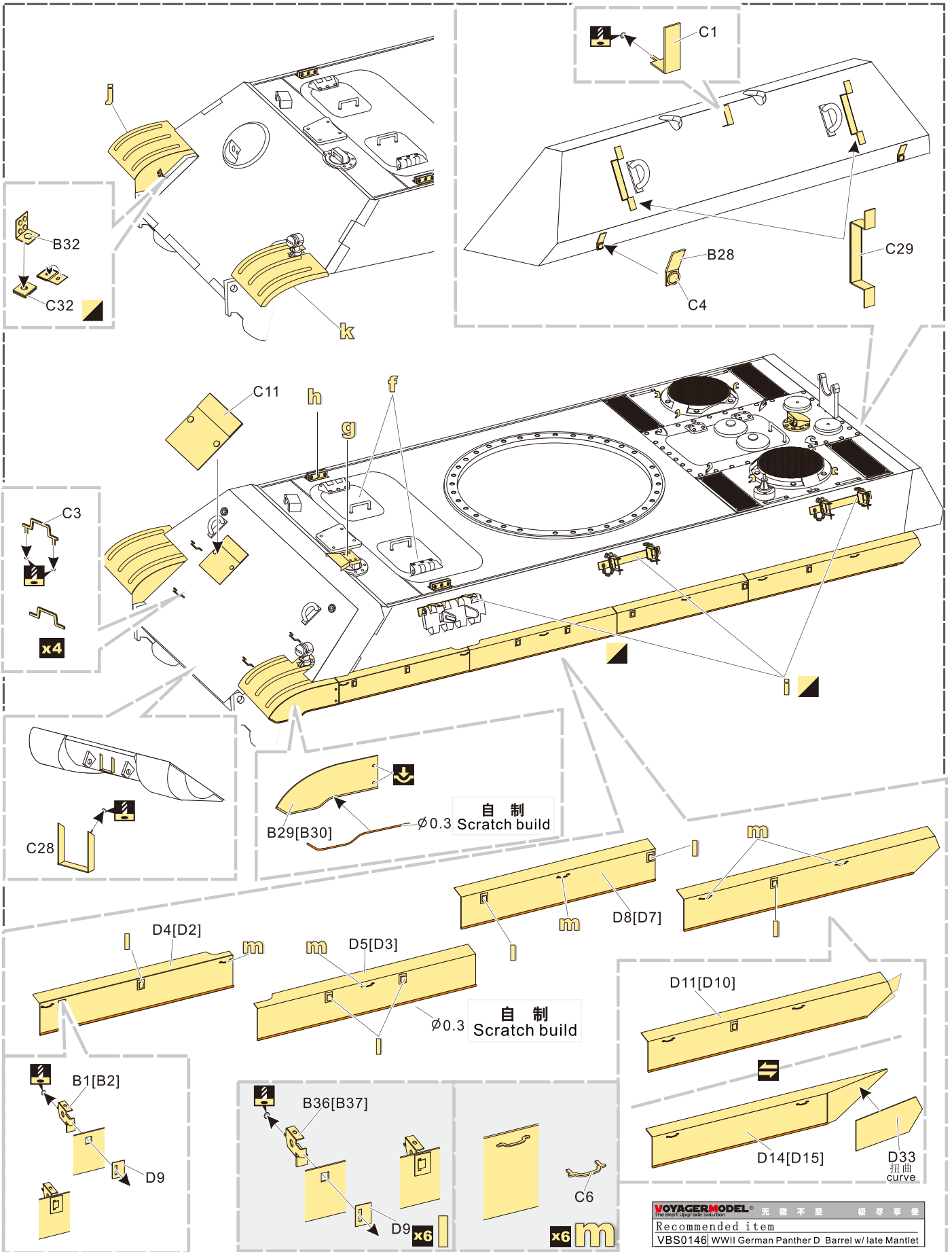
制作线圈 make coil



1/35 MILITARY MINIATURE VEHICLE UPGRADE SERIES PE35339



1/35 MILITARY MINIATURE VEHICLE UPGRADE SERIES PE35339



VOYAGERMODEL® 无限不至 极尽享受
The Best Upgrade Solution
Recommended item
VBS0146 WWII German Panther D Barrel w/ late Mantlet