

IMAI 1/24 SCALE  
SUPER DETAILED MODEL

# AUSTIN FX4 LONDON TAXI

One of Two Most Familiar Cars in Streets of London along with Red Double-Deck Bus.

Called the most beautiful taxicab in the world, Austin FX-4 has loyally stayed with the classic tall boxy profile that has its origin in a horse-drawn carriage more than three centuries ago.

This particular model, which was officially designated as standard taxicab model by Her Majesty's Government in 1958, surprisingly has almost the same basic styling as FX-3, which preceded it by 21 years. It is thus an embodiment of the British national character that holds fast to things of proven practical value.

The color of its body, which has until recently been only black by regulation, can now be any color. Today one sees the model in a variety of colors, such as red, yellow, green and blue.

**Chassis Nimble Enough to Turn in Narrow Corner, with Passenger Compartment Spacious Enough to Seat 5 Comfortably.**

The passenger compartment of FX-4 is tall enough to let a passenger with a bowler in without taking it off. The compartment is equipped with two auxiliary folding chairs facing the back seats large enough for three passengers. A glass partition separates it from the driver seat; the passenger paying the fare hands it through a side window of the driver compartment.

The driver seat is high, giving the occupant a good, sweeping view of the street. Despite its large chassis, its minimum turning radius is only 3.8m. (12.5 ft.), making it as nimble as a far smaller car.



FOR MOTORIZED MODELS ONLY

NUR FÜR MODELLE MIT MOTOR

POUR LES MODÈLES AVEC MOTEUR SEULEMENT

PER I MODELLI CON MOTORE SOLAMENTE

PARA MODELOS CON MOTOR SOLAMENTE

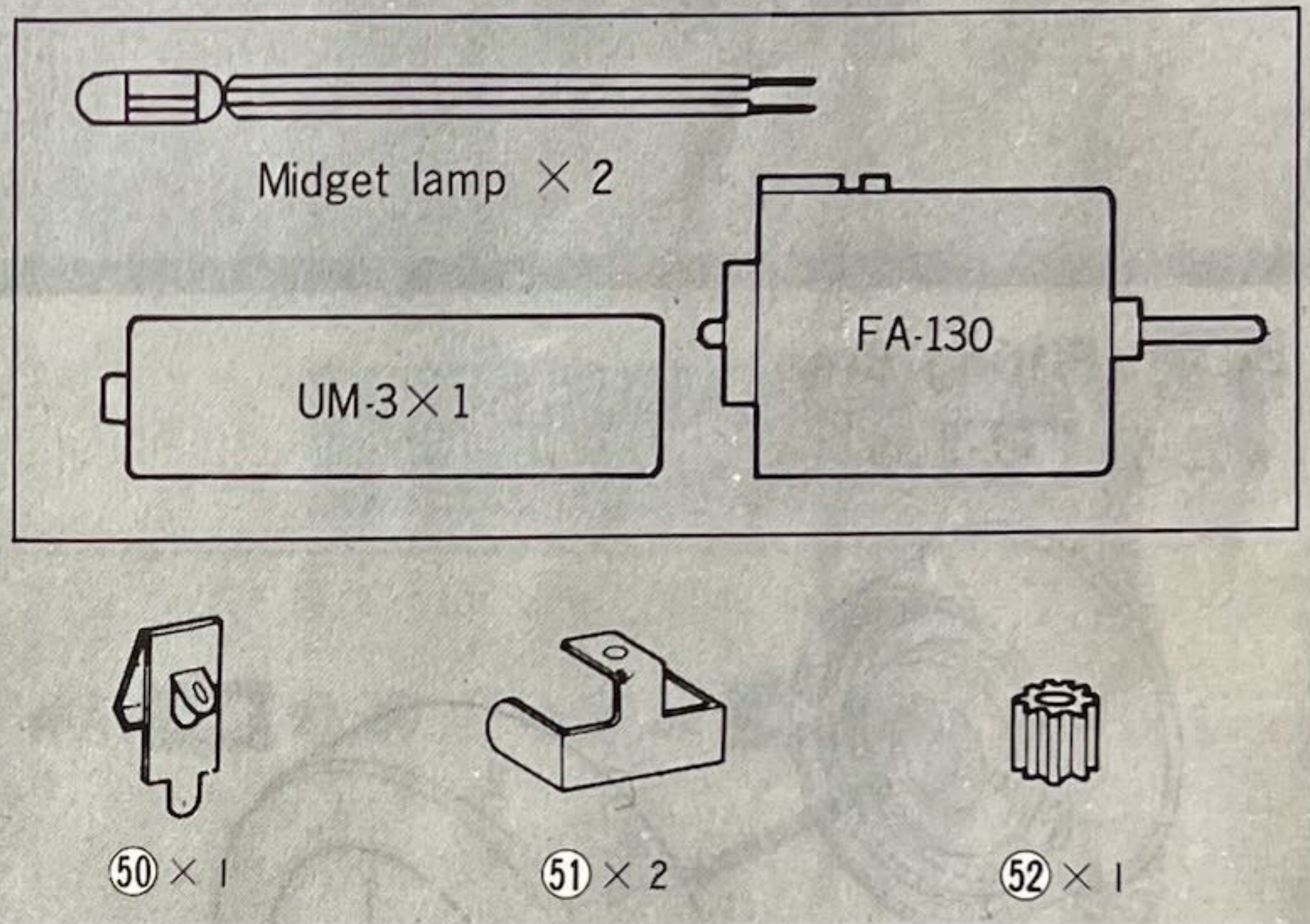
SOLAMANTE PARA MODELOS MOTORIZADOS

ALLEEN VOOR MODELLEN MET MOTOR

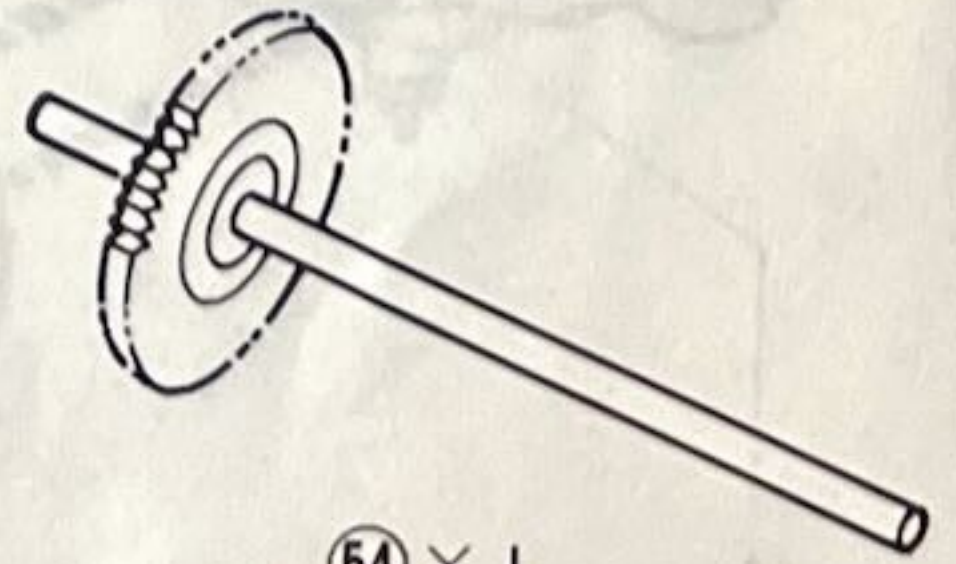
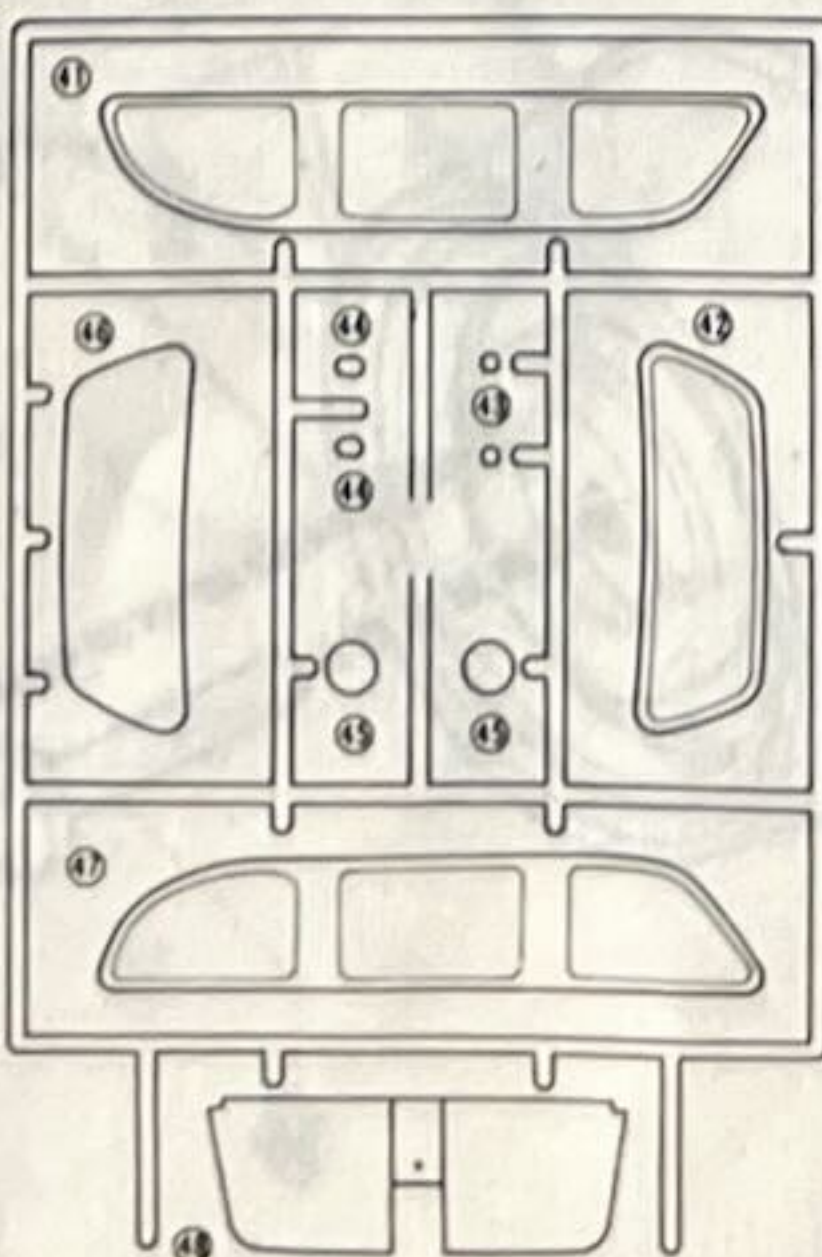
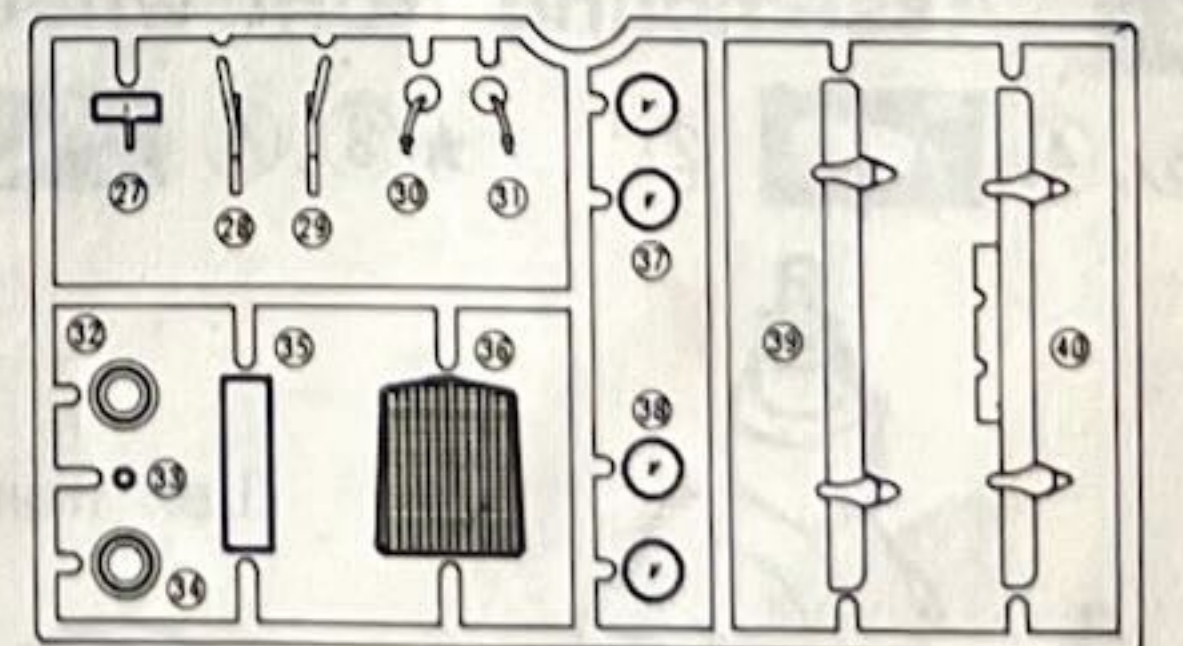
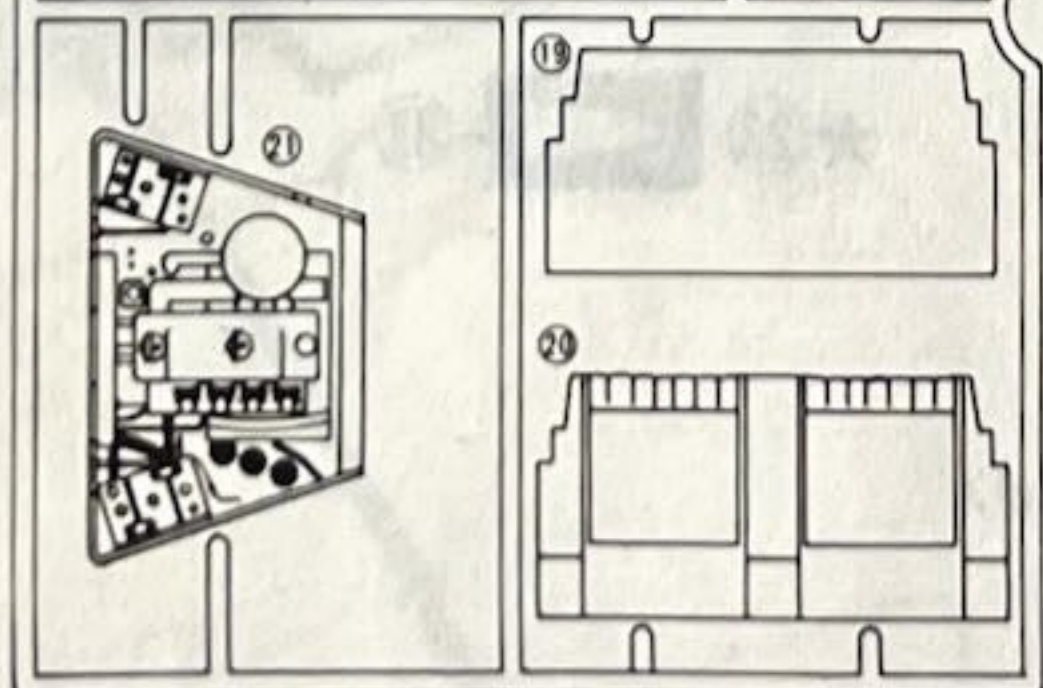
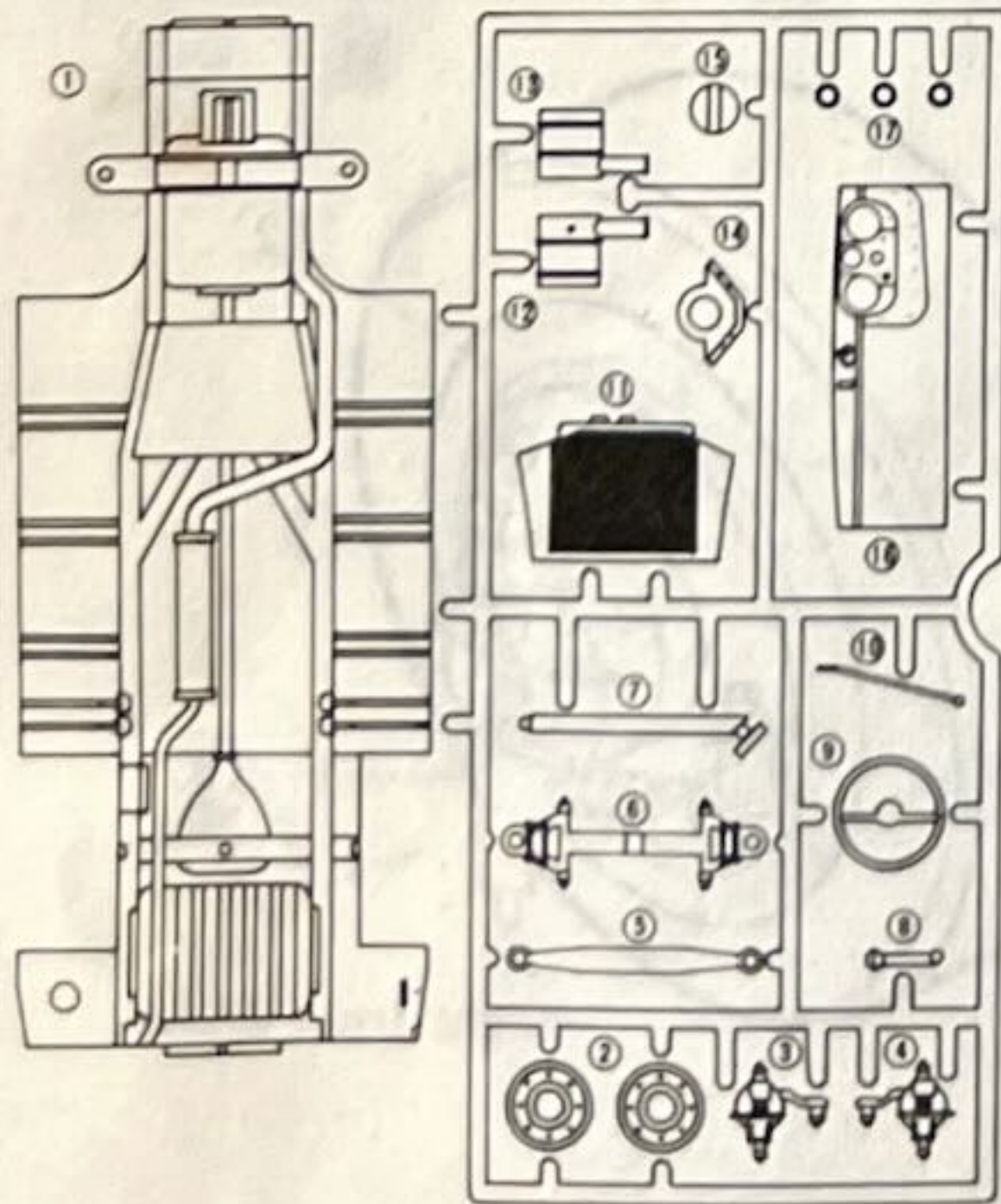
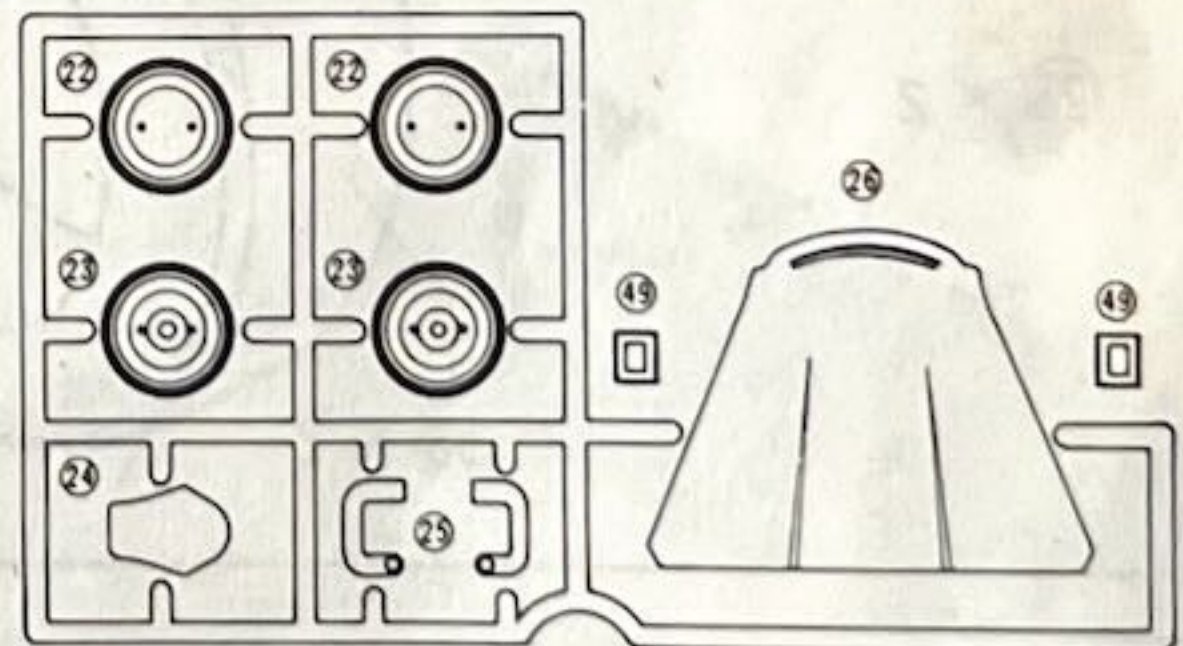
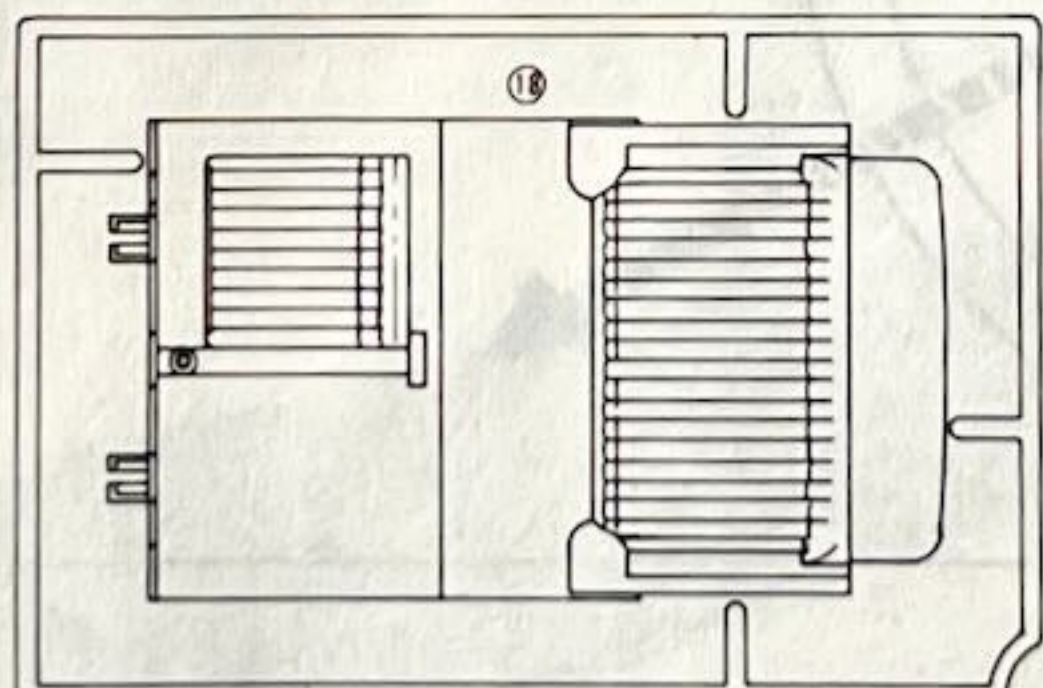
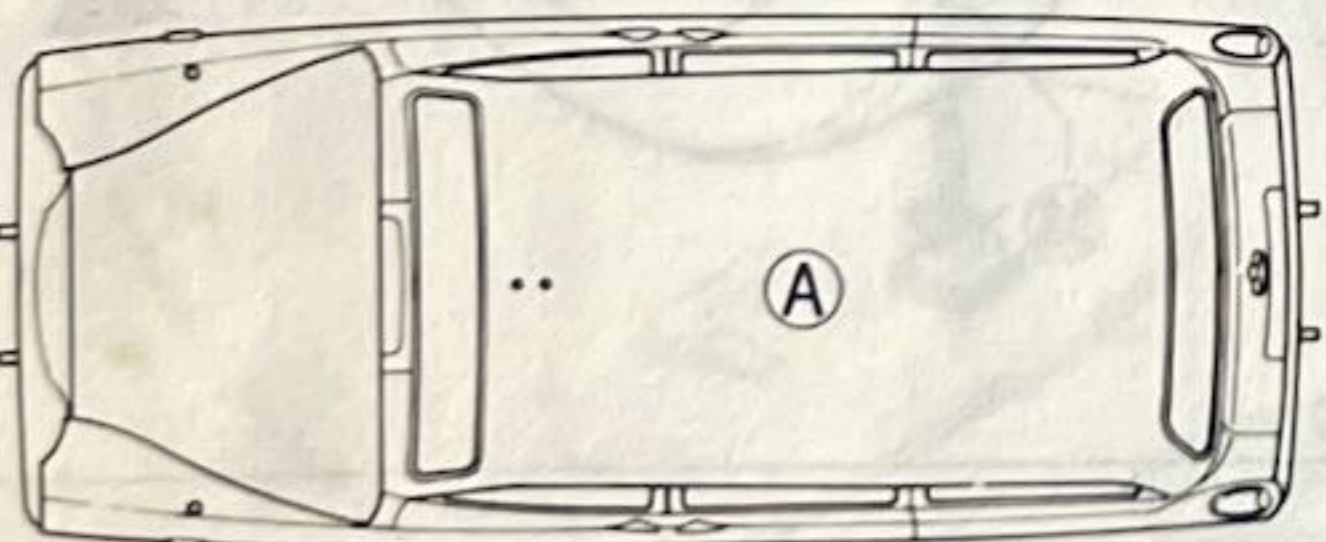
MÖRKA RUTOR ENDAST FÖR BYGGSATS MED MOTOR

POUŽIVATI JEN PRO MOTORIZACEMODEL

للموديلات المحركة فقط



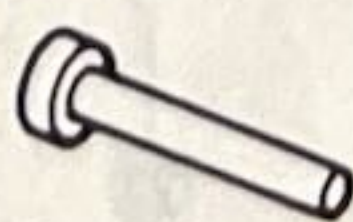
## 《PARTS》



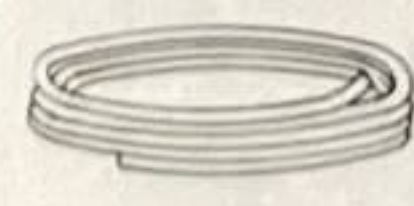
Decal

53 × 4

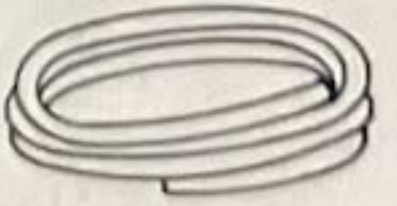
54 × 1



55 × 2



56 × 1

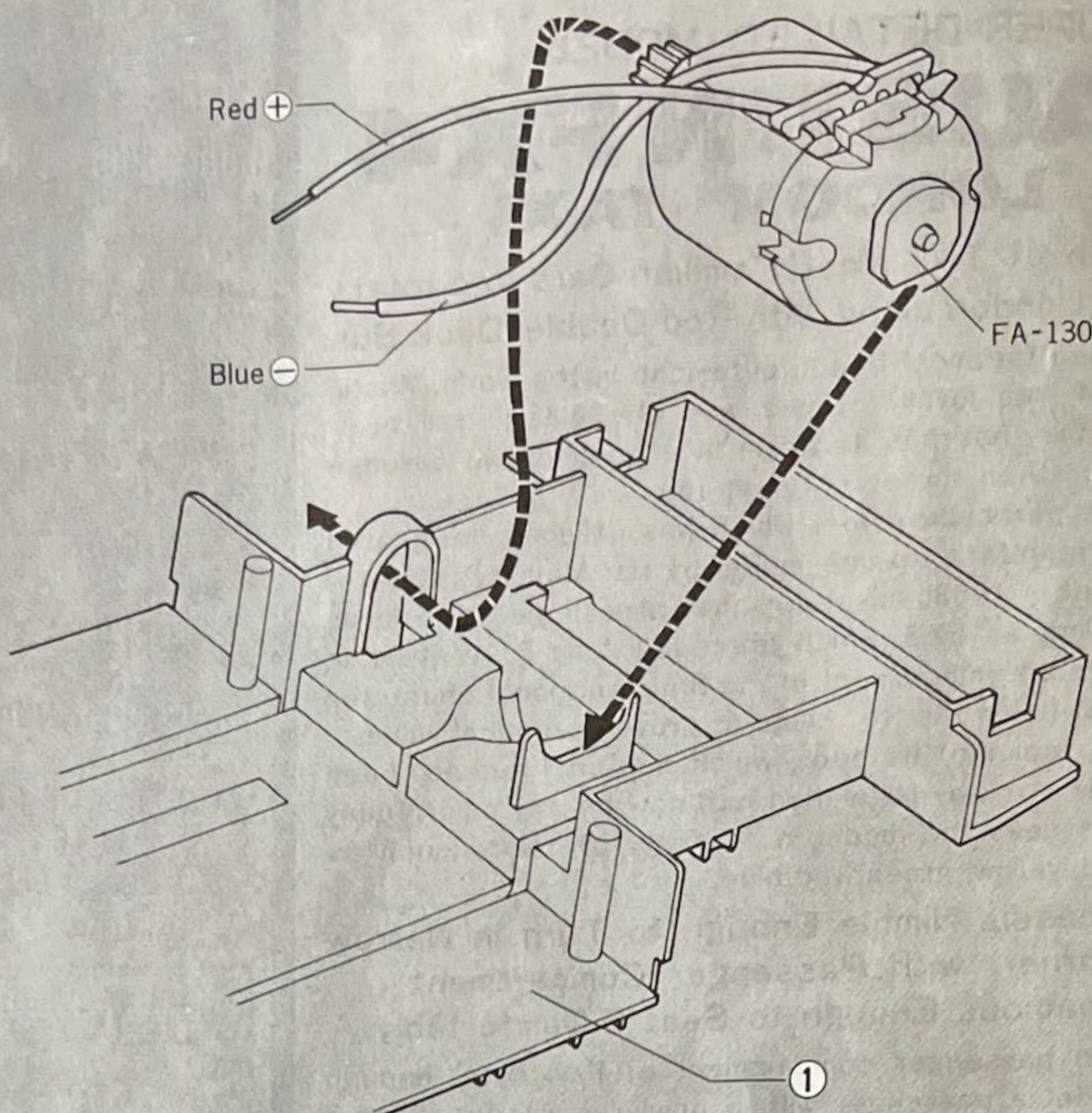
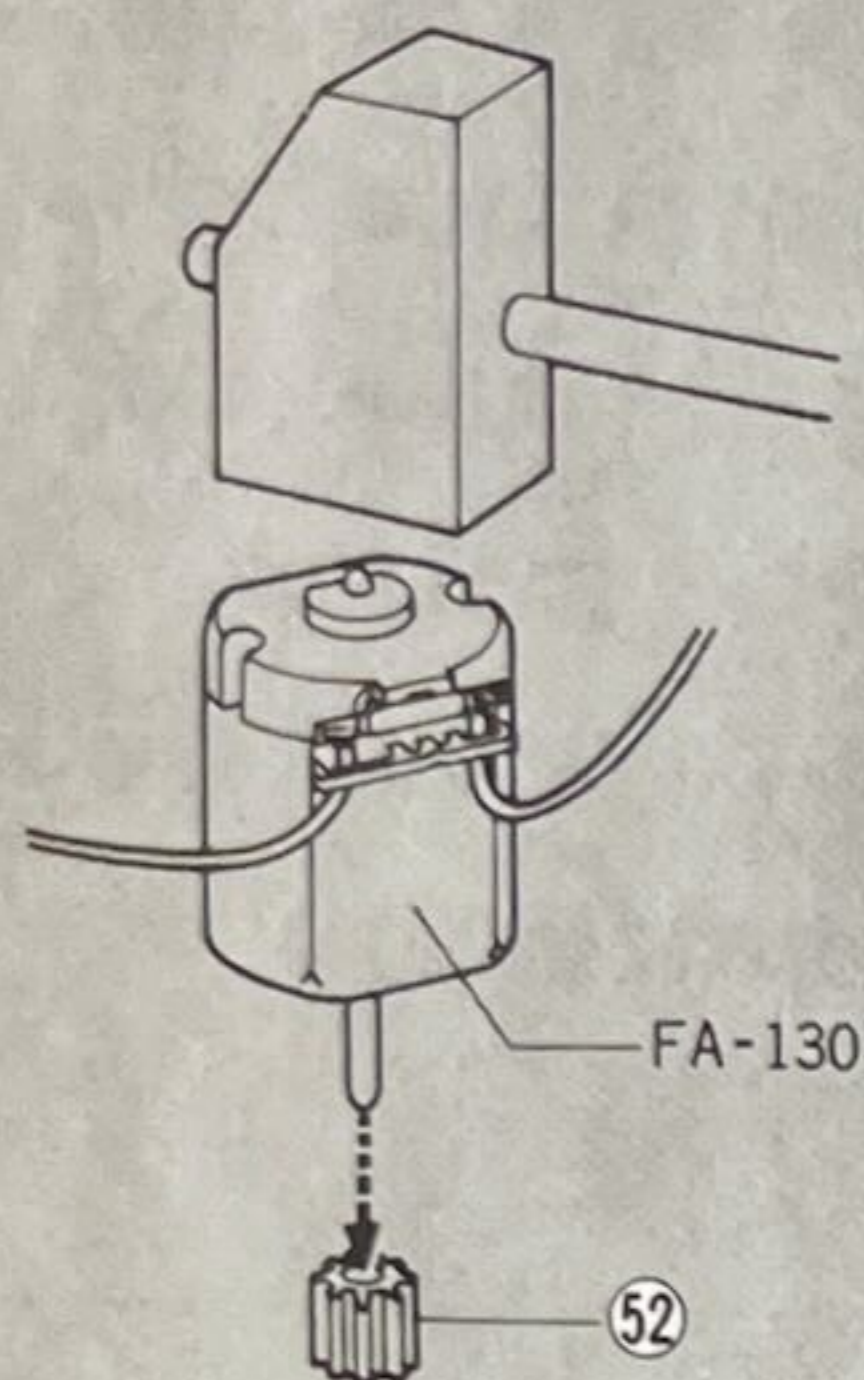


57 × 1

### 《Fitting motor》

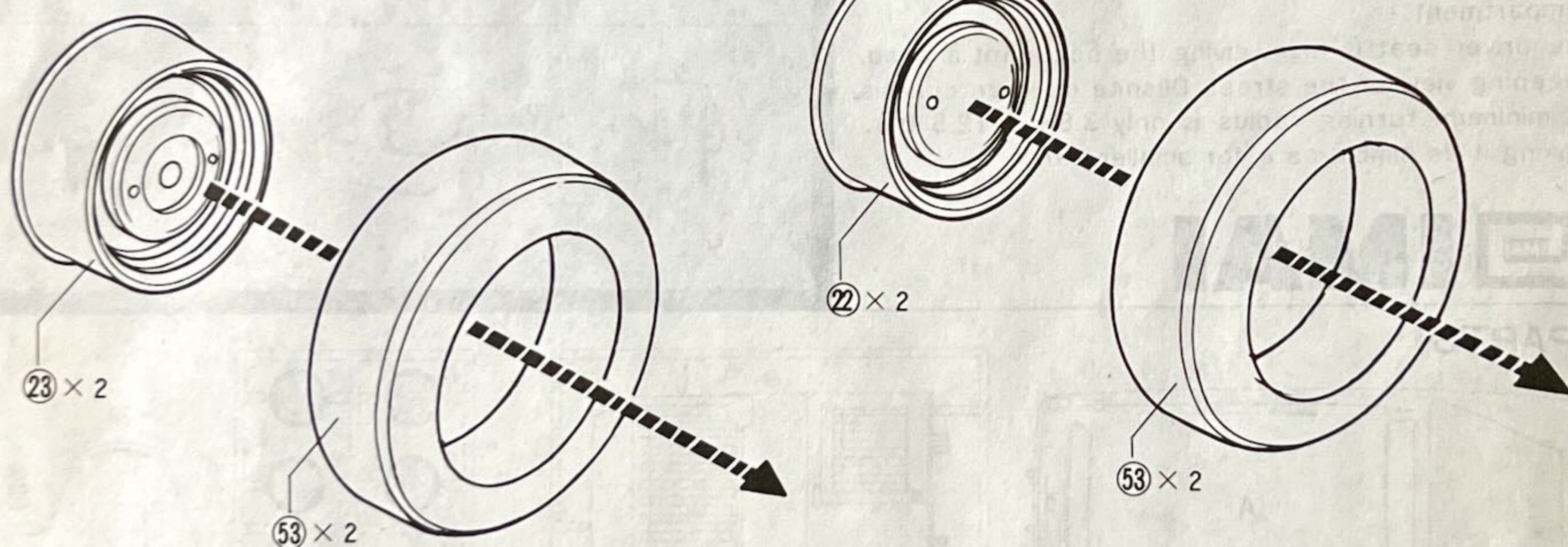
★ 52  FA-130

★ 1  FA-130




### 1 《Fitting tires》

★ 22, 23  53

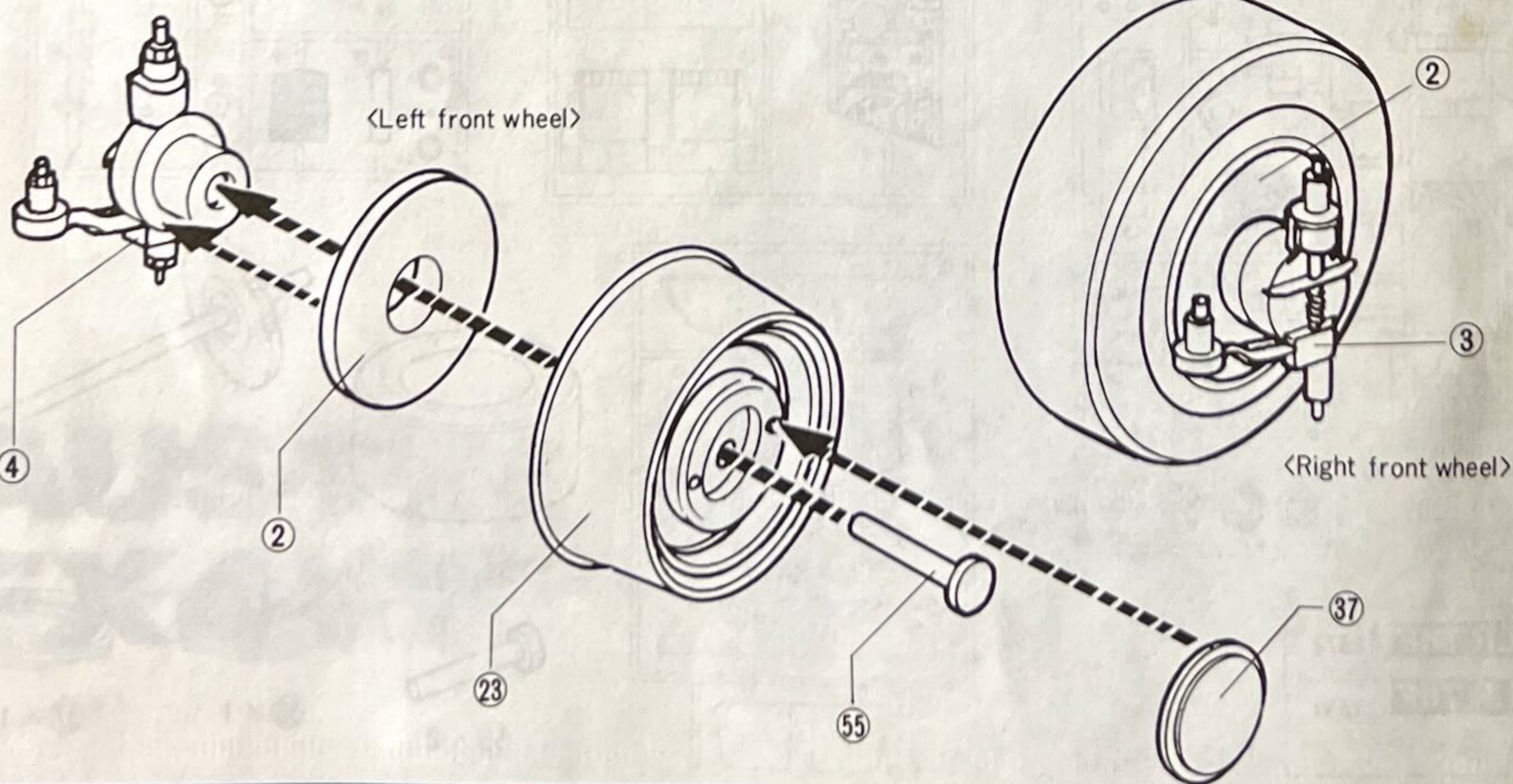


### 2 《Assembling front wheels》

★ 3, 4  2

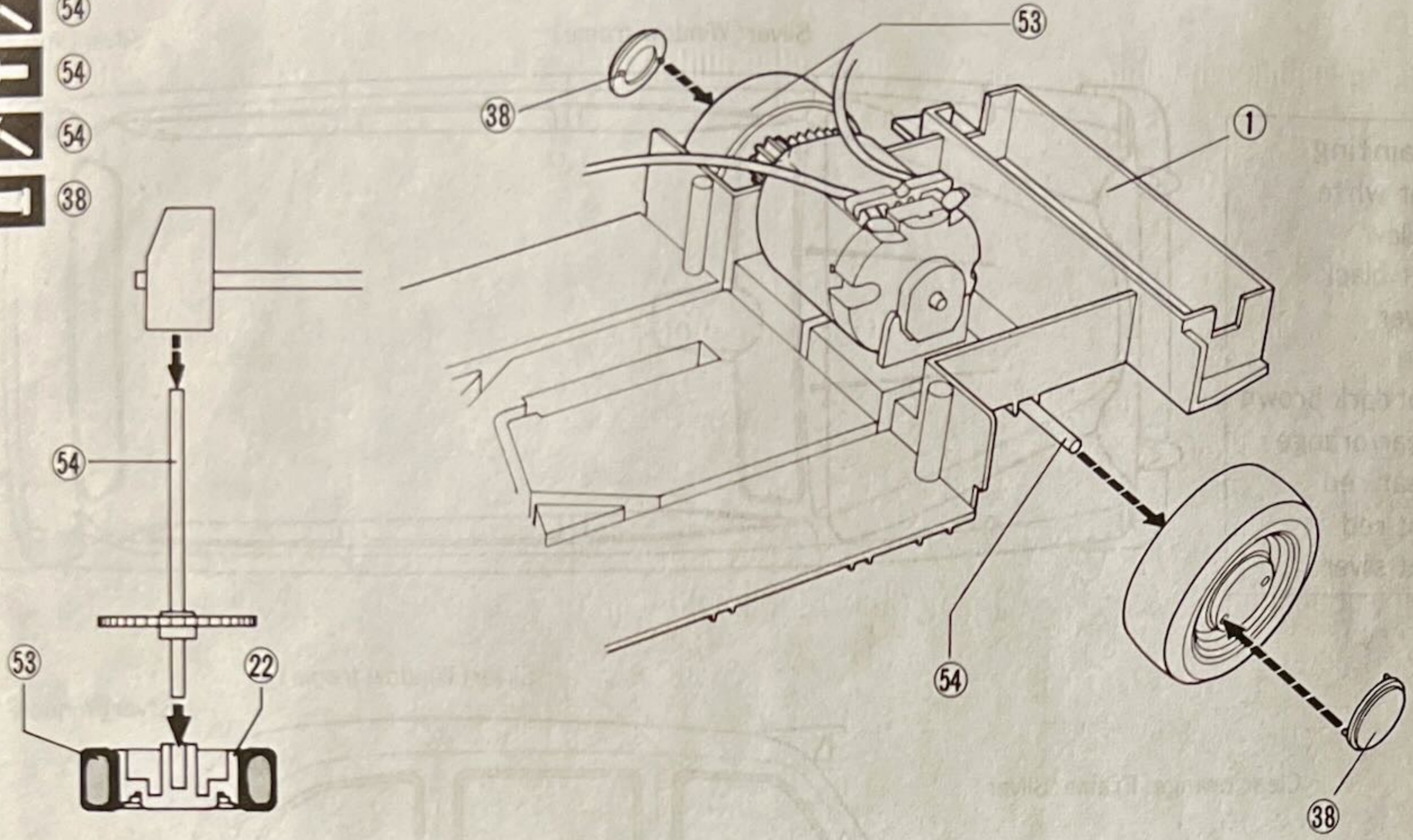
★ 3, 4  55

★ 23  37



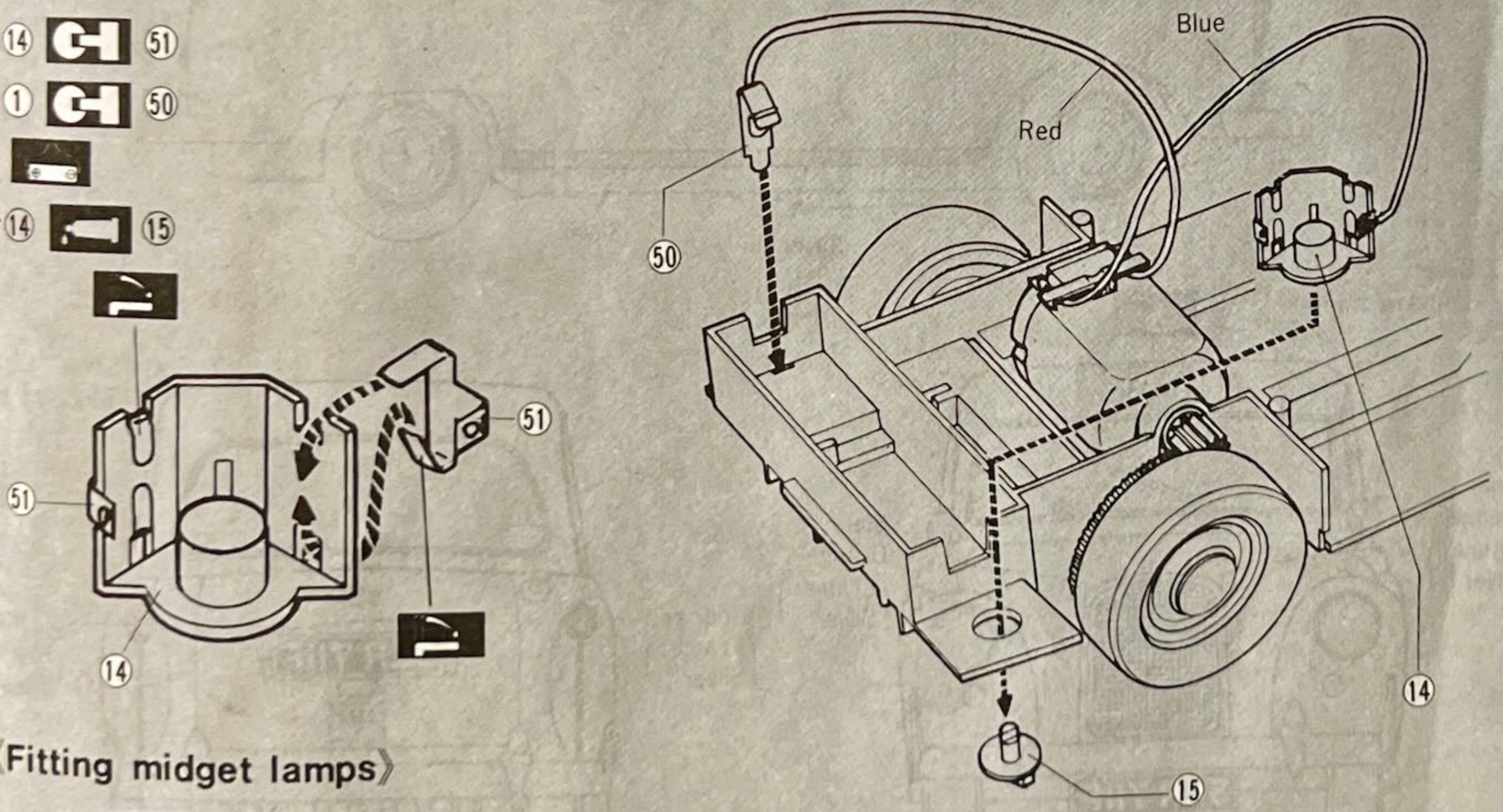
### 3 《Fitting rear wheels》

- ★22  54
- ★1  54
- ★22  54
- ★22  38




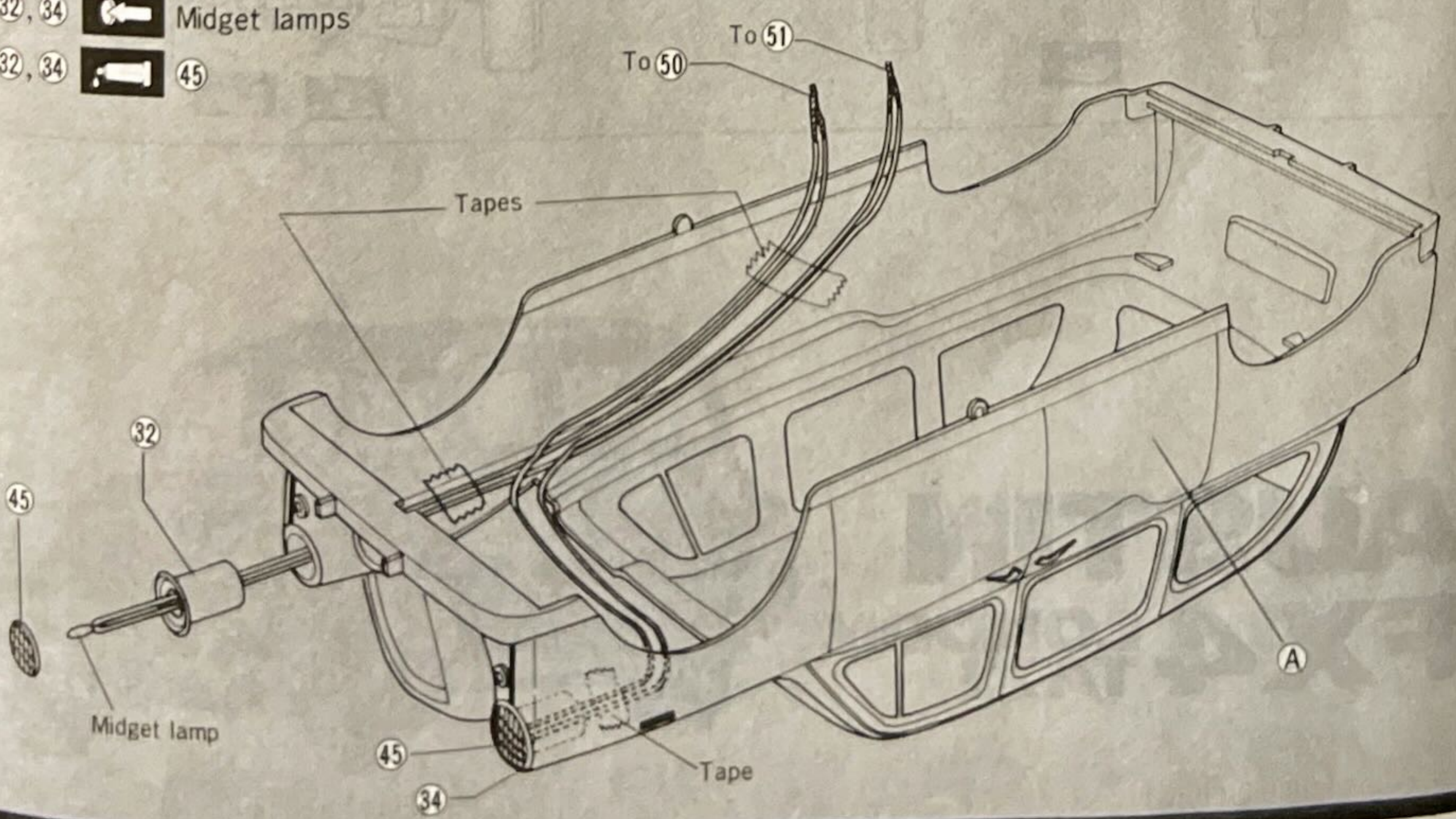
### 《Fitting metal parts for switch & batteries》

- ★14  51
- ★1  50
- ★ 
- ★14  15



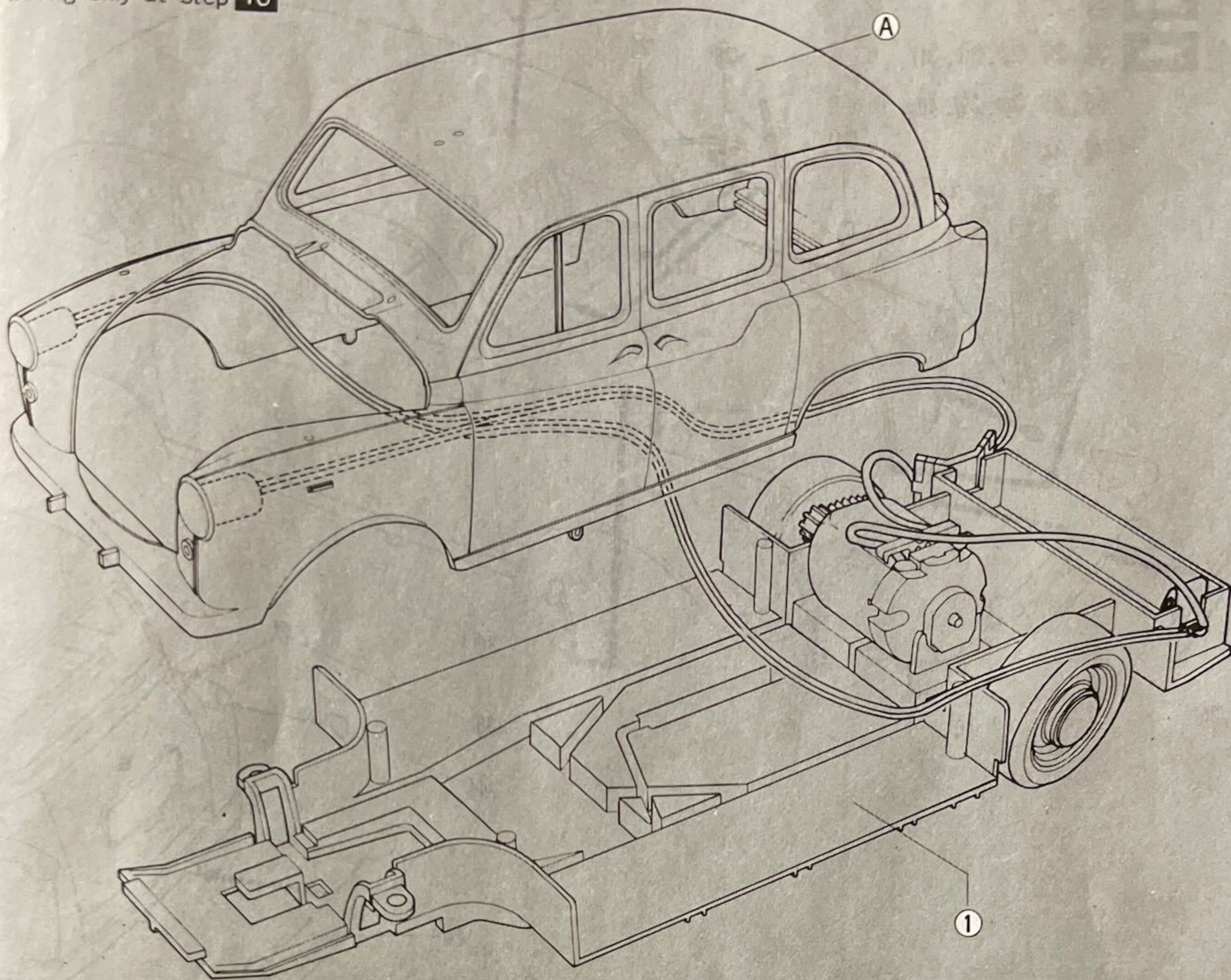
### 《Fitting midget lamps》

- ★32, 34  Midget lamps
- ★32, 34  45



### 《Wiring midget lamp》

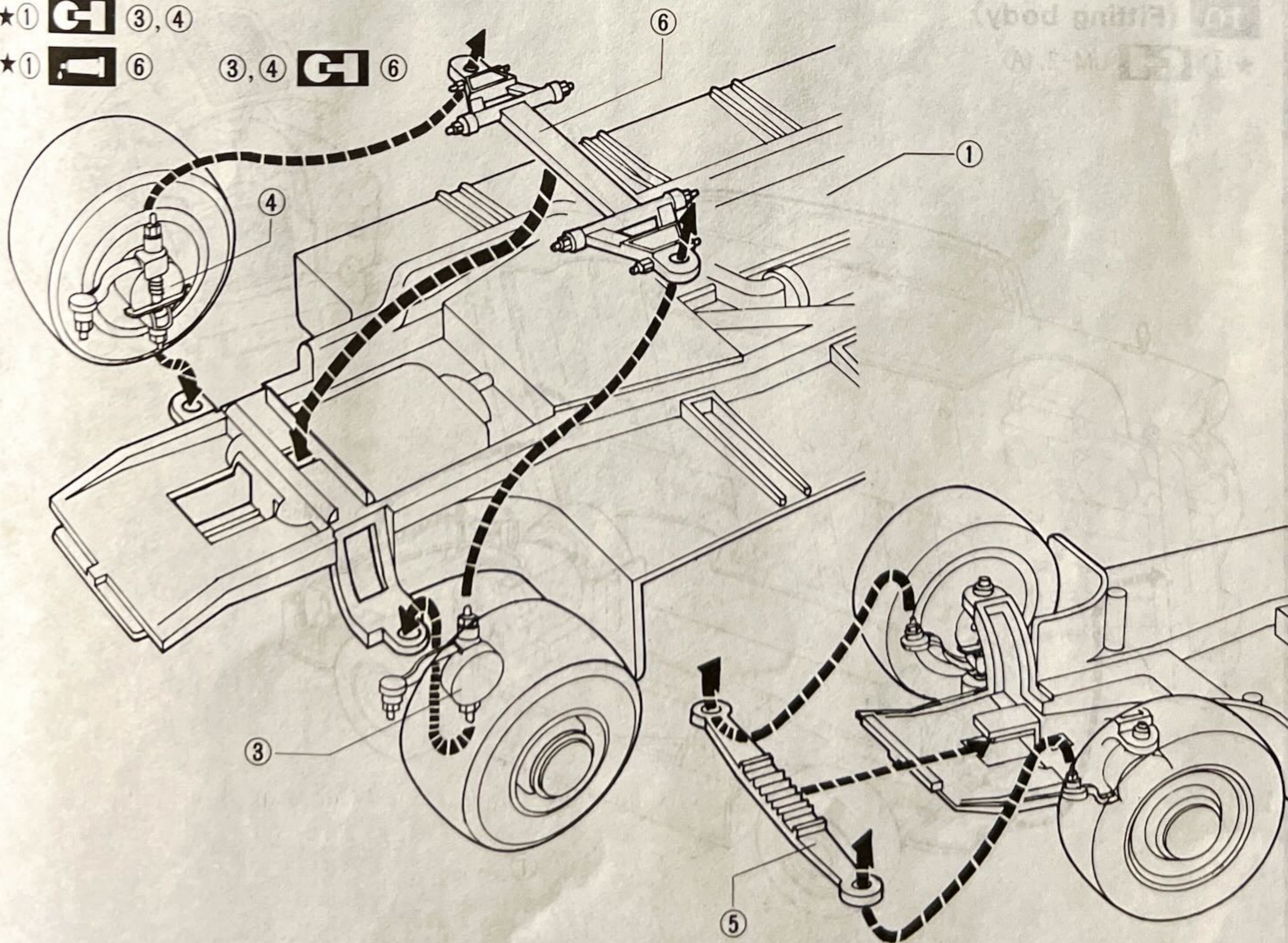
※Do wiring only at step 10





### 4 《Fitting front wheels》

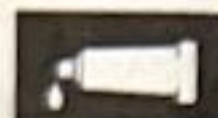
★①  ③, ④

★①  ⑥ ③, ④  ⑥

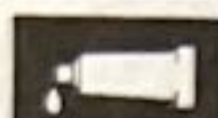


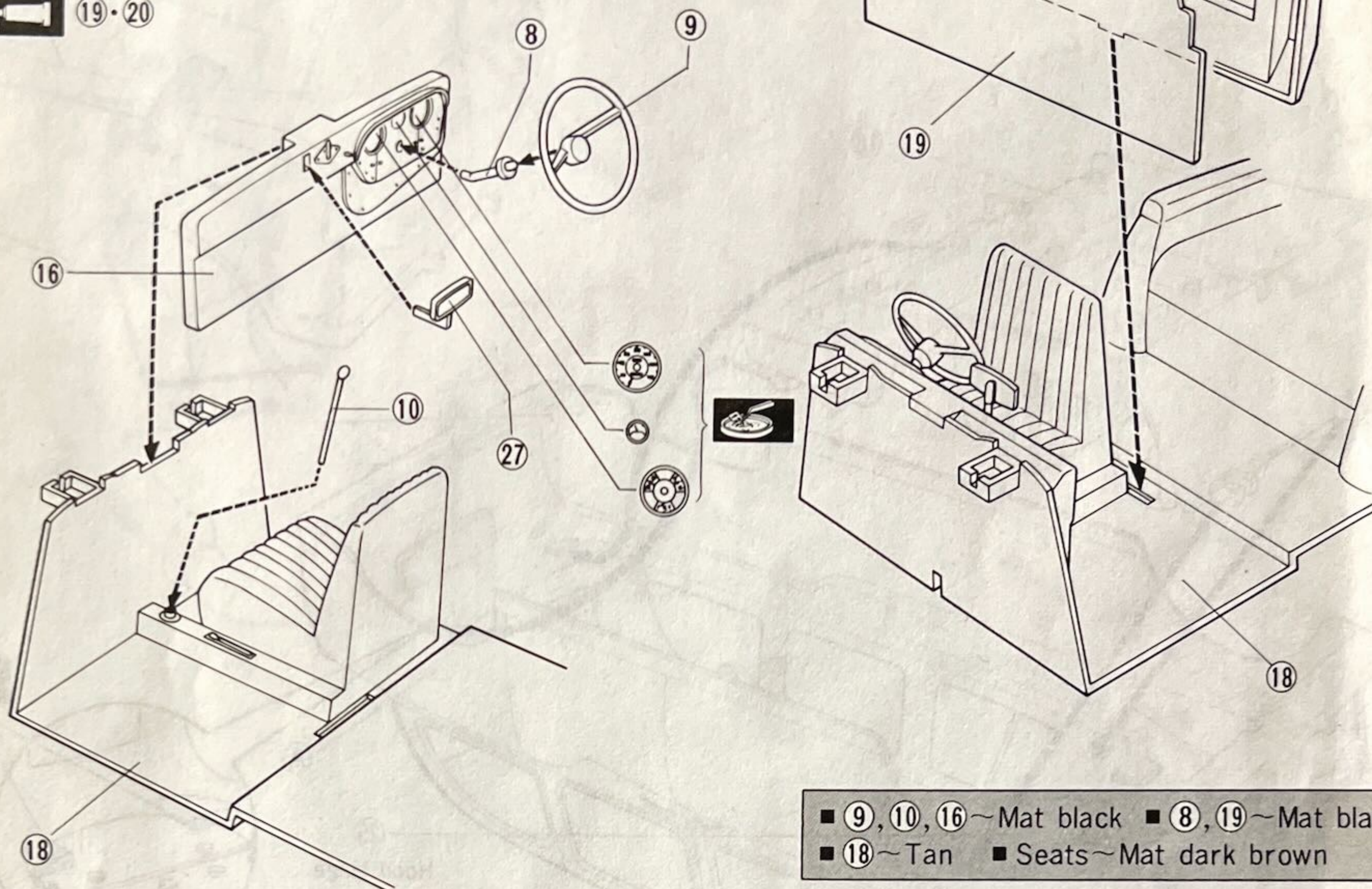
## 5 《Assembling cockpit》

★16  8, 9, 27    ★  ~16

★18  10, 16

★19  20

★18  19, 20




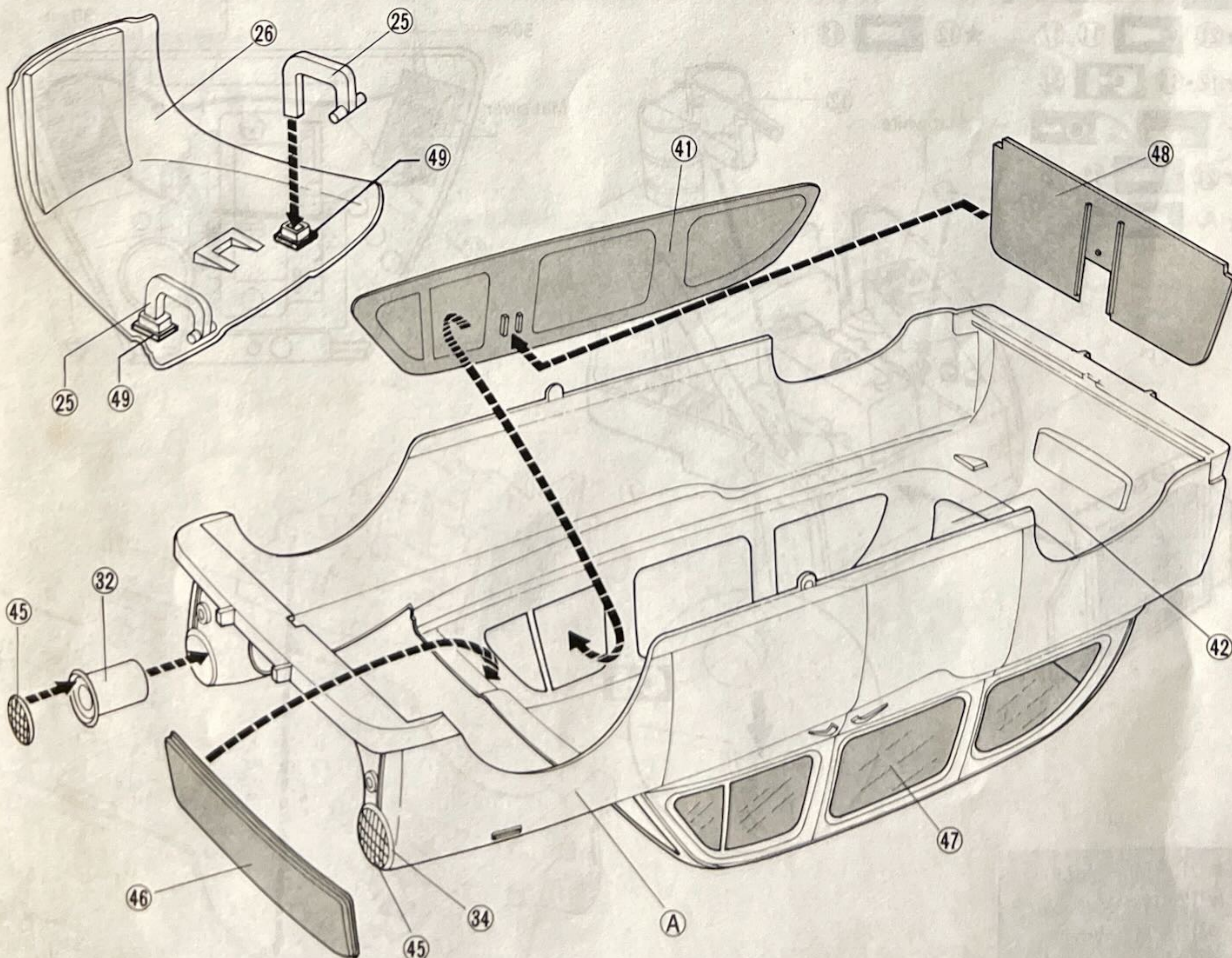
## 6 《Fitting windows & hood hinges》

★26  25, 49

★A  41, 42, 46, 48

★A  32, 34

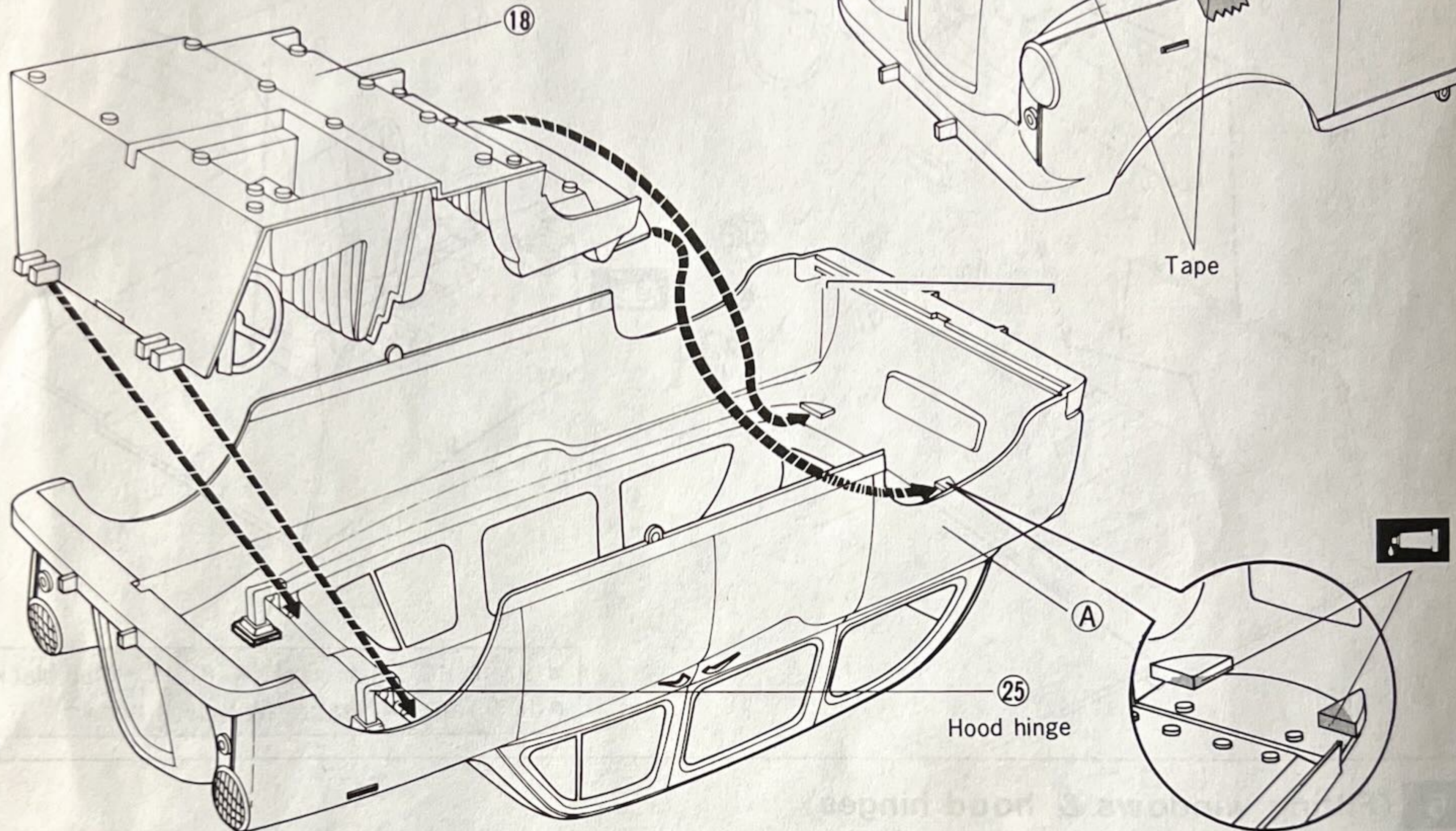
★32, 34  45





## 7 《Fitting cockpit & front hood》

★A  18, 26

※ Do not put any cement on the hood hinges.



## 8 《Fitting engine room》

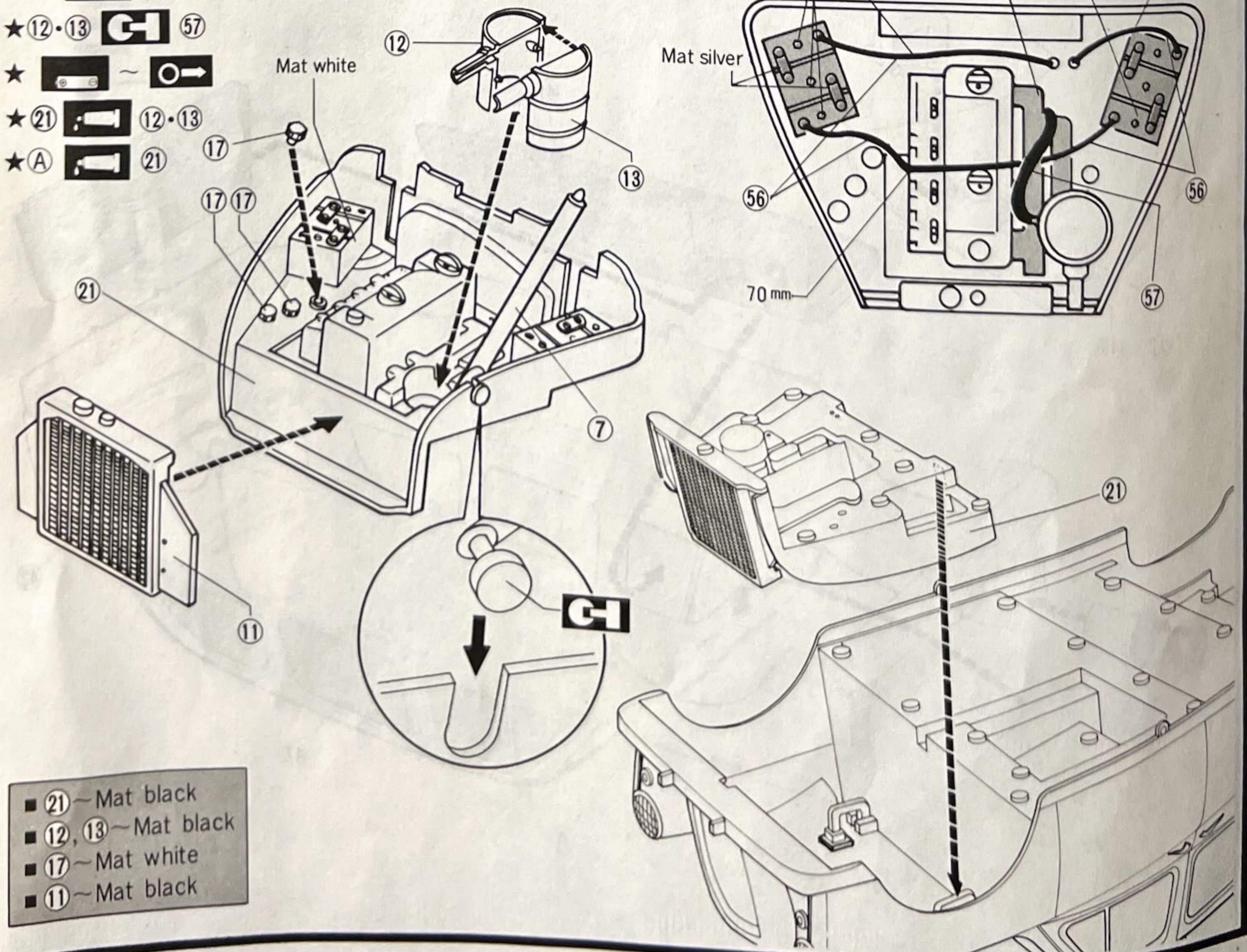
★21  11, 17    ★12  13

★12·13  57

★  ~ 



★21  12·13

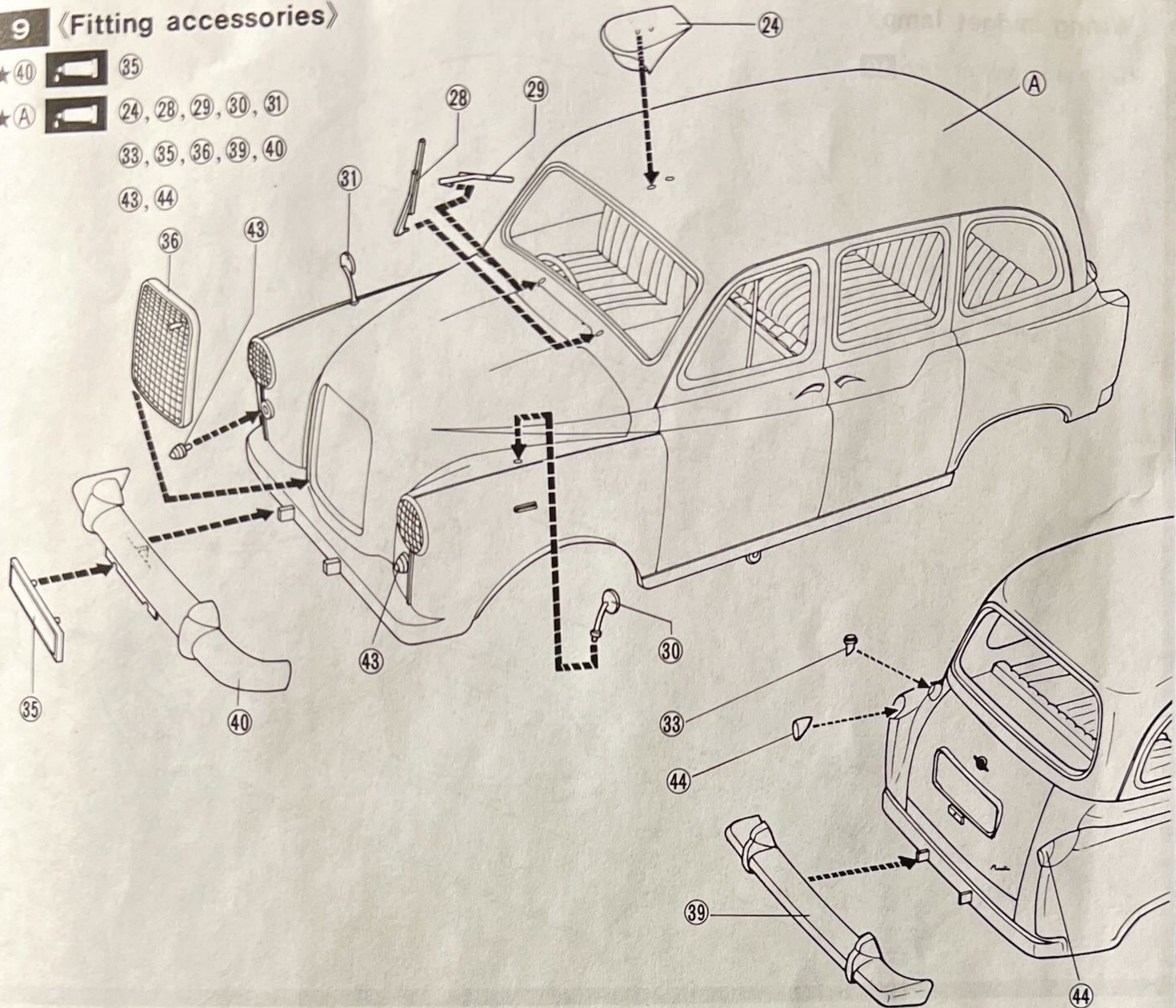
★A  21




- 21 ~ Mat black
- 12, 13 ~ Mat black
- 17 ~ Mat white
- 11 ~ Mat black

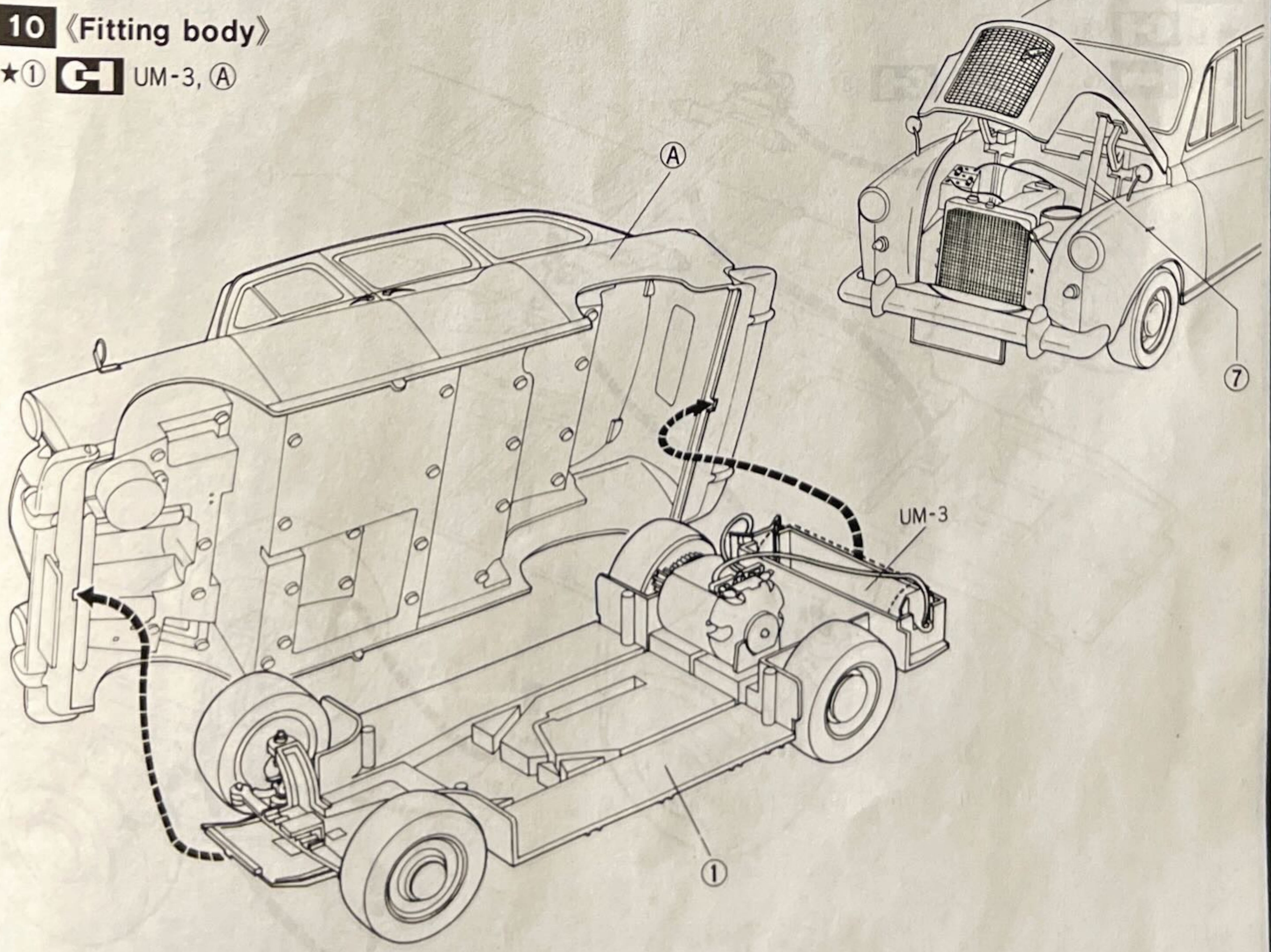
**9** 《Fitting accessories》

- ★ 40  35
- ★ A  24, 28, 29, 30, 31
- 33, 35, 36, 39, 40
- 43, 44



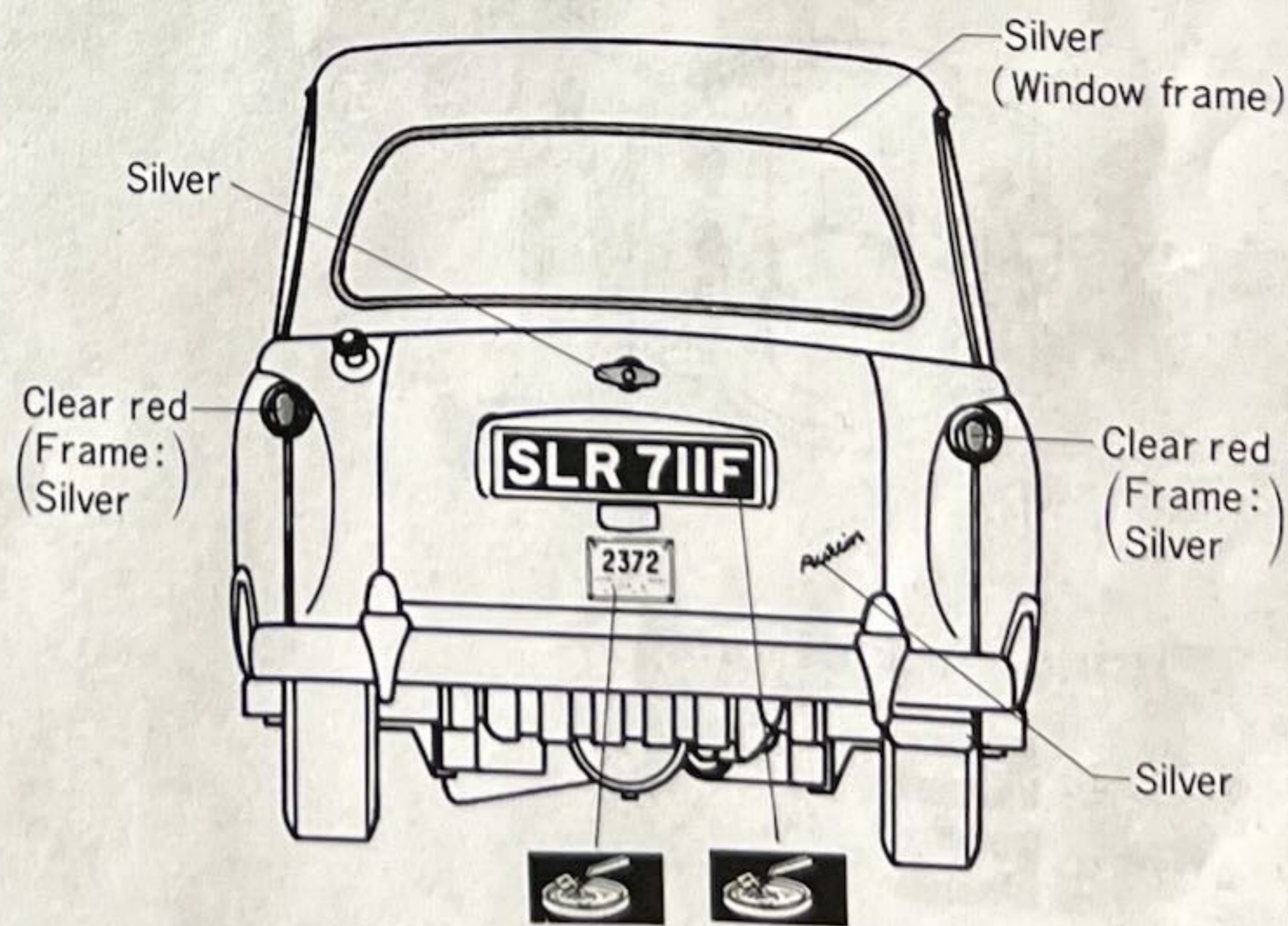
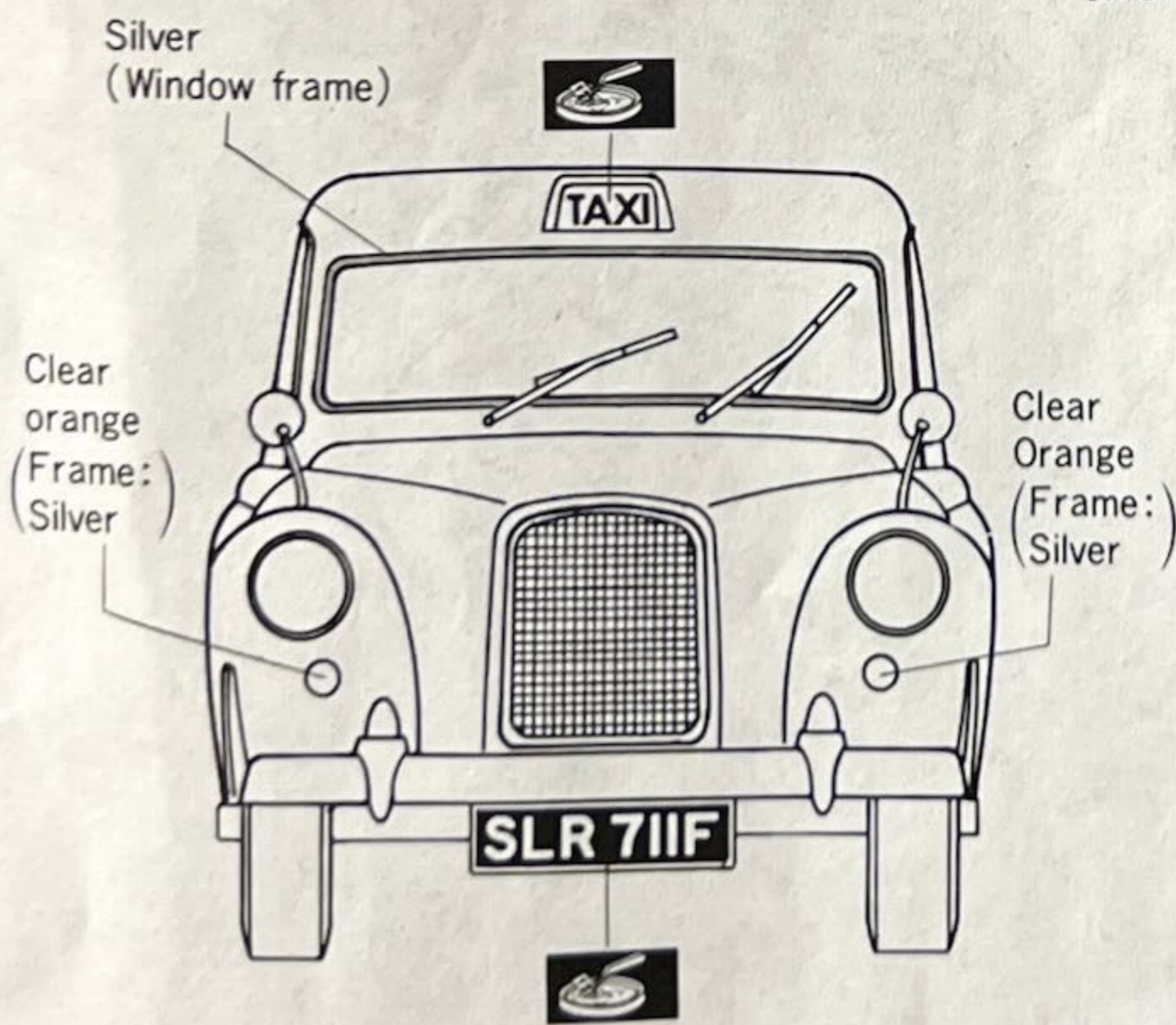
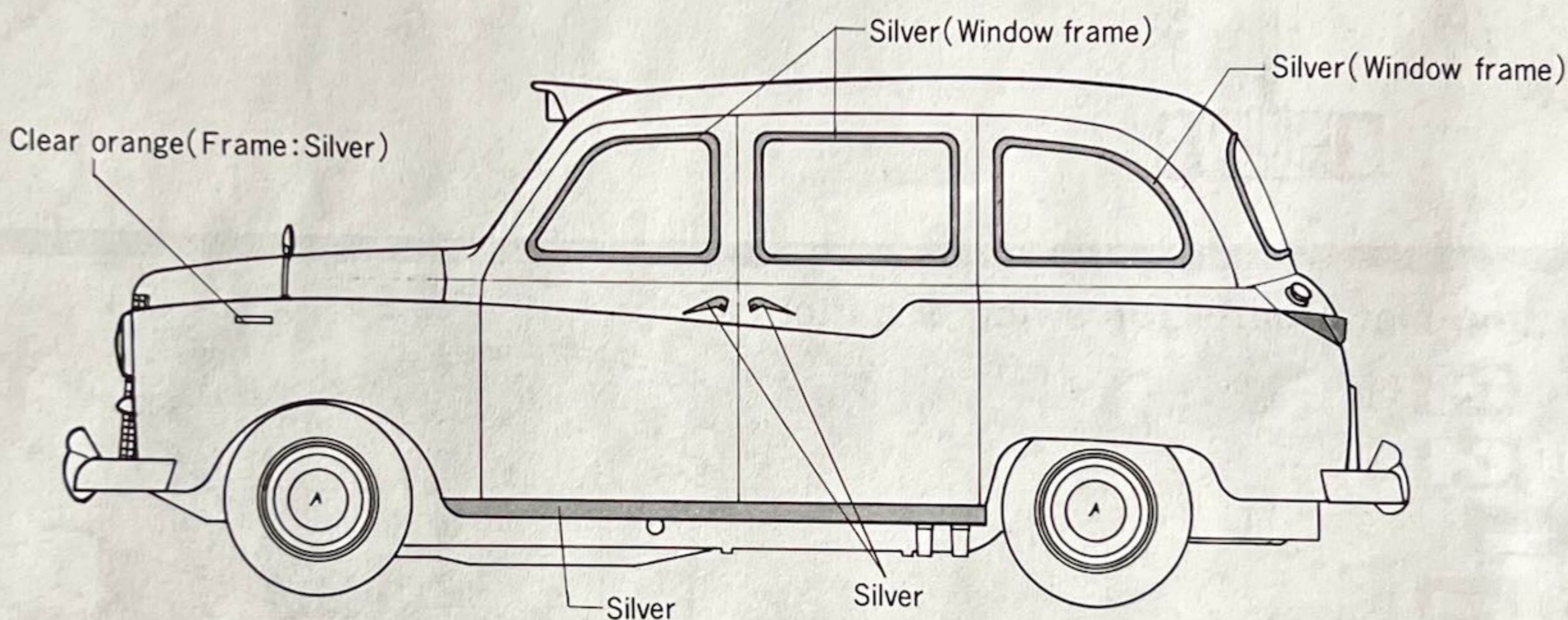
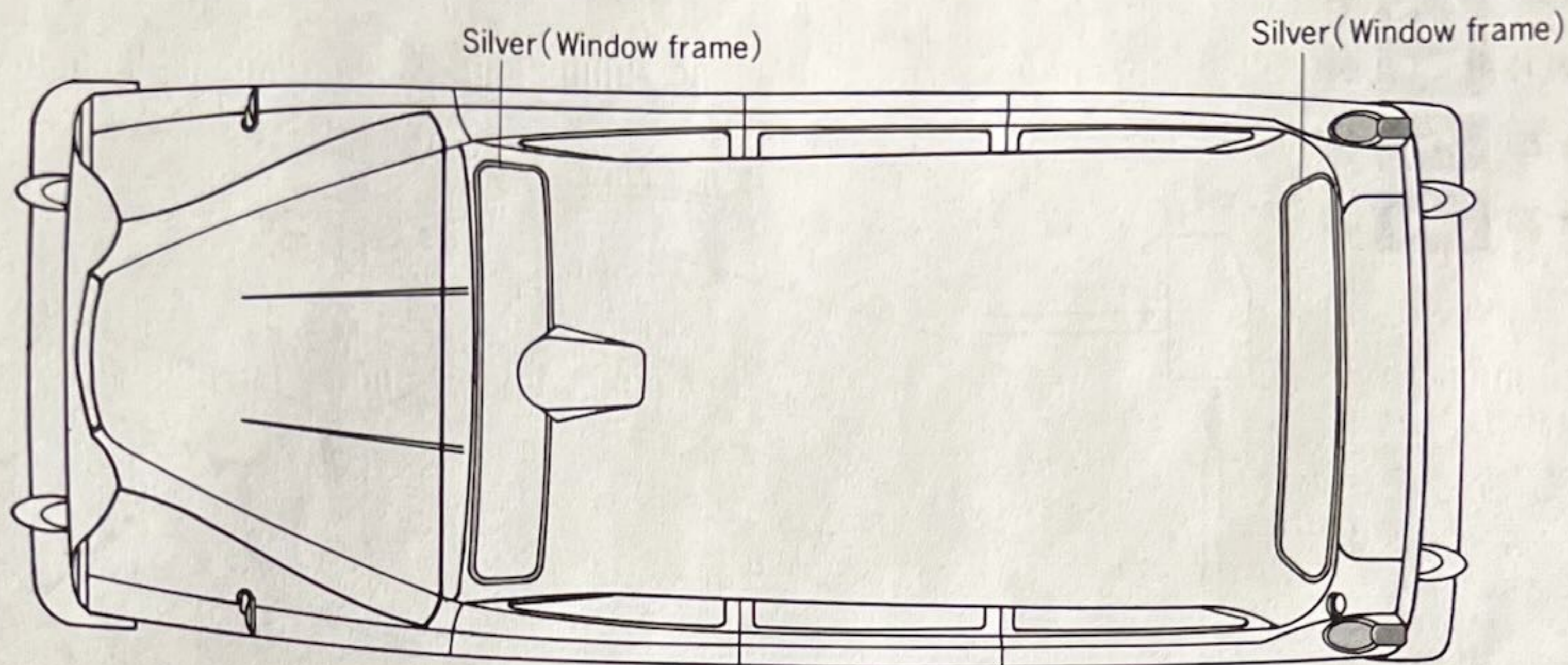
**10** 《Fitting body》

- ★ ①  UM-3, A



# 11 <Fitting decals & painting instruction>

- Painting**
- Mat white
  - Yellow
  - Mat black
  - Silver
  - Tan
  - Mat dark brown
  - Clear orange
  - Clear red
  - Mat red
  - Mat silver



**AUSTIN**  
**FX4 LONDON TAXI**

