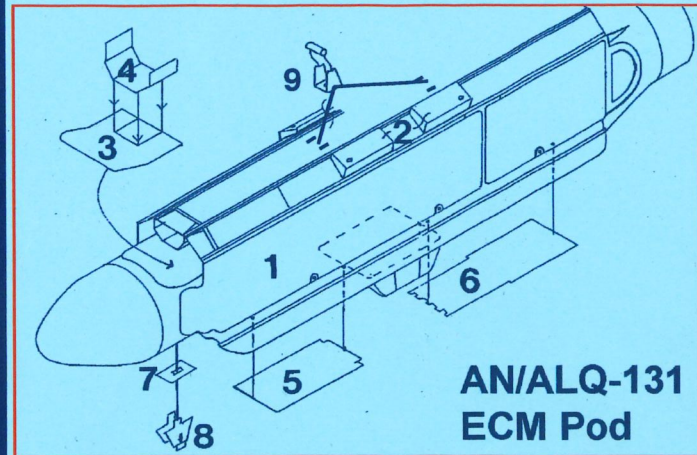


### ECM Pod Set -

this set contains 2 x AN/ALQ-131 Pods - one shallow & one deep dish configuration + one AN/ALQ-101 pod.



#### **Assembly of AN/ALQ-131 Pods [either version] -**

1. Form main body overlay from part 1 - fitting parts 3 & 4 under front hood, as shown and form and fit parts 9 through the slots provided in the upper panel of part 1. Add some wire or rod to parts 9 as illustrated.
2. Add parts 5 & 6 to undersides of pod, as indicated.
3. Form and add 4 x parts 2 [handed] to top of part 1, as shown.
4. Fold part 8 through 180 degrees [with fold line on the OUTSIDE, and fit via base [7] into hole drilled in underside of pod nose section. Fit the completed unit to the relevant wing pylon or station on your model. *repeat the assembly for the remaining unit.*



Trefacwn Fach, Llanrhian, St. Davids, Pembrokeshire, SA62 6DP, Wales, UK

[www.djparkins.com](http://www.djparkins.com)