

# 1/76 Scale Construction Kit **LANDROVER L.W.B.**

F.V. 18061 TRUCK GENERAL SERVICE (ROVER 11 4x4)

First introduced in 1948 by the Rover Company of Solihull as an all-purpose cross-country vehicle. The Landrover was not officially adopted for British Army service until 1956, even though both the short and long wheelbase versions were by then in widespread use.

The long wheelbase Landrover can normally carry two passengers in the front with the driver and up to eight people in the back sitting on bench seats.

The basic Landrover is usually fitted with a canvas tilt, but for specialist use and for certain climatic conditions they are fitted with a solid body and are normally referred to as a 'Hard Top'. Sometimes they are also fitted with side windows.

The hard top version is commonly used by signals units and has a 24 volt A.C. electrical system and carries most types of radio.

Height	: 2060mm (81 in)	Length	: 4650mm (183 in)
Width	: 1690mm (66.5 in)	Wheelbase	: 2770mm (109 in)
Weight	: Unladen - 1.68 tonne (3686 lb)		
	: Laden - 2.62 tonne (5766 lb)		
Max Speed	: Road - 90 km/h (56 mph)		
	: Cross country - 16.1 km/h (10 mph)		
Range	: 450km (280 miles)		
Power Unit	: Rover 4 cylinder O/H. V. 2286 cc (139 cu in)		
	: 57.4 kw (77bhp) at 4250 revs/min		

Made In Great Britain By J. B. MODELS

P.O. Box 12, Deeping St. James,  
Peterborough, PE6 8PL

In case of complaint please write to the  
above address.

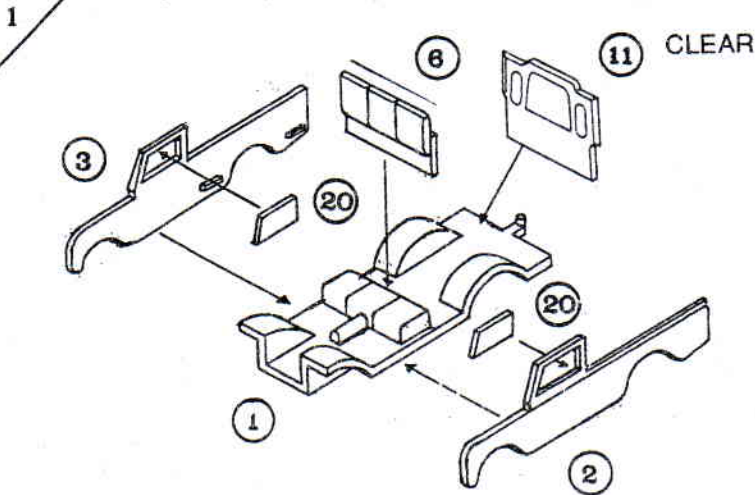
## PAINT GUIDE

No	Colour & Humbrol Ref. No.	5	Silver	(11)
1	Mat Black (33)	6	Light Grey	(64)
2	Mat Dark Green (30)	7	Mat Red	(60)
3	Mat Navy Blue (77) plus Gloss Varnish	8	Mat Orange	(82)
4	Aluminium (56)	9	Mat White	(34)

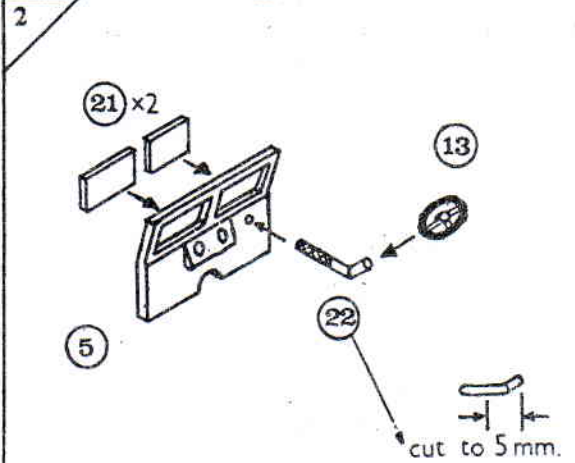
# Assembly Instructions

Cut parts from frame with a sharp knife. Paint interior and small detail before assembly. Test fit parts before cementing.  
 Assemble in sequence shown. Part numbers in circles.

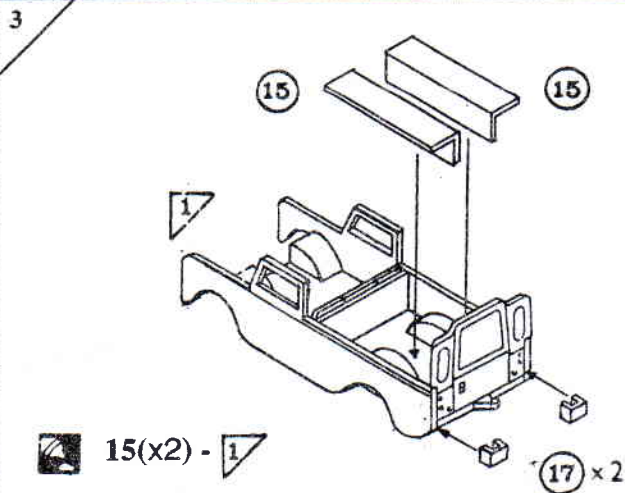
Cement parts together    Optional parts    Completed sections



20 - 2, 20 - 3, 6 - 1 - 2 - 3 - 11.

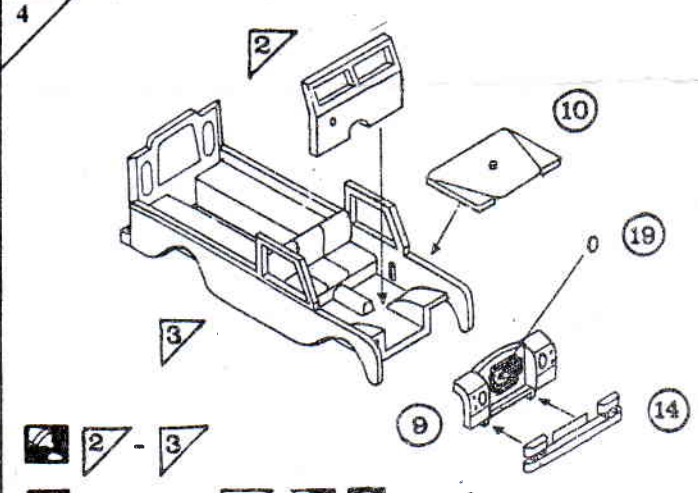


21(x2) - 5    13 - 22 - 5.



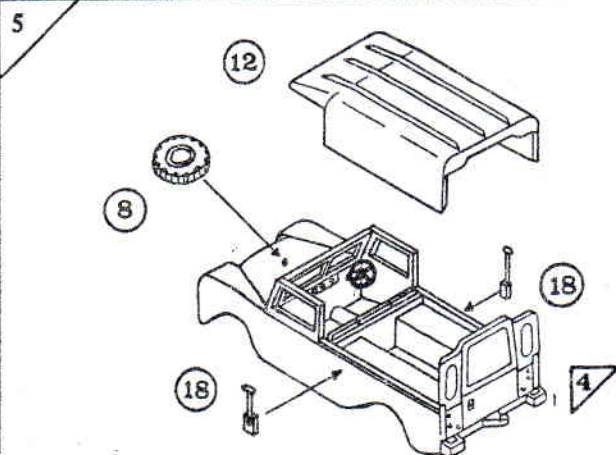
15(x2) - 1

17(x2) - 1



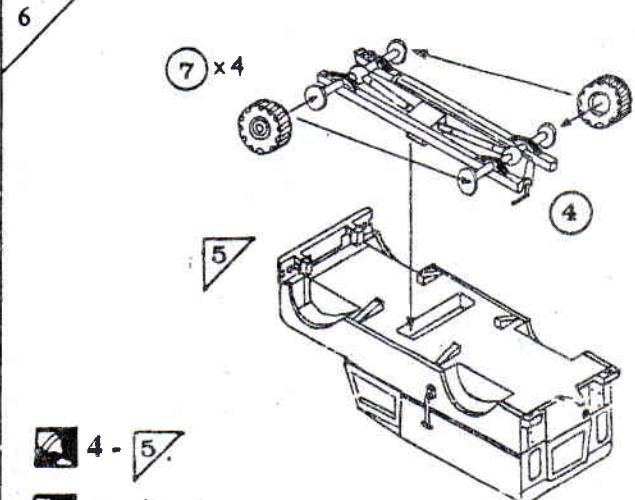
2 - 3

10, 9, 14 - 3    19 - 9



12, 8 - 4

18(x2) - 4



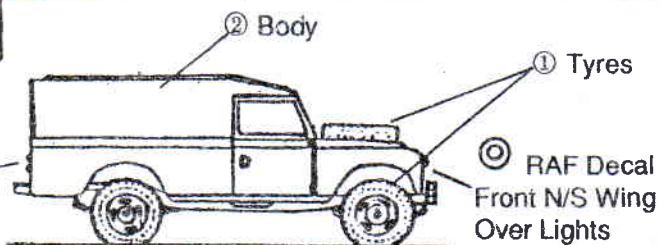
4 - 5

7(x4) - 4

## COLOUR SCHEMES

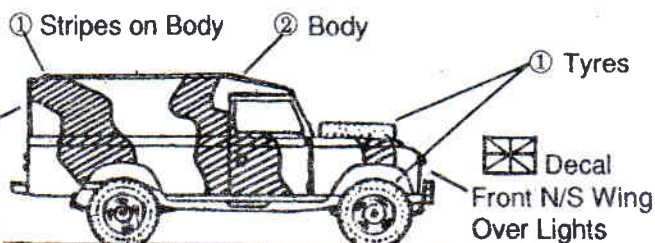
**1** 46 KC 42

⊙  
RAF Decal  
N/S



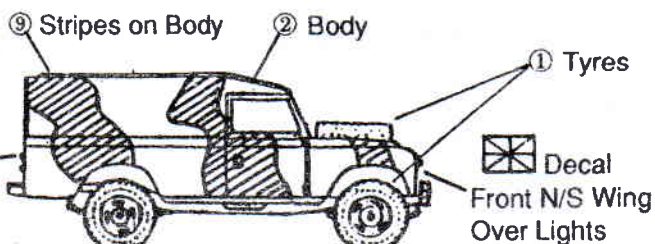
**2** 07 ET 76

⊠ Decal  
Central Over Door

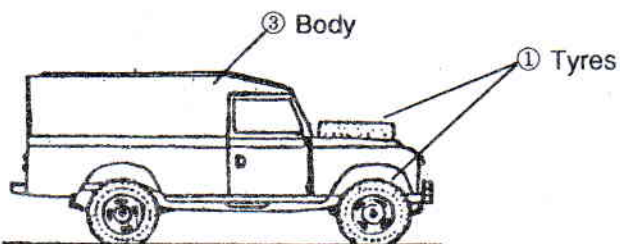


**3** 02 GF 04

⊠ Decal  
L/H Side of Door

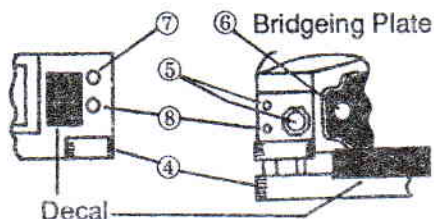


**4** 09 RN 66



Numbers in circles indicate colour from paint guide. Paint small parts before assembly. Interior is same colour as main body

DECALS - Trim to size, place onto water for 45 seconds (approx). Slide into position and pat dry.





1/76 Scale Construction Kit

# G. S. TRAILER

F.V. 2361 TRAILER CARGO (0.75 Tonne)

This two-wheeled trailer has a capacity of 0.75 tonne. The welded steel body is water-tight and is capable of floating and shallow water-fording.

The trailer is fitted with stabilizing jacks, one at the front and two at the rear. Lashing points are provided for securing the load and for a canvas cover.

Height : 940mm (37in)	Length : 2920mm (115 in)
Width : 1425 mm (56 in)	Track : 1200mm (47 in)
Weight : Laden 1.12 tonne (2,464 lb)	

## Assembly Instructions

Cut parts from frame with a sharp knife. Paint interior and small detail before assembly. Test fir parts before cementing. Assemble in sequence shown. Part numbers in circles.

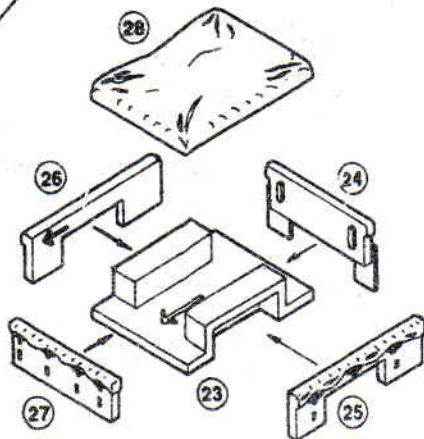


Cement parts together

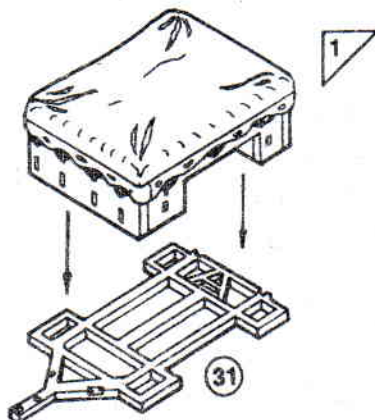


Completed sections

1



2



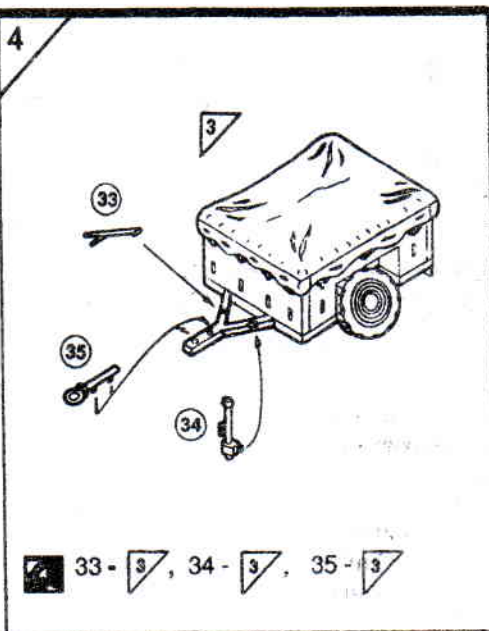
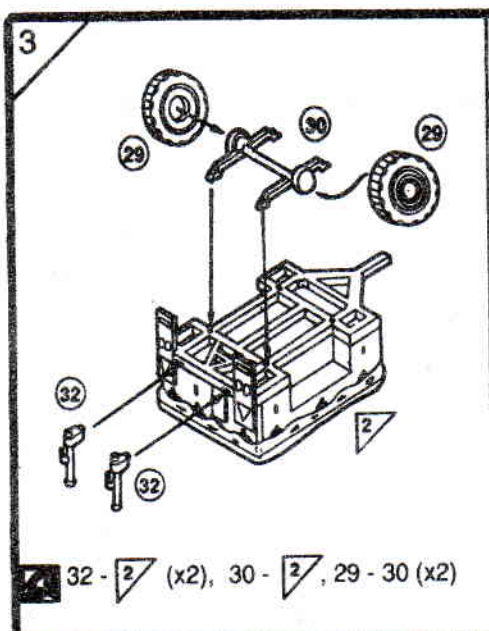
24 - 23, 25 - 23, 26 - 23,



27 - 23, 28 -



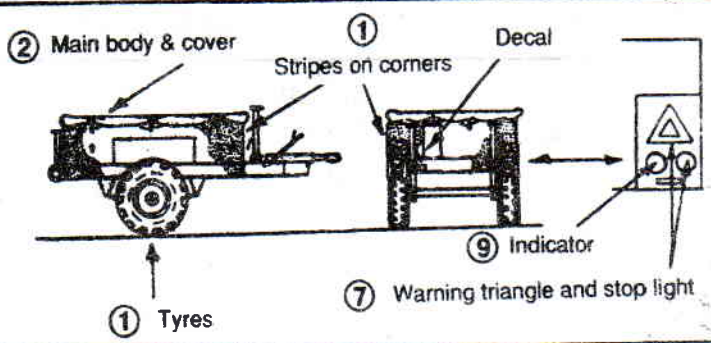
- 31



32 - 2 (x2), 30 - 2, 29 - 30 (x2)

33 - 3, 34 - 3, 35 - 3

**COLOUR SCHEMES**



**PAINT GUIDE**

No	Colour & Humbrol	Ref. No.
1	Matt Black	33
2	Matt Dark Green	30
7	Matt Red	60
9	Matt Orange	82

Numbers in circles indicate colour from paint guide. Paint small parts before assembly. Interior is the same colour as main body.

DECALS - Trim to size, place onto clean water for 45 seconds (approx). Slide into position and pat dry.

Made in Great Britain by J. B. MODELS.  
 P.O. Box 12, Deeping St James.  
 Peterborough, PE6 8PL.  
 In case of complaint please write to the above address.