



82408

# M4 HIGH SPEED TRACTOR (155mm/8-in./240mm)

1/35

## M4高速牵引车(155mm/8-in./240mm)

### PLEASE READ BEFORE OPERATION!

- \* Tools recommended as below: (Not included)  
Adhesives; Paints; Side Cutters; Sharp Edged Pliers; Modeling Knife; Modeling File; Nippers; Drill; Scissors; Sand Paper; Soft Cloth; Cyanoacrylate Glue.
- \* Make sure to read this instruction listed below before assembling.
- \* The kit contains the small parts, they can be dangerous if swallowed by mistake, so keep them away from reach of children.
- \* Cut the all parts off carefully and remove the waste parts into the garbage can.
- \* More caution and care should be needed for cutting and handling the photo etched parts.
- \* Make attention that some parts should be attached the decal when assembled.
- \* During assembling, please tear up and throw away the plastic bags, or may cause the dangerous if wearing over head by children's mistake.
- \* When using the adhesives and paints, please do not use them in the closed room or near the fire, also must be very careful to protect your eyes, face and clothes.
- \* Adult supervised when assembled by children under 14 years old.

### 装配前请仔细阅读:

- \* 推荐使用的模型工具(请自备):  
专用模型胶水, 专用模型油漆, 水口剪刀, 长咀钳, 刀片, 锉刀, 镊子钳, 钻, 剪刀, 软布, 砂纸, 瞬间快干胶等。
- \* 用水口剪刀或刀片小心切下所有塑胶零件和蚀刻片零件, 不要遗失小零件。
- \* 切取蚀刻片时应特别注意防止利边划伤手指。
- \* 用模型锉刀小心锉平所有零件表面的注射浇口。
- \* 用适量的强力快干胶水粘合蚀刻片零件和金属轴, 切忌过量, 否则可能导致可动零件被粘住。
- \* 注意某些零件表面需在装配时同步贴水上贴纸。
- \* 制作时应远离幼儿并将包装袋及时收妥, 谨防小孩玩耍而引起意外。



cyanoacrylate glue  
强力胶



weight  
配重



make hole  
钻孔



cut / remove  
切除



option  
选择



no cement  
不涂胶水



decal  
贴纸



bend  
弯曲

### The way to apply the decals

1. Cut off the decal from the decal paper and put it into the warm water 40 C for 10 seconds.
2. Take the decal from the water and put it on a piece of clean cloth.
3. Remove the decal slowly from the paper to the targeted location by a wet finger.
4. Use a piece of dry and soft cloth to press it gently on the decal until it getting dry and no bubble existing.

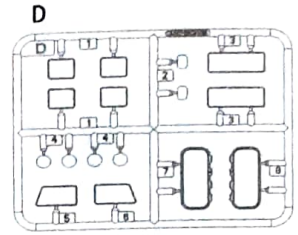
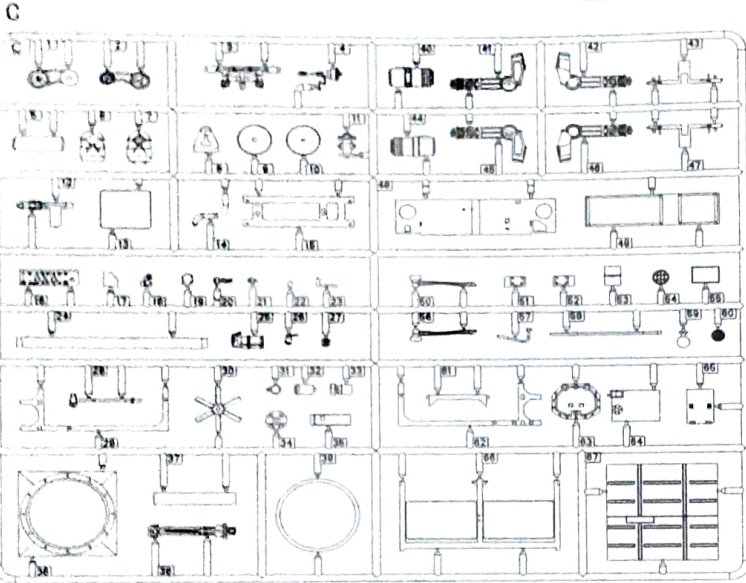
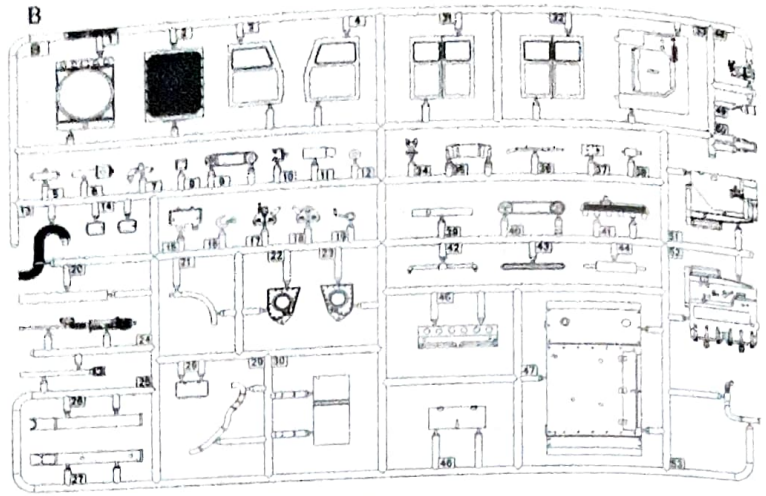
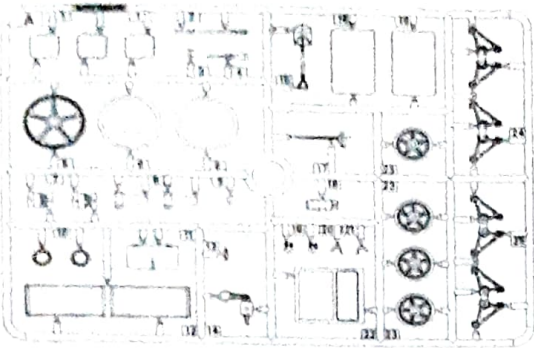
### 水贴纸的使用方法:

- 一. 把相关的印花从水贴纸上剪下, 放入40℃左右的温水中浸10秒。
- 二. 然后将印花放在干净的布上。
- 三. 拿上印花纸板, 手指蘸水将印花移到适当的位置。
- 四. 用软干布轻压印花直至水干, 气泡消失。

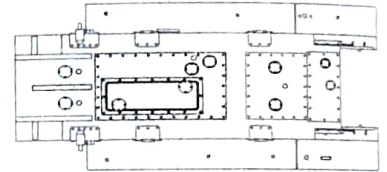
# 部品图

# Parts

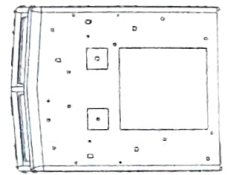
AX2



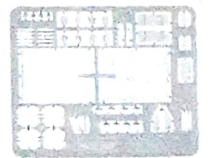
《车底》  
LOWER HULL



《驾驶室》  
CAB



《蚀刻片》  
PE



《遮盖纸》  
Die-cut mask



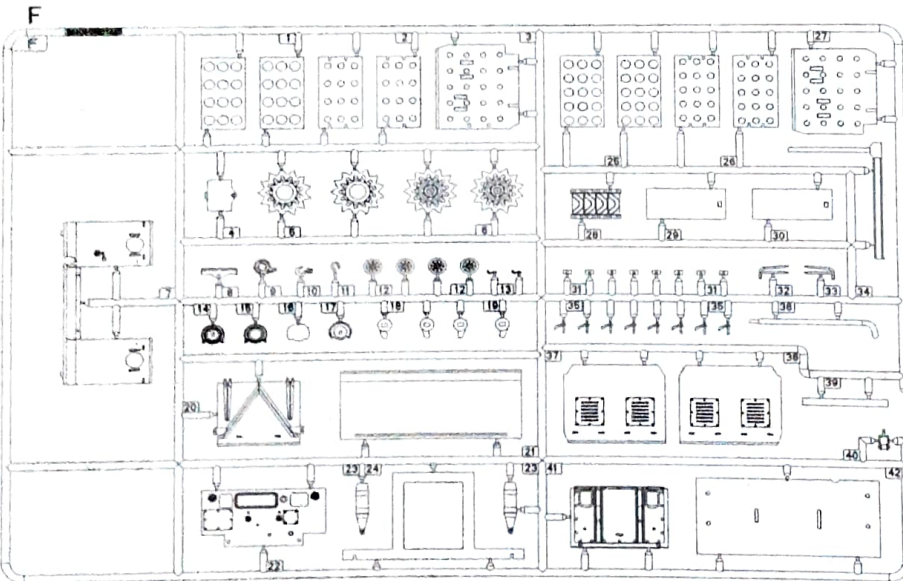
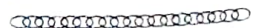
《贴纸》  
Decal



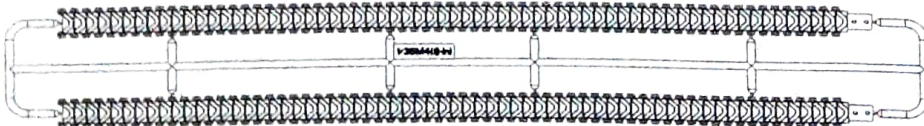
《棉绳》 $\varnothing 0.8 \times 1000\text{mm}$   
Rope



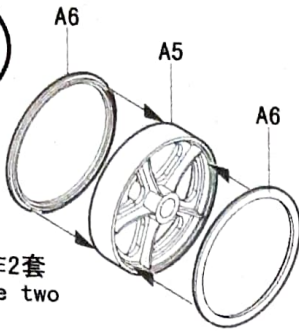
《链条》 $1.1 \times 0.7 \times 250\text{mm}$   
Chain



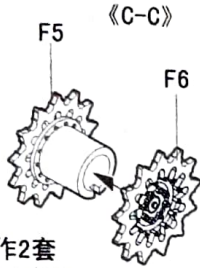
《履带》  
TRACK



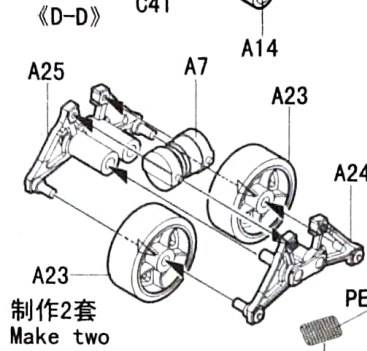
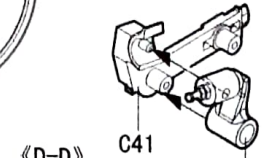
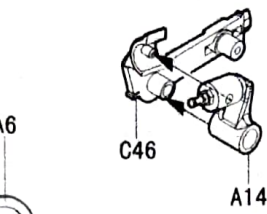
**1**  
STEP



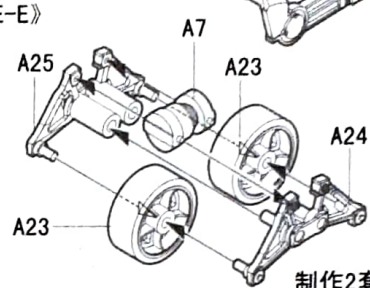
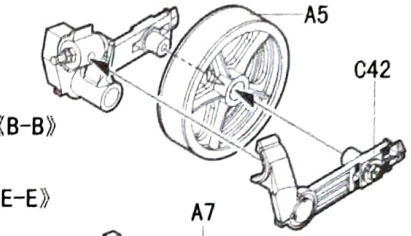
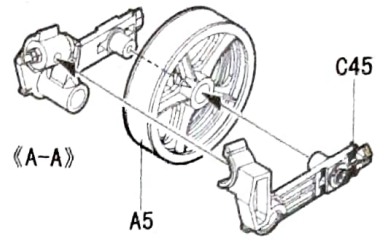
制作2套  
Make two



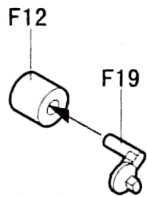
制作2套  
Make two



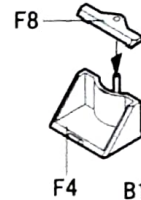
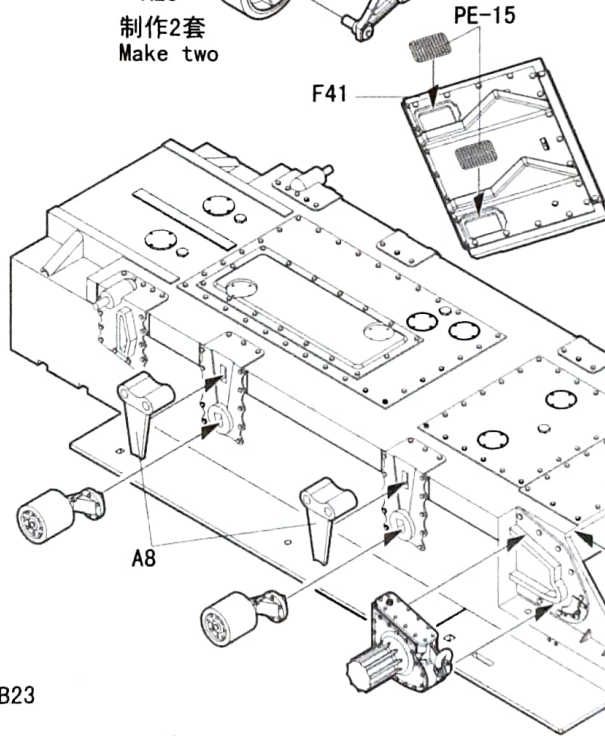
制作2套  
Make two



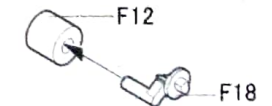
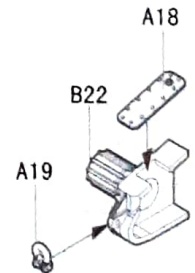
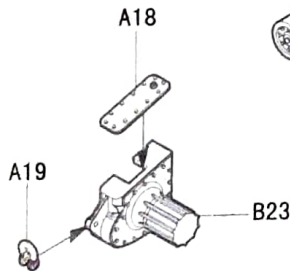
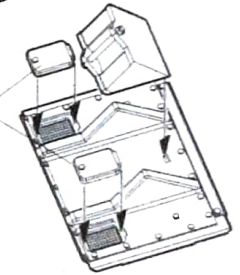
制作2套  
Make two



制作2套  
Make two

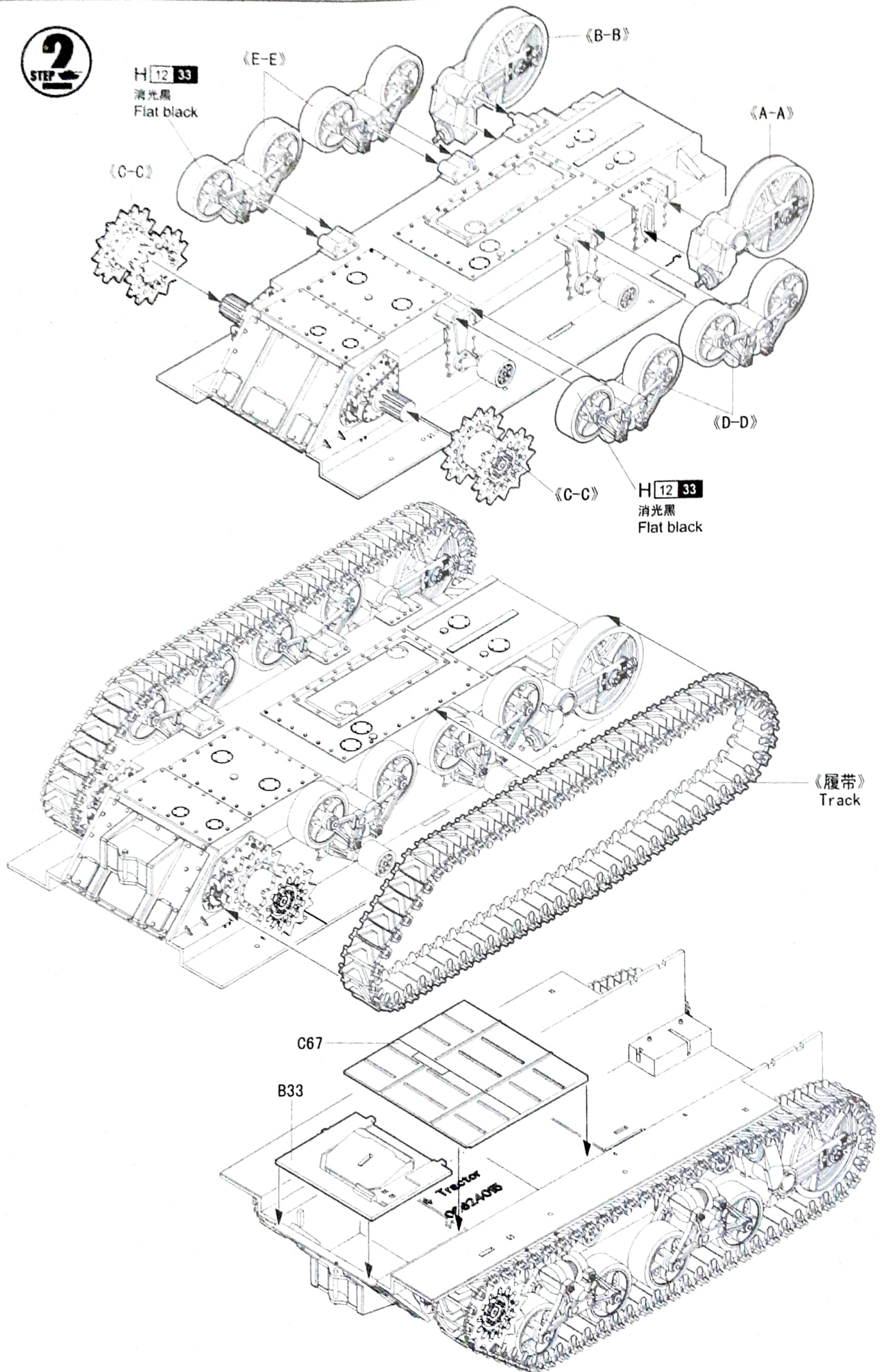


B14

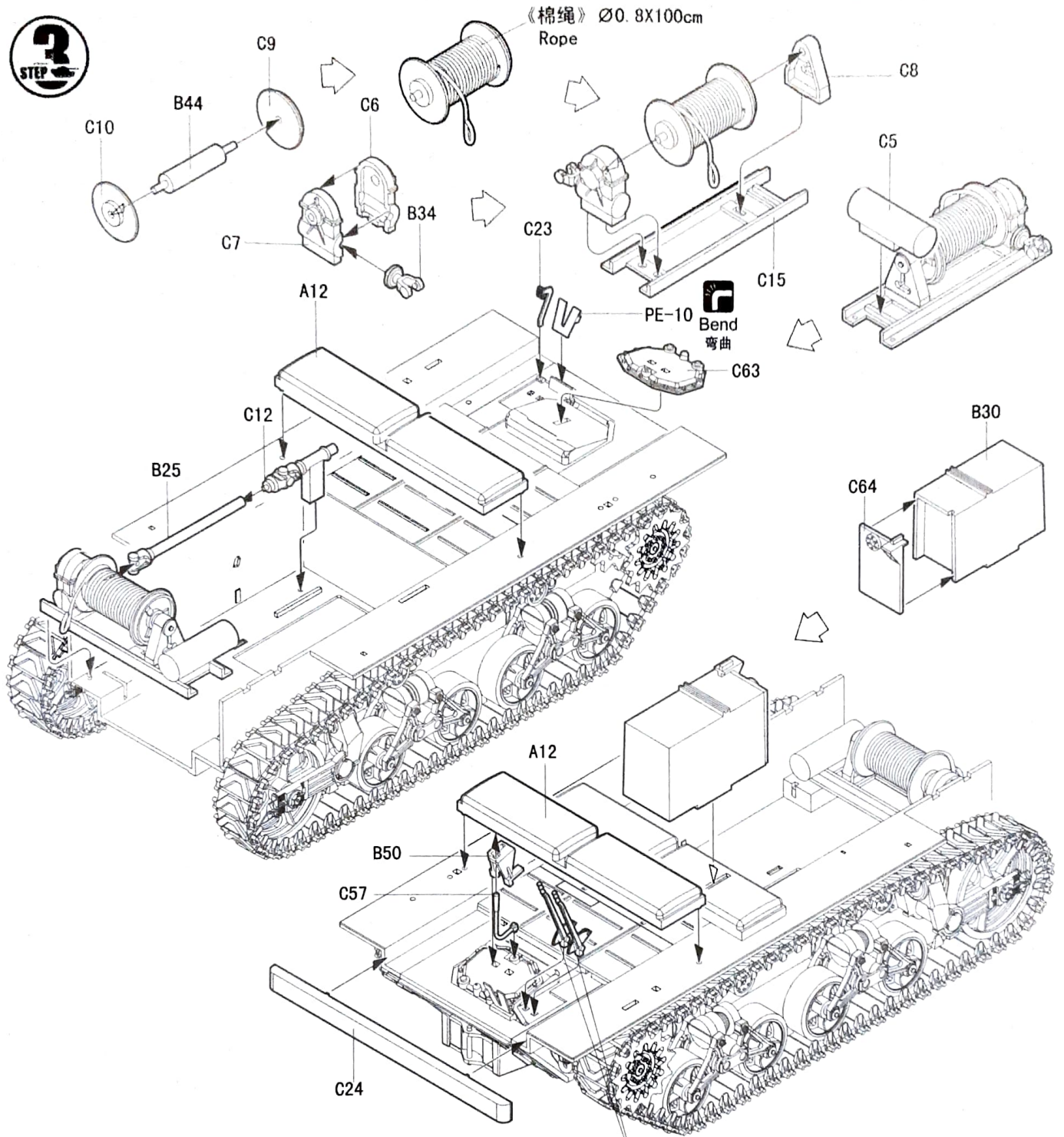


制作2套  
Make two

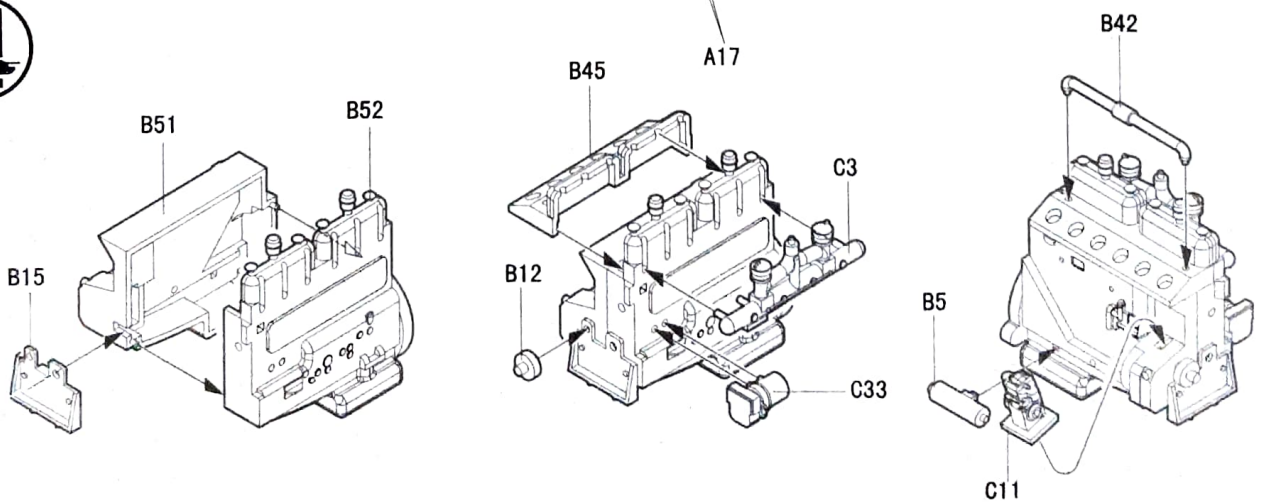
**2**  
STEP



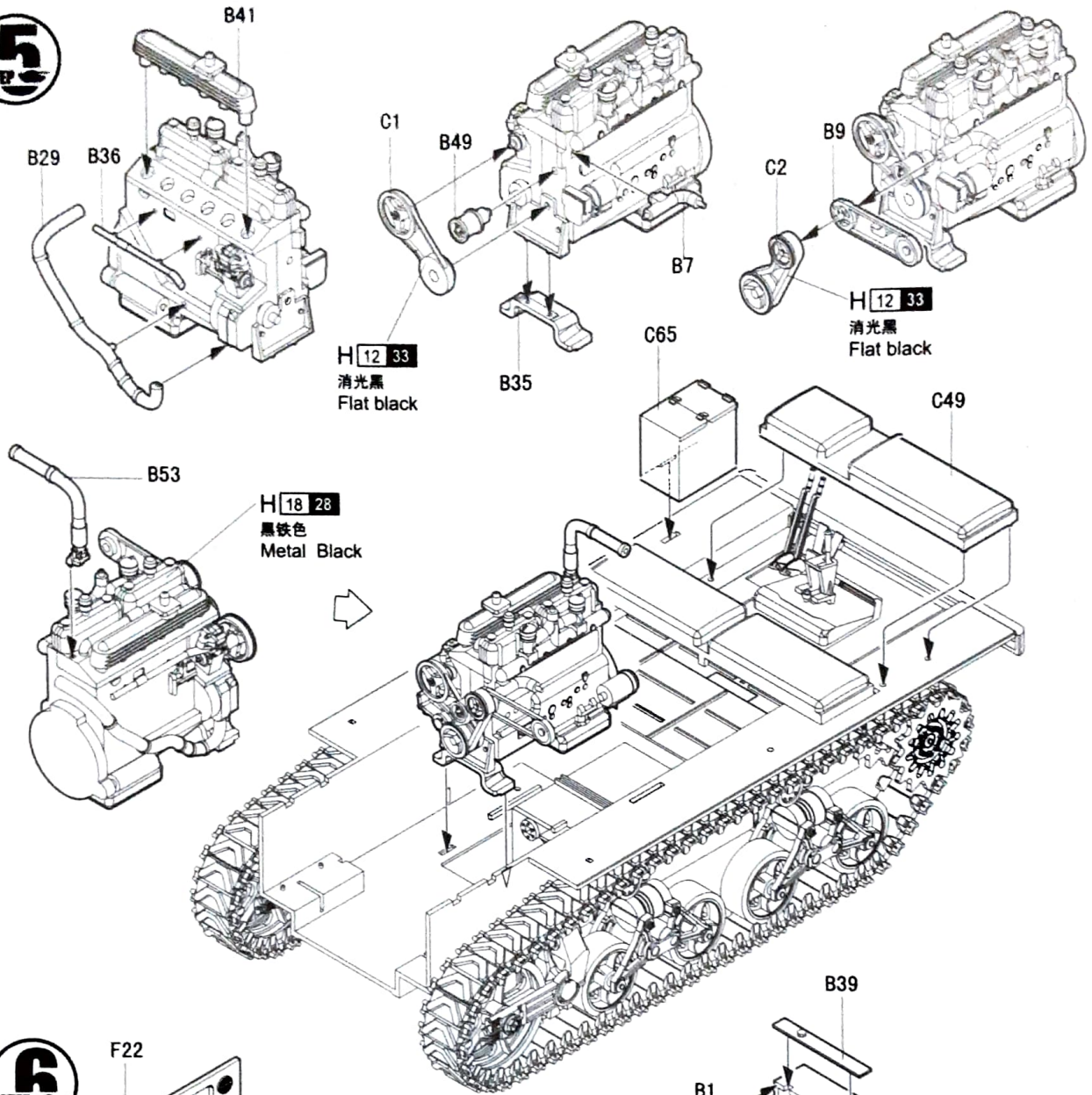
**3**  
STEP



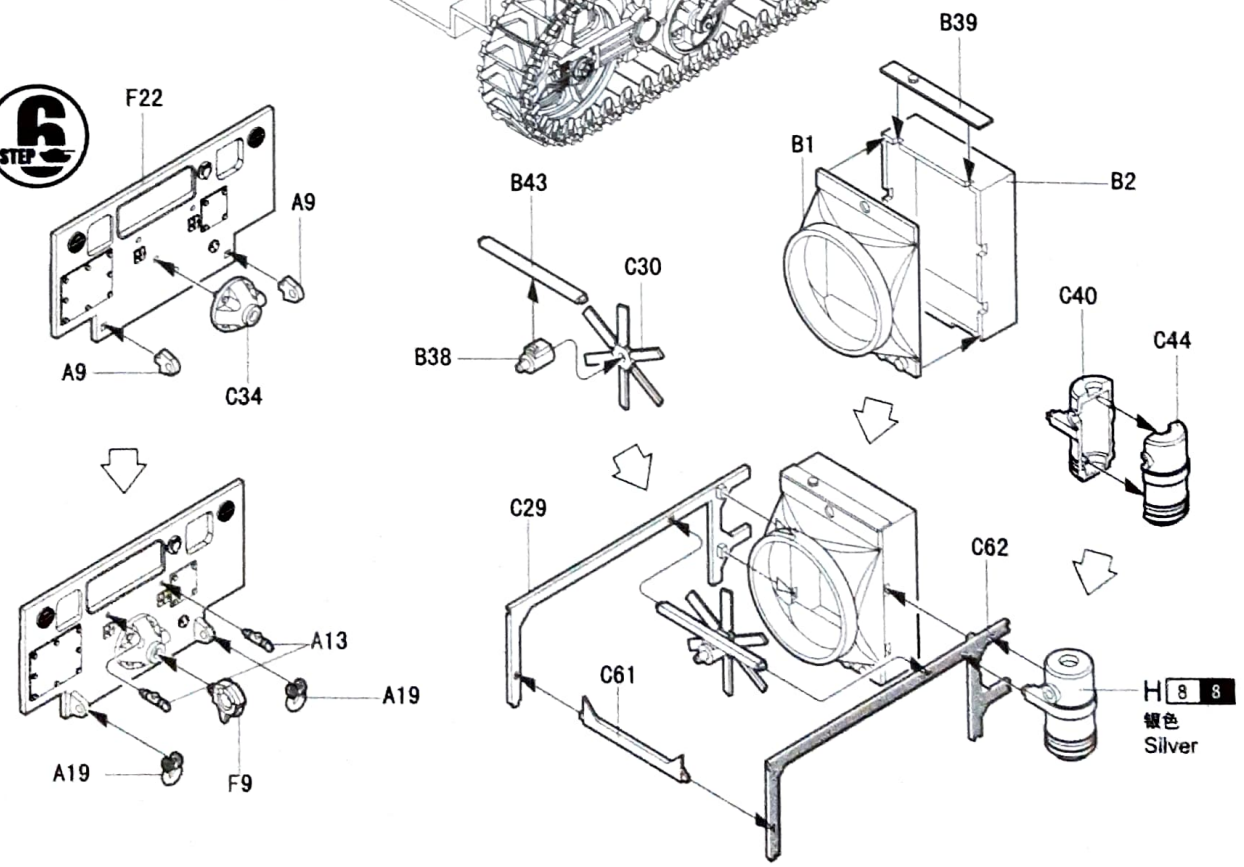
**4**  
STEP



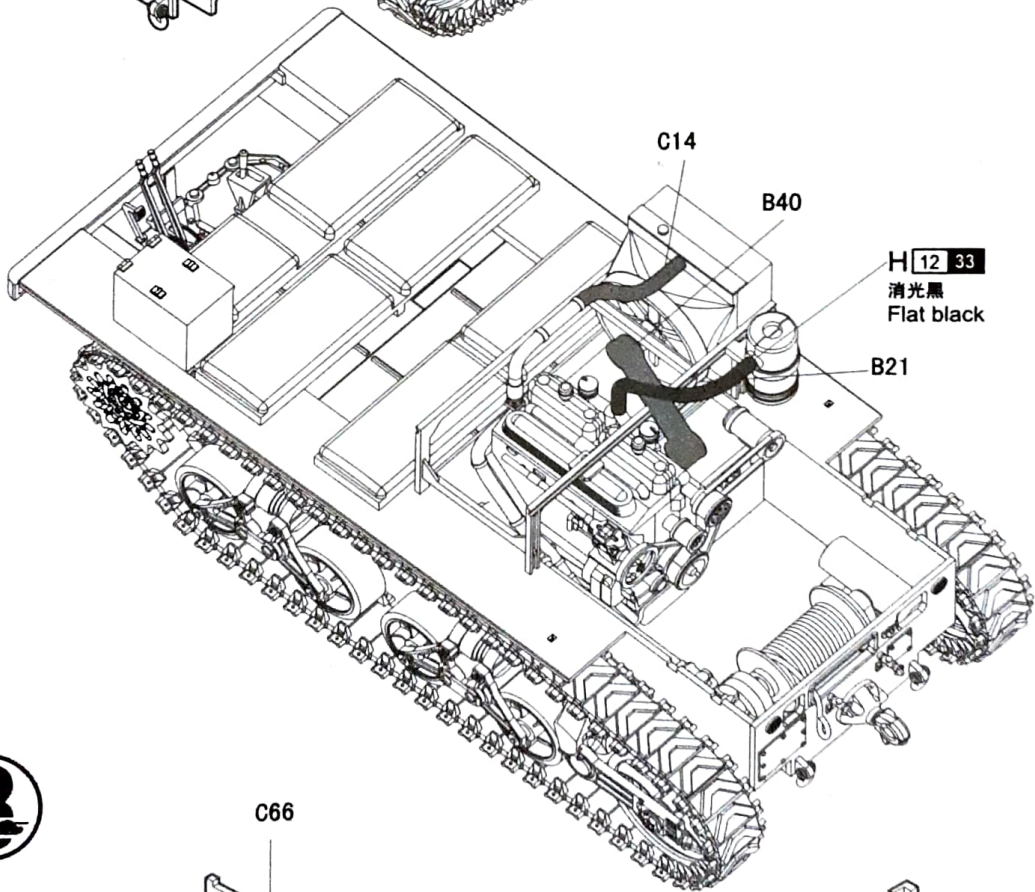
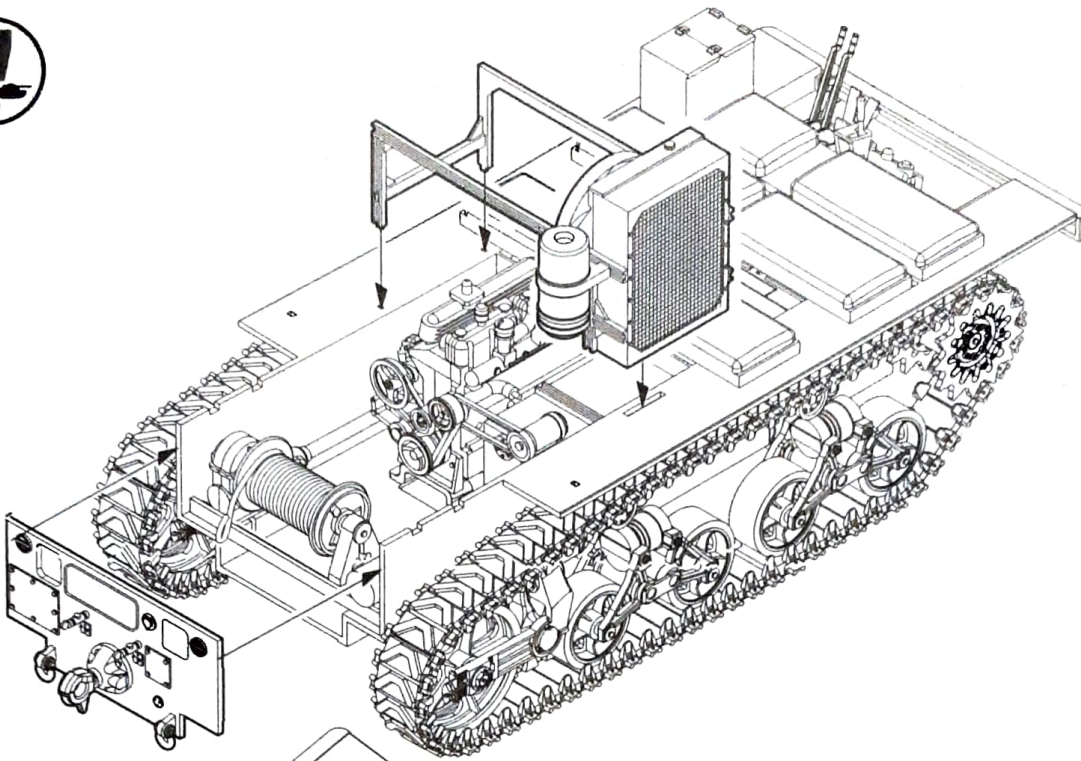
**5**  
STEP



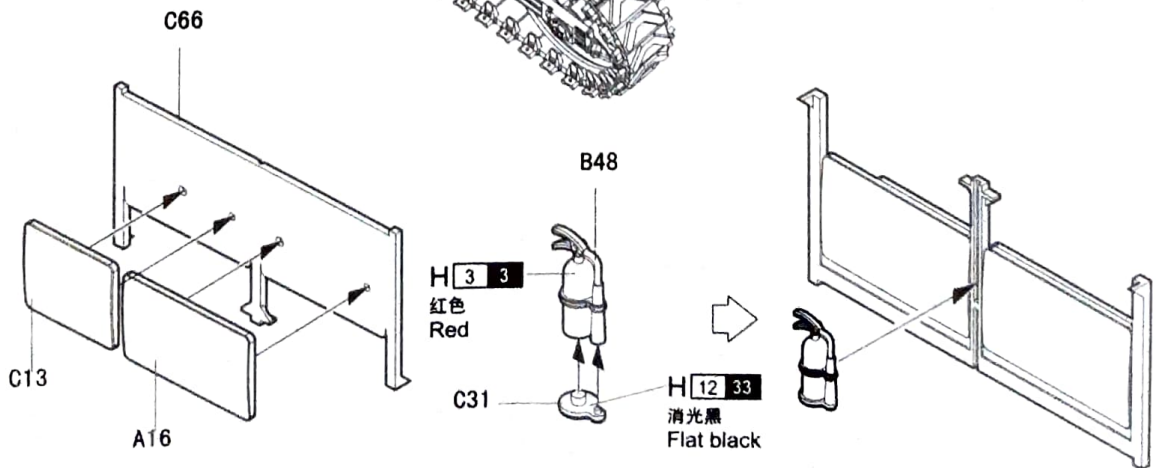
**6**  
STEP

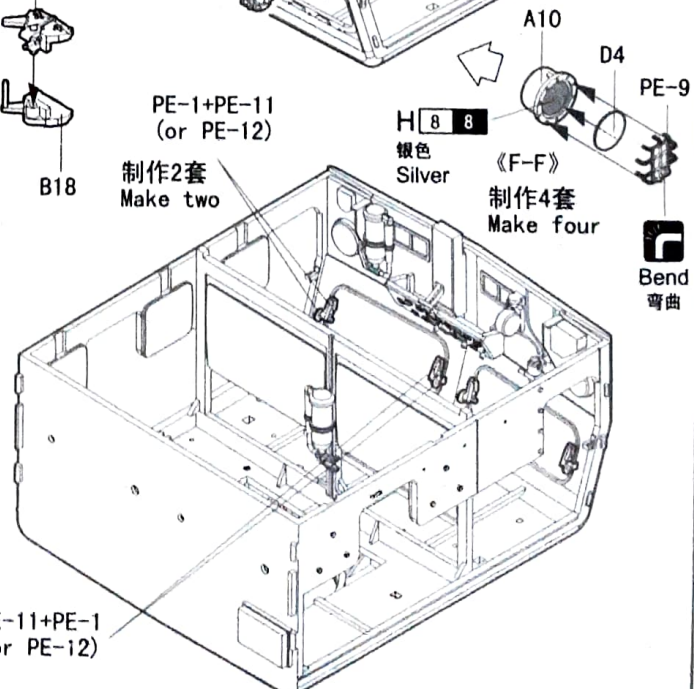
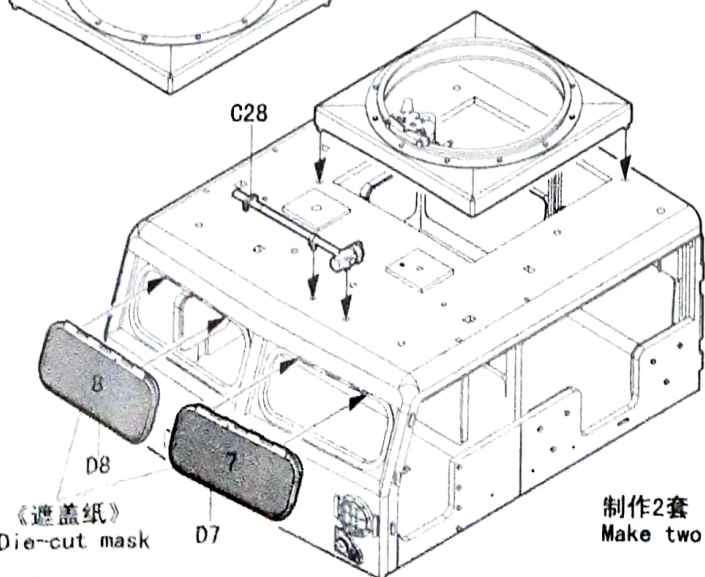
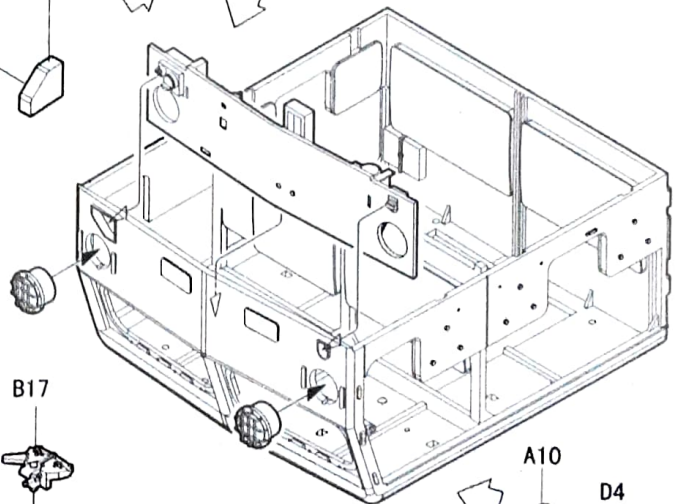
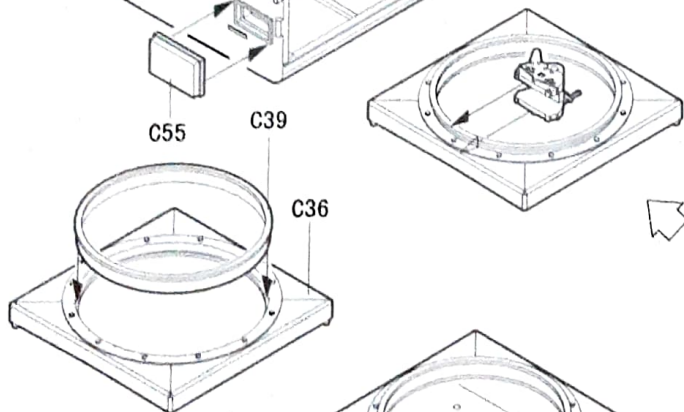
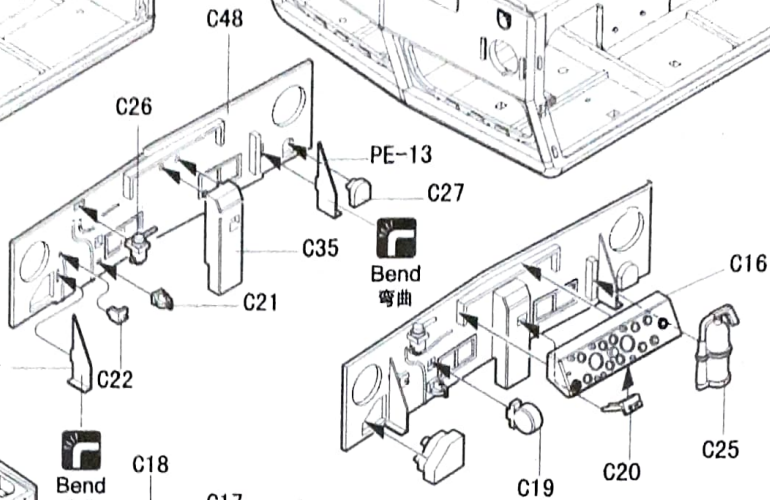
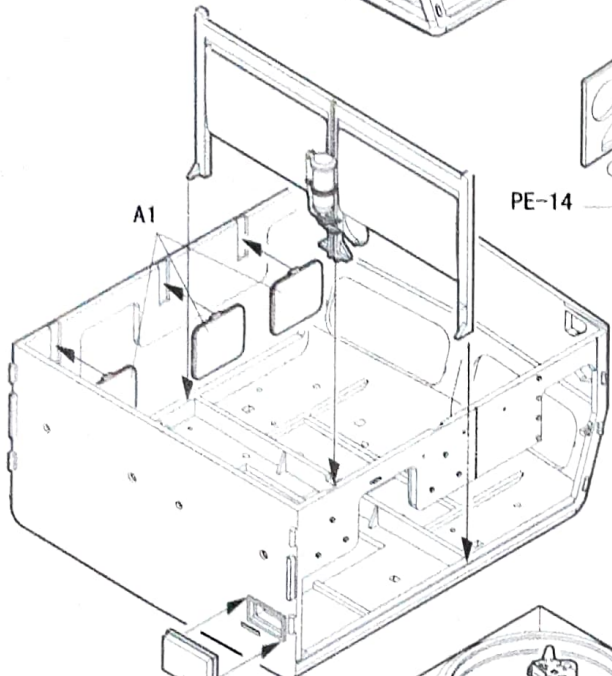
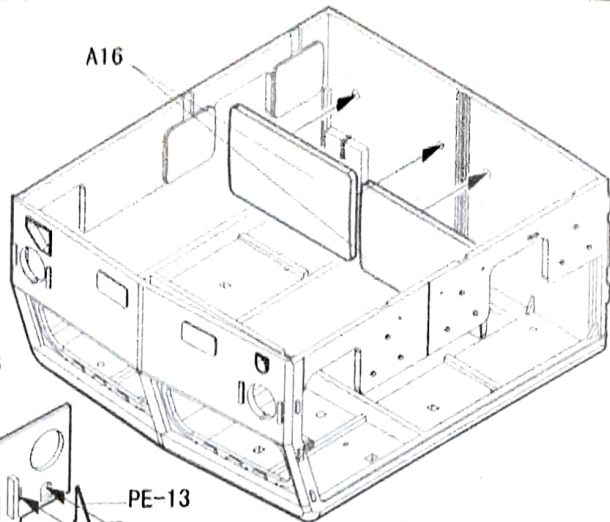
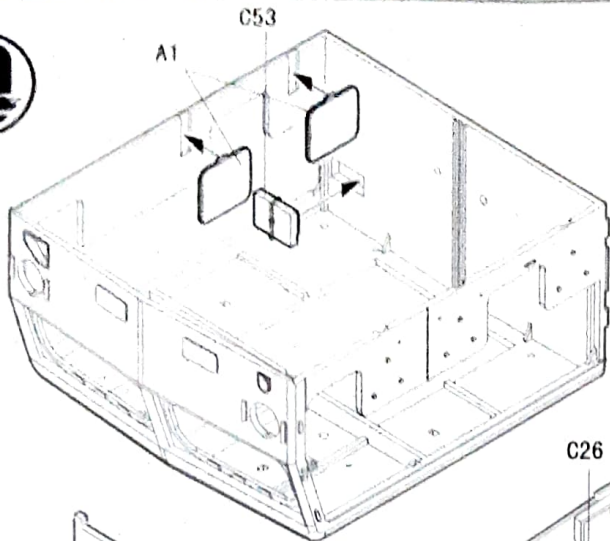


**7**  
STEP



**8**  
STEP







**10**  
STEP

H 18 28

黑铁色  
Metal Black

A11

H 84 42

桃木色  
Mahogany

F28

A15

A15

A11

H 84 42

桃木色  
Mahogany

H 18 28

黑铁色  
Metal Black

A4

C38

C50

C56

A4

B32

H 18 28

黑铁色  
Metal Black

H 84 42

桃木色  
Mahogany

PE-5

《车门》  
Door

B4

A22

PE-3

B31

PE-3

PE-3

D6

D1

D1

PE-2

PE-2

《关闭状态》  
CLOSE

《L》

《遮盖纸》  
Die-cut mask

《遮盖纸》  
Die-cut mask  
《R》

《车门》  
Door

打开状态  
OPENING  
option  
选择



PE-3  
bend  
弯曲

A22

B32

B3

PE-3

bend  
弯曲

《R》

A22

B31

B4

PE-3

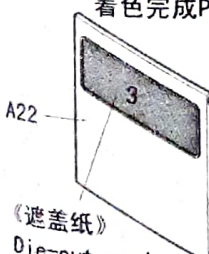
bend  
弯曲

《L》

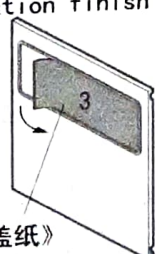
PE-3

bend  
弯曲

着色完成 Pigmentation finish



《遮盖纸》  
Die-cut mask

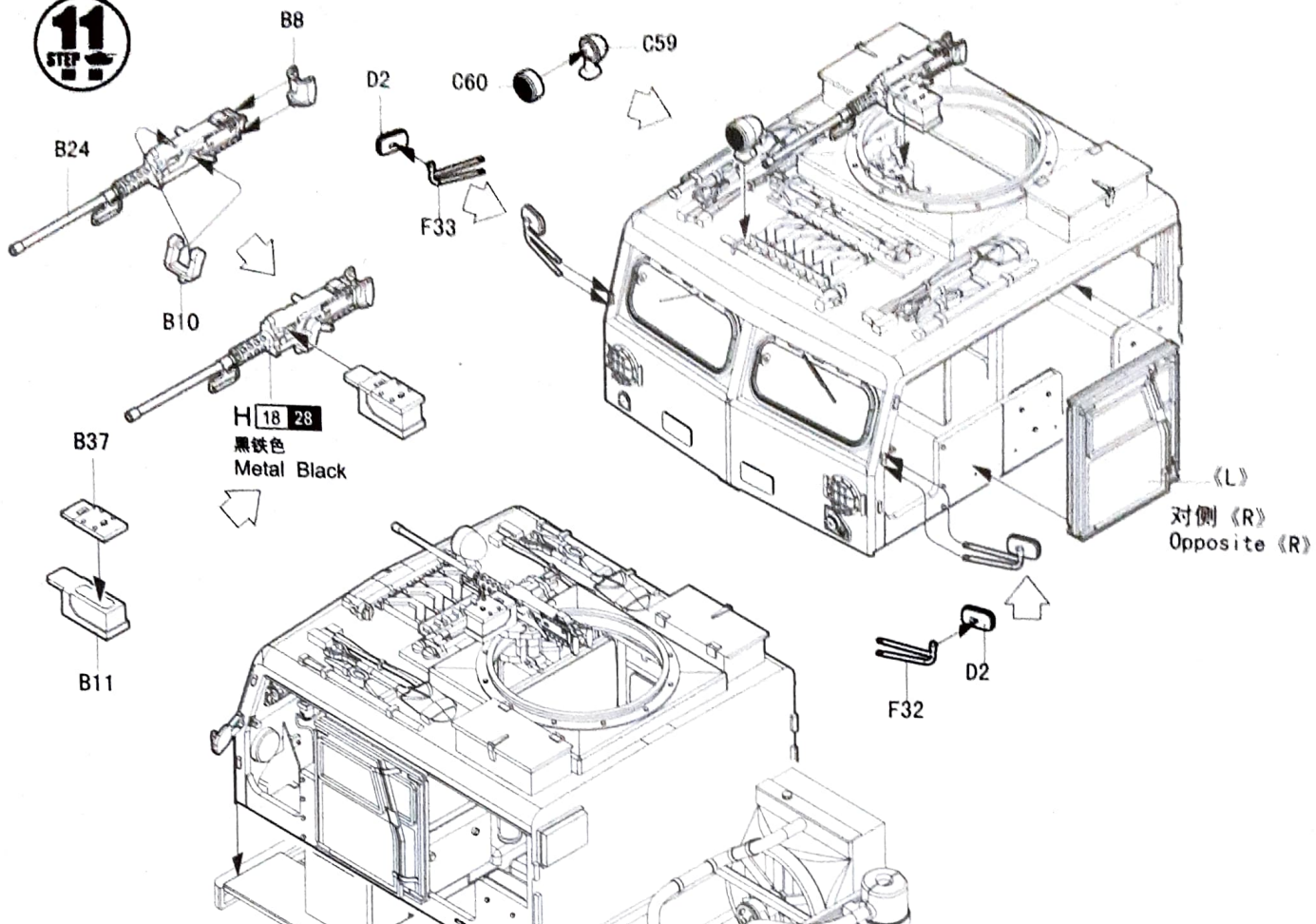


《遮盖纸》  
Die-cut mask

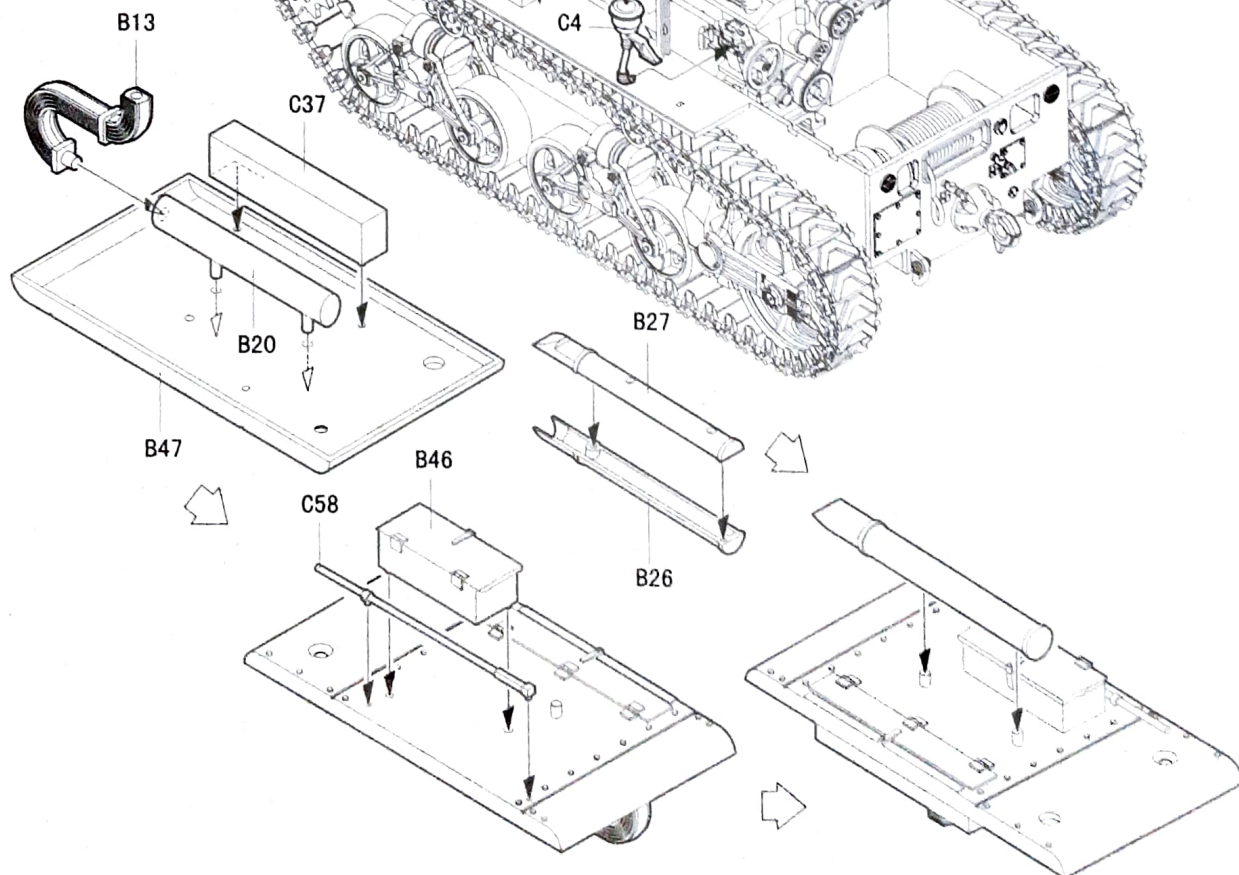
How to use the die-cut mask :  
1. The die-cut mask (or sticker) used for accurate the window frame painting. Stick it to the inner area.  
2. Once the painting is dry. Peel off easily with a tweezer.

遮盖纸使用方法:  
1. 把遮盖纸按窗口大小贴上, 再进行着色。  
2. 着色完成, 干透后, 用镊子去掉遮盖纸。

**11**  
STEP



**12**  
STEP



**13**  
STEP

F35  
F31  
制作8套  
Make eight

?  
option  
选择

F26  
制作2套  
Make two

F2  
F3  
制作2套  
Make two

PE-4

F27

F3

F39

PE-4

C43

《F-F》

PE-6  
bend  
弯曲

F13

F7

《F-F》

F37

F1

?  
option  
选择

F25

F23

F24

F24

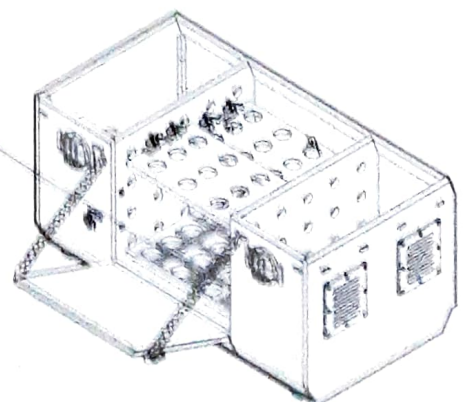
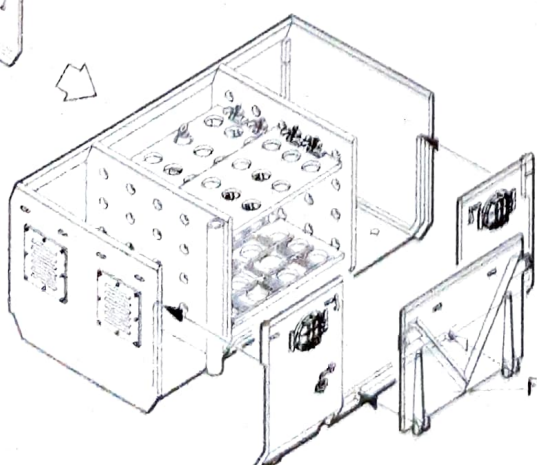
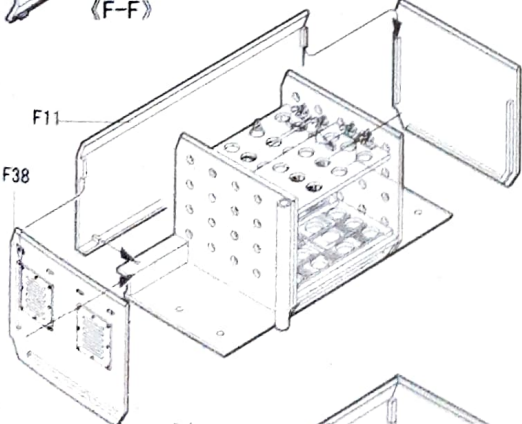
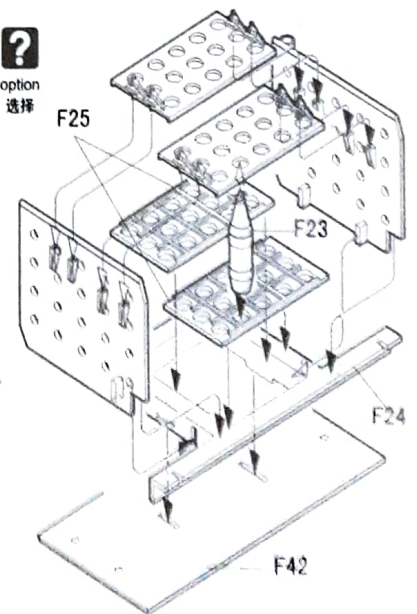
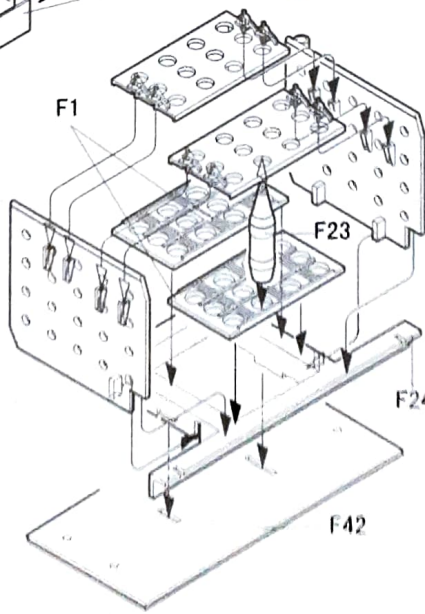
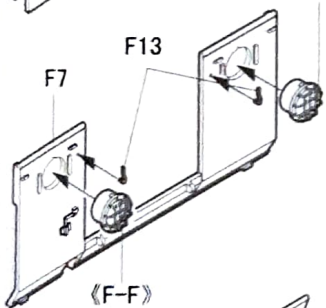
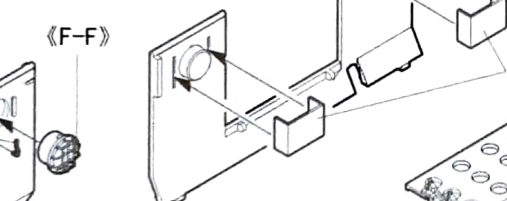
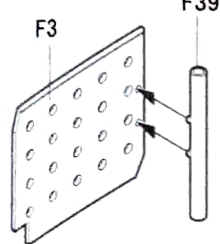
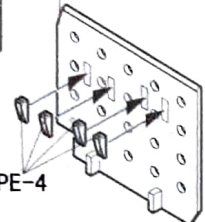
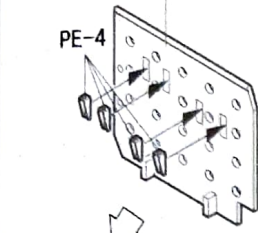
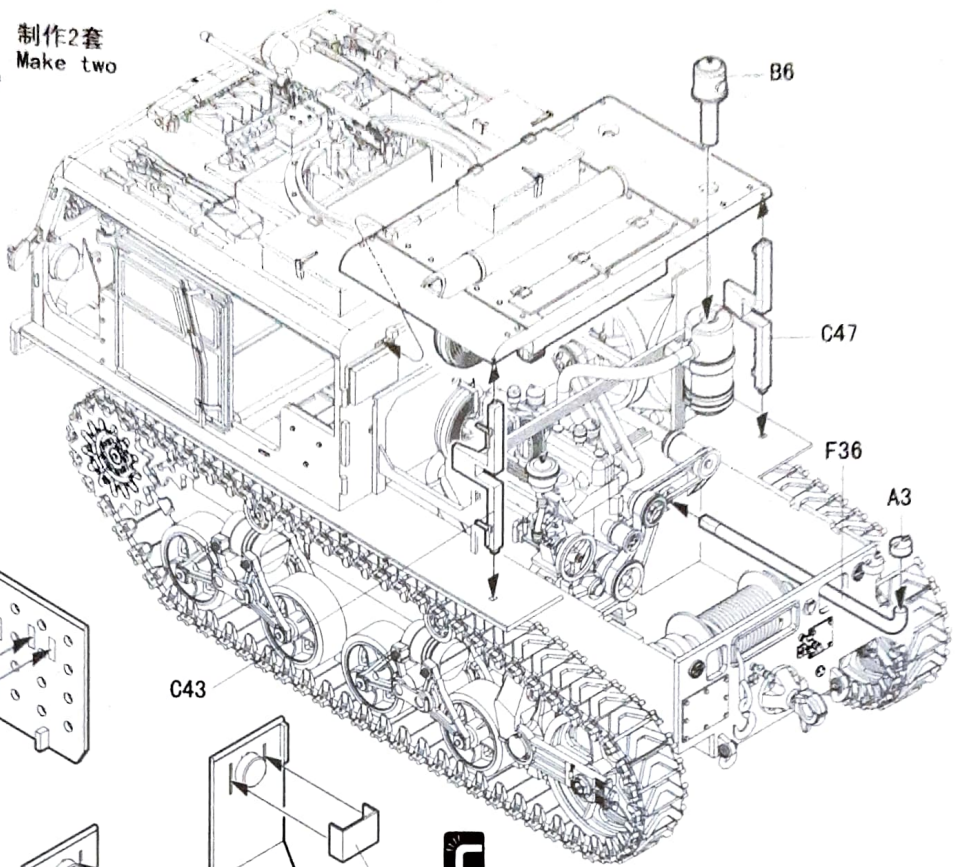
F42

F42

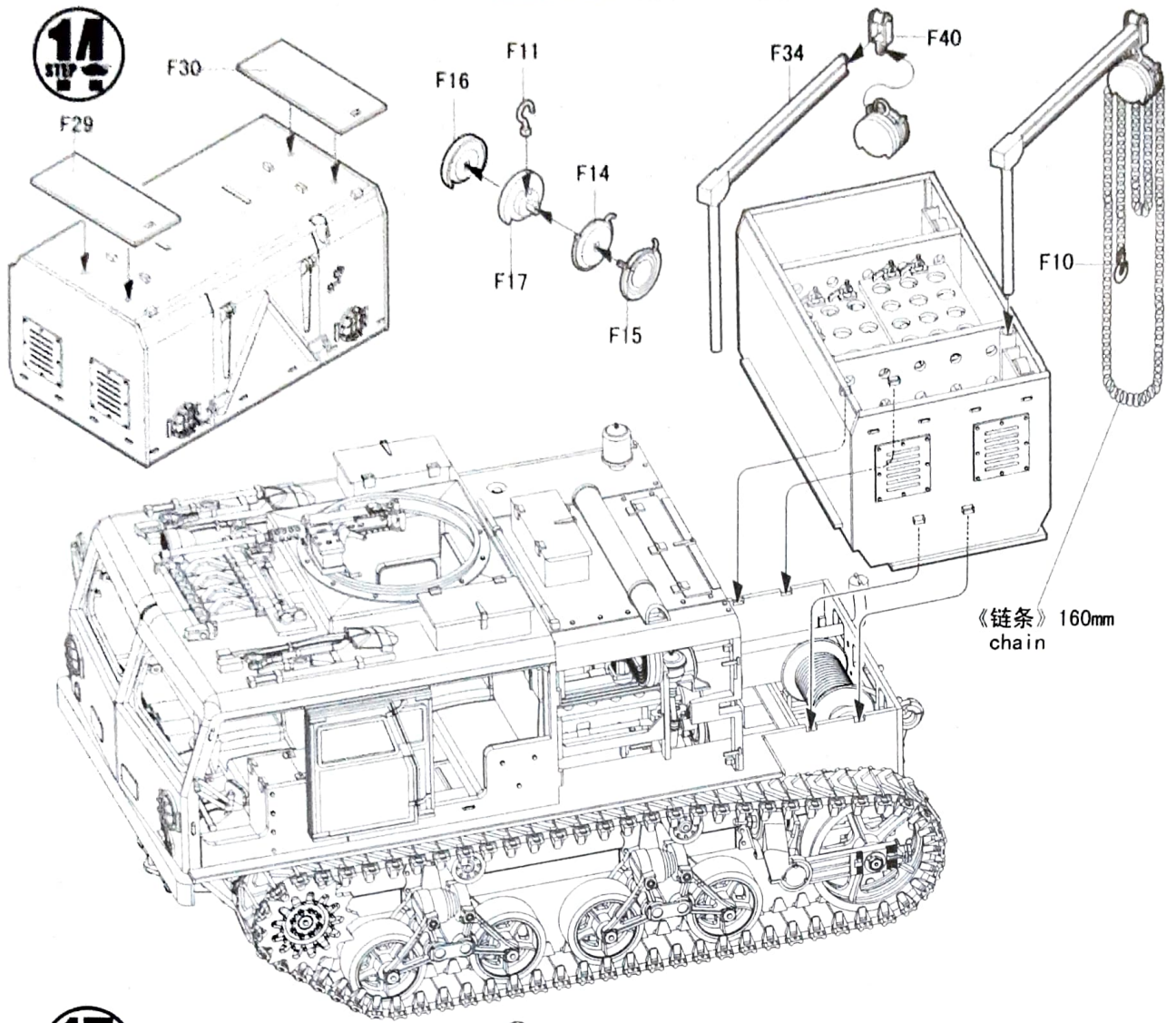
《链条》 30mm  
chain

?  
option  
选择

F20



14  
STEP



15  
STEP

