

#72.01 1/72 SCALE
#48.01 1/48 SCALE
#32.01 1/32 SCALE

RCAF GOLDEN HAWKS SABRE

High Quality Model Decal

Decals provided to represent several options of either Mk5 or Mk 6 Sabre Golden Hawks display team aircraft.

**Leading
Edge** MODELS



1963 Mk 6 Sabre



1962 Mk 6 Sabre



1959 Mk 5 Sabre



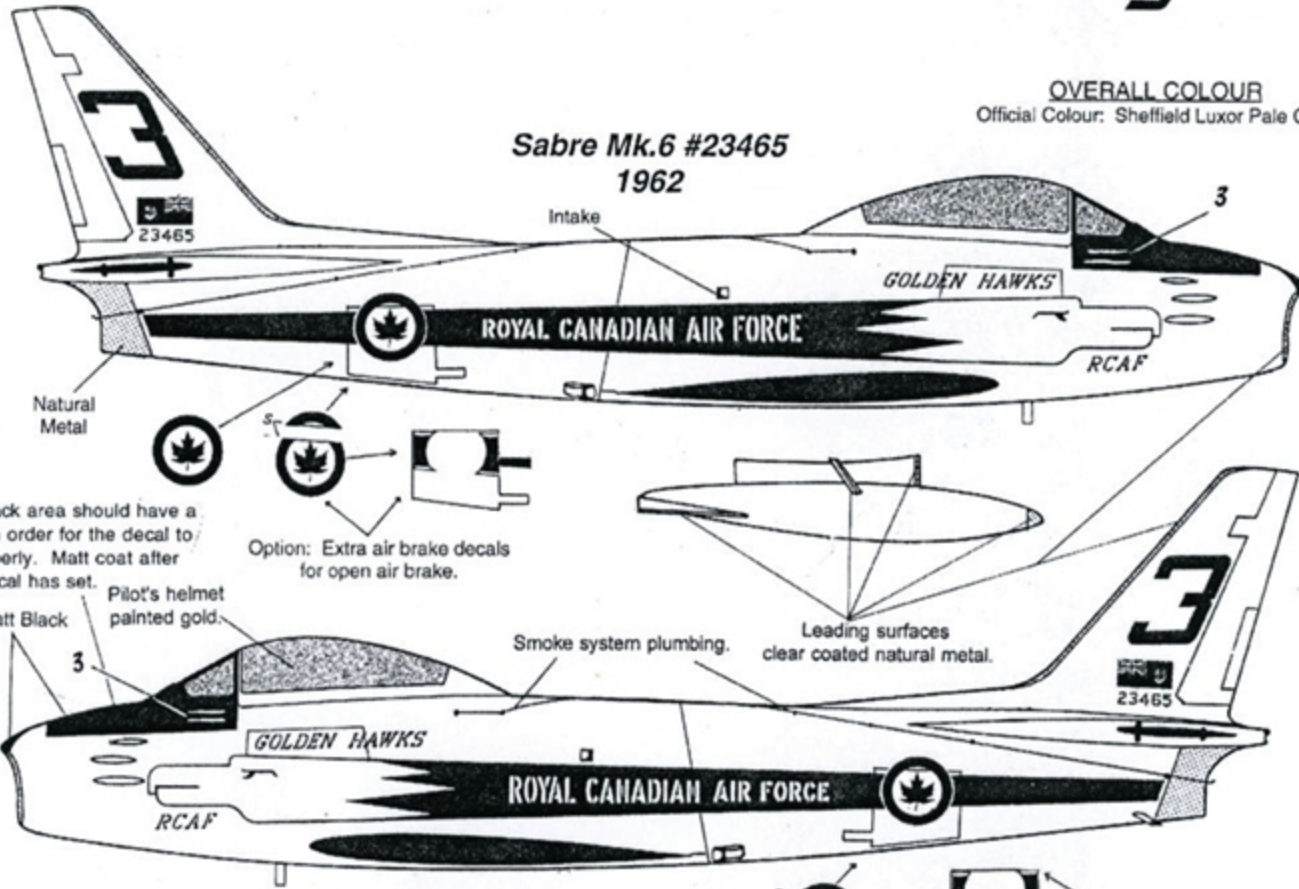
1959 Mk5 Sabre
solid gold paint scheme
and internal smoke piping.



METALLIC
PALE GOLD

**GOLDEN HAWKS SABRE MK.6
 1962/1963 AEROBATIC TEAM**

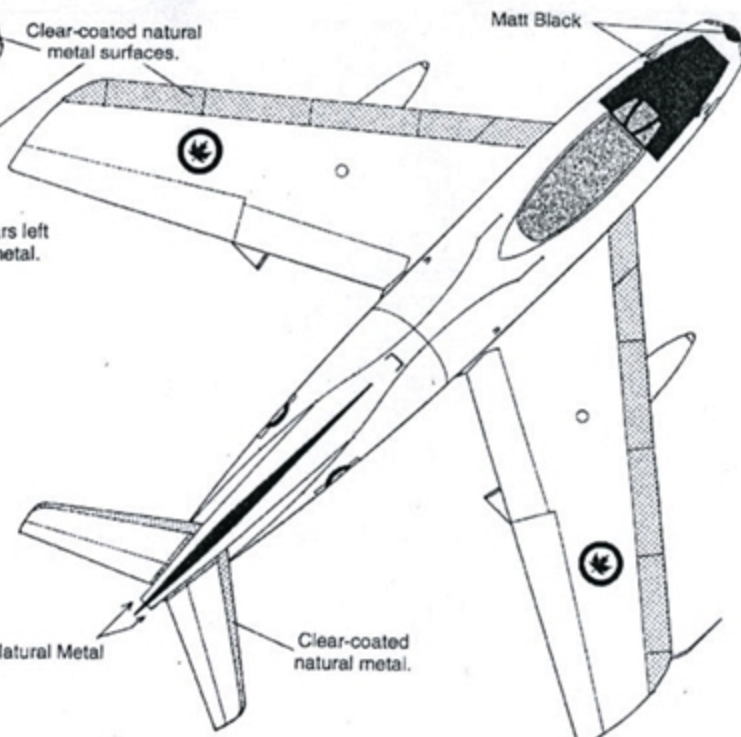
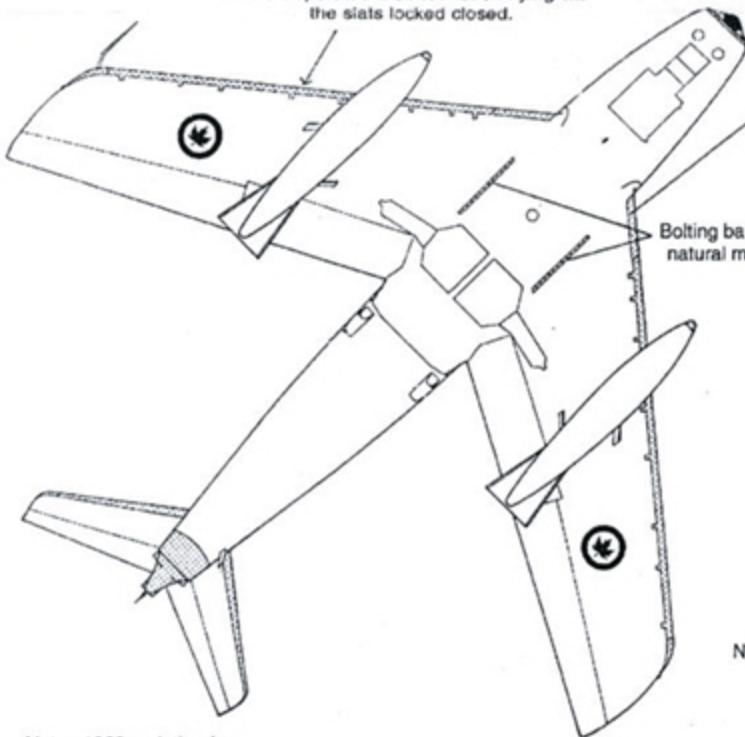
OVERALL COLOUR
 Official Colour: Sheffield Luxor Pale Gold



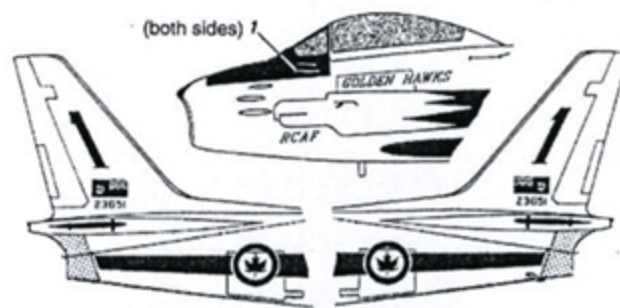
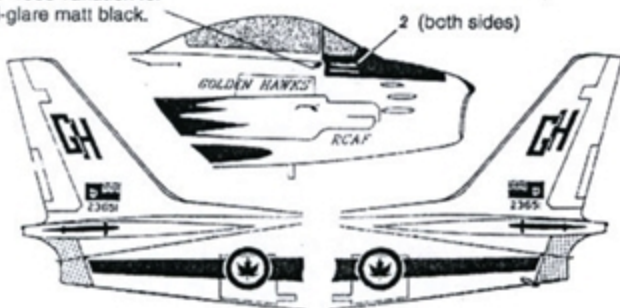
Note: Matt black area should have a gloss finish in order for the decal to adhere properly. Matt coat after decal has set.

It is understood that the Golden Hawks MK6 aircraft operated their formation flying with the slats locked closed.

NOTE: White stripe runs along top of air brake.

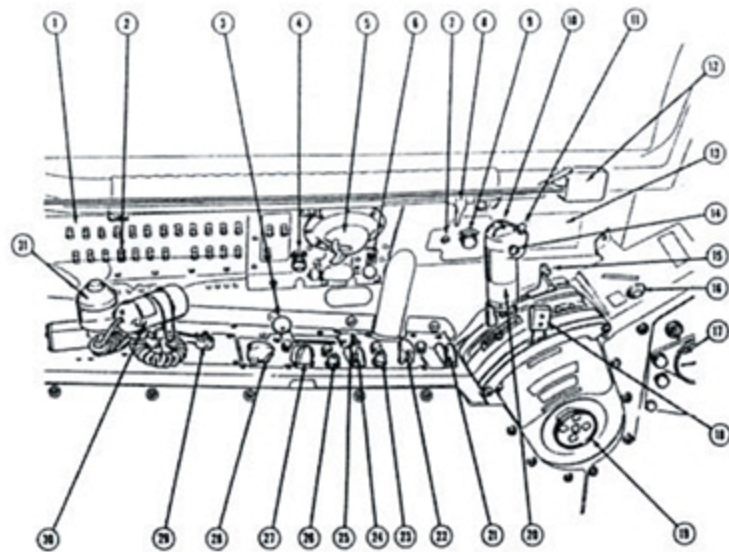


Note: 1963 variation for anti-glare matt black.

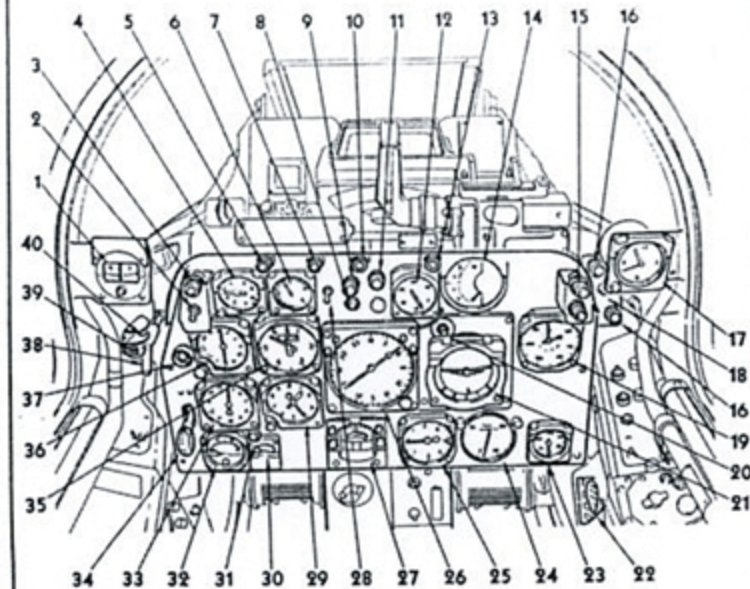


**Sabre Mk.6 #23651
 1963**

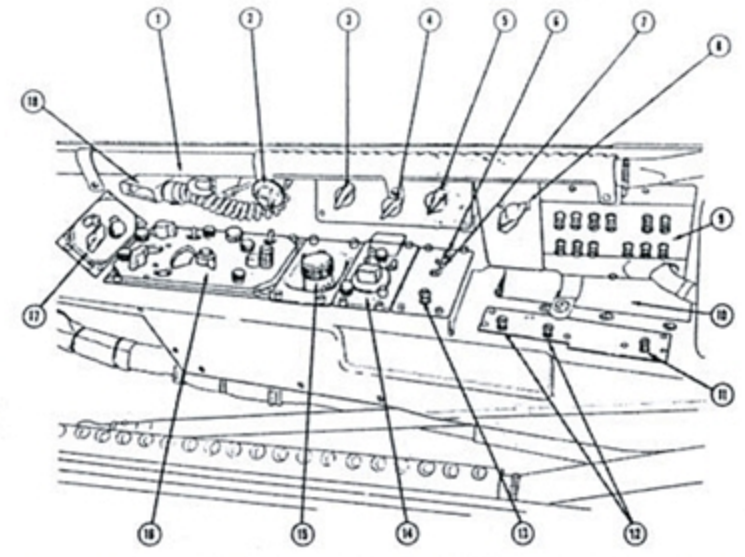
**Sabre Mk.6 #23651
 1962**



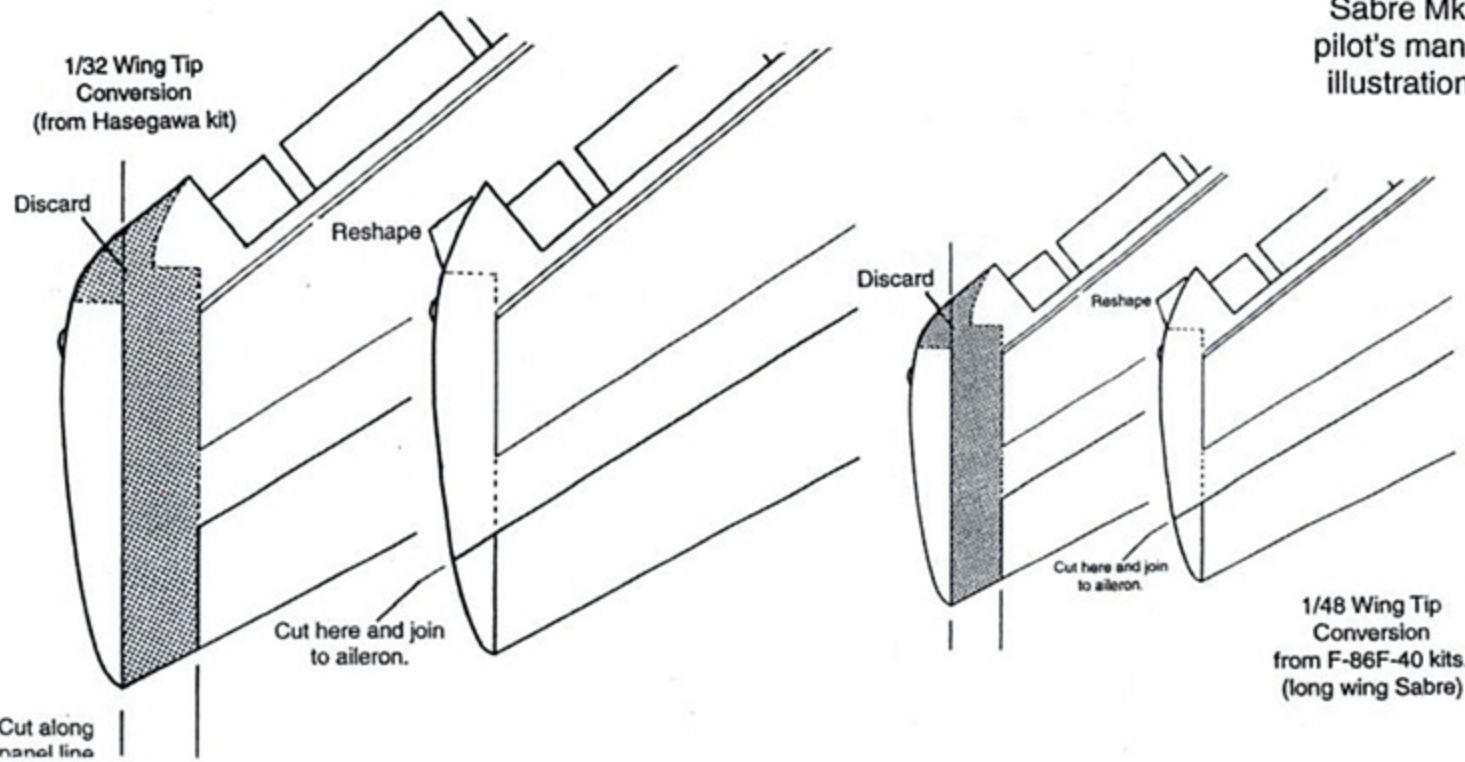
- | | |
|---|---|
| 1 Left circuit breaker panel. | 15 Jet pipe temperature limiter override tell tale. |
| 2 Landing gear control circuit breaker | 16 Bomb-rocket-tank jettison button. |
| 3 Cockpit air outlet selector. | 17 Oxygen regulator. |
| 4 Windshield anti-ice overheat warning light. | 18 Wing flap control. |
| 5 Cockpit sidewall air outlet. | 19 Throttle friction wheel. |
| 6 Windshield anti-ice control. | 20 Throttle control lever. |
| 7 Rocket release indicator dial. | 21 Flight control switch. |
| 8 Canopy and windshield auxiliary defrost control. | 22 Longitudinal alternate trim switch. |
| 9 Rocket release control. | 23 Rudder trim switch. |
| 10 Speed brake switch. | 24 Cockpit pressure control switch. |
| 11 Gunsight gyro caging button. | 25 Lateral alternate trim switch. |
| 12 Tow target emergency release. (Aircraft 23371 to 23430 inclusive.) | 26 Cockpit pressure schedule switch. |
| 13 Fuel specification placard. | 27 Cockpit temperature control rheostat. |
| 14 Microphone button. | 28 Cockpit temperature control switch. |
| | 29 Drop tank pressure shut-off lever. |
| | 30 Console floodlight. |
| | 31 Anti-G suit valve |



- | | | |
|---|--|--|
| 1 STANDBY MAGNETIC COMPASS | 13 TAKE-OFF TRIM POSITION INDICATOR LIGHT | 26 CYRO COMPASS |
| 2 EMERGENCY FUEL CONTROL SWITCH | 14 JET PIPE TEMPERATURE INDICATOR | 27 TURN AND BANK INDICATOR |
| 3 EMERGENCY FUEL CONTROL WARNING LIGHT | 15 DROP TANKS EMPTY WARNING LIGHTS | 28 HYDRAULIC PRESSURE GAUGE SELECTOR SWITCH |
| 4 ACCELEROMETER | 16 FIRE WARNING LIGHTS | 29 ALTITUDE WARNING LIGHT |
| 5 MAIN INSTRUMENT INVERTER WARNING LIGHT | 17 CLOCK | 30 LOADMETER |
| 6 HYDRAULIC PRESSURE GAUGE | 18 FIRE WARNING LIGHT TEST BUTTON | 31 GENERATOR WARNING LIGHT |
| 7 BOTH INSTRUMENT INVERTERS WARNING LIGHT | 19 TACHOMETER | 32 VOL. METER |
| 8 CYRO COMPASS FAST SLAVING BUTTON | 20 ARTIFICIAL HORIZON FAST ERECTION BUTTON | 33 MACHMETER |
| 9 FLIGHT CONTROL ALTERNATE-ON LIGHT | 21 ARTIFICIAL HORIZON ERECTION BUTTON | 34 LANDING GEAR SELECTOR HANDLE |
| 10 MAIN RADAR INVERTER WARNING LIGHT | 22 ALTERNATE CANOPY JETTISON RELEASE | 35 AIRSPEED INDICATOR |
| 11 LOW FUEL PRESSURE WARNING LIGHT | 23 CARBON ALTIMETER | 36 RADIO COMPASS |
| 12 OIL PRESSURE GAUGE | 24 FUEL QUANTITY GAUGE | 37 LANDING GEAR EMERGENCY UP BUTTON |
| | 25 VERTICAL SPEED INDICATOR | 38 PARKING BRAKE HANDLE |
| | | 39 TOW TARGET JETTISON SWITCH (ON AIRCRAFT 23371 TO 23430 INCLUSIVE) |
| | | 40 CANOPY ACTUATING SWITCH |



- | | |
|--|---|
| 1 Cockpit sidewall air outlet control. (behind console light). | 10 Map case. |
| 2 Console floodlight mount. | 11 Fire warning circuit breaker. |
| 3 Instrument panel primary light rheostat. | 12 Instrument inverter circuit breakers. (Aircraft 23371 to 23490 inclusive.) |
| 4 Instrument panel auxiliary light rheostat. | 13 Ice detector circuit breaker. |
| 5 Console and panel light control rheostat. | 14 IFF control panel. |
| 6 Air intake duct pitot heater switch. | 15 Gunsight test plug. |
| 7 Drop tanks empty lights switch. | 16 Radio compass control panel. |
| 8 N-9 camera lens aperture selector. | 17 VHF control panel. |
| 9 Right circuit breaker panel. | 18 Console floodlight. |



Sabre Mk.6 pilot's manual illustrations.

