

# Northrop YA-9A

## 1/72 scale resin model kit #AA-2021

In 1970s, U.S. Air Force launched the A-X requirement that a new designed ground-attack aircraft could provide stable platform for bombing accuracy over the battlefield area. It was also required to be durable for flight close to the ground, in range of enemy guns. The underwing pylons could carry almost all arms in Air Force inventory. Northrop submitted the YA-9A to the Air Force in competition with the Fairchild YA-10A. The first flight was tested in May 1972 and the fly-off competition ran in Oct 1972. The A-X Fly-Off was intended to identify the differences between the two aircraft in performance. The two aircraft were equally accurate in weapons delivery and in the gun tests. In 1973, Air Force selected the YA-10A as the winner of the A-X competition. Although the YA-9A was not chosen for production, it was deemed to be a formidable aircraft in its own right. The two prototypes were transferred to NASA for further flight testing before being completely retired from service.

### Specifications:

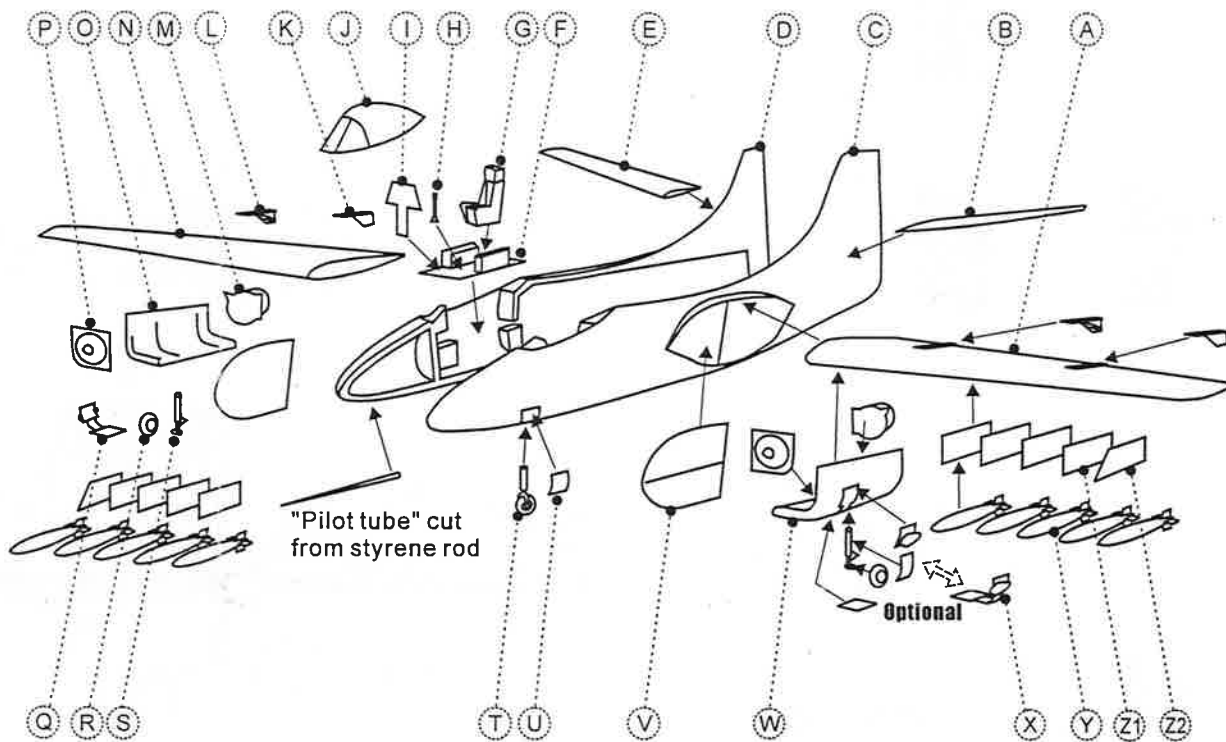
Wingspan - 57ft  
 Length - 53ft 6in  
 Height - 17ft 10in  
 Powerplants - Avco/Lycoming ALF-502 turbofan x 2  
 Crew - 1  
 Max speed - 449 mph  
 Armament - 20mm Vulcan cannon / 16,000 lbs ordnance

One prototype display at March Field Air Museum - California.



**ANIGRAND**  
CRAFTSWORK

PO Box 40, Texaco Road, NT.,  
 Hong Kong.  
 E-mail : email@anigrand.com  
 Web : http://www.anigrand.com



- A Port main wing x 1
- B Port tail plane x 1
- C Port fuselage x 1
- D Starboard fuselage x 1
- E Starboard tail plane x 1
- F Cockpit x 1
- G Pilot seat x 1
- H Control lever x 1
- I Instrument panel x 1

- J Canopy (clear) x1
- K Inboard flap tracks x 2
- L Outboard flap tracks x 2
- M Afterburner nozzles x 2
- N Starboard main wing x 1
- O Starboard engine shroud x 1
- P Compressor face x 2
- Q Starboard main gear door x 1
- R Main wheels x 2

- S Main landing gears x 2
- T Nose landing gear x 1
- U Nose gear door x 1
- V Slitters x 2
- W Port engine shroud x 1
- X Port gear door x 1
- Y Bombs x 10
- Z1 Store pylons x 8
- Z2 Outboard pylons x 2

BW

# Painting & Decals



Light Grey  
(Overall)



Interior Green  
(Cockpit interior)  
(Landing gear bays)



Burn Iron  
(After burner)



White  
(Radome)



Red  
(Warning strip)



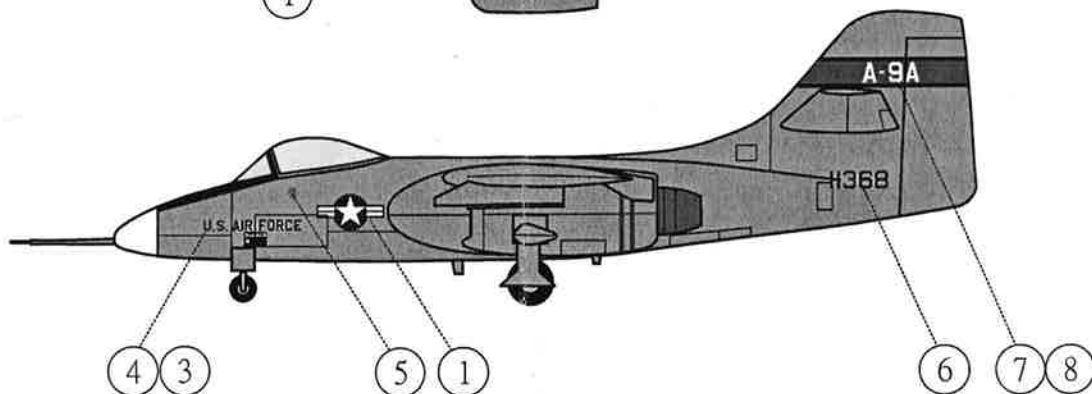
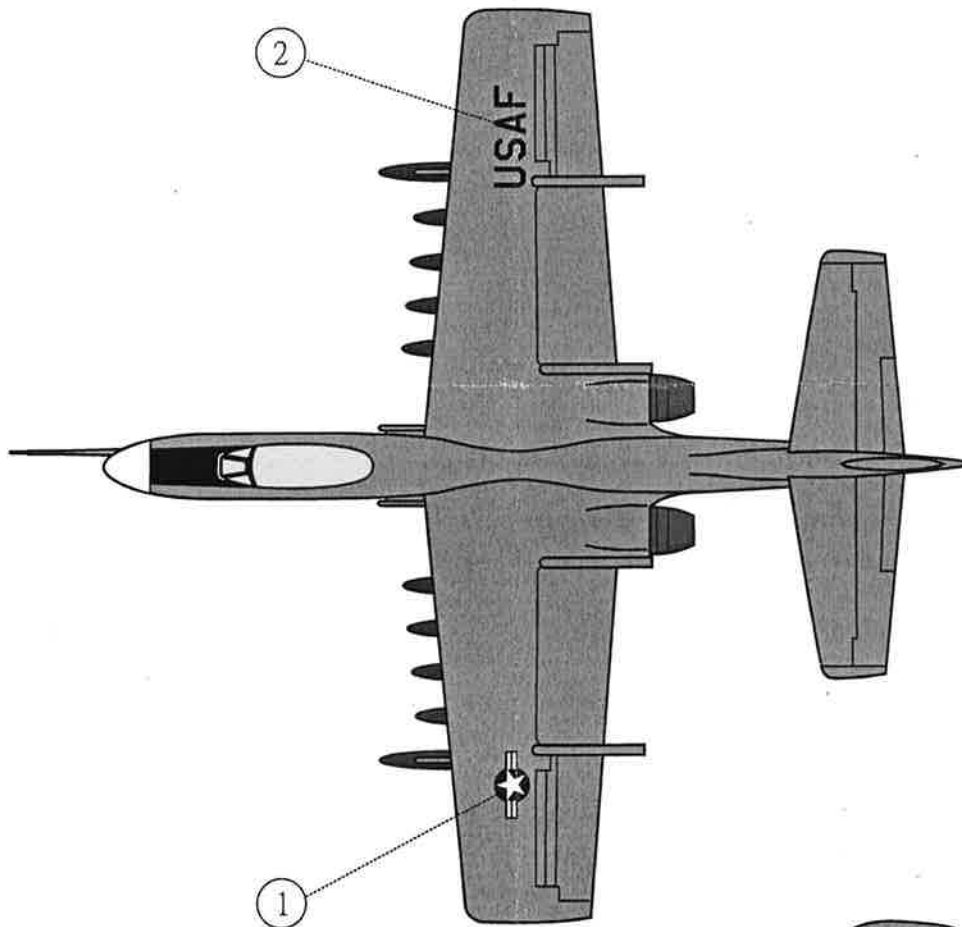
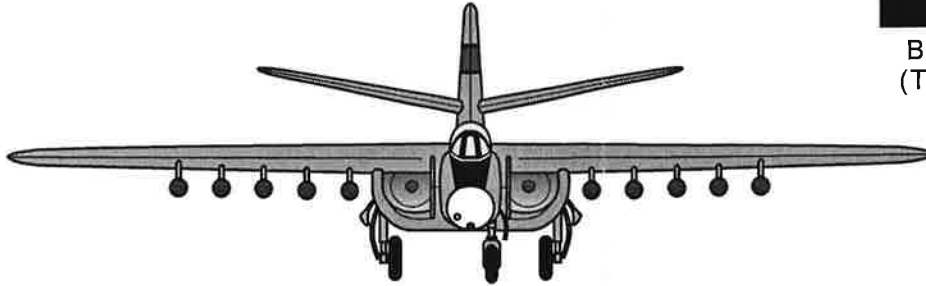
Olive Drab  
(Bombs)



Black  
(Tires)



Mid Grey  
(Fin banner background)



Drawing scale: 1/144



LP



U.S. AIR FORCE



3

U.S. AIR FORCE



11368 6 11368



1



1



1

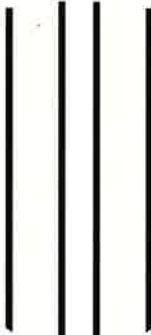


USAF

2

USAF

8



7