

ANBO - III

RSSH - 72006

HOBBS
Scale Scratchbuilt Hobby

ANBO-III was the third aircraft of the Lithuanian aircraft designer **Antanas Gustaitis**.

ANBO-III - was a parasol type two-seater monoplane of mixed construction, designed for the advanced training of pilots, tested in August, 1929. In 1930-1931 two series (four airplanes each) were built and were actively operated until the Soviet occupation in 1940. At the beginning, ANBO-III was also used for reconnaissance purposes.
ANBO-III was the first serially built airplane of Lithuanian construction.

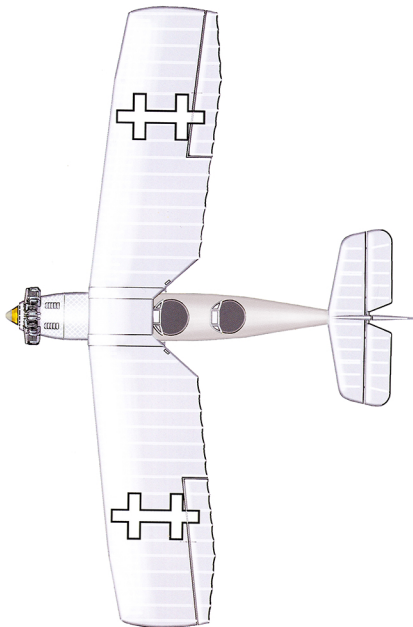
Crew: two
Length: 7.0 m
Wingspan: 10.55 m
Wing area: 18.2 m²
Empty weight: 556 kg
Gross weight: 856 kg
Powerplant: 1 × Walter NZ 130, 120 kW (130 hp)
Maximum speed: 185 km/h
Service ceiling: 4800 m
Rate of climb: 3.5 m/s

More information can be found in www.plienosparnai.lt/page.php?969

The model is identical to prototype of ANBO-III during the period of active operation 1929-1931.

Thanks for your interest in this model.

rss.hobbis@gmail.com



ANBO-III Lithuania Air Force 1929 - 1931



Painting:
Overall in silver
Engine cowling, landing gear struts, aft part of fuselage - brushed duraluminum



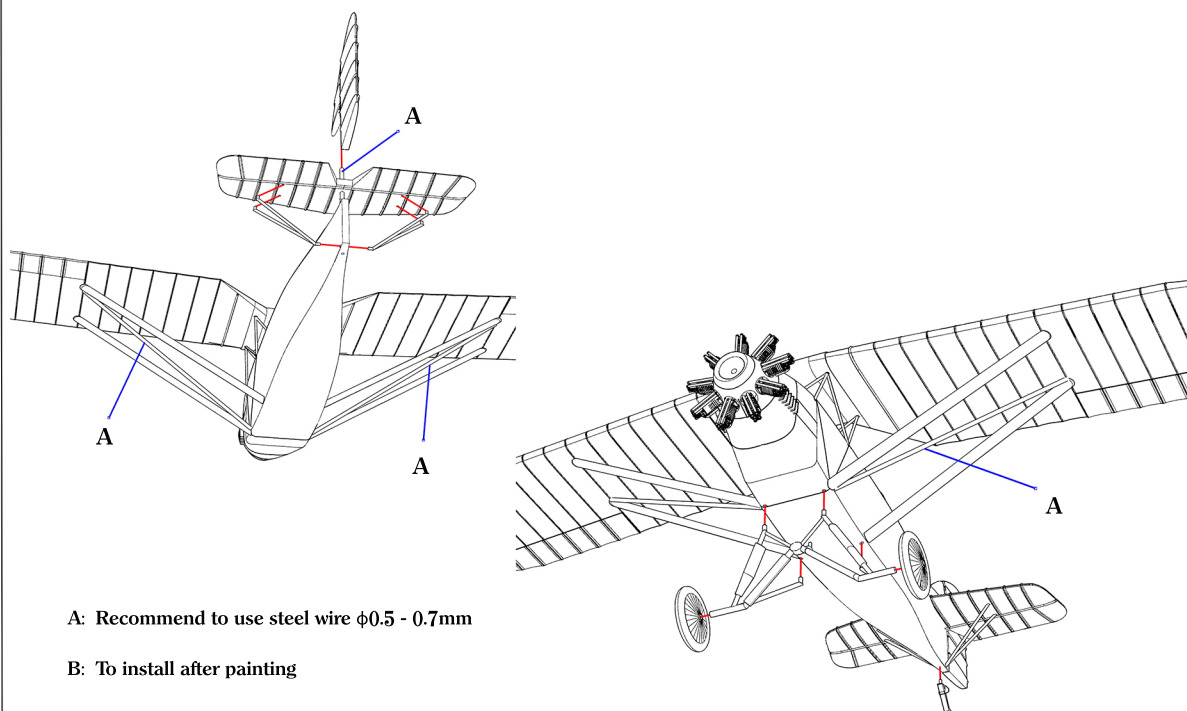
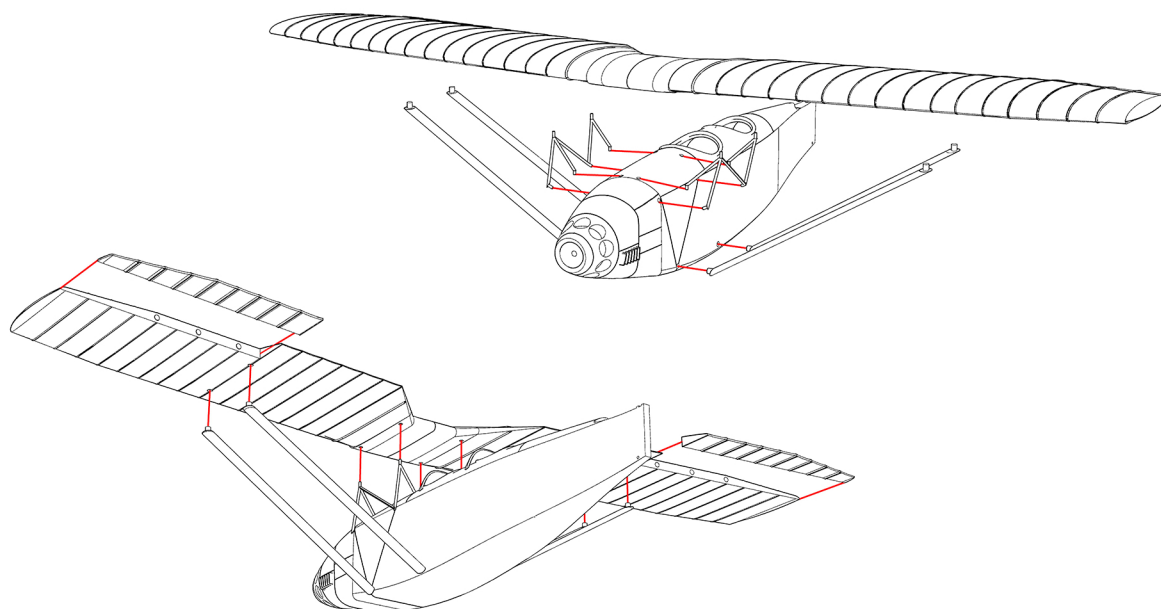
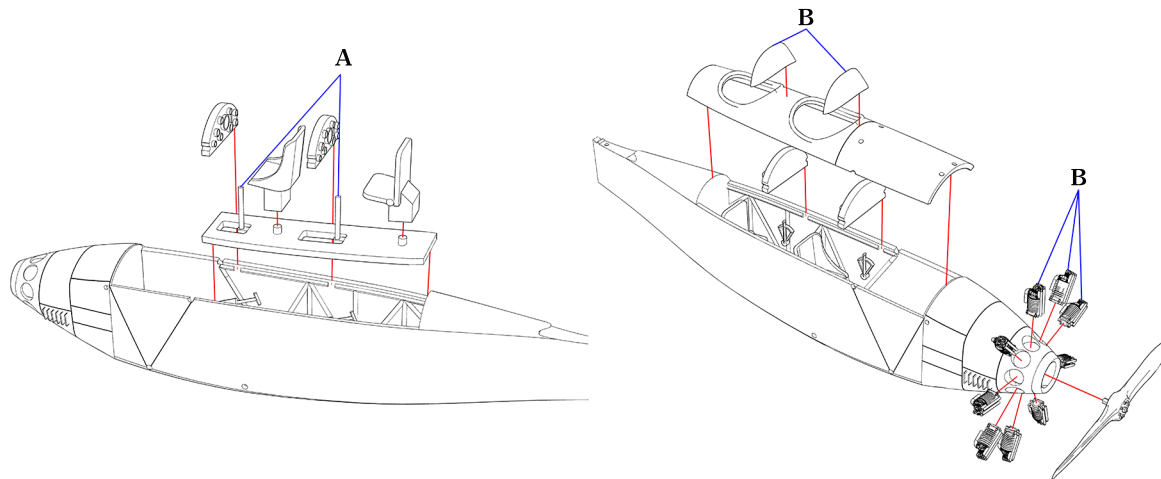
Decals: White images + complete drying + black images



ANBO - III

RSSH - 72006

HBBIS
Scale Scratchbuilt Hobby



A: Recommend to use steel wire $\phi 0.5 - 0.7\text{mm}$

B: To install after painting