

AeroMaster

48-069 Corsairs & Hellcats 1 (tri-color)



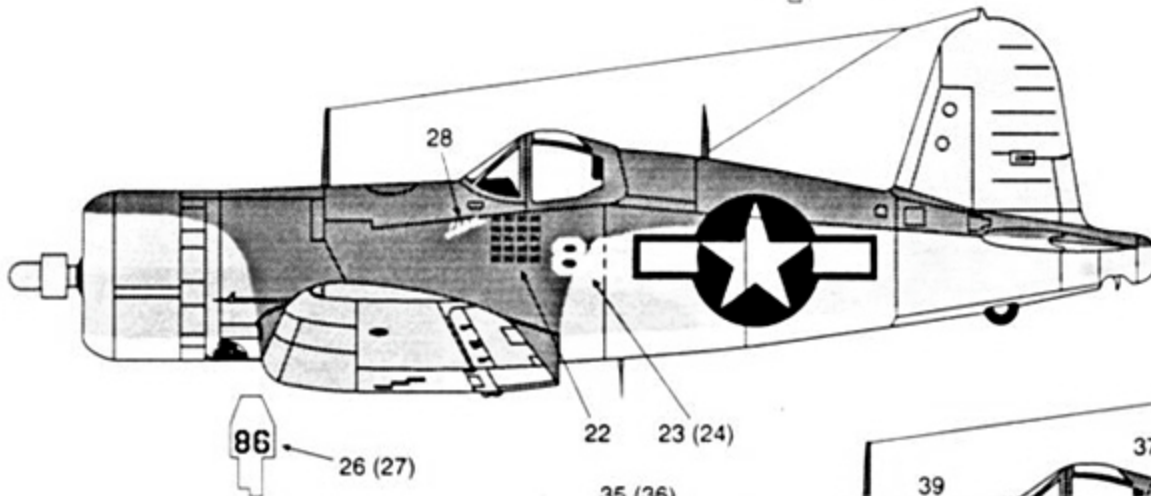
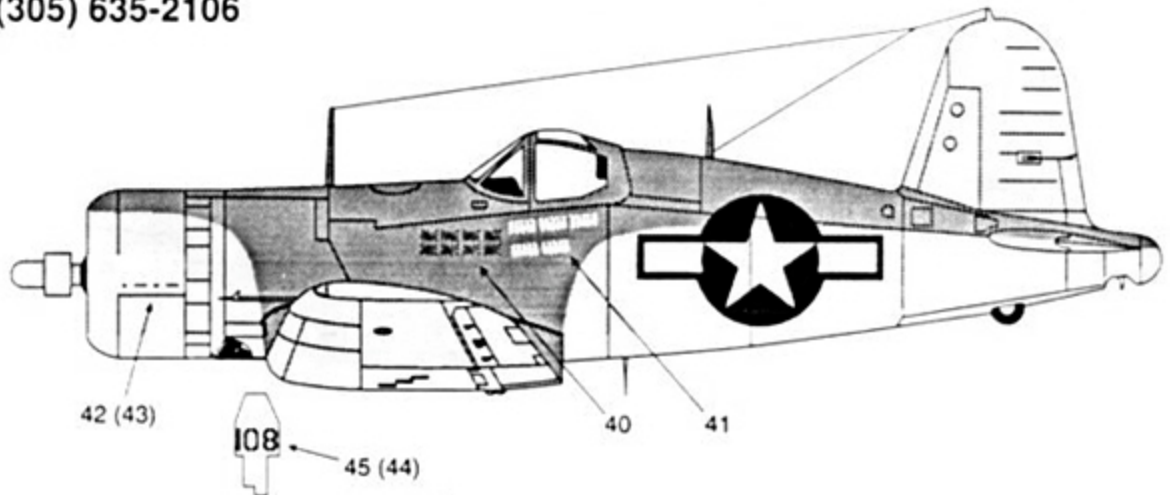
AeroMaster Decals

3615 NW 20th Avenue
Miami, Florida 33142 USA
(305) 633-8118 • Fax (305) 634-3630

TM

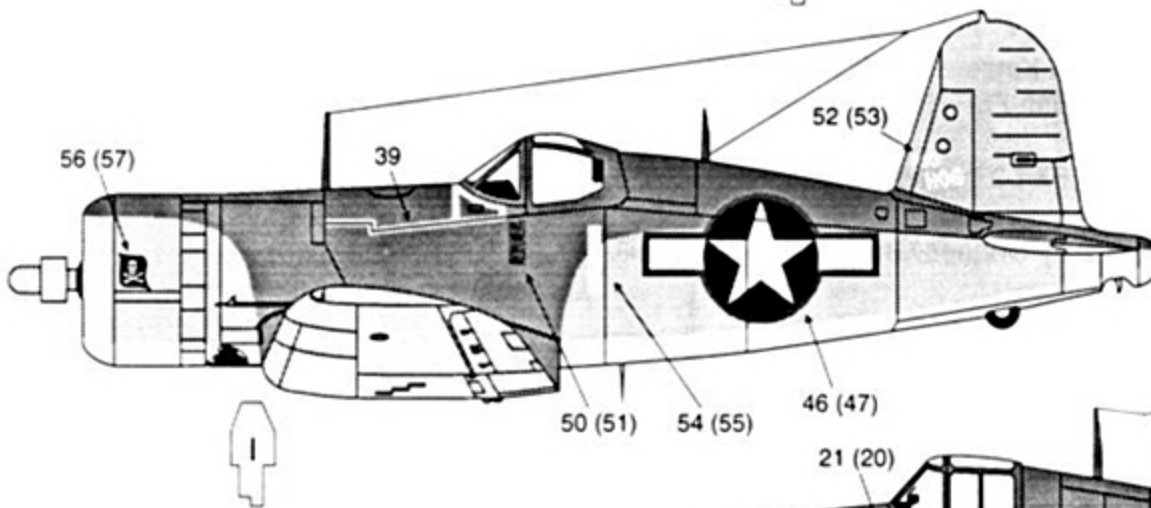
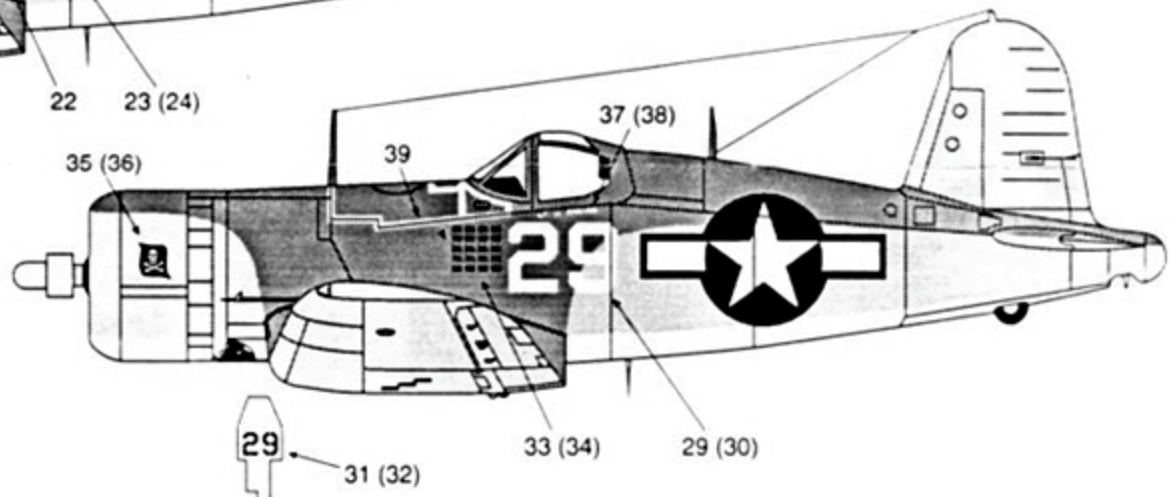
Note: Blue bordered U.S. national insignias can be obtained from AeroMaster sheet 48-054.

F4U-1 Corsair. Flown by Maj George Hollowell. Sea Blue/ Intermediate Blue/ White camouflage.



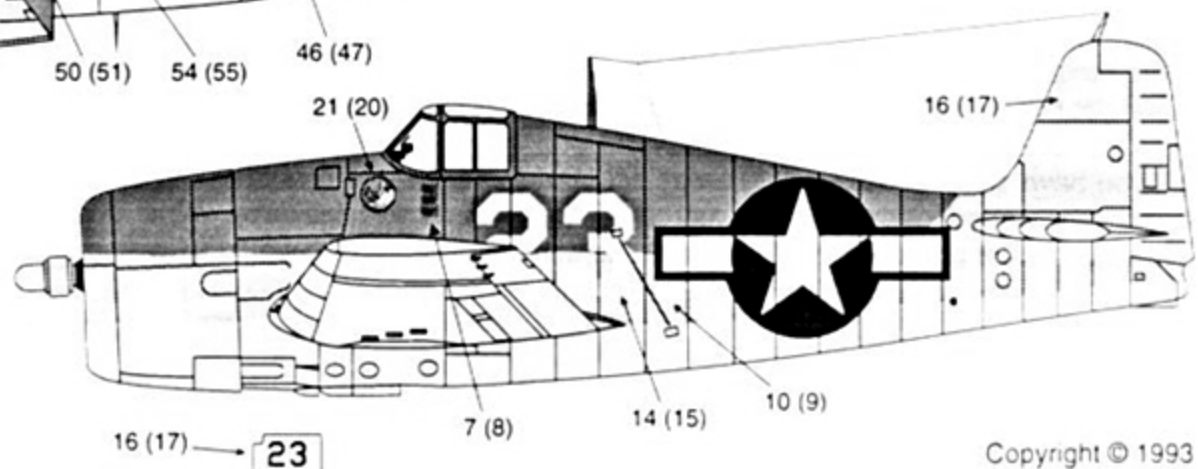
F4U-1D Corsair, VMF-214. Flown by Maj Gregory Boyington. Sea Blue/ Intermediate Blue/ White camouflage.

F4U-1D Corsair, VF-17. Flown by Lt. j.g. Ira Kepford. Sea Blue/Intermediate Blue/ White camouflage. Note: modify item 39 to match drawing.



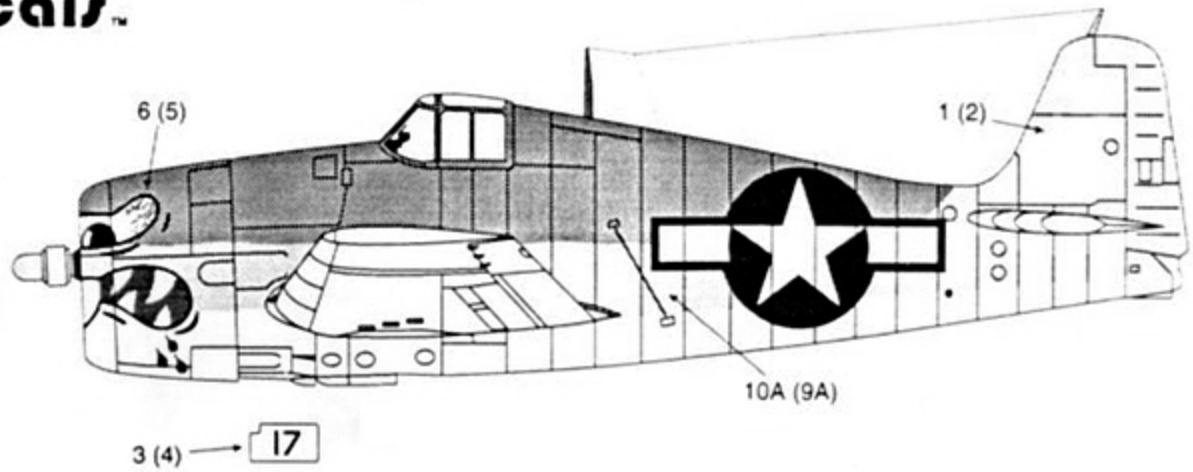
F4U-1A Corsair, Bureau Number 17640, VF-17. Flown by squadron C.O. Cdr. Tommy Blackburn. Sea Blue/ Intermediate Blue/ White camouflage. Note: modify item 39 to match drawing.

F6F-3 Hellcat, VF-9, USS Essex. Sea Blue/Intermediate Blue/ White camouflage.

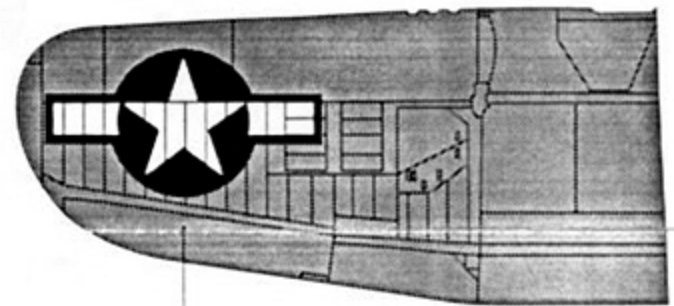
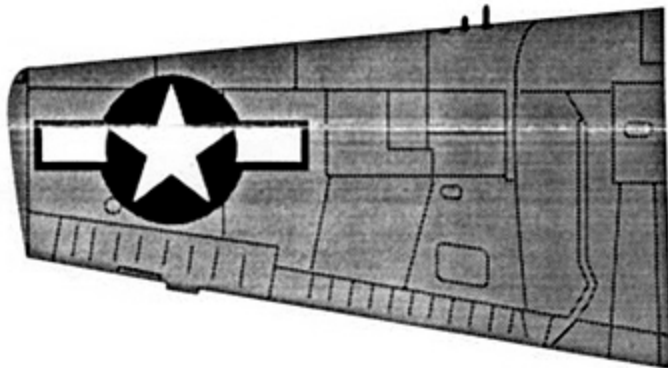


AeroMaster Decals™

F6F-3, VF-27, USS Princeton (CVL 23), 1944. Sea Blue/Intermediate Blue/White camouflage. Paint inside of lower cowl red. Apply items 11, 12, & 13 to inside of cowl using the photo as a guide.



Hamilton Standard Prop Logo
apply to front of prop blades



48 (49)
("Big Hog" only, use blue bordered insignia for others.)

References:

1. F6F Hellcat in Detail & Scale, vol. 26 by Bert Kinsey. Tab Books, 1987.
2. Famous Airplanes of the World #22, Grumman F6F Hellcat. Bunrin Do, Feb. 1972.
3. Markings of the Aces - U.S. Navy, Book 1 Part 2 by Richard Hill. Kookaburra Technical Publications, 1968.
4. Markings of the Aces - U.S. Navy, Book 2 by Charles Graham & Richard Hill, Kookaburra Technical Publications, 1972.

Suggested Kits:

- Arii/Otaki F4U Corsair
- Arii/Otaki F6F Hellcat
- Medallion Models F6F Cockpit Detailing Kit

We recommend that you use AeroMaster **Warbird Colors** on this and all of your models. These paints are formulated with you and your SCALE Models in mind. Available at most quality hobby stores. More colors are coming soon.

If you have suggestions for future subject matter, AeroMaster would like to hear from you. Our goal is to provide high quality, well researched decals of unusual and interesting subjects. We value our customers' inputs, so if you have specific suggestions or photographs of unusual subject matter which you would be willing to share, please contact:

AeroMaster Decals™

3615 NW 20th Ave • Miami, Florida 33142 • USA