

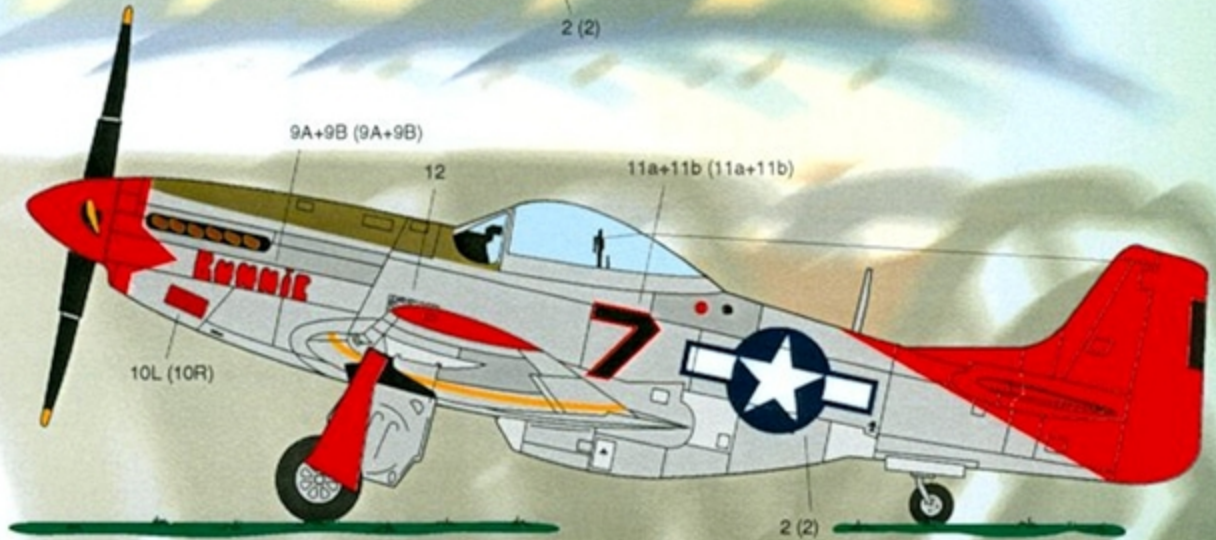
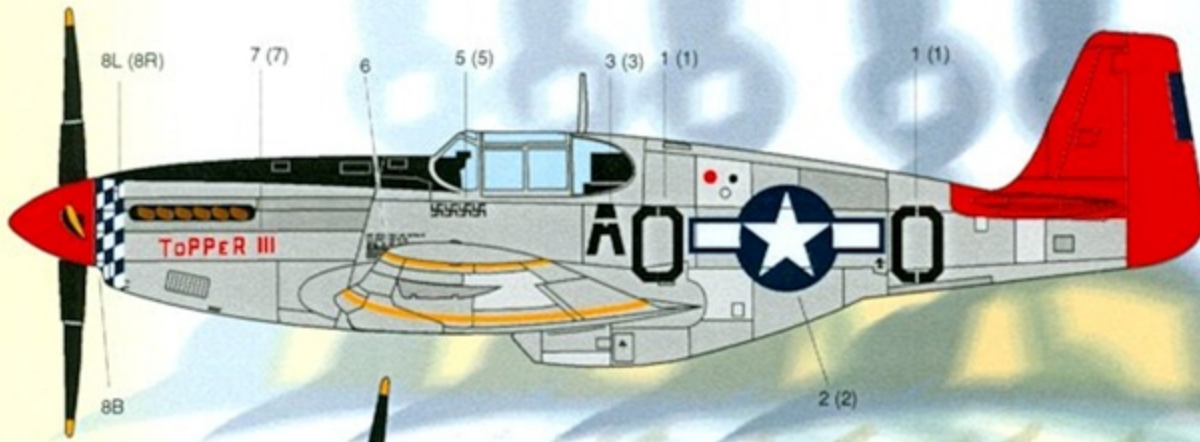
AeroMasterTM PRODUCTS





Tuskegee Airmen

"The Spookwaffe"



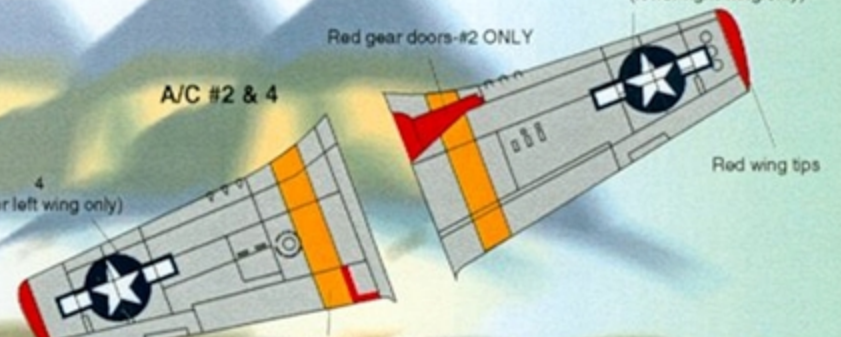
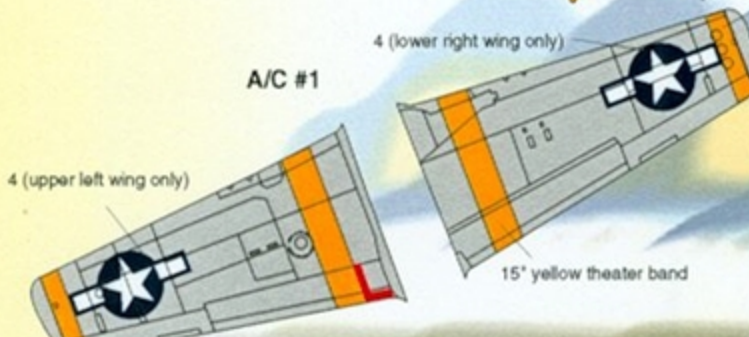
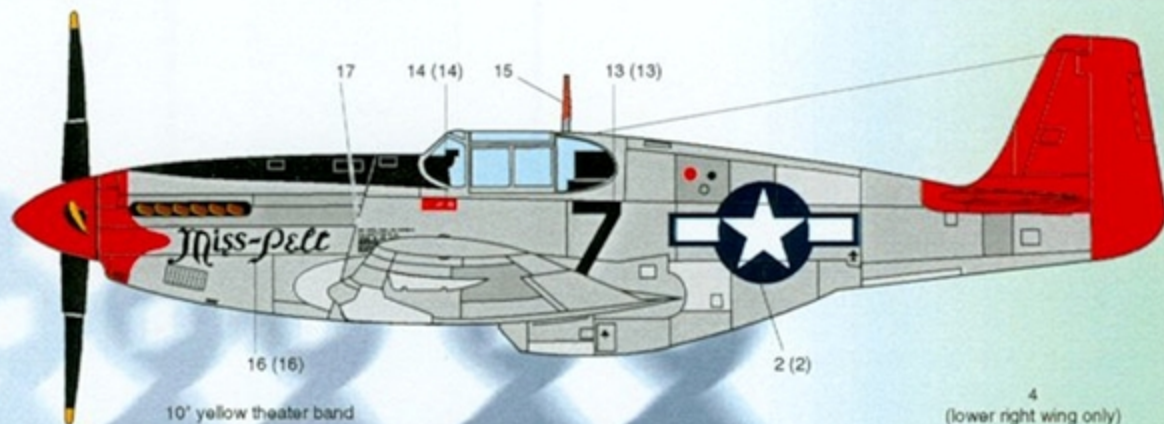
"The Spookwaffe"



- | | | | |
|--|--|--|--|
| U.S. Insignia Red

FS 11136 | Chrome Yellow

FS 13538 | U.S. Olive Drab

FS 34067 | Ana 604 Black

FS 37038 |
|--|--|--|--|

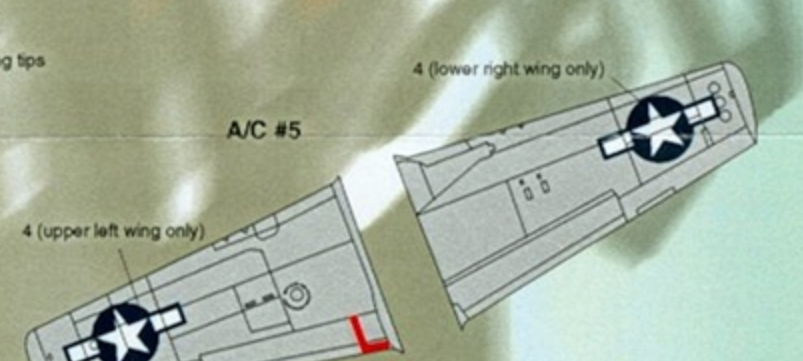
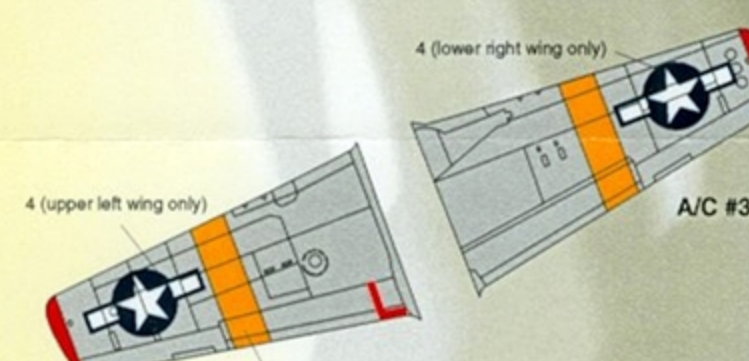
A/C #5

P-51C "Miss-Pelt", S/N unknown, flown by Lt. Clarence 'Lucky' Lester, 100th FS, 332nd FG. This aircraft was overall duraluminum with black anti-glare panel. The fin, rudder, tail & spinner were Insignia Red. The nose art is thought to have been carried on both sides of the aircraft.



P-51B/C "TOPPER III", serial number unknown, 99th FS, 332nd FG flown by Capt. Ed Toppins. Overall duraluminum finish with black anti-glare panel. The fin, rudder, tail & spinner were painted Insignia Red. The nose art is believed to be carried on both sides of the aircraft, but it is not known if the kill markings were as well. Insignia Yellow theater stripes were applied to the wings, and the trim tabs were Insignia Blue. Paint the air intake lip below the spinner white prior to application of decals 23R & 23L. Note that anti-glare panel overlaps top of checks.

P-51D "BUNNIE", 44-15569, flown by Capt. Roscoe C. Brown, CO 100th FS, 332nd FG. This aircraft was overall duraluminum with olive drab anti-glare panel. The fin, rudder, tail & spinner were painted Insignia Red. The nose art is believed to be carried on both sides of the aircraft. Insignia Yellow theater stripes were applied to the wings, the wing tips and undercarriage doors were painted Insignia Red. The trim tabs were black.



P-51C "INA The MACON BELLE" flown by Lt. Lee 'Buddy' Archer, 302nd FS, 332nd FG. This aircraft was overall duraluminum with olive drab anti-glare panel. The fin, rudder, tail & spinner were painted Insignia Red. The nose art is thought to have been carried on both sides of the aircraft. Insignia Yellow theater stripes were applied to the wings, and the wing tips were painted Insignia Red. The trim tabs were Insignia Yellow. Paint the air intake lip below the spinner Insignia Yellow prior to application of decals 23L & 23R.

P-51D "Little Freddie", S/N unknown, flown by Lt. Freddie Hutchins, 302nd FS, 332nd FG. This aircraft was overall duraluminum with olive drab anti-glare panel. The fin, rudder, tail & spinner were Insignia Red. The theater stripes on the wings and the trim tabs were Insignia Yellow, while the wing tips were Insignia Red. The nose art is believed to be carried on both sides of the aircraft. When applying the nose art, offset decal 18b to the upper right of 18a (see scrap view, right).

***NOTE:** P-51's were delivered in a standard finish consisting of natural metal on the fuselage, vertical fin, and horizontal stabilizers. The majority of the upper and lower wings were painted aluminum lacquer with all rivets and joints sealed to provide smoother airflow over the laminar flow wing. Ailerons and flaps were left in natural metal.

Suggested Kits:

Accurate Miniatures P-51B, Monogram P-51B, Tamiya P-51B/C, Monogram P-51D, Tamiya P-51D, Hasegawa P-51D

References:

1. Mustang Aces of the Ninth & Fifteenth Air Forces, by Jerry Scutts, Osprey Aircraft of the Aces • 7. 1995.
2. P-51 in action, Squadron Signal Pub., 1981.
3. P-51 in color, Squadron Signal Pub., 1982.
4. P-51 Mustang, Model Art No.401.
5. P-51 Mustang, Aero Detail #13, 1995.
6. P-51 Mustang special, Squadron Signal Pub., 1995

Recommended AeroMaster Warbird Colors Acrylic			
1001	Gloss Clear	1015	Blue
1002	Semi-Gls Clr	1016	Green
1003	Flat Clear	1040	U.S. Olive Drab 41
1004	Tire Black	1041	U.S. Olive Drab 41 (Faded)
1011	Yellow		
1012	White	1049	US Interior Green
1013	Black	1050	US Interior Yellow
1014	Red	1051	US Orange Yellow

Recommended AeroMaster Warbird Colors Enamels			
9001	Black	1040	U.S. Olive Drab 41
9002	White	1041	U.S. Olive Drab 41 (Faded)
9003	Yellow		
9004	Blue		
9005	Red		
9010	Tire Black		

If you have suggestions for future subject matter, AeroMaster would like to hear from you. Our goal is to provide high quality, well researched decals of unusual and interesting subjects. We value our customers' input, so if you have specific suggestions or photographs of unusual subject matter which you would be willing to share, please contact:

AeroMaster Decals™
3615 NW 20th Ave • Miami, Florida 33142 • USA

302nd Fighter Squadron



99th Fighter Squadron



100th Fighter Squadron



301st Fighter Squadron

Little is known about the Tuskegee Airmen. However, like any other fighter squadron, they all had nick names, such as "Mr. Death", "Buster", "Fantastic" and "Black Jackson." Their A/C, besides having splendid red tails were splashed with legends like "Harlem Speaks", "125th and Lennox", "A Train", and "High Yellow." Unfortunately for history's sake, not many pictures of these planes and pilots have survived the years.

Claiming never to have lost a bomber under their care, the members of the 99th, 100th, 301st and 302dn FS, had one thing in common : They were the only black pilots flying escort duties for the USAAC.

They called themselves the "Spookwaffe" which confused the German intelligence at first. The Germans knew that "waffe" must have been a spinoff of their own Luftwaffe, but they were not quite conversant in the slang of the American blacks to know what "Spook" meant. Sadly, they also called themselves "The Lonely Eagles", due to the isolationism and bigotry of the Air Corps in those early days.

They flew escort missions to Germany, Austria and Czechoslovakia, and also participated in many of the Ploesti oil Refinery Raids. Besides not losing a single bomber escorted by their group, they also claimed to be the only outfit to fly 4 different types of A/C in their area of operations, and the only group to sink a destroyer with fighters in Europe. Although this decal set merely highlights the aircraft used in their involvement in history, we felt obligated to give you modelers, a short insight in to these unsung heroes of World War II.

Aeromaster Decals™

3615 NW 20th Ave • Miami, Florida 33142 • USA