

FROG

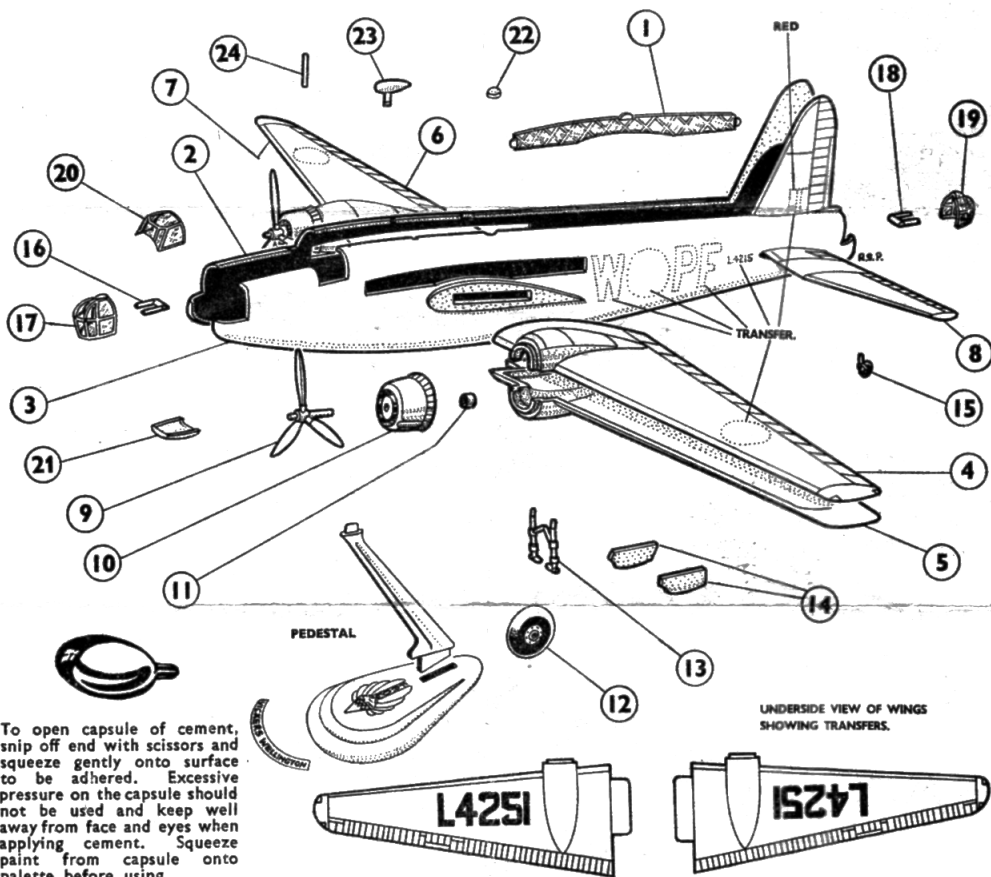


CAT. No. 398P.

ALL PLASTIC SCALE MODEL AEROPLANE KIT OF THE

VICKERS - ARMSTRONGS

"WELLINGTON" 1c.



To open capsule of cement, snip off end with scissors and squeeze gently onto surface to be adhered. Excessive pressure on the capsule should not be used and keep well away from face and eyes when applying cement. Squeeze paint from capsule onto palette before using.

NOTE: Very little cement is needed to hold parts together. Use it sparingly (be sure to keep it away from plane's outside surfaces) and you will produce a very neat model.

ASSEMBLY INSTRUCTIONS

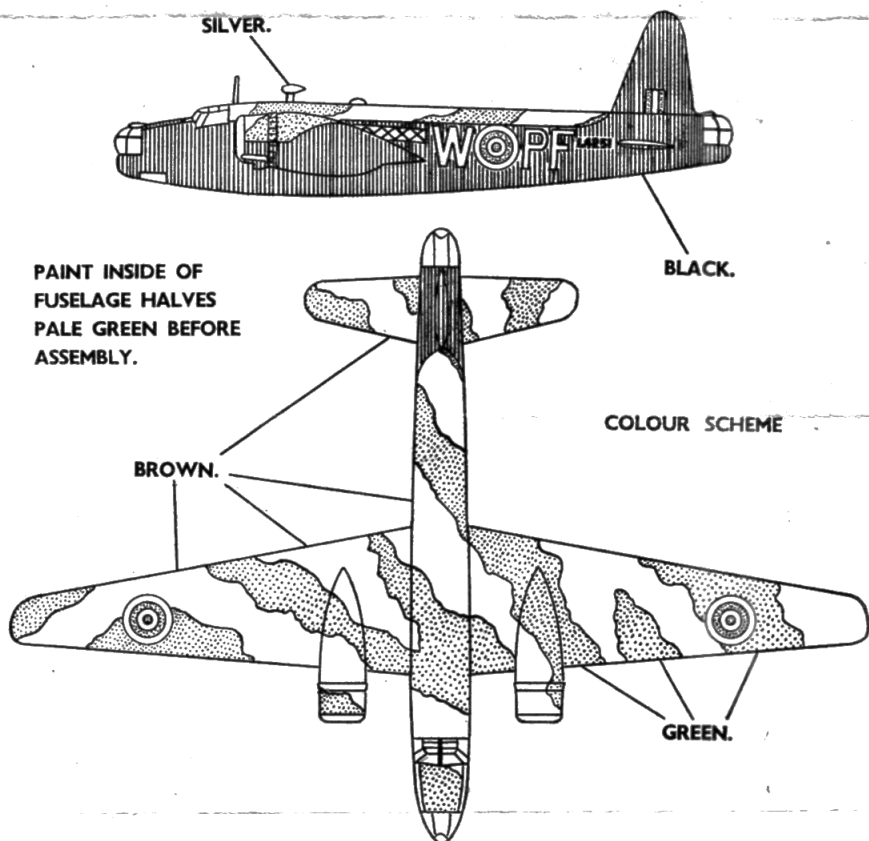
1. Fit the windows (1) to the inside of fuselage halves (2) and (3); spot cement them into place.
2. Cement fuselage halves together.
3. Cement wing halves (4) and (5), (6) and (7) together. Then cement them into the slots in fuselage.
4. Cement tailplane (8) into slot in fuselage.
5. Assemble propellers (9) to engine cowls (10) with collars (11). Then cement these to the front of the nacelles.
6. Fit wheels (12) to undercarriage legs (13) and cement these to nacelles. Then cement doors (14) in place.
7. Cement tailwheel (15) into hole at rear end of fuselage.
8. Spot-cement guns (16) in turret (17) and cement this to front of fuselage. Assemble parts (18) and (19) in the same manner.
9. Cement cabin window (20) into place, also bomb-aimer's window (21) and astro-dome (22).
10. Cement direction-finder (23) and radio mast (24) in place.
11. Paint model as indicated and attach decal transfers as shown on drawing.
12. Cement pedestal parts together, and apply name transfer; then fix model to pedestal.

WELLINGTON

The Vickers Wellington was one of the outstanding aircraft of pre-war design, and was used throughout the war in various capacities, being the first bomber to be used over enemy territory. Apart from being used in Coastal Command for mine-laying, they were used in raids on the German Fleet in the Kiel Canal, in the 1,000 bomber raids over the Reich, and later in the middle and Far East.

The unique form of "lattice" construction was superior in strength for weight than any contemporary form of construction at that time, enabling a larger load to be carried.

Fitted with two Bristol "Pegasus" 9 cylinder radial engines, the maximum speed was 232 m.p.h. at 15,000 ft.; max. ceiling — 18,000; range 2,440 miles. Span. 86ft. 2in., length 64ft. 7in. Load 4,500 lbs.; Armament 2 Browning machine guns in hydraulic turrets at nose and tail.



The above diagrams show the camouflage scheme used on this aircraft, and are a guide if you wish to finish the model in the correct colours.

The illustration on the box-top shows a lower dividing line between upper and lower surfaces, which was used on some of the early Wellingtons.

Allow paint to dry before applying transfers.

There are many other excellent models in this Frog range.

Made in England by International Model Aircraft Ltd., Lines Bros. Group.



Printed in England.