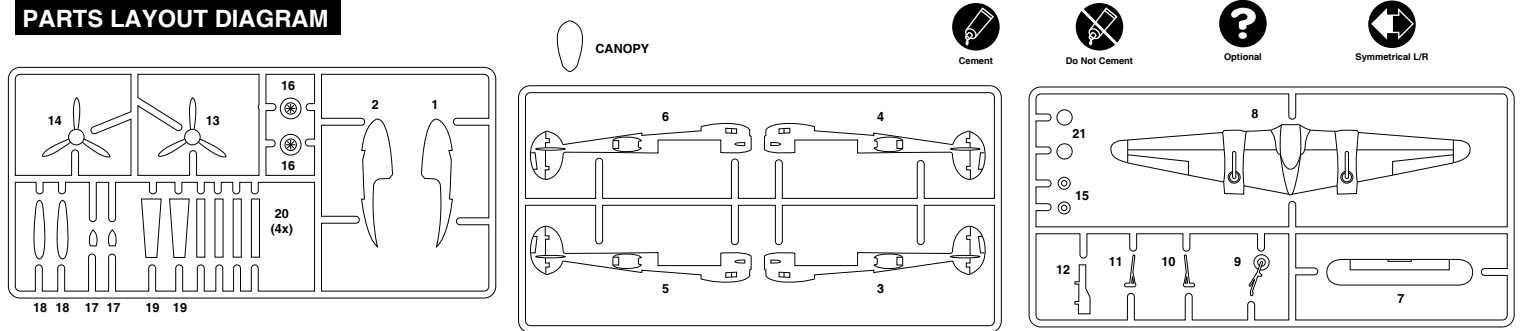


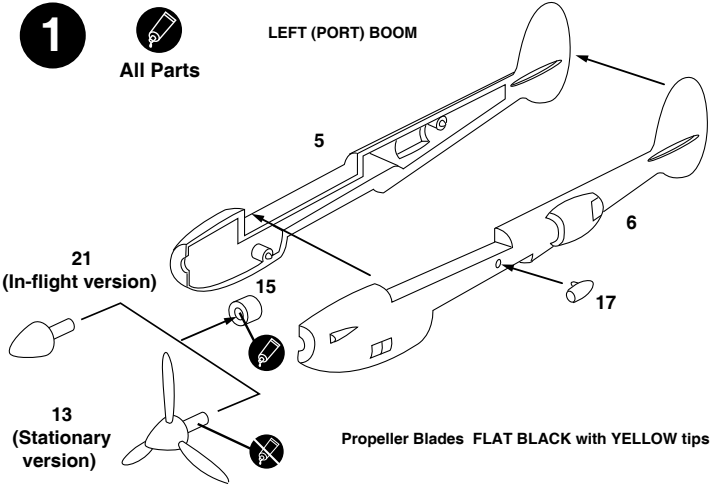
Your MINICRAFT P-38J may be assembled with various options, such as 'In-flight' features as retracted landing gear and 'spinning' propellers. Parts are also provided for a 'stationary' or 'ground' version with extended landing gear. Please review the assembly steps to become familiar with the parts before beginning assembly.

PARTS LAYOUT DIAGRAM



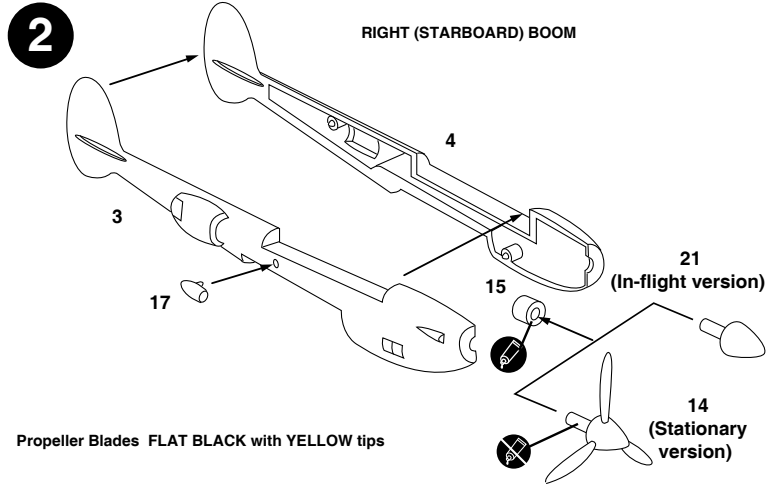
1 All Parts

LEFT (PORT) BOOM



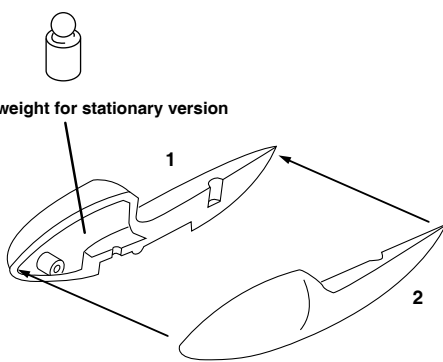
2

RIGHT (STARBOARD) BOOM



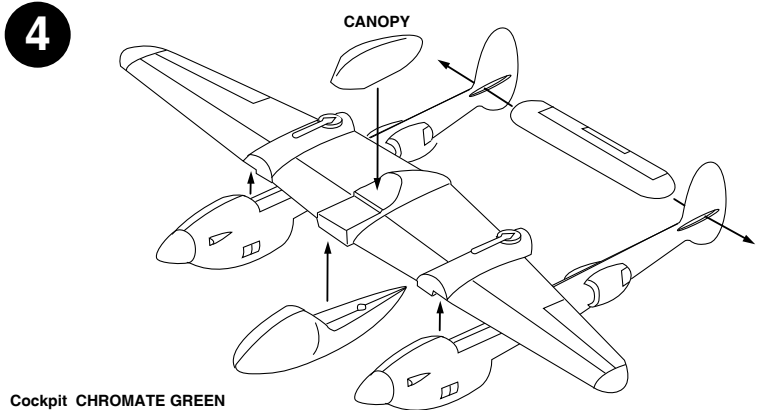
3

Add nose weight for stationary version



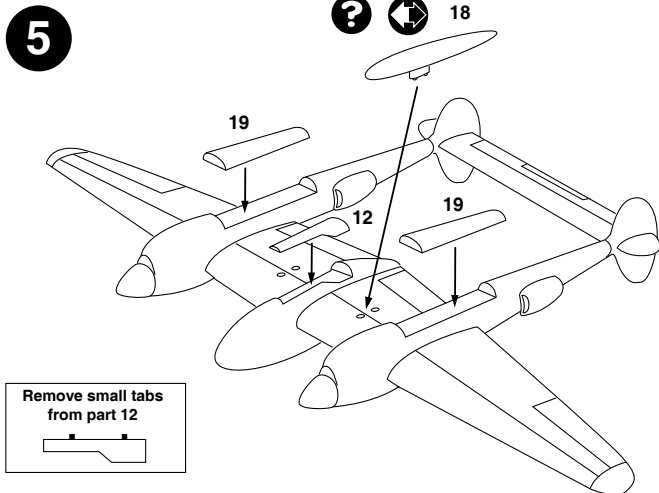
4

CANOPY

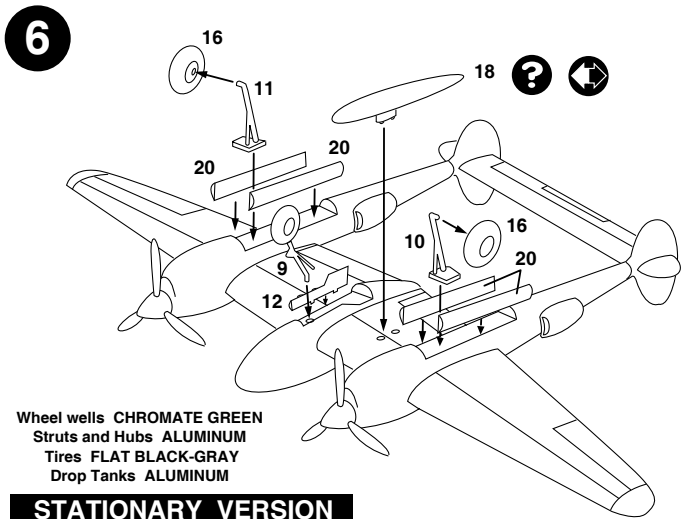


5

Remove small tabs from part 12



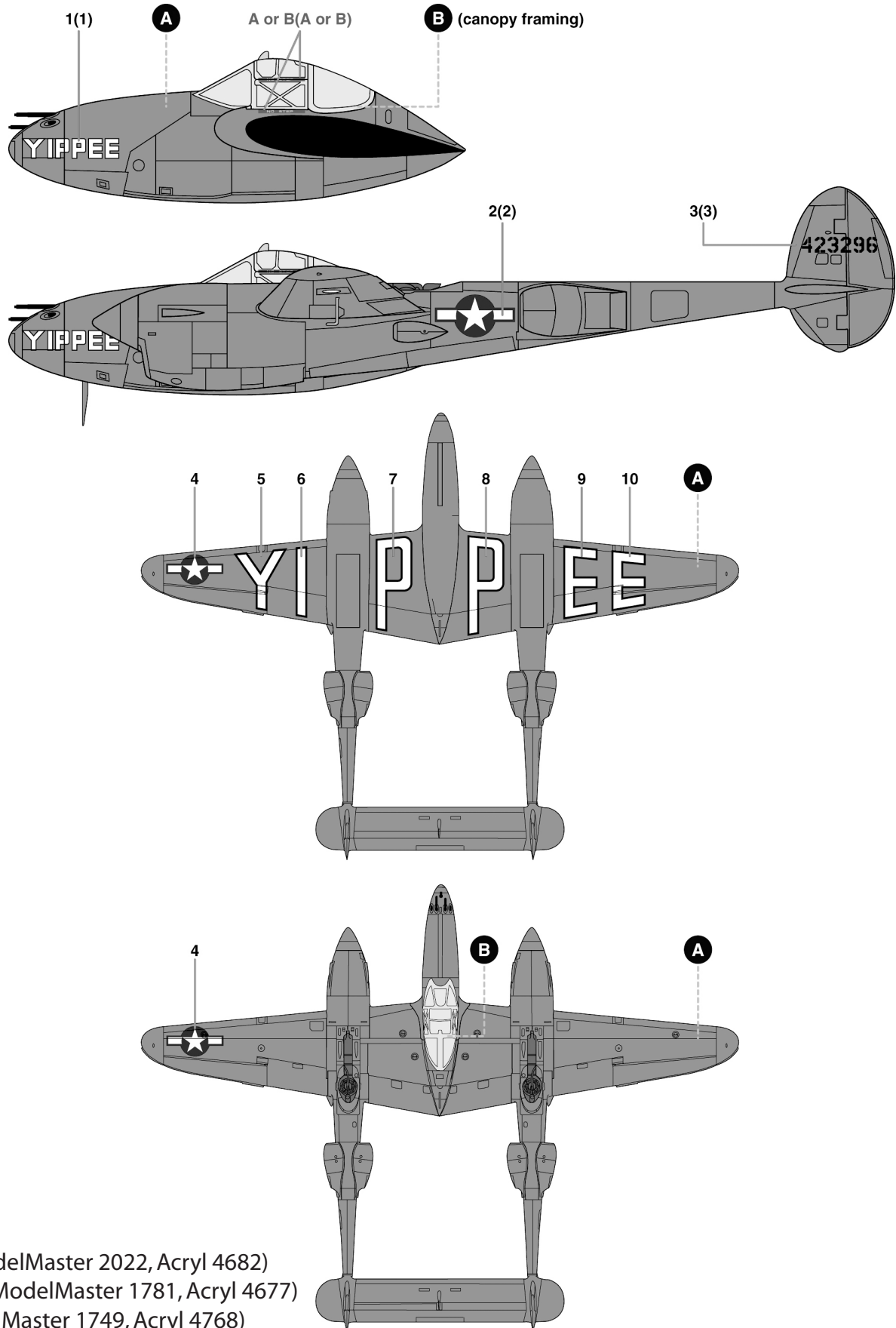
6



IN-FLIGHT VERSION

STATIONARY VERSION

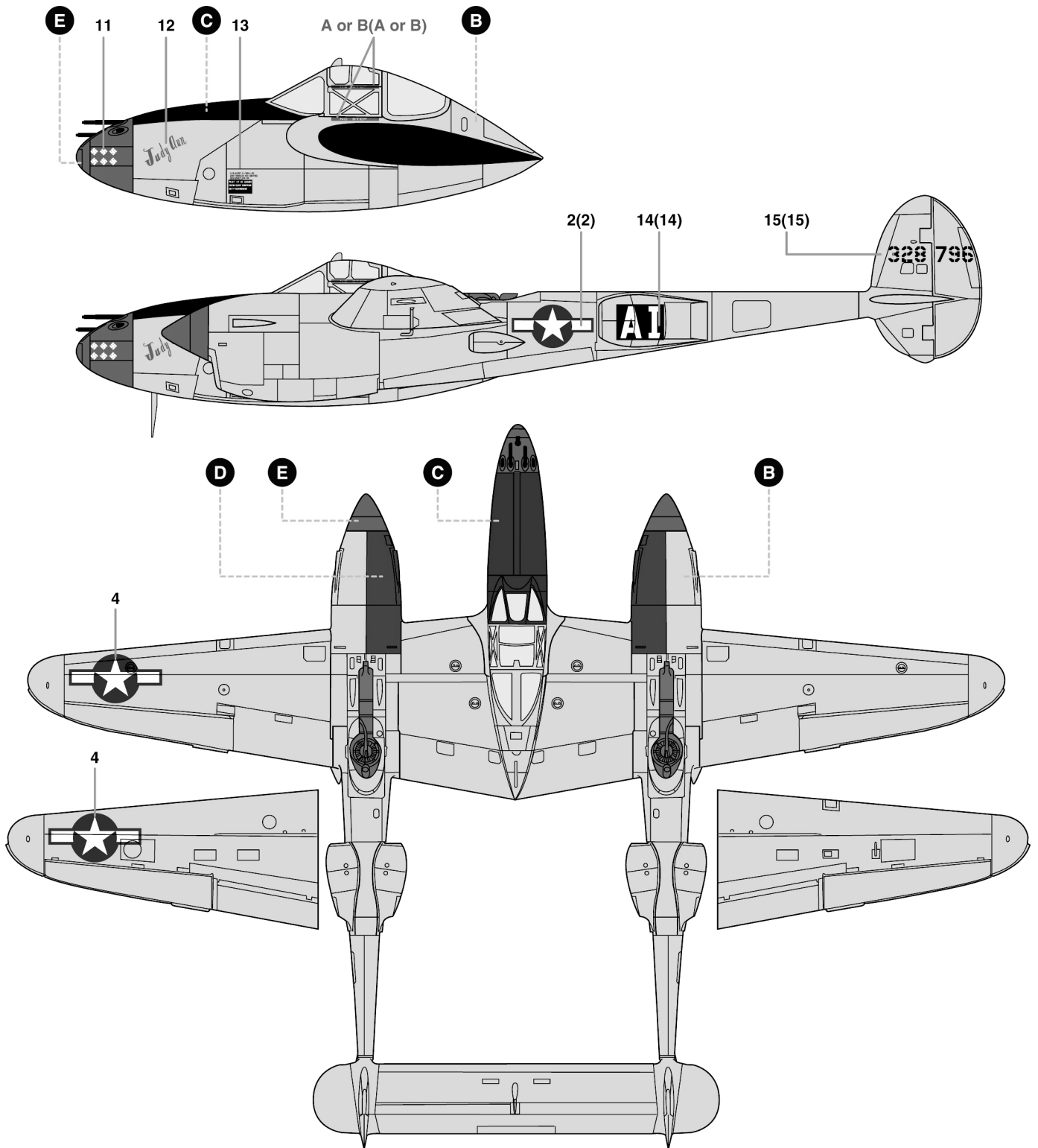
USAAF P-38J, "YIPPEE" (5,000th P-38 built), 1944



PAINTS

- A Orange (ModelMaster 2022, Acryl 4682)
- B Aluminum (ModelMaster 1781, Acryl 4677)
- C Black (ModelMaster 1749, Acryl 4768)
- D Olive Drab (ModelMaster 1911, Acryl 4728)
- E Insignia Red (ModelMaster 1705, Acryl 4714)

USAAF P-38J, 82FG, Italy, 1944



Your Minicraft model includes high-quality waterslide decals. These decals adhere best to a glossy surface; and it is recommended that you apply a clear gloss coat over your painted model.

Use a sharp scissors or knife to cut individual decals from the carrier sheet. Do not cut into the clear film surrounding the individual decals.

* It is recommended that you apply one decal at a time.

* Place the decal section in warm water, when first inserted in the water your decal will curl, after approximately ten seconds the decal will uncurl. Remove from water and lay on a paper towel. After approximately 10 - 20 seconds the decal will slide freely from the backing paper. Use a small brush to help slide the decal from the backing paper and into position on the model. Carefully blot excess water from the decal, using care not to move the decal or tear it.

* If you choose to use a setting solution, apply a thin coat over the decal following the manufacturer's instruction.

* Allow the decal to dry overnight. Wash any adhesive residue off the model with a small amount of clean water and dry thoroughly.

* Apply clear gloss, matte or flat coat to seal decals following the instructions from the manufacturer.



Legends in the making™

Visit our Website-
www.minicraftmodels.com

Minicraft Models
1501 Commerce Drive
Elgin, IL 60123

Phone: 847-429-9676