



# ASSEMBLY INSTRUCTIONS FOR BURKE CLASS FLT1- FLT2 DESTROYER

2204 SUMMER WAY LANE, EDMOND, OKLAHOMA 73013 / USA

This set was designed to be used on all 1/700 scale Arleigh Burke class destroyers FLT-1 & FLT-2 versions. This detail set is the result of painstaking research using various sources and many photos. The set is computer generated with raised etched relief on most parts. Unless specified otherwise always expose the raised etched relief detail to the outside.

## GENERAL TECHNIQUES FOR WORKING WITH PHOTO-ETCHED PARTS

We suggest to paint the entire detail set with a thin coat of the most prevalent color of the ship. Remember, paint will flake away at every bend and cut made to the parts, so you should touch these parts up as you go along. If you wait to touch up the parts after they are all on the model, you will be forever finding shiny spots on your model that you missed.

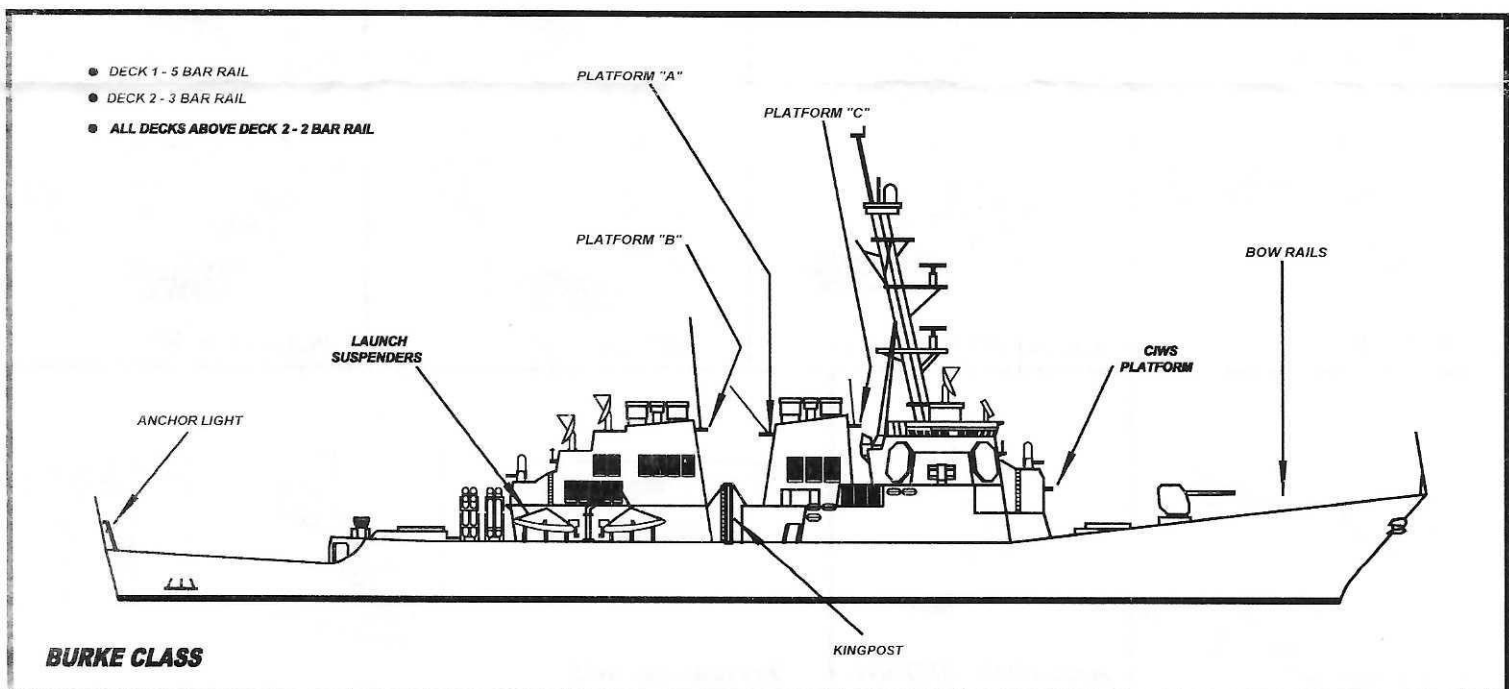
## GLUING

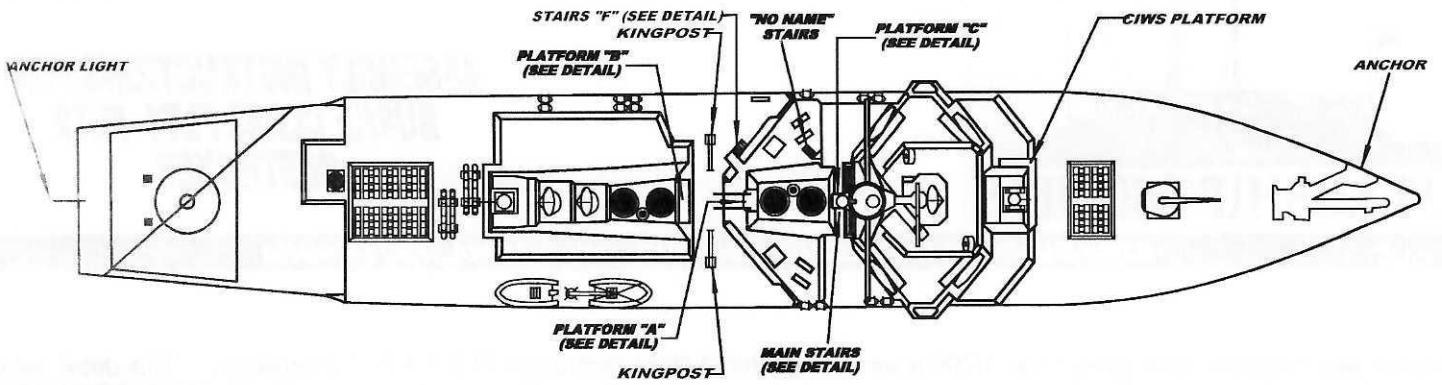
We suggest using super glue to attach and glue these parts. However, white glue (such as Elmers) or epoxy glues can also be used. Since even the finest Teflon nozzels are too large for this scale, we suggest using a simple to make homemade tool to apply super glue. I call them "nubs". To make "nubs", cut a four inch section of plastic (or sprue) that model kit parts are attached to. Using a candle, heat this in the center over the flame twisting all the time to insure even heating. When the end droops over, quickly draw the ends apart. This will create two nubs. These ends, depending on their thickness, will make perfect applicators for super glue.

## CUTTING AND BENDING PARTS

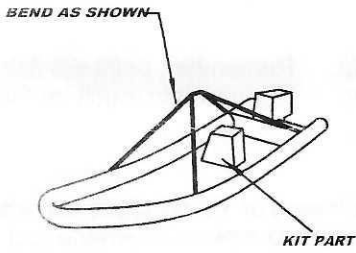
The best technique for cutting parts from their sprue is to use an Xacto knife with a fresh #11 blade on a glass surface. **BE SURE TO WEAR EYE PROTECTION WHEN CUTTING THESE PARTS!** To achieve clean, sharp, bends, use square ended jewelers pliers. When bending round parts, use your imagination. Any hard round tool will work such as drill bits, dowels, mandrels, or even coathangers. Above all else, have fun! While working with these parts at first may seem tedious, you will get better and faster the more you work with them and develop your own techniques. The results of your work will be worth it. You will change a average looking model into a museum quality model. Send me photos of your finished model using Flagship Models details with close ups showing the detail and I may post them on my web page! Good luck on your modeling project.

**RUSTY WHITE  
FLAGSHIP MODELS INC.**

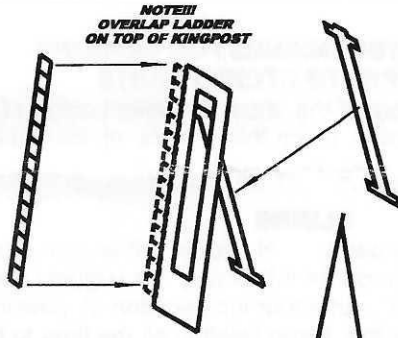




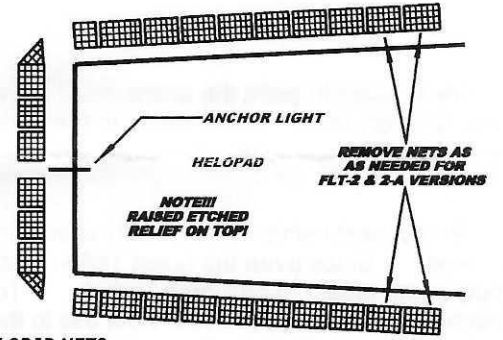
**DECK LAYOUT**



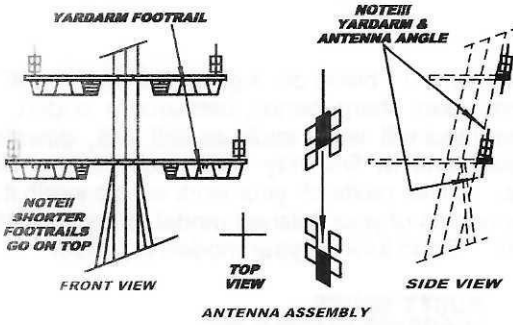
**LAUNCH SUSPENDERS**



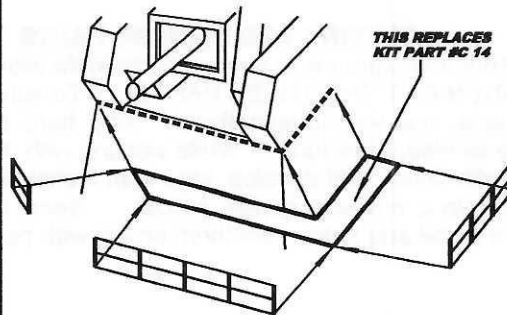
**KINGPOST**



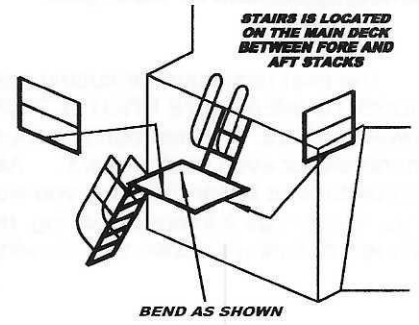
**HELOPAD NETS**



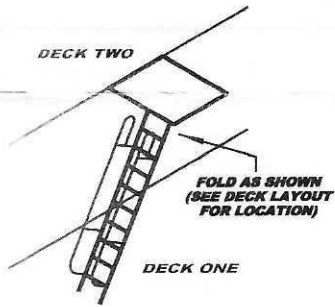
**YARDARM & ANTENNA DETAIL**



**CIWS PLATFORM**



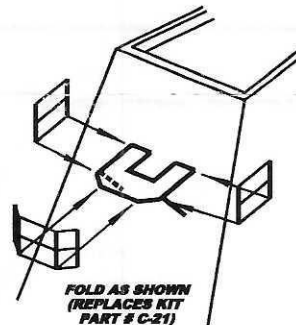
**MAIN STAIR ASSEMBLY**



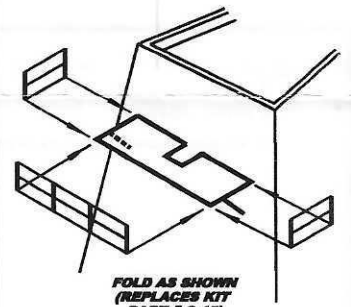
**STAIRS "F"**



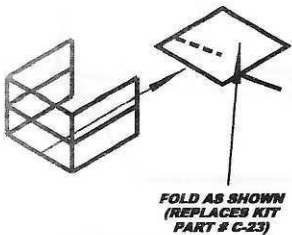
**"NO NAME" STAIRS**



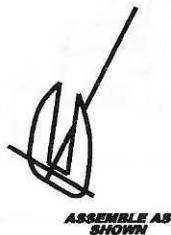
**PLATFORM "A"**



**PLATFORM "B"**



**PLATFORM "C"**



**ANCHOR DETAIL**



**TYPICAL DETAILS**

