

NF-5A / F-5A / SF-5A Freedom Fighter

The Northrop F-5 is a family of supersonic light fighter aircraft initially designed as a privately funded project in the late 1950s by Northrop Corporation. There are two main models, the original F-5A and F-5B Freedom Fighter variants. The design team wrapped a small, highly aerodynamic fighter around two compact and high-thrust General Electric J85 engines, focusing on performance and a low cost of maintenance. Smaller and simpler than contemporaries such as the McDonnell Douglas F-4 Phantom II, the F-5 cost less to procure and operate, making it a popular export aircraft. Though primarily designed for a day air superiority role, the aircraft is also a capable ground-attack platform. The F-5A entered service in the early 1960s. During the Cold War, over 800 were produced through 1972 for U.S. allies. In 1986 nine aircraft were acquired by Norway, and in 1991 another ten (NF-5A/B) by the Netherlands. During the period 1967-1968 the type was used by the third Greek aerobatic flight, "New Greek Flame". The F/NF-5A were withdrawn in 2001. Single-seat fighter version of the F-5A for the (SF-5A) Spanish Air Force, built under license in Spain by CASA.

CAUTION

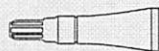
- *Read carefully and fully understand the instructions before commencing assembly.
- *Keep out of reach of children. Children must not be allowed to put any parts in their mouths, or pull plastic bag over their heads.
- *When using adhesives and paints, please make sure not to use them in closed room or near the fire.
- *When assembling this kit, tools including knives are used. Extra care should be taken to avoid injury.

WARNING: CONTAIN SMALL PARTS NOT FOR CHILDREN UNDER 14 YEARS OF AGE

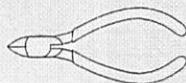
									
Drill	Remove	2 Set	Bend	Optional	Decal	Super Glue	Fill Hole	No Cement	Be Careful

TOOLS RECOMMENDED

Cement



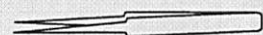
Side Cutter

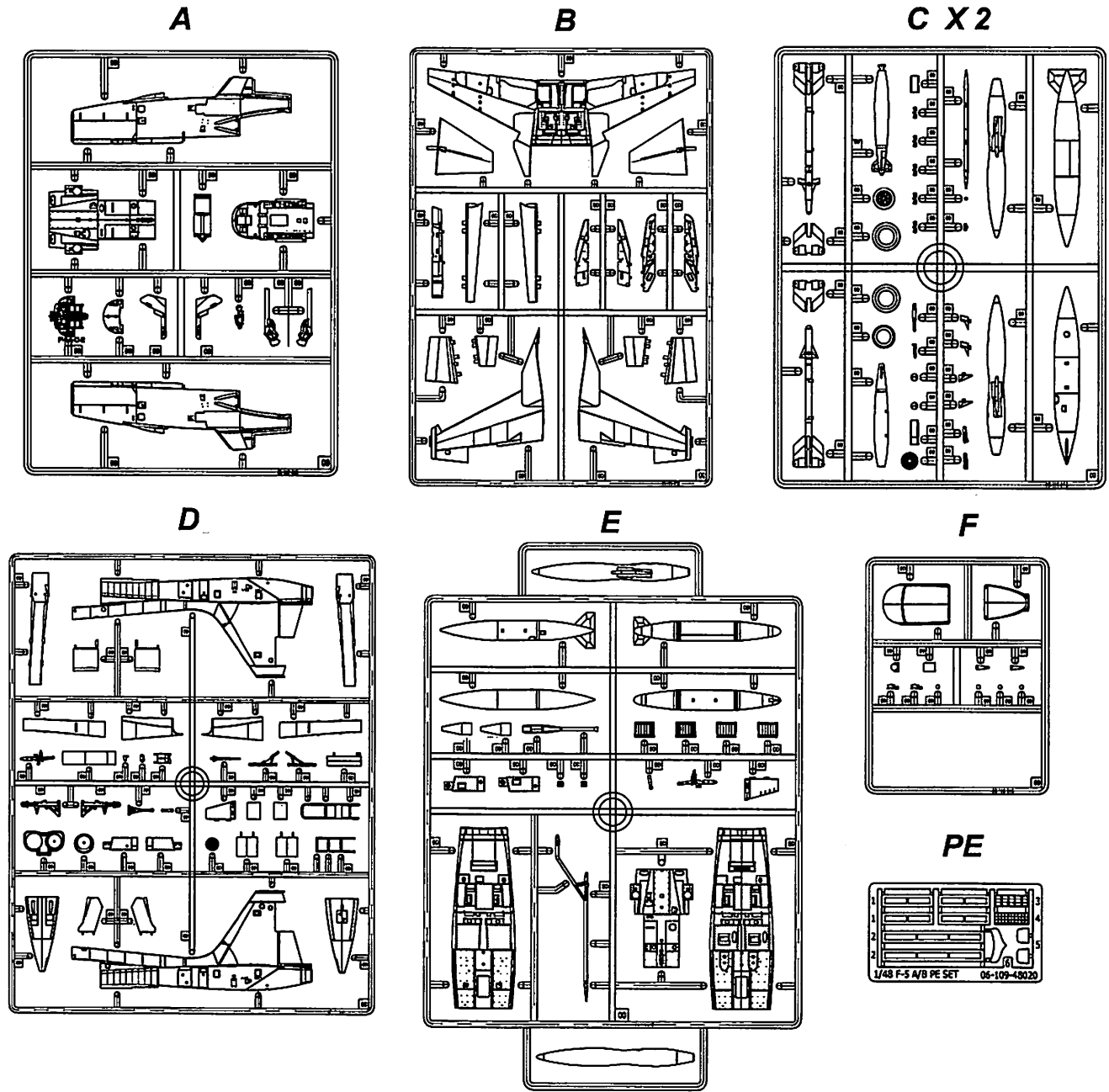


Modeling Knife



Tweezers





Thank you the following for their help in the production of this model:
Pawel, Krupowica, Rick Chin, and Cold Lake Museum.

AFTERMARKET SERVICES CARD

When requesting replacement parts, please take or send this form to your local dealer so that the parts required can be correctly identified. Please note that specifications and availability are subject to change without notice. Or visit <http://www.kineticmodel.com> for latest information. For more information, please contact services@kineticmodel.com

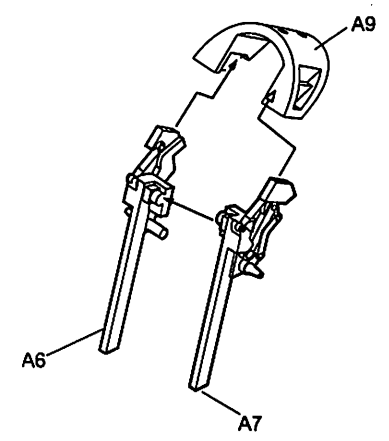
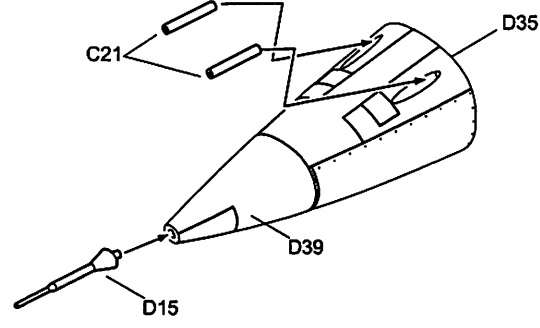
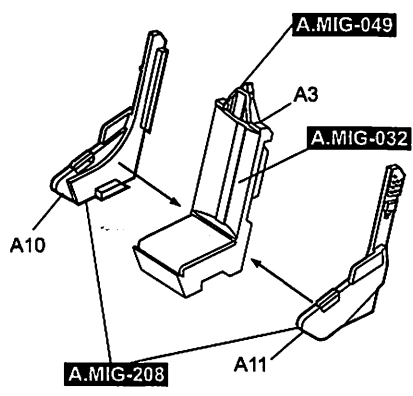
Part Code	K48110	QTY	Item
00-109-001	1/48 F-5A FRONT FUESLAGE	1	A
00-109-002	1/48 F-5A/B MAIN WING	1	B
00-109-003	1/48 F-5A/B LANDING GEAR / TANK	2	C
00-109-004	F-5A/B AFTER FUSLEAGE AND PARTS	1	D
00-109-005	F-5A/B BOTTOM FULESAGE AND CENTER TANK	1	E
00-109-006	F-5A CLEAR PART	1	F
01-109-48110	NF-5A EUROPE EDITION	1	DECAL
03-109-48110	NF-5A EUROPE EDITION	1	MANUAL
06-109-48020	F-5A/B PE Set	1	PE



COLOR	AMMO MIG	VALLEJO MODEL COLOR	GSI CREOS MR. COLOR	TAMIYA ENAMEL/ACRYLIC	HUMBROL ENAMEL
SATIN BLACK	A.MIG-032	70.861	2	X-1	85
RUBBER & TIRES	A.MIG-033	70.306	137	XF-85	67
SATIN WHITE	A.MIG-047	70.842	1	X-2	130
RED	A.MIG-049	71.003	3	XF-7	60/153
YELLOW OLIVE	A.MIG-087	70.877	-	-	-
SILVER	A.MIG-195	71.063	8	X-11	11
MIDDLESTONE	A.MIG-200	71.327	313	-	121
TAN	A.MIG-202	70.843	310	XF-59	118
DARK GRAY	A.MIG-204	70.868	305	XF-77	125
BS641 DARK GREEN	A.MIG-206	71.294	309	-	163
FS36320 GRAY	A.MIG-208	71.120	307	-	128
MEDIUM GRAY	A.MIG-211	71.275	306	-	-
SILVER GRAY	A.MIG-212	71.119	332	-	-
FS36622	A.MIG-226	71.296	311	-	28

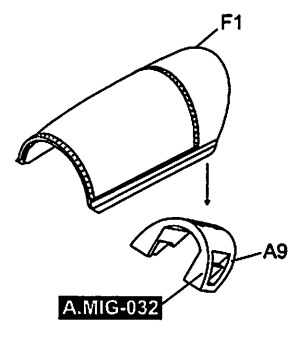
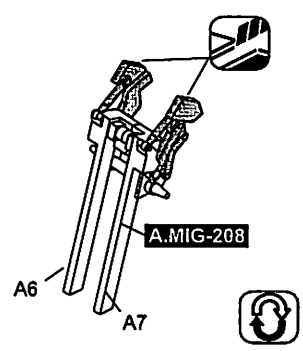
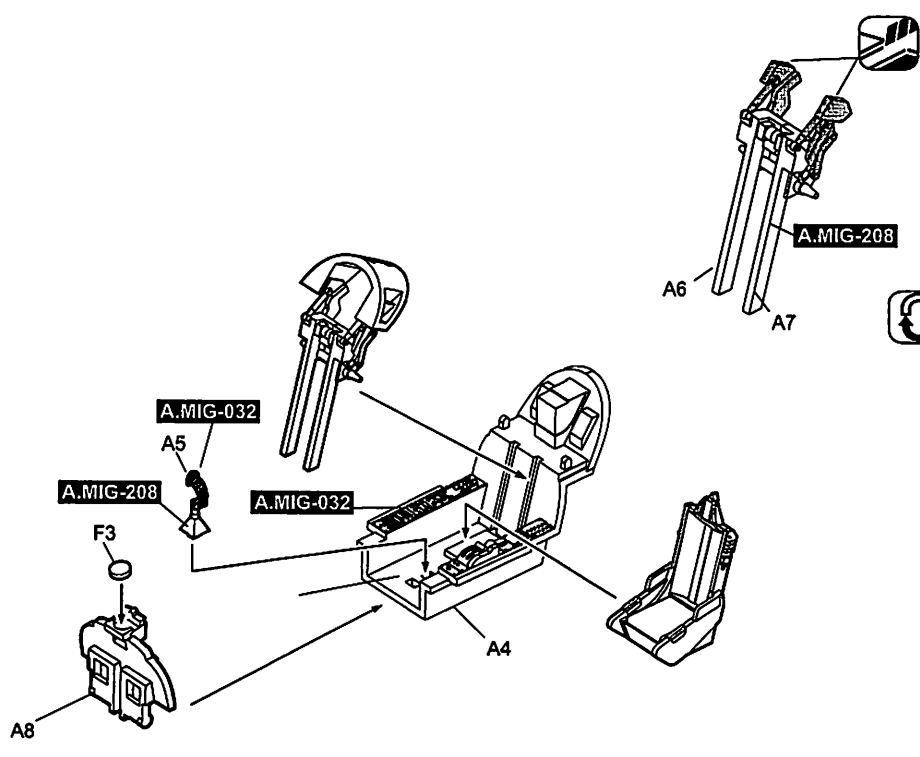
For Color Profile, please go to www.kineticmodel.com for download
(type the kit# and go for manual/painting guide)

1



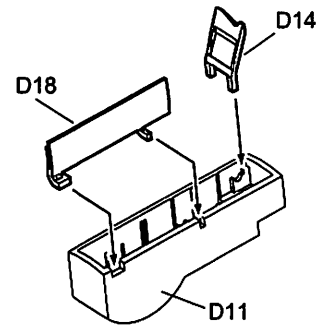
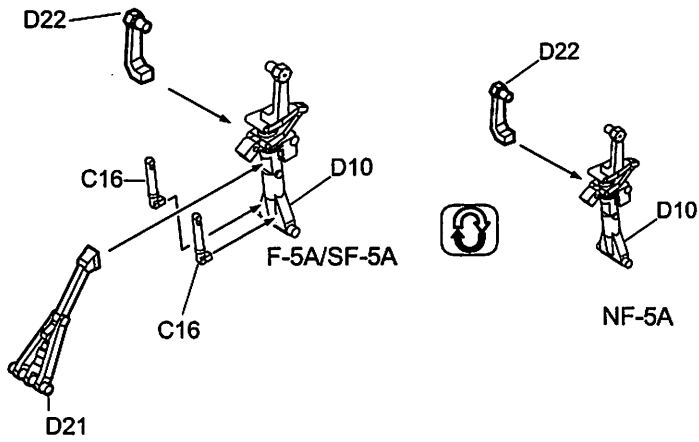
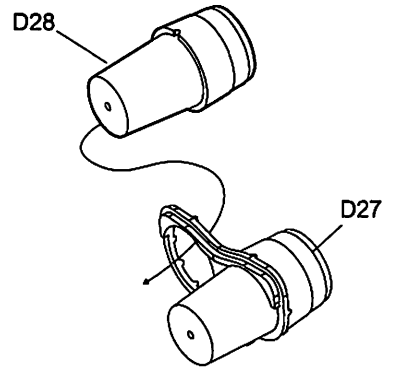
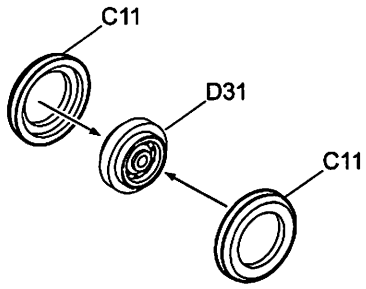
Canopy open option

2



Canopy closed option

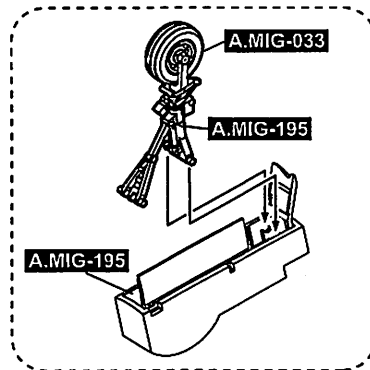
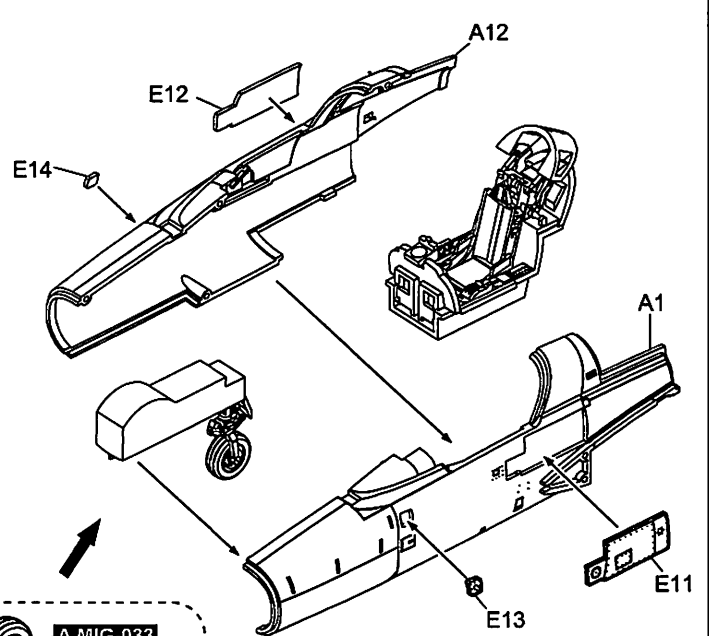
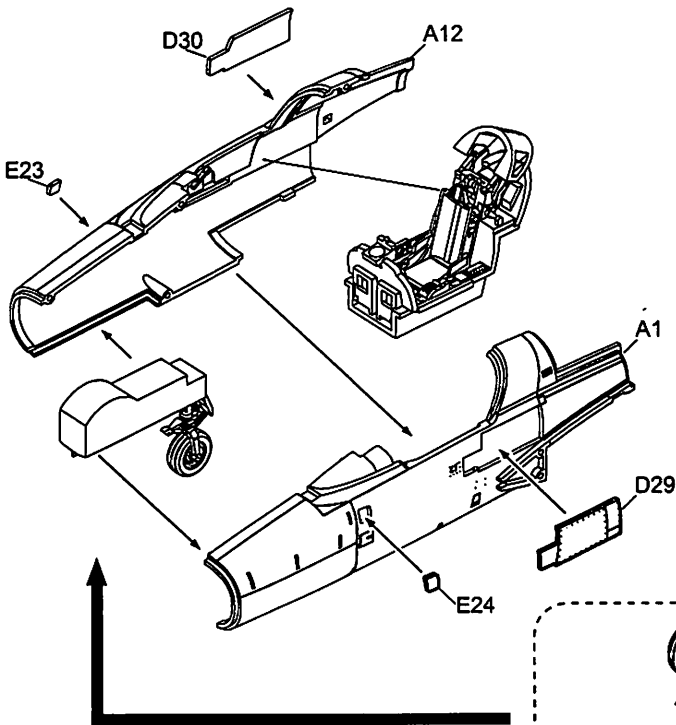
3



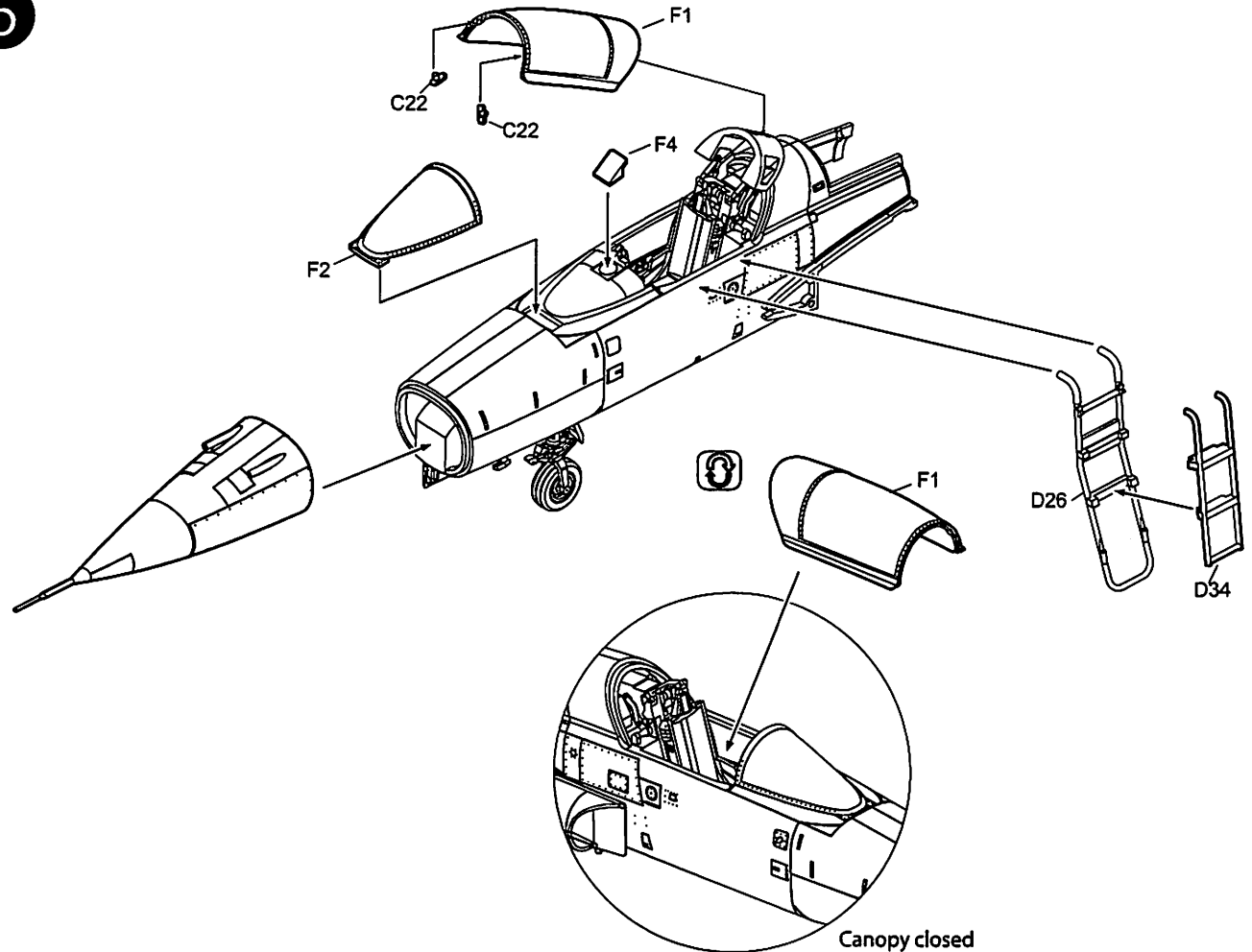
4

F-5A/SF-5A

NF-5A

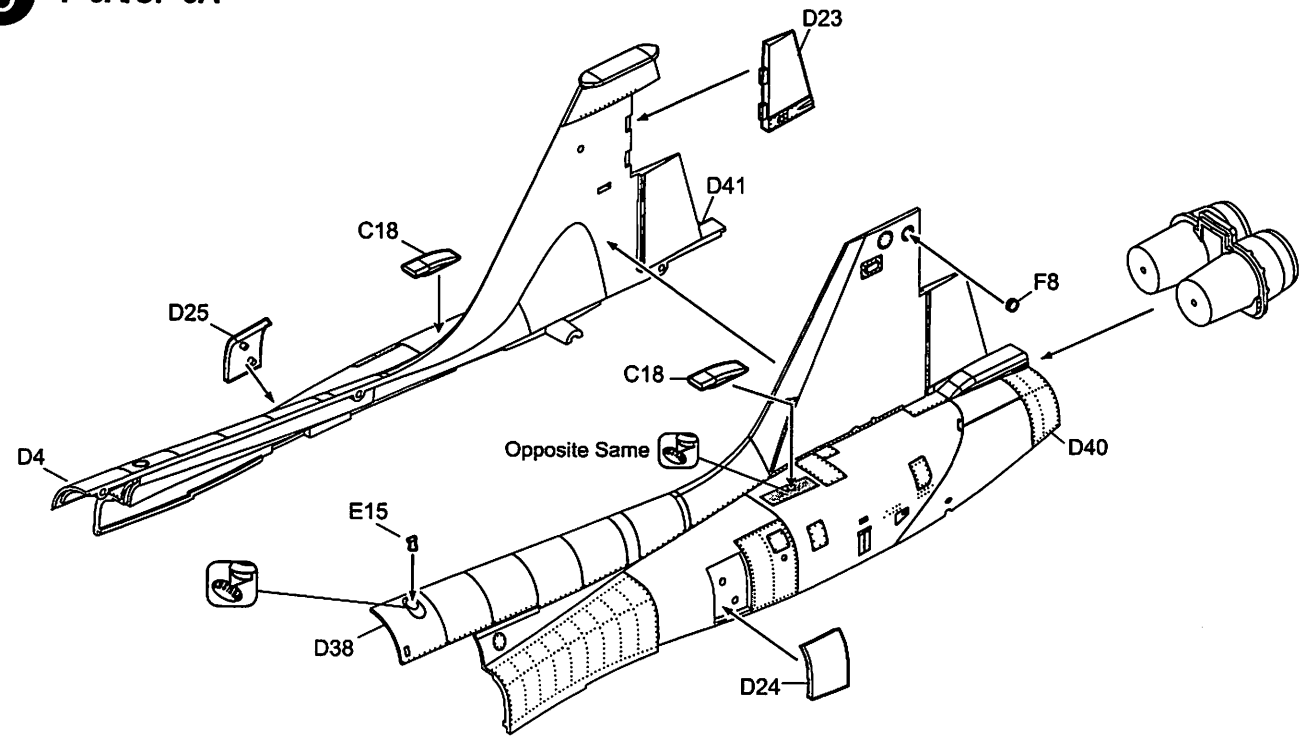


5

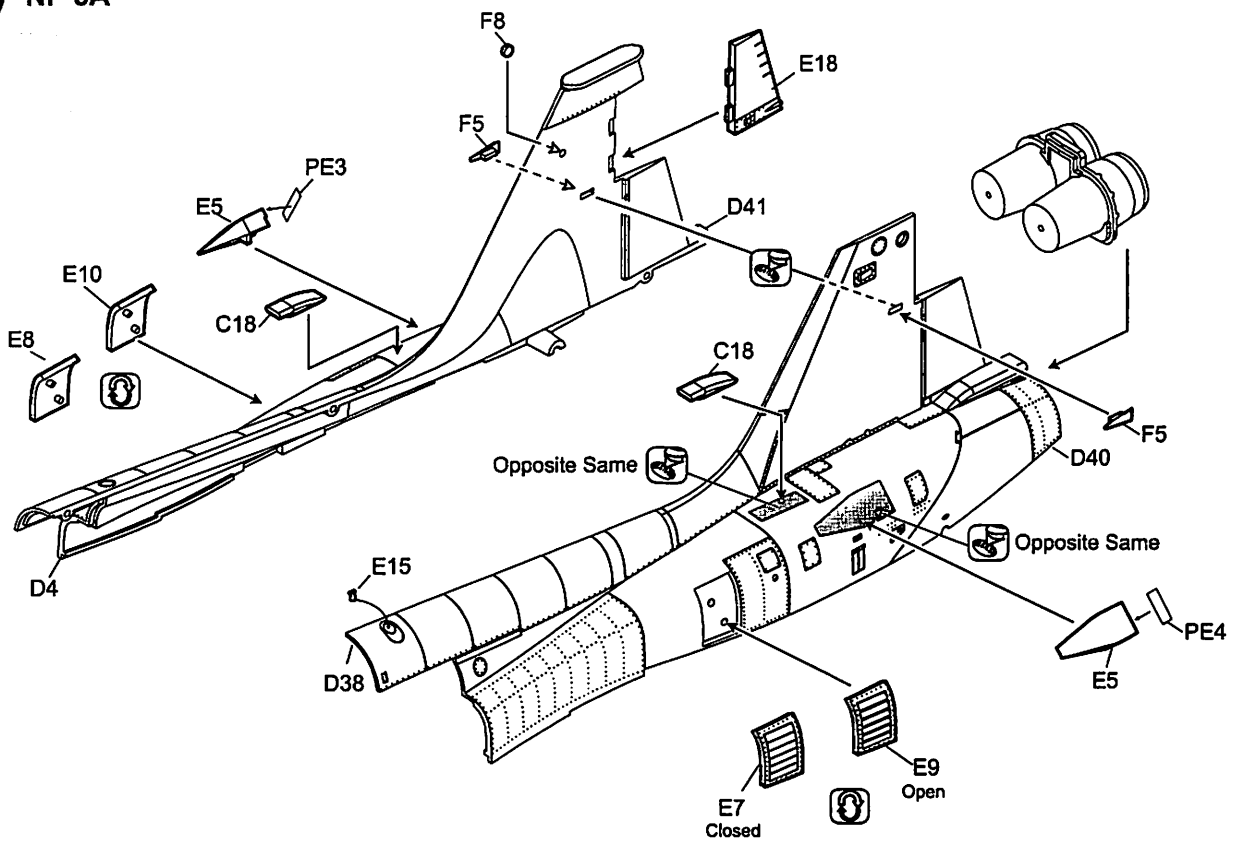


6

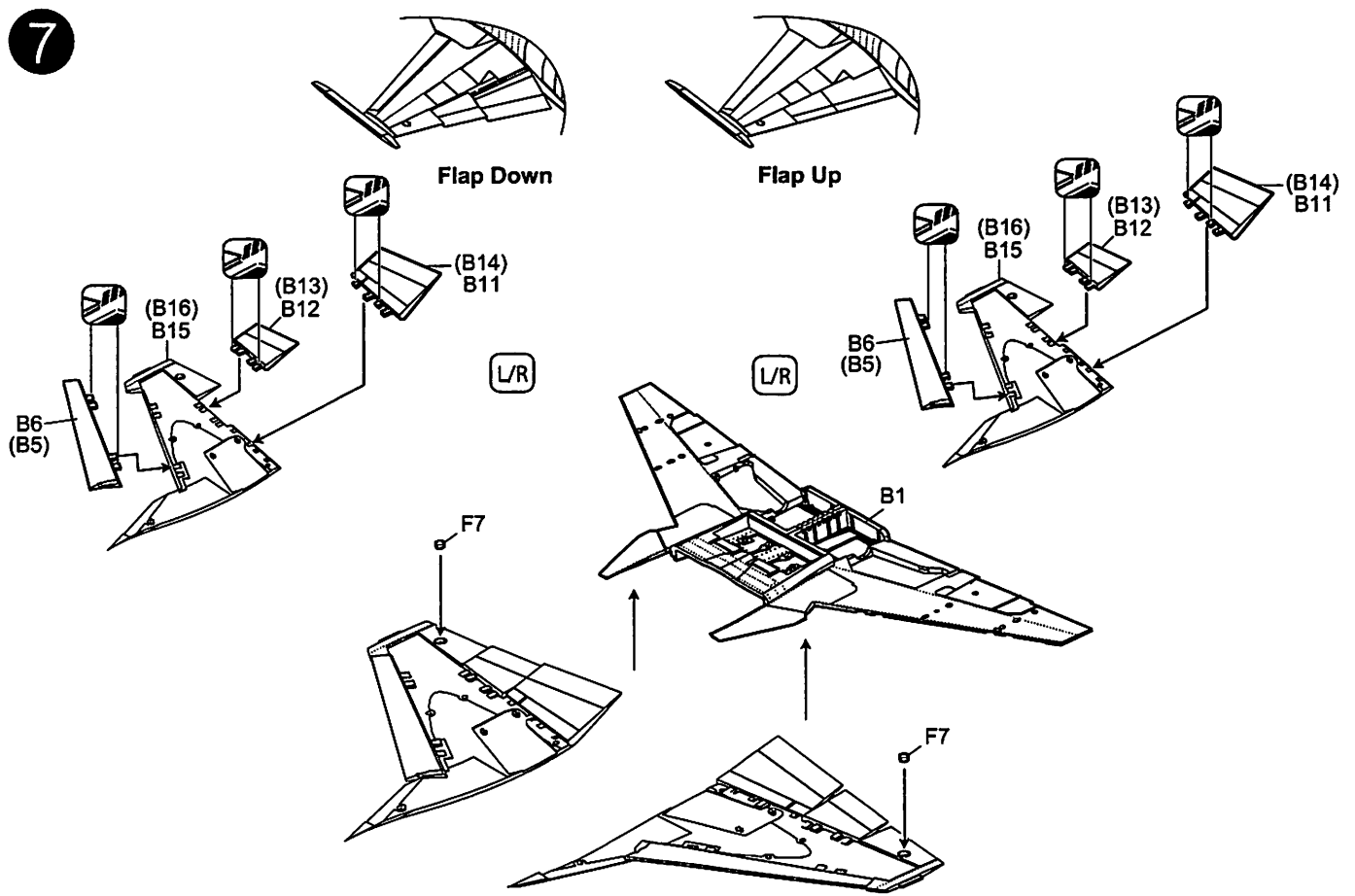
F-5A/SF-5A



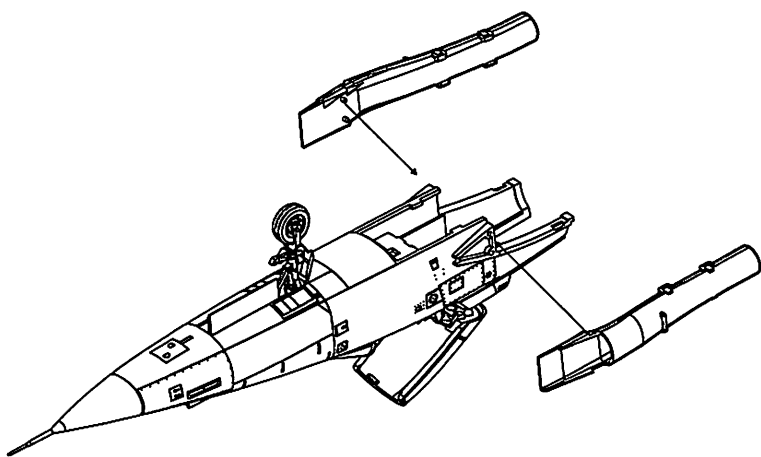
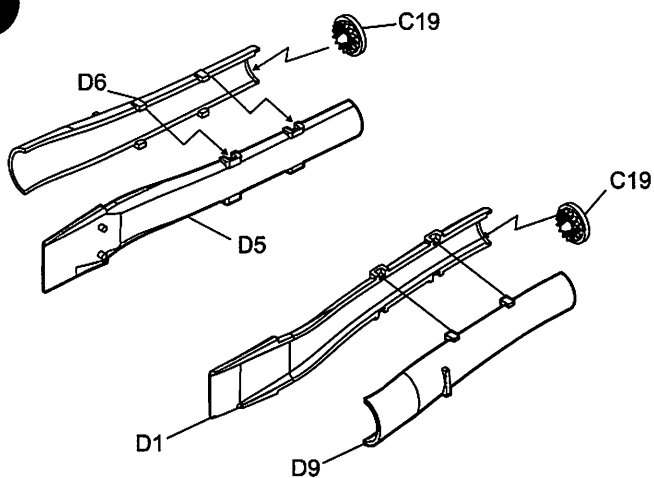
6-1 NF-5A



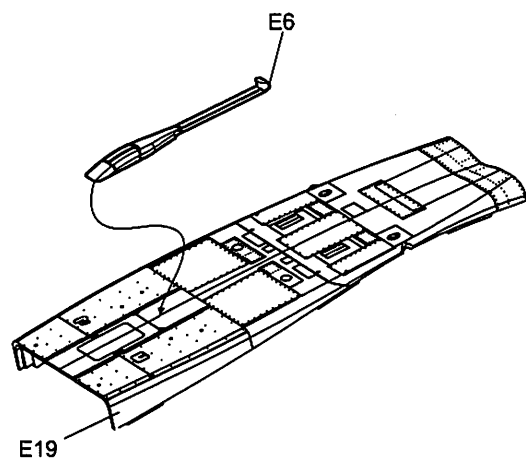
7



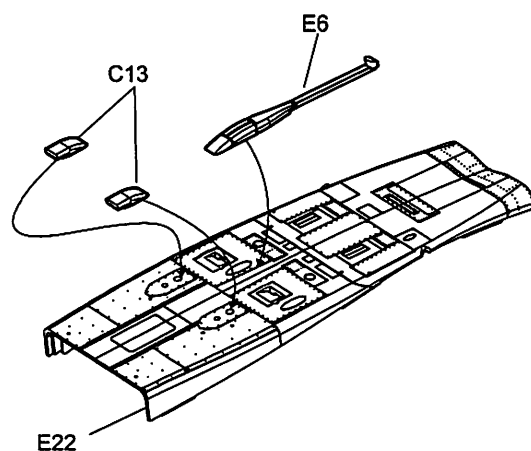
8



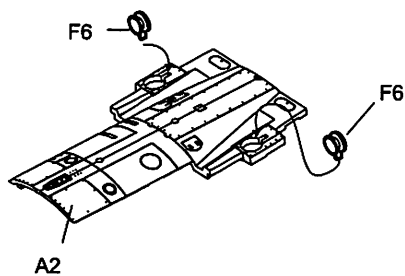
F-5A/SF-5A



NF-5A



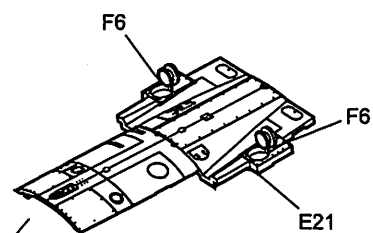
9



F-5A/SF-5A



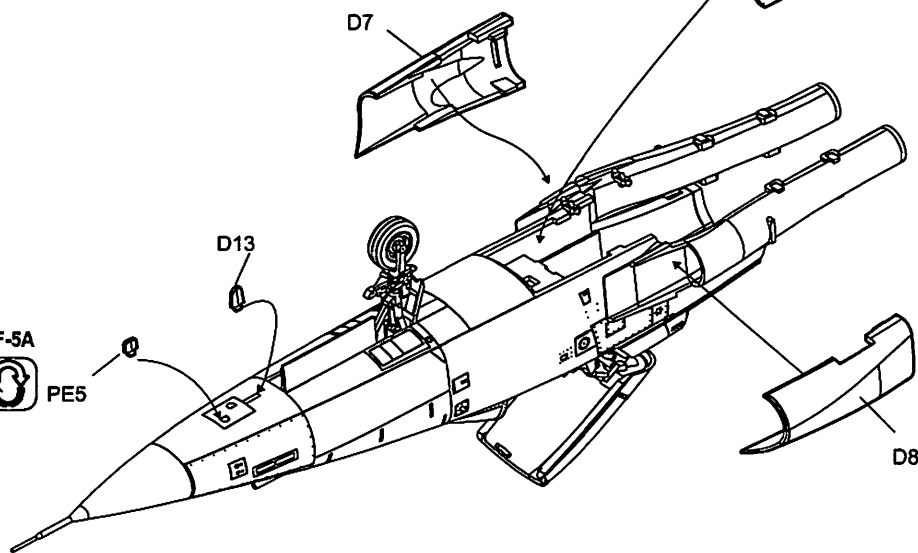
NF-5A



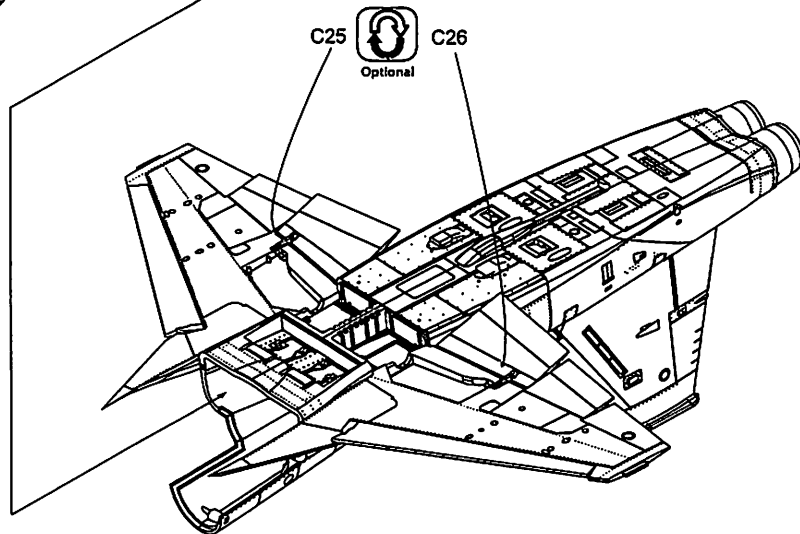
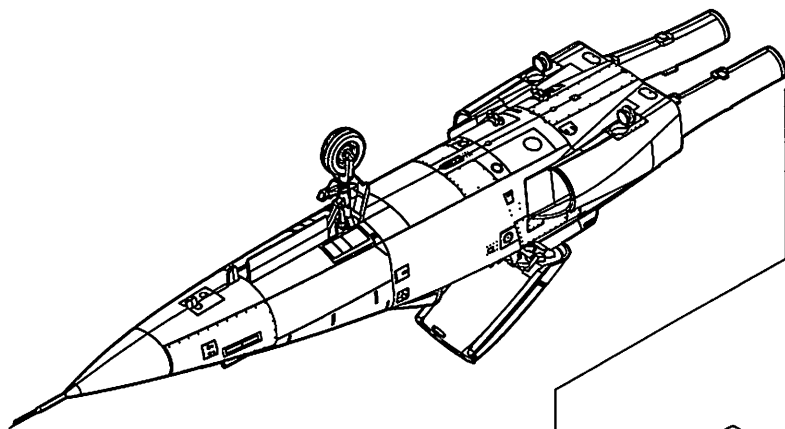
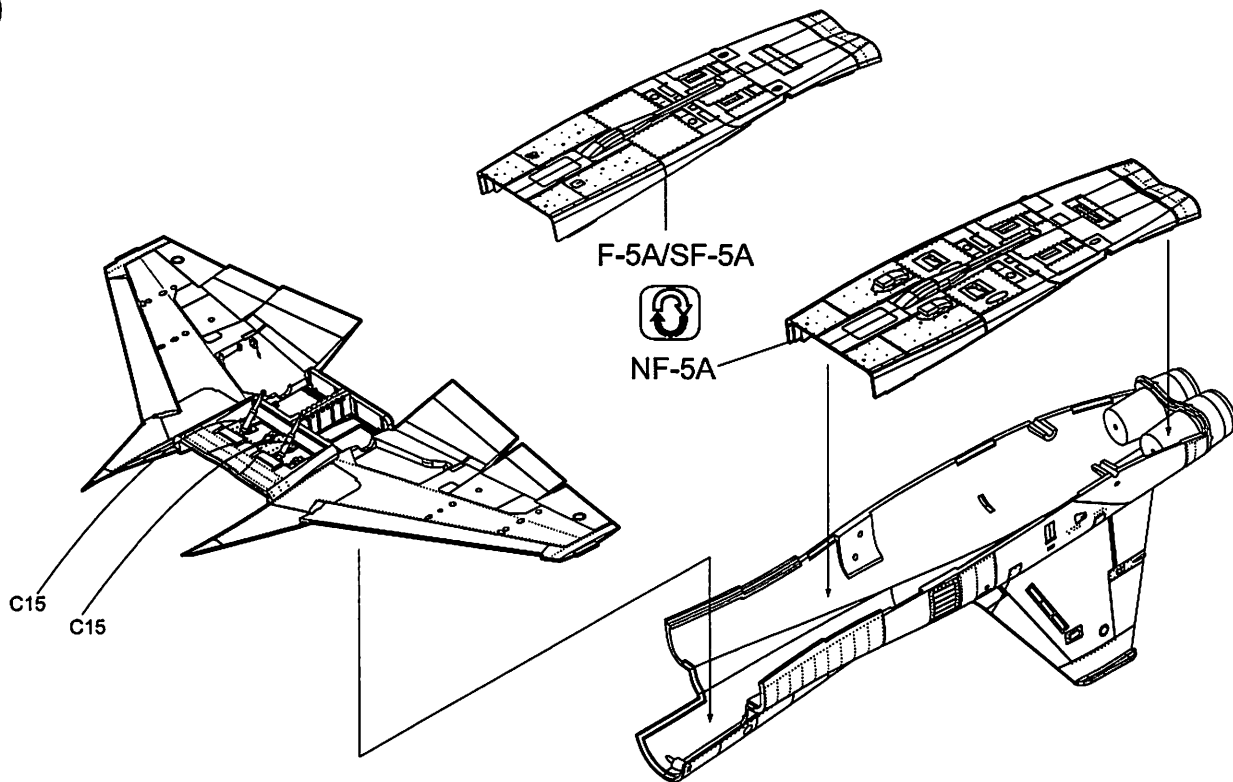
NF-5A



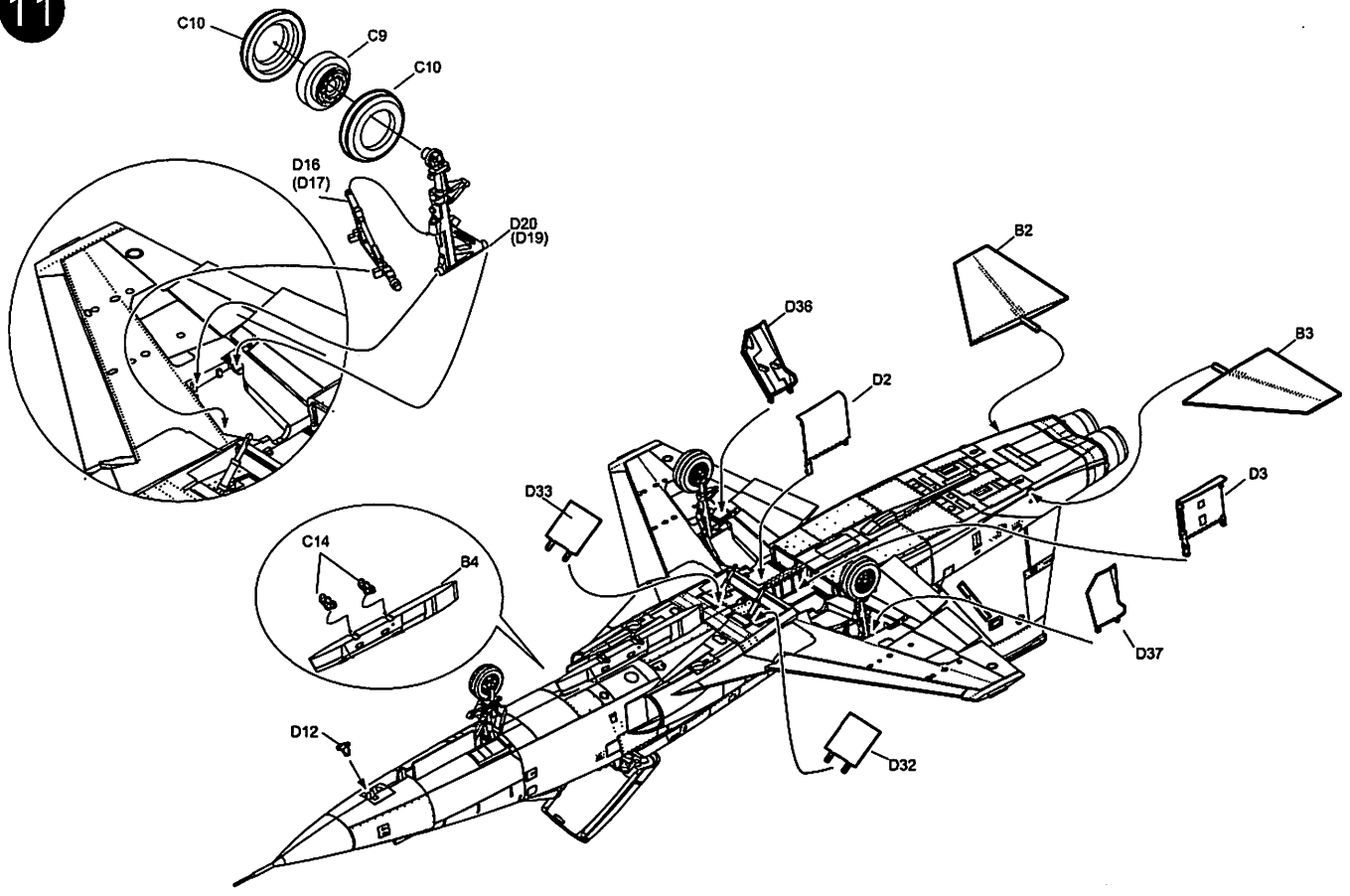
PE5



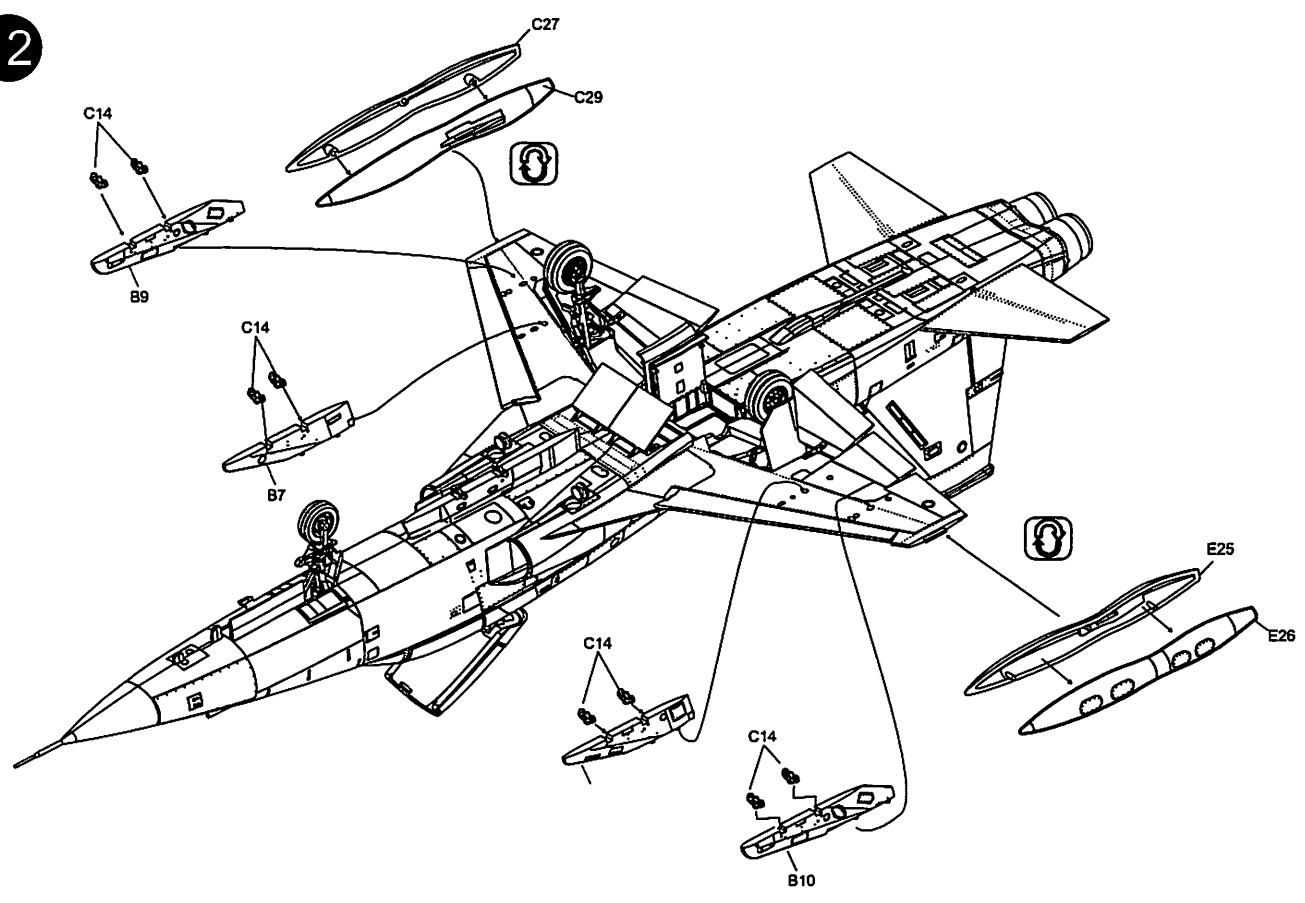
10



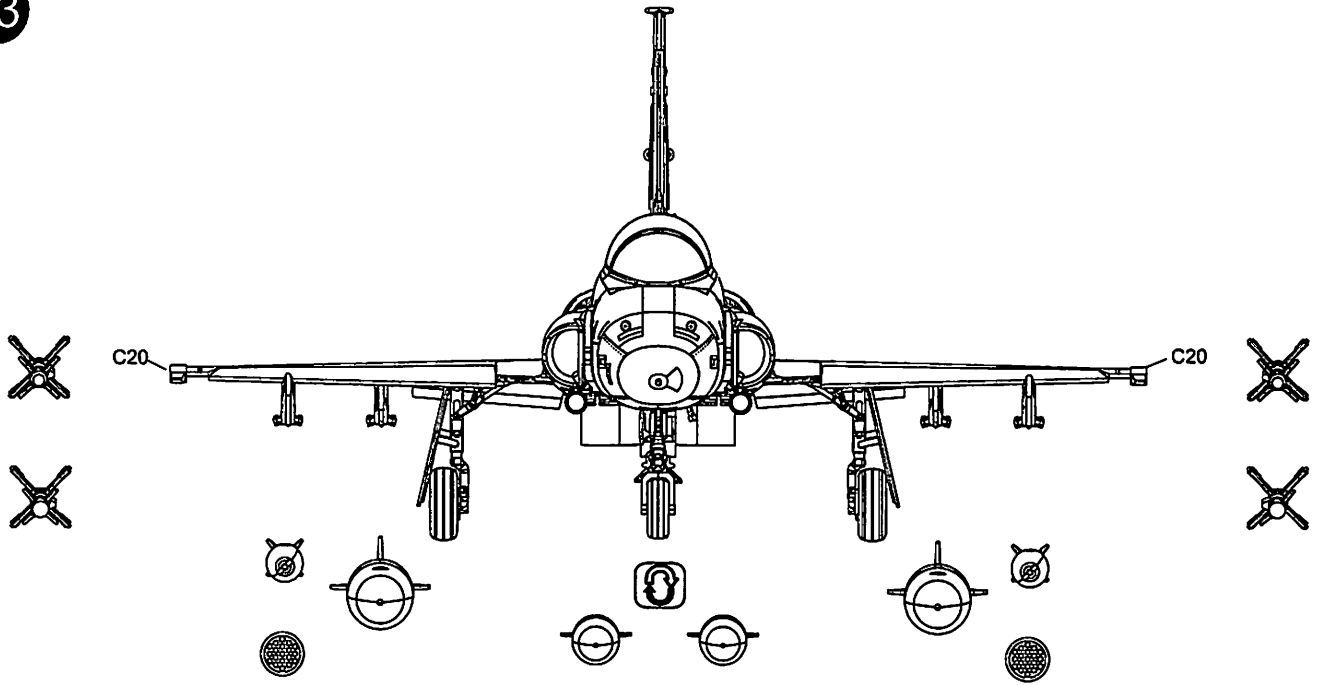
11



12

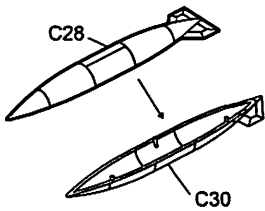


13

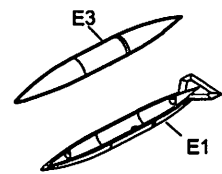
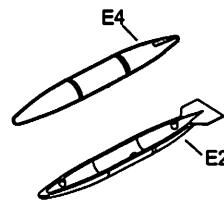
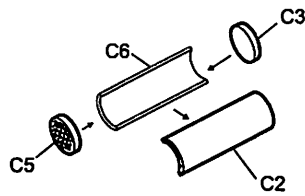


Centerline Fuel Tank #1

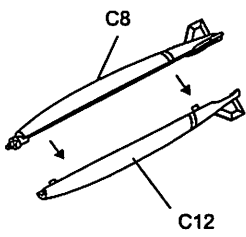
Fuel Tank



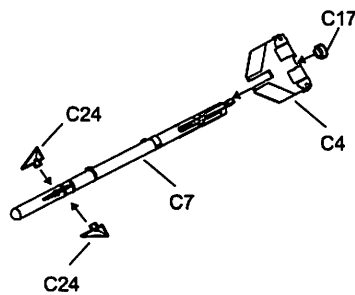
Rocket Launcher



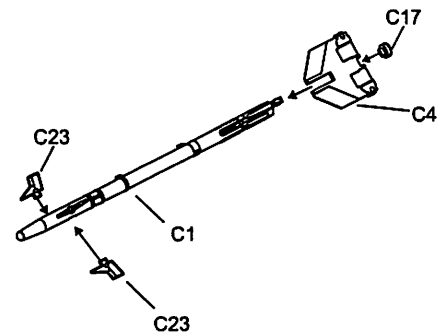
MK82



AIM-9B

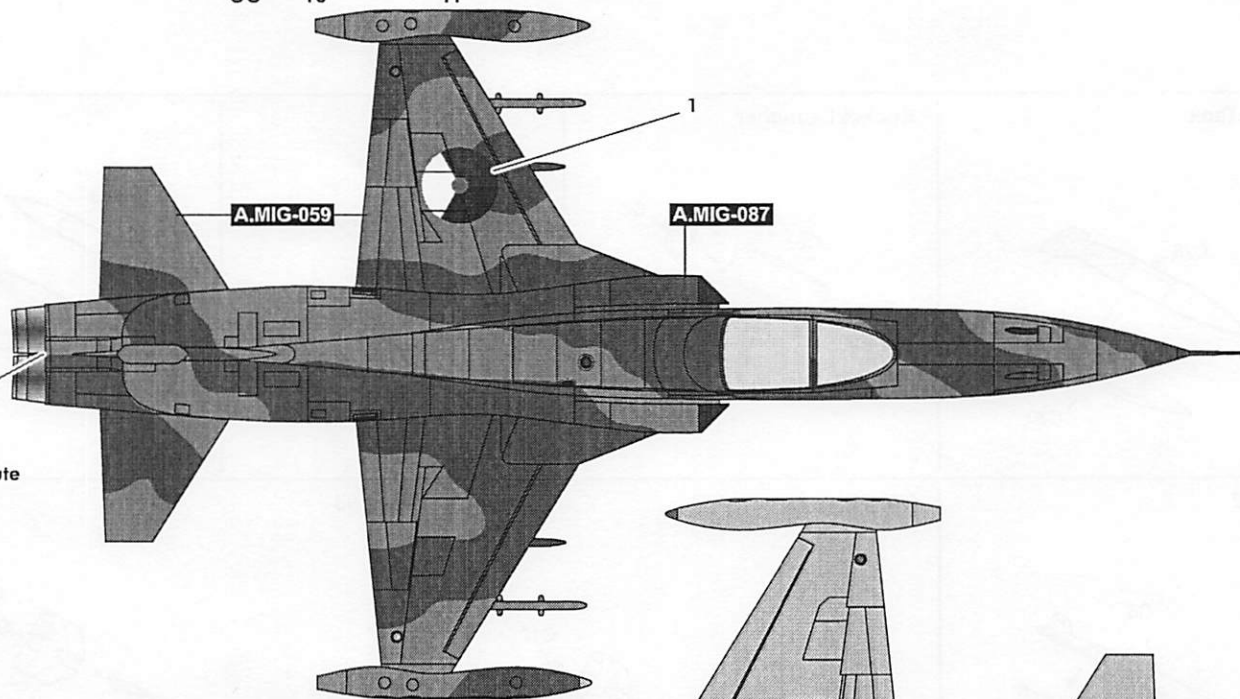
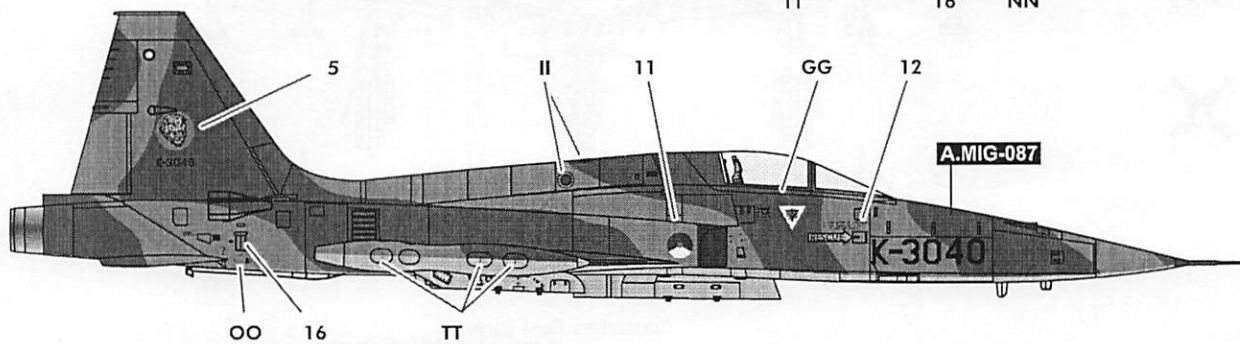
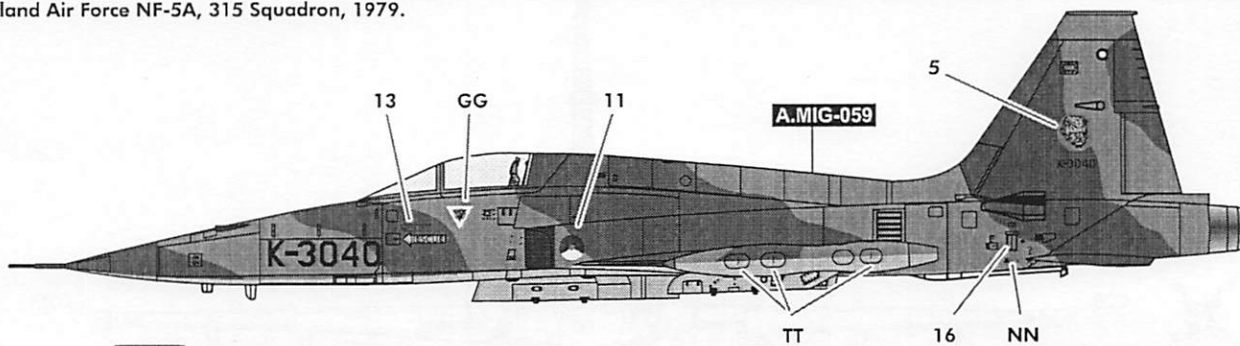


AIM-9J

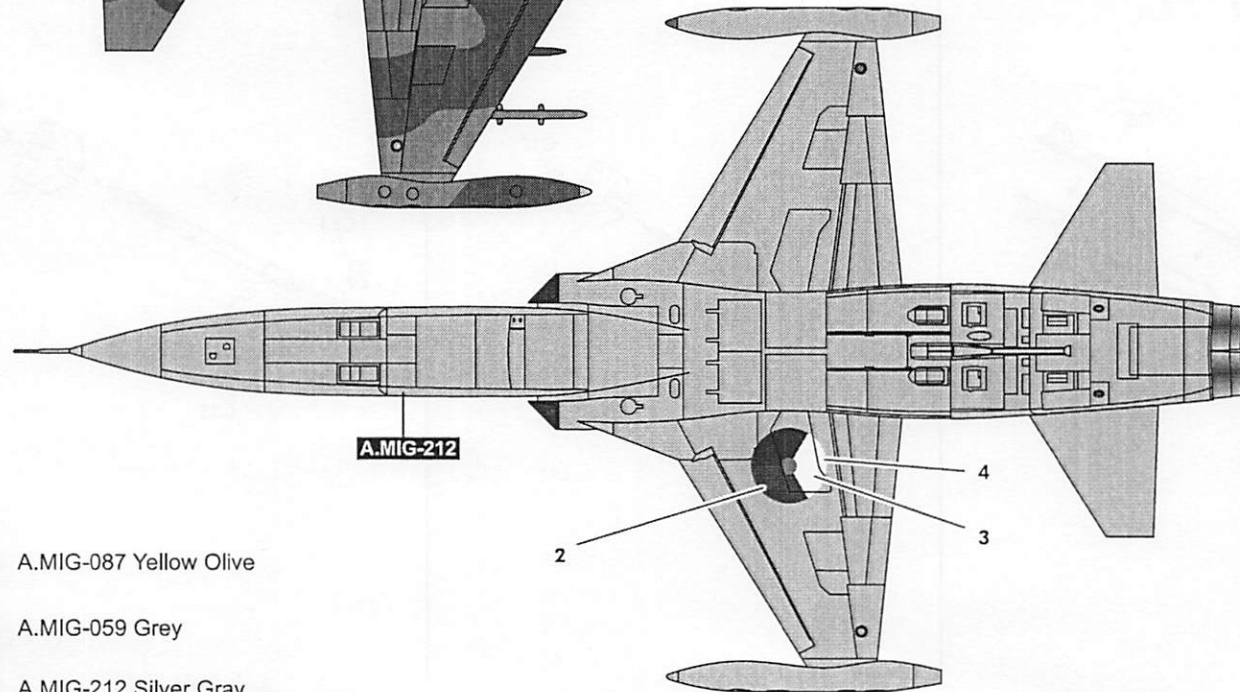


1/48 SCALE AIRCRAFT SERIES NO: K48110

1. Netherland Air Force NF-5A, 315 Squadron, 1979.



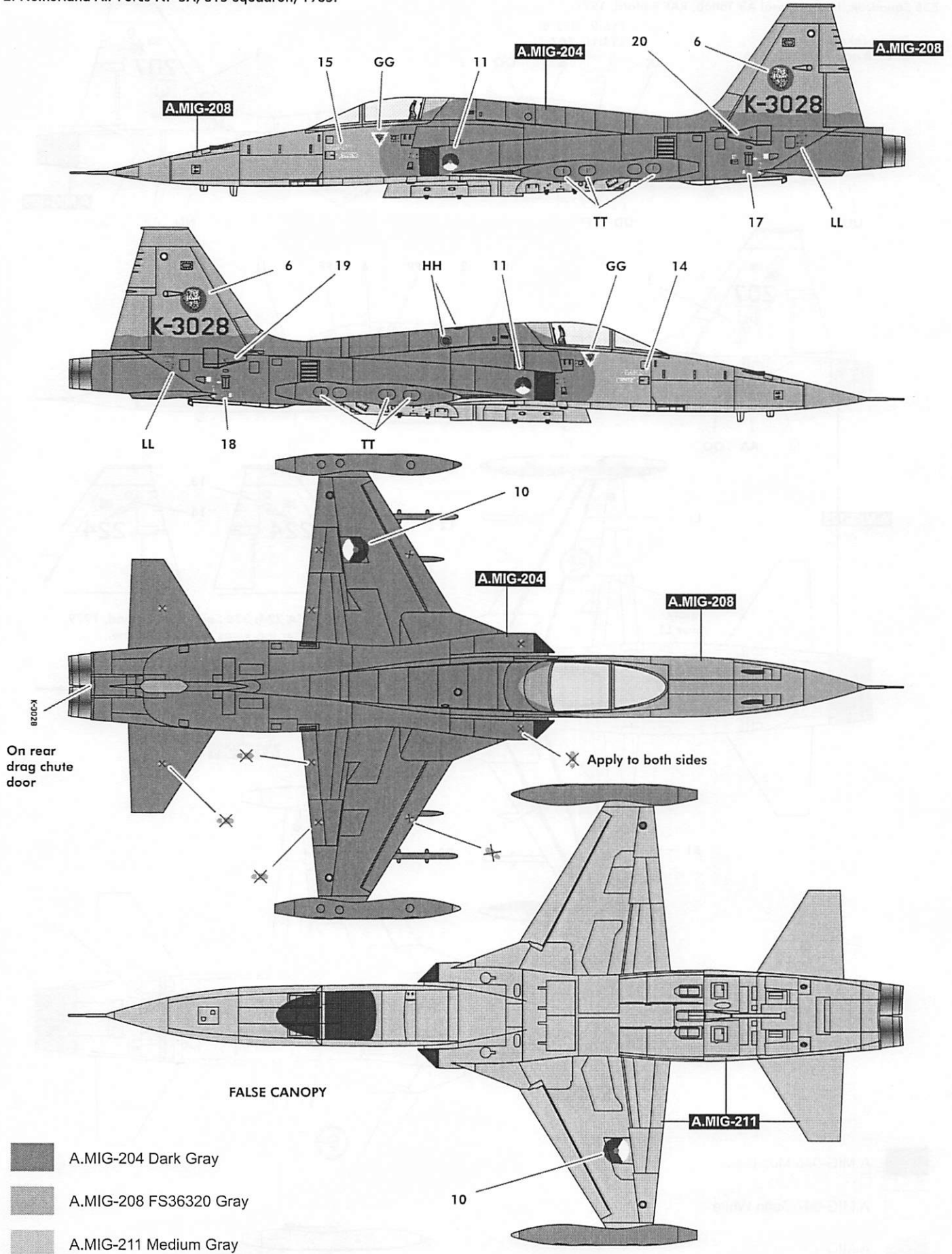
On rear
drag chute
door



-  A.MIG-087 Yellow Olive
-  A.MIG-059 Grey
-  A.MIG-212 Silver Gray

1/48 SCALE AIRCRAFT SERIES NO: K48110

2. Netherland Air Force NF-5A, 315 Squadron, 1985.



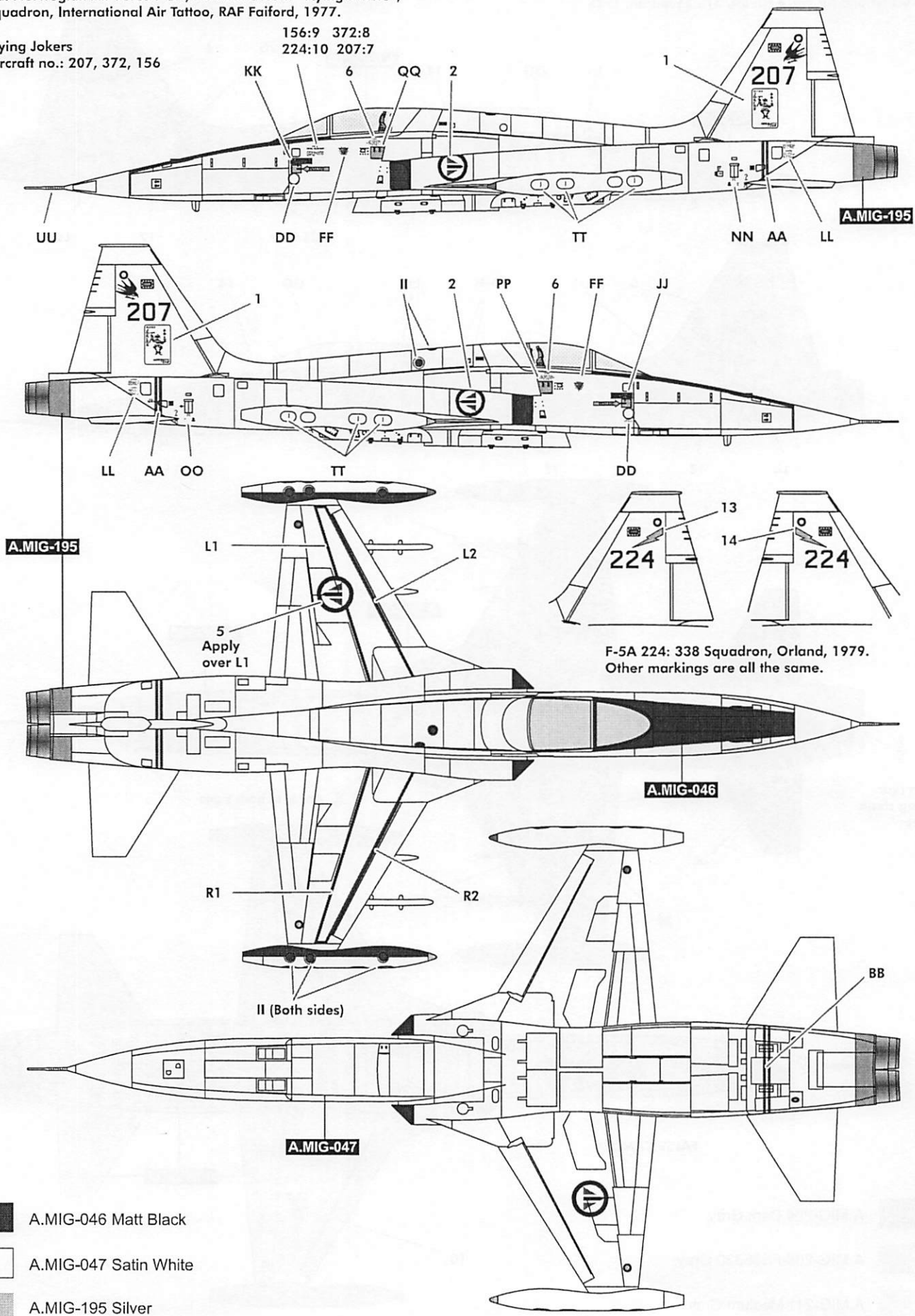
- A.MIG-204 Dark Gray
- A.MIG-208 FS36320 Gray
- A.MIG-211 Medium Gray

1/48 SCALE AIRCRAFT SERIES NO: K48110

3. Royal Norwegian Air Force F-5A, Acrobatic team "Flying Jokers",
336 Squadron, International Air Tattoo, RAF Fairford, 1977.

Flying Jokers
aircraft no.: 207, 372, 156

156:9 372:8
224:10 207:7

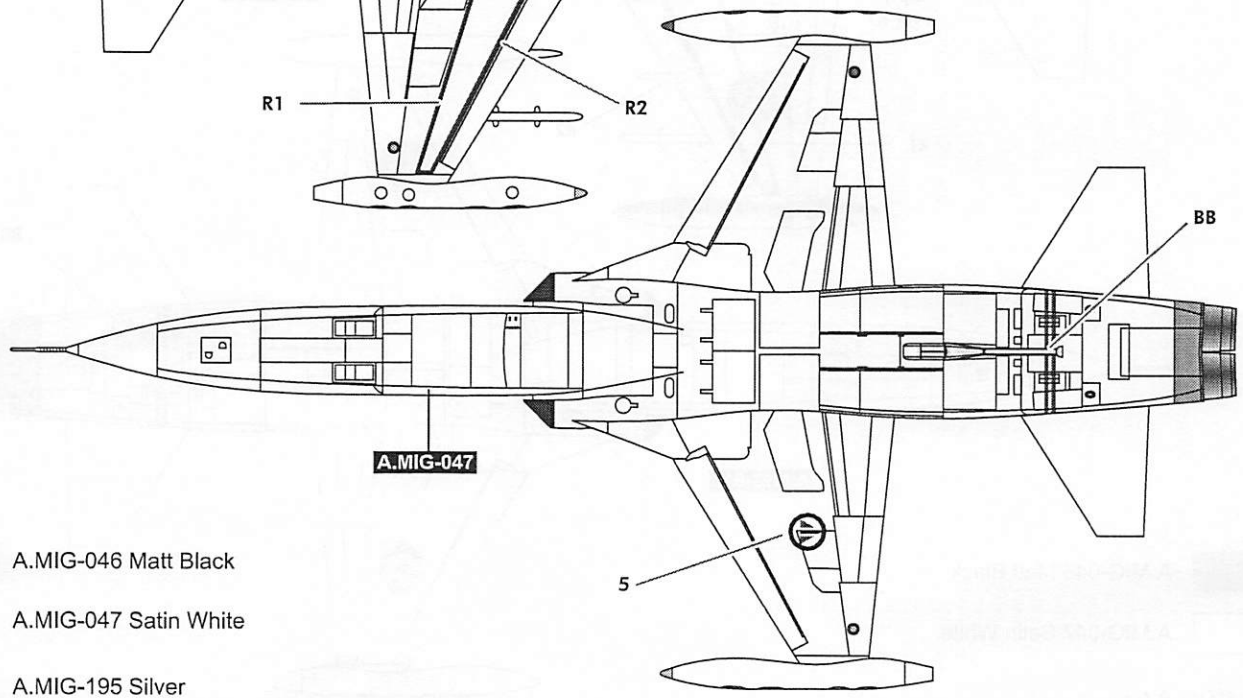
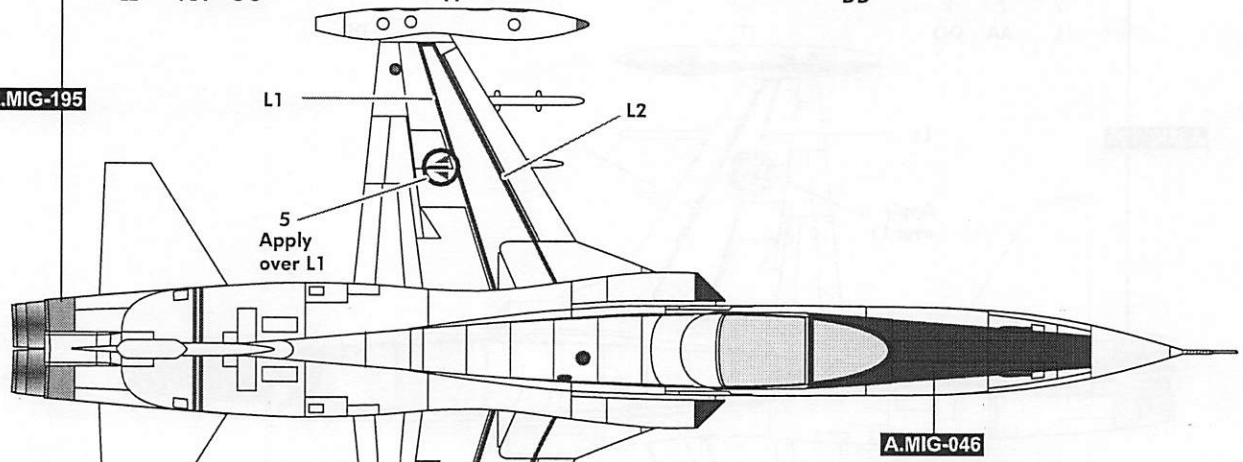
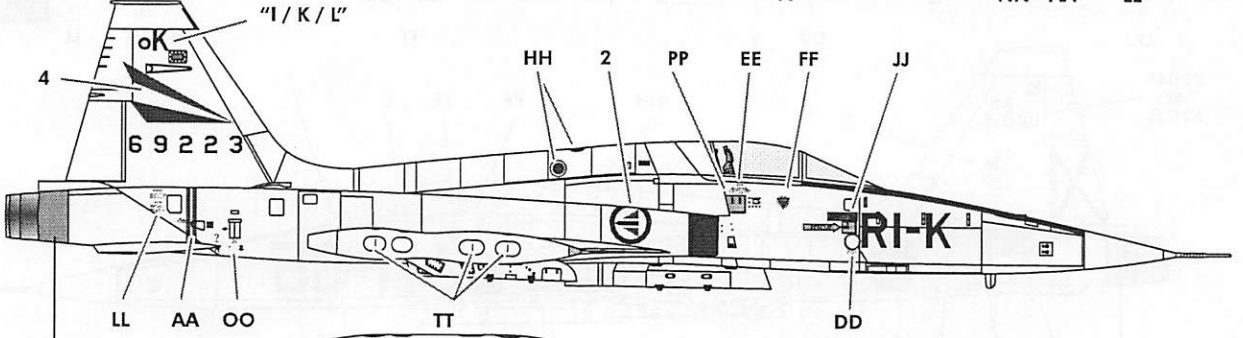
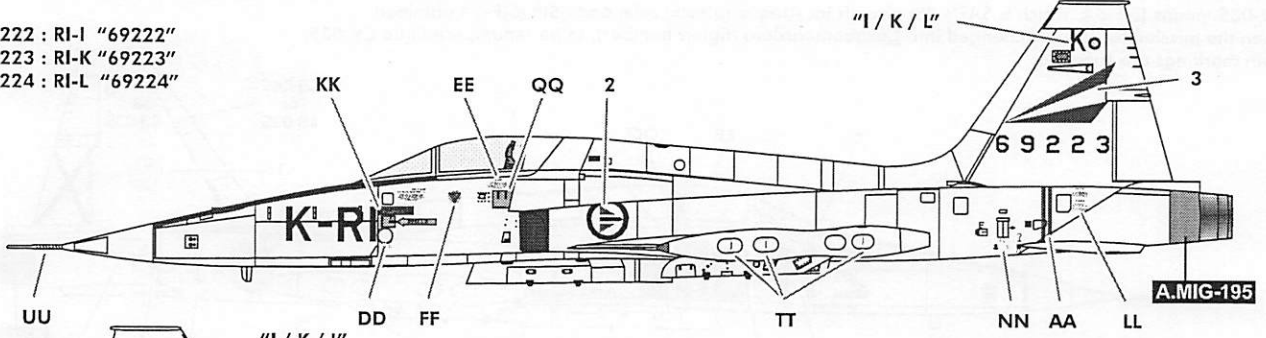


- A.MIG-046 Matt Black
- A.MIG-047 Satin White
- A.MIG-195 Silver

1/48 SCALE AIRCRAFT SERIES NO: K48110

4. Royal Norwegian Air Force F-5A, 334 Squadron, Bodo, 1969.

- 66-9222 : RI-I "69222"
- 66-9223 : RI-K "69223"
- 66-9224 : RI-L "69224"

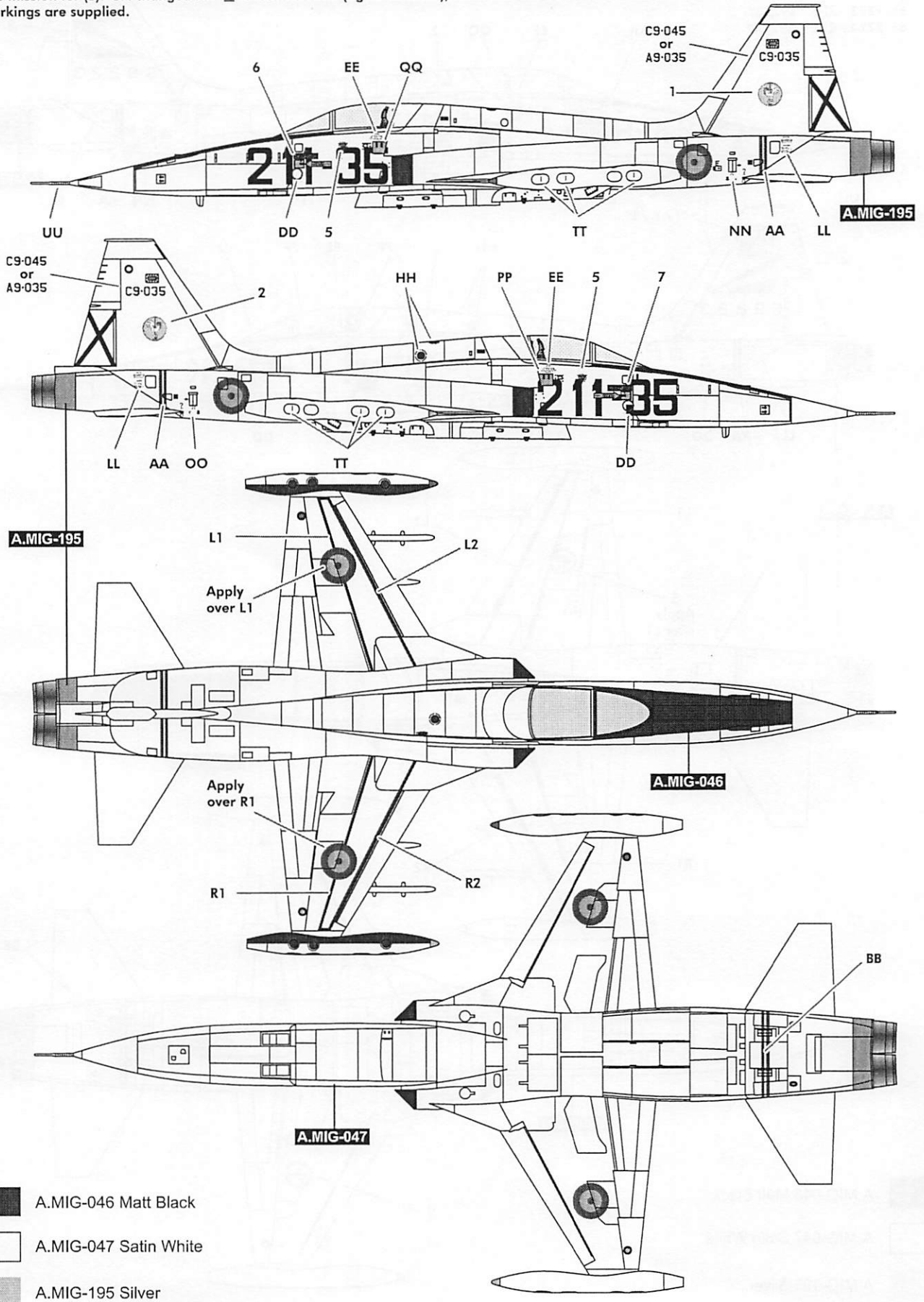


-  A.MIG-046 Matt Black
-  A.MIG-047 Satin White
-  A.MIG-195 Silver

1/48 SCALE AIRCRAFT SERIES NO: K48110

5. Spanish Air Force SF-5A, 211 Squadron, Moron, Spain, 1971.

A9-035 means (S)F-5A, which is SAF's 9th aircraft for Ataque (attack) role, and 35th (S)F-5A obtained. Soon the mission for (S)F-5A changed into Cazabombardero (figher bomber), to be renumbered into C9-035. Both markings are supplied.

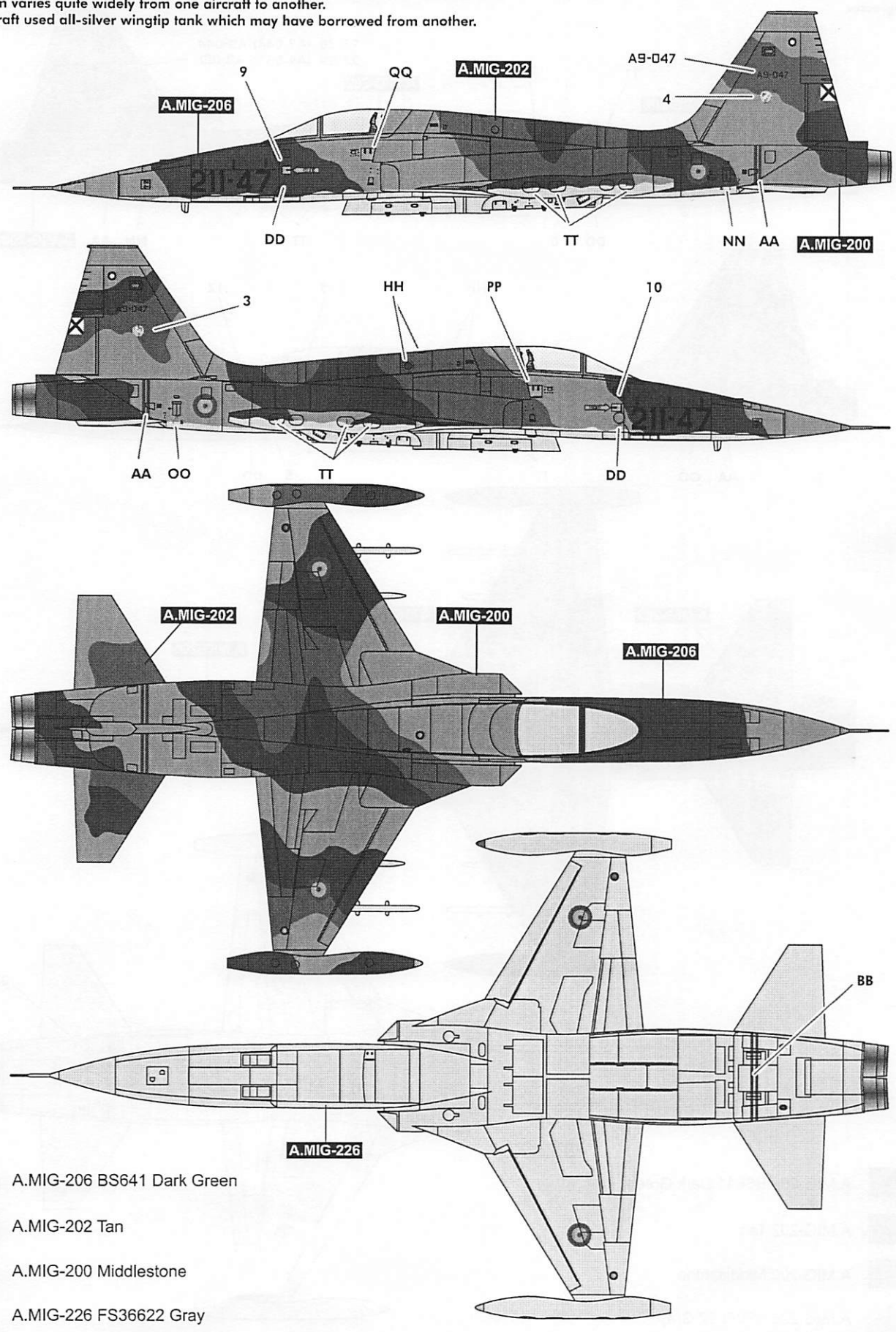


- A.MIG-046 Matt Black
- A.MIG-047 Satin White
- A.MIG-195 Silver

1/48 SCALE AIRCRAFT SERIES NO: K48110

6. Spanish Air Force SF-5A, 211 Squadron, Moron, Spain, 1976.

"Asia Minor" camouflage have been applied around 1976 and kept until the retirement. The pattern varies quite widely from one aircraft to another. Some aircraft used all-silver wingtip tank which may have borrowed from another.

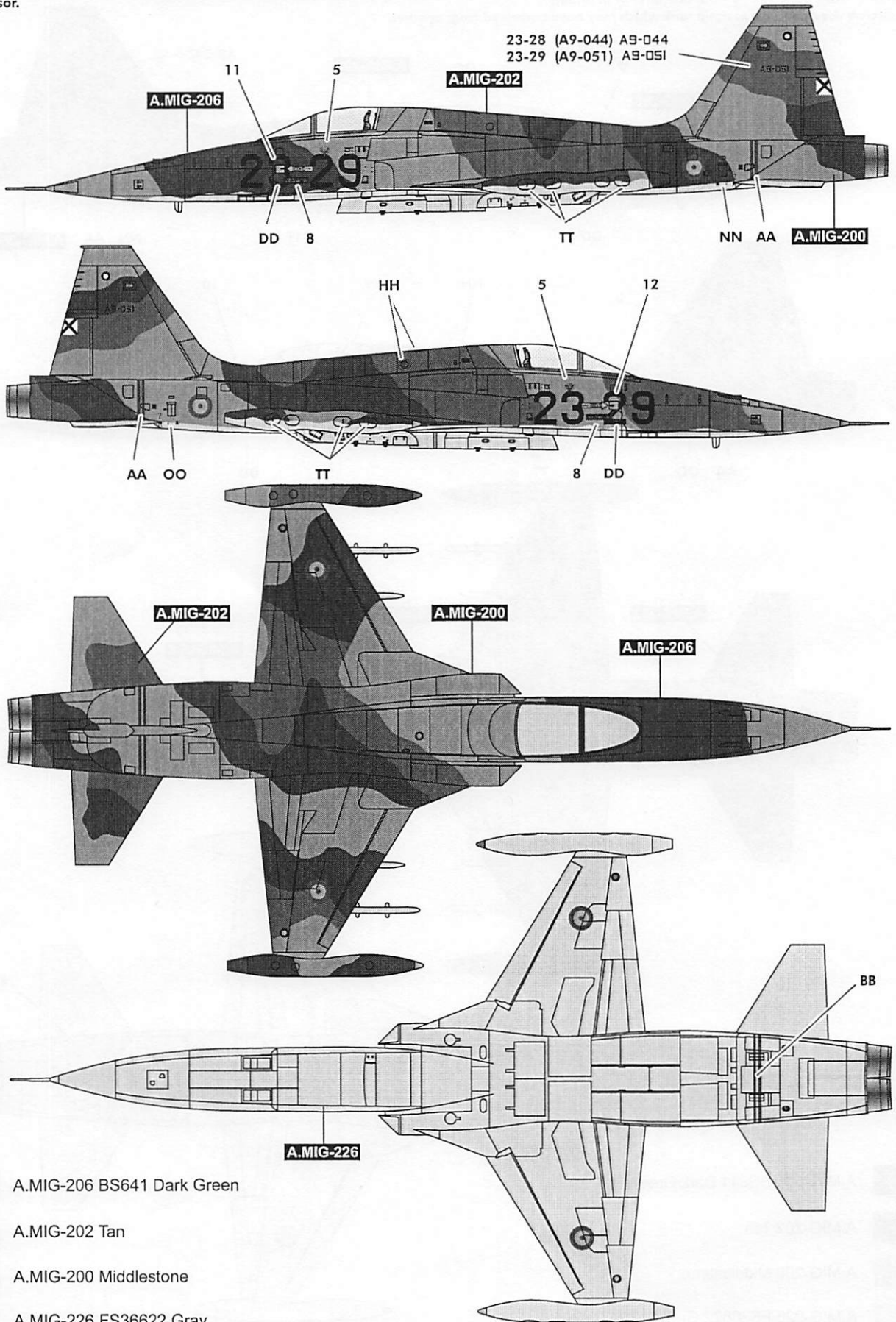


- A.MIG-206 BS641 Dark Green
- A.MIG-202 Tan
- A.MIG-200 Middlestone
- A.MIG-226 FS36622 Gray

1/48 SCALE AIRCRAFT SERIES NO: K48110

7. Spanish Air Force SF-5A, 23rd Wing, 1996.

As 23rd is a Fighter/Strike Training unit, these single seater worked as target tower, trainer, and aggressor.



- A.MIG-206 BS641 Dark Green
- A.MIG-202 Tan
- A.MIG-200 Middlestone
- A.MIG-226 FS36622 Gray