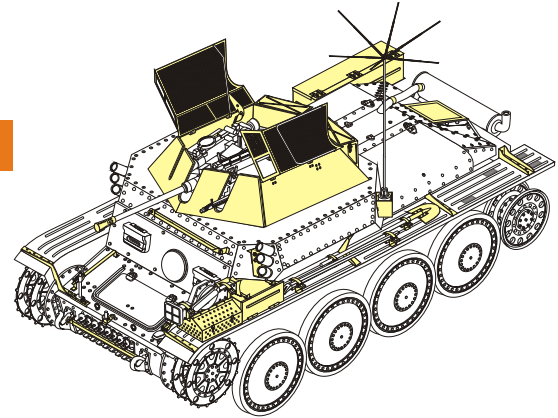


1/35 MILITARY MINIATURE VEHICLE UPGRADE SERIES PE35147

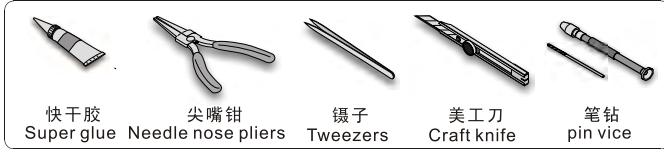
# WWII German Aufklärungspanzer 38(t)


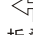







## 二战德军38(t)侦察坦克改造件


[For DARGON 6294]



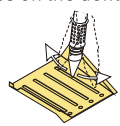
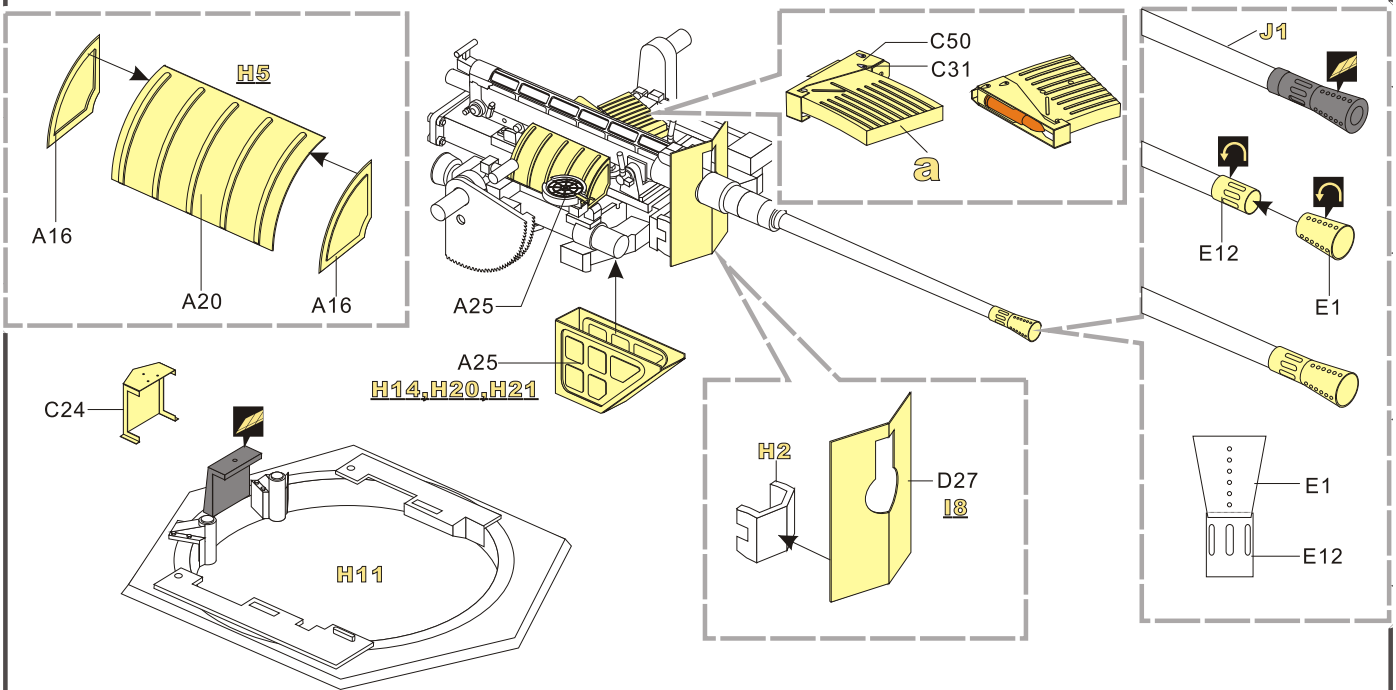
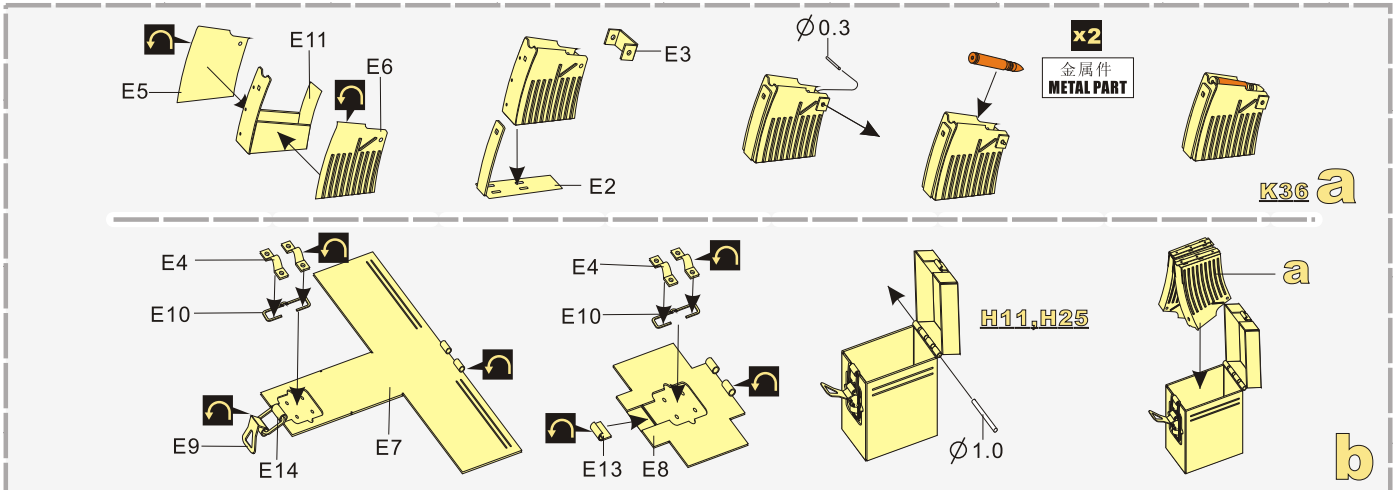
■ 推荐使用工具 RECOMMENDED TOOLS



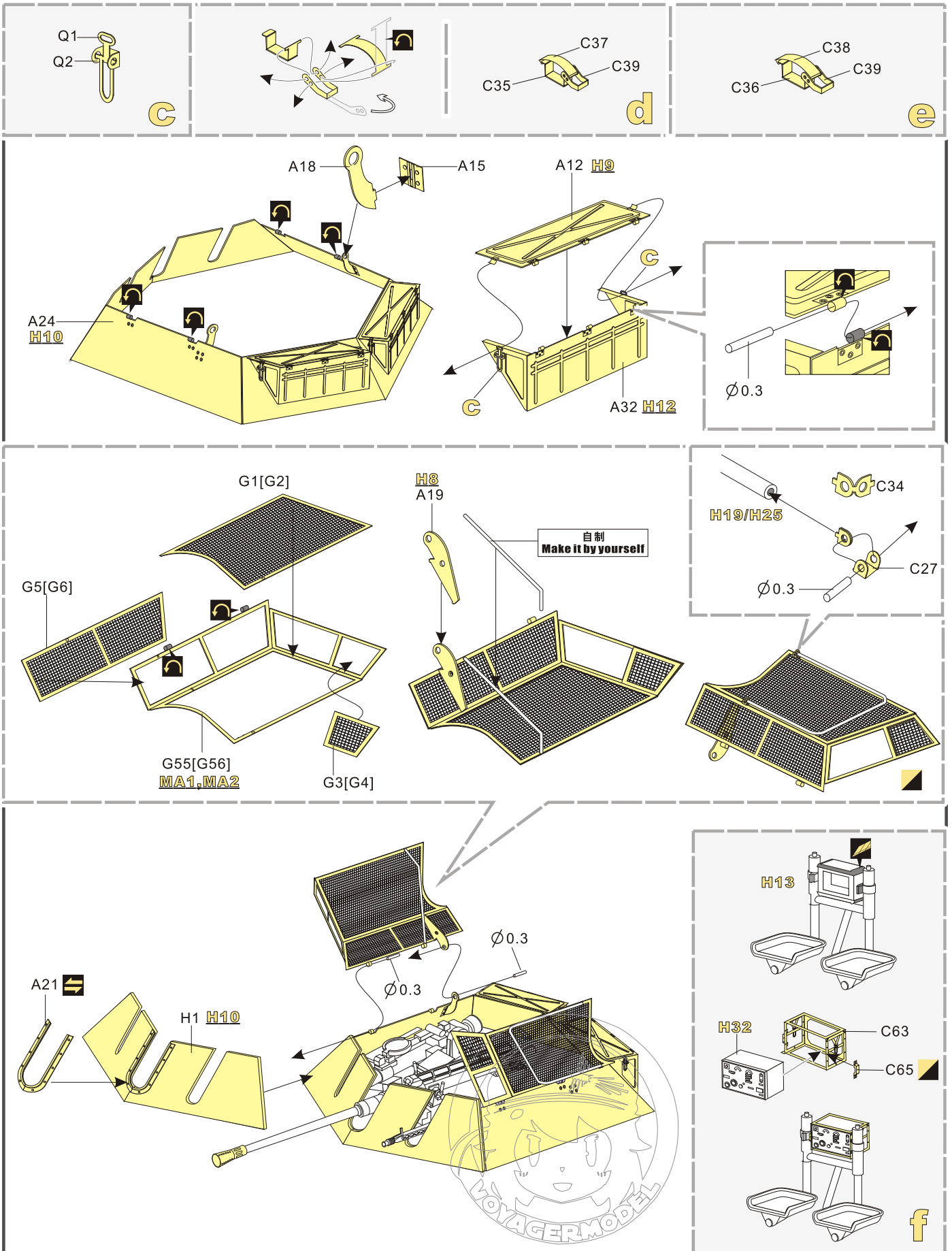
-   
 安装  
install
-   
 折叠  
bend
- A1**  
 改造件零件编号  
PE/resin part number
- B12**  
 原零件编号  
kit part number
- C22**  
 被替换的原零件编号  
replaced kit part number
-   
 另一侧相同制作  
repeat on opposite side
-   
 切除  
remove
-   
 打磨  
grind off
-   
 弧度卷曲  
radial bending
- x2**  
 制作若干组  
multiple assembly
-   
 选择安装  
alternative
-   
 钻孔  
drill
-   
 用胶棒制作  
make from plastic rod

  
 用尖端在凹槽处冲压  
use penpoint to press on the dent

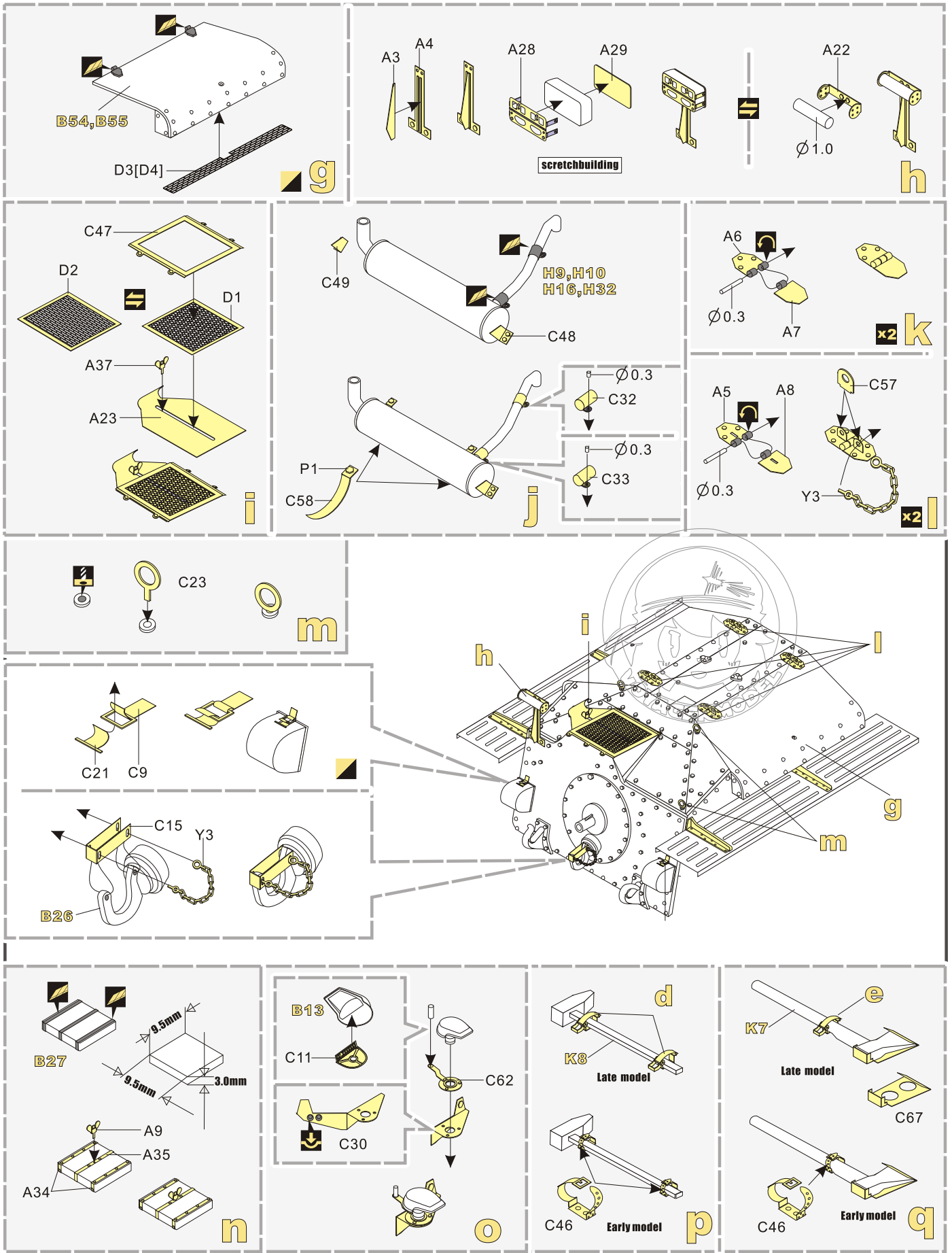
蚀刻片零件内侧面向上  
Put the part upside down  
 用笔尖在凹槽处刮  
Use penpoint to press on the dent

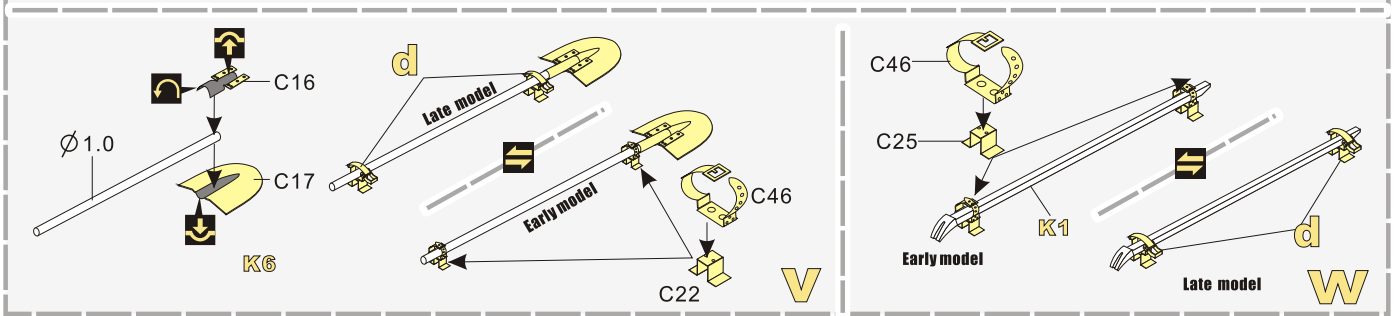
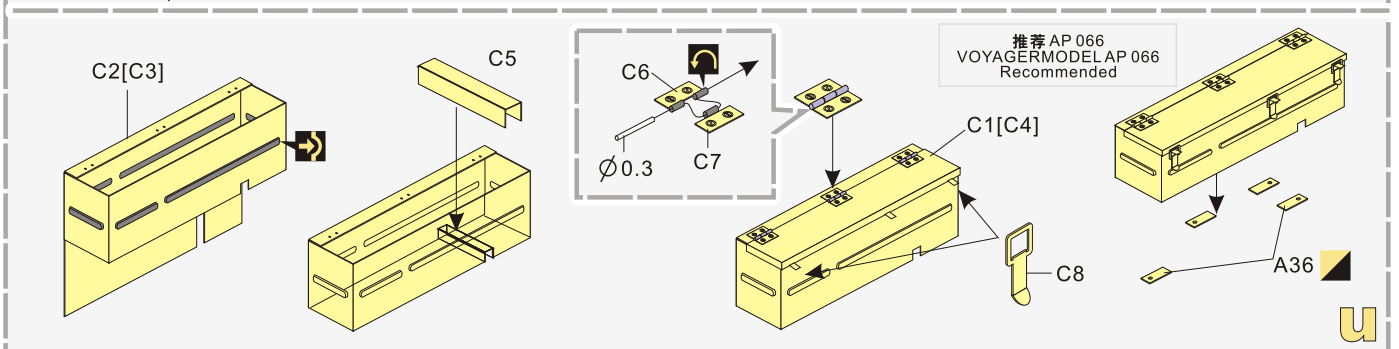
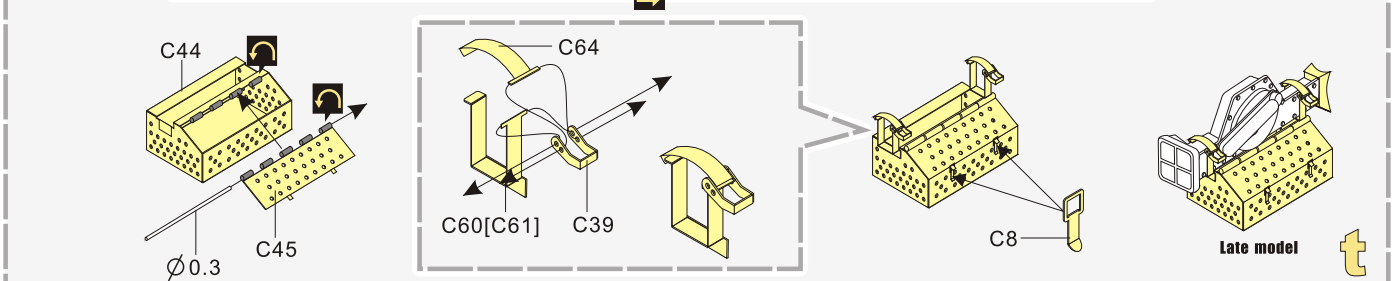
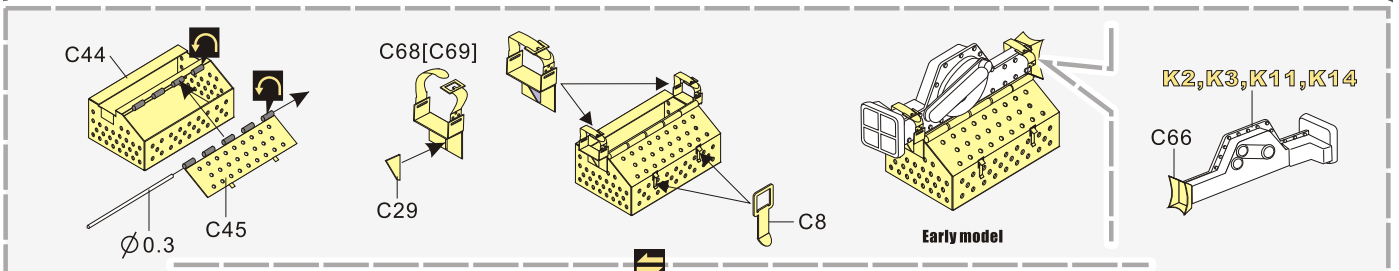
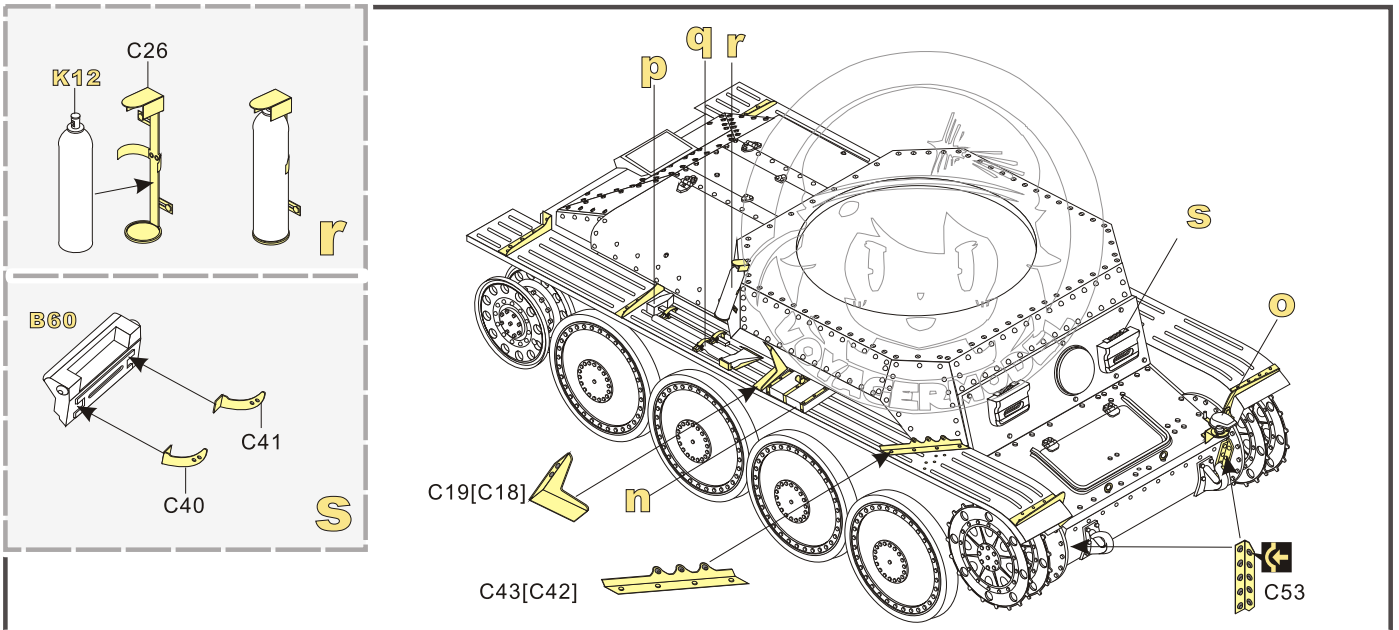
1/35 MILITARY MINIATURE VEHICLE UPGRADE SERIES PE35147



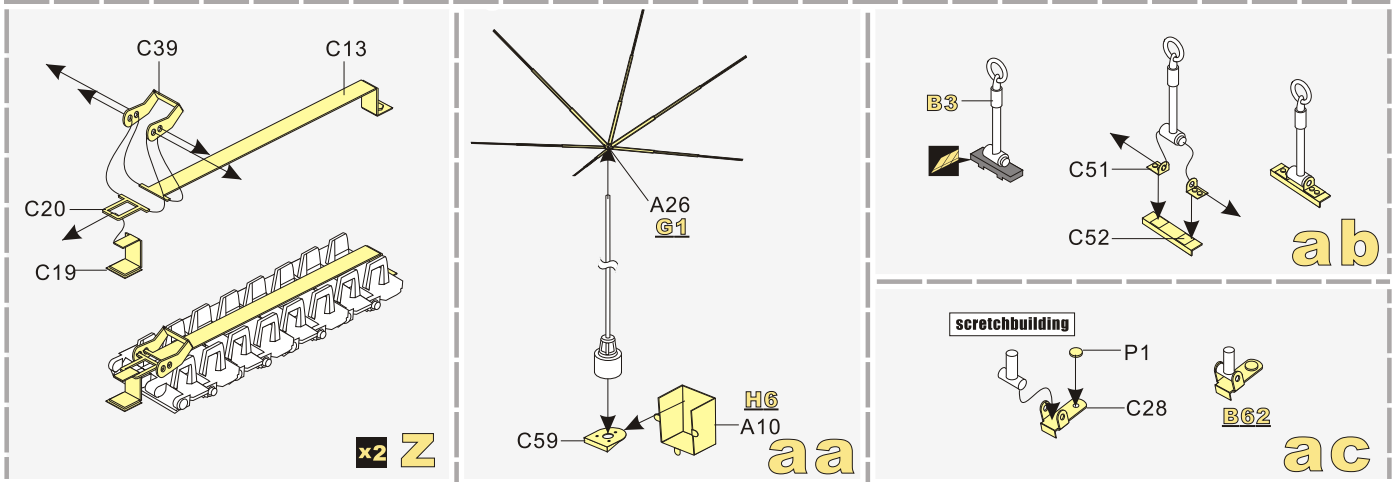
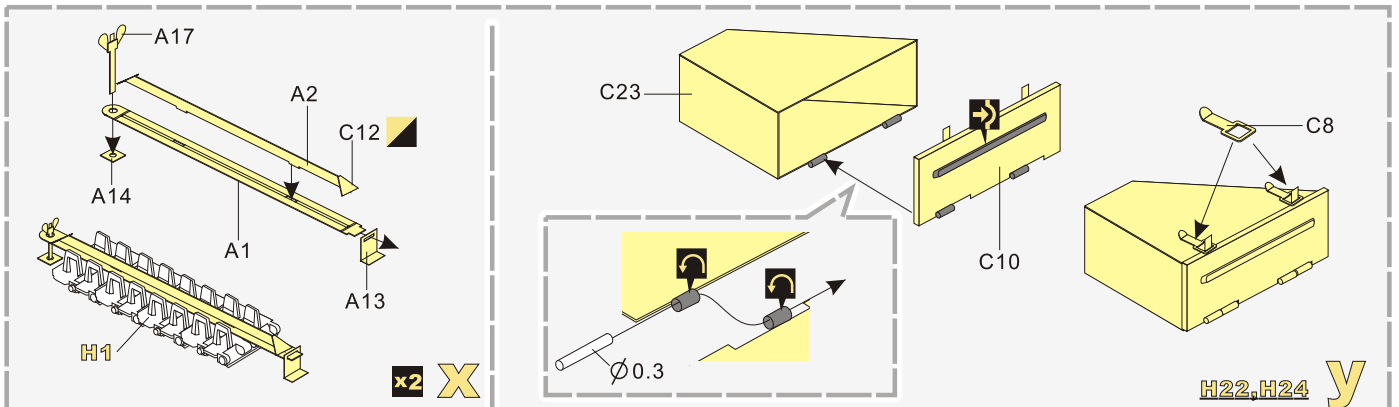
1/35 MILITARY MINIATURE VEHICLE UPGRADE SERIES PE35147



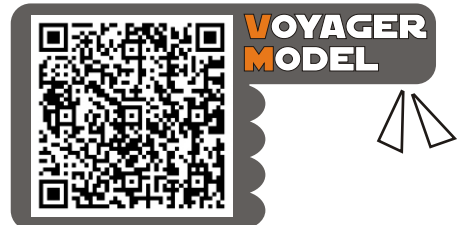
1/35 MILITARY MINIATURE VEHICLE UPGRADE SERIES PE35147



1/35 MILITARY MINIATURE VEHICLE UPGRADE SERIES PE35147



[Http://www.voyagermodel.com/productdetails.asp?itemid=PE35147](http://www.voyagermodel.com/productdetails.asp?itemid=PE35147)



更多PE35147样品照片参考请扫一扫  
MORE PICTUER OF PE 35147  
REFERENCE SCAN HERE

推荐 PE 35146  
VOYAGERMODEL PE 35146  
Recommended

