

# AeroMaster™

48-112 Me-262 Stürmbirds – Part 2



**AeroMaster Decals**

3615 NW 20th Avenue  
Miami, Florida 33142 USA  
(305) 635-3134 • Fax (305) 638-4197

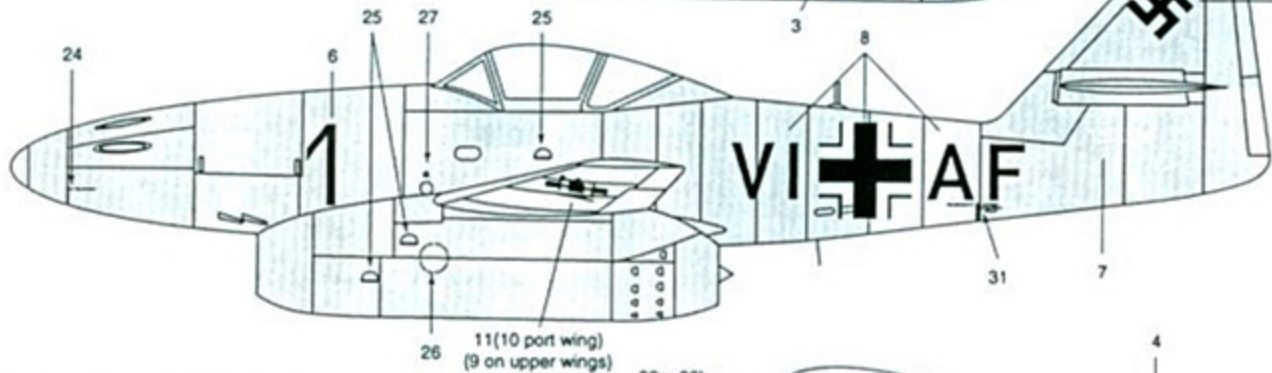
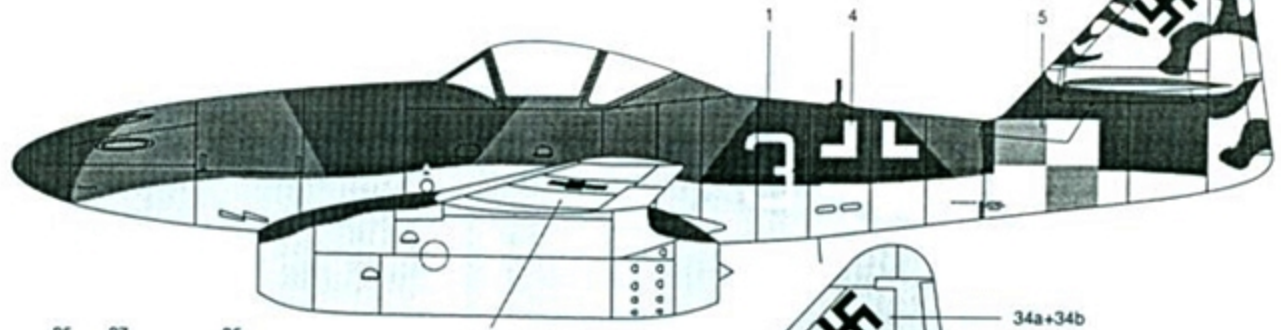
TM



3615 NW 20th Ave • Miami, Florida 33142 • USA  
Tel. (305) 635-3134 • Fax (305) 638-4197

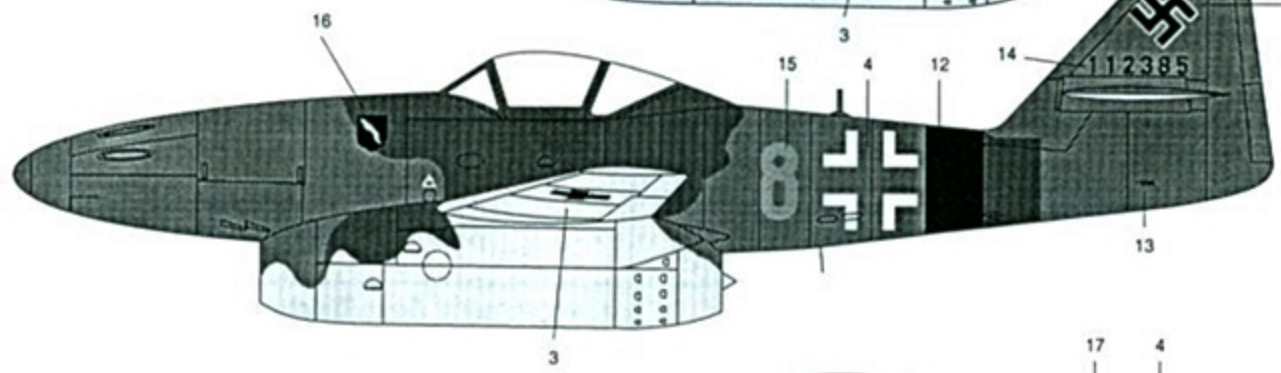
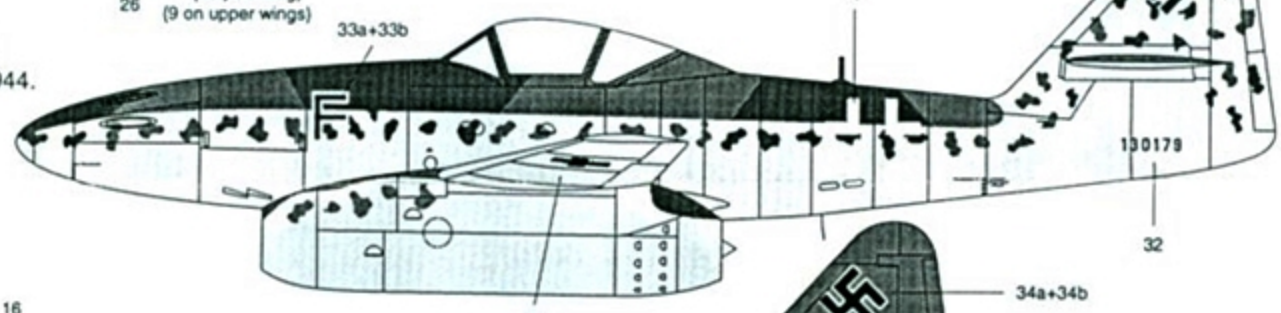
Note: Stencil placement is shown on A/C #2 only, but applies to all aircraft depicted.

Me 262A-1 of ISS1, 1945.  
RLM 81 and RLM 82 over  
RLM 76. Eventually absorbed  
by JV 44, this machine no  
doubt formerly flew with  
Kommando Novotny.



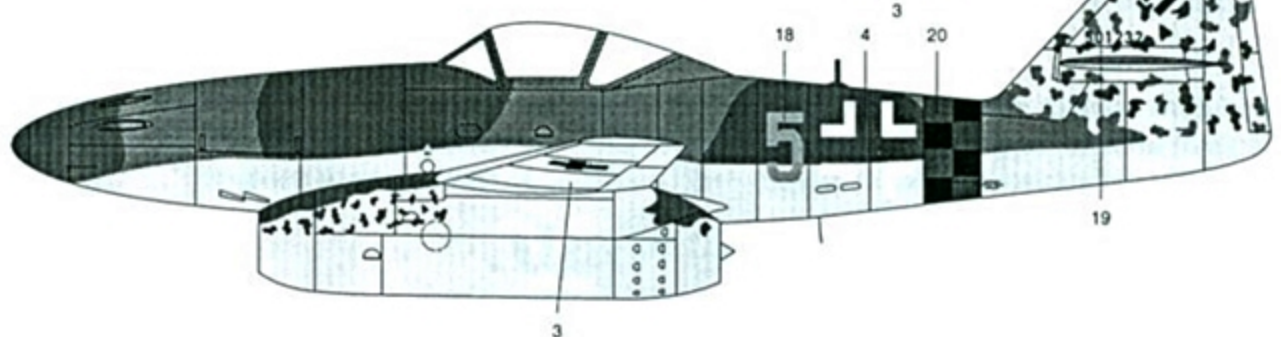
Me 262S-1, W.Nr. 130006,  
April 1944. Overall RLM 76  
Lightgrau. This machine  
eventually received RLM 75  
fuselage camouflage.

Me 262A-1a/Jabo, W.Nr. 130179  
of Kommando Schenk, summer 1944.  
Flown by Walter Schenk.  
Camouflage is of RLM 74 and  
RLM 75 over RLM 76.



Me 262A-1a, W.Nr. 112385  
of 3/JG 7, April 1945. This  
aircraft wears a non-standard  
application of RLM 81 and  
RLM 82 over RLM 76.

Me 262A-1a, flown by the  
commander of JV 44,  
April, 1945. Camouflage  
is RLM 81 and RLM 83  
Lichtgrün over RLM 76.



Me 262A-1a, W.Nr. 501232  
of Industrie Schutz  
Schwarm 1, May 1945.  
Camouflage is RLM 81 and  
RLM 82 over RLM 76.