

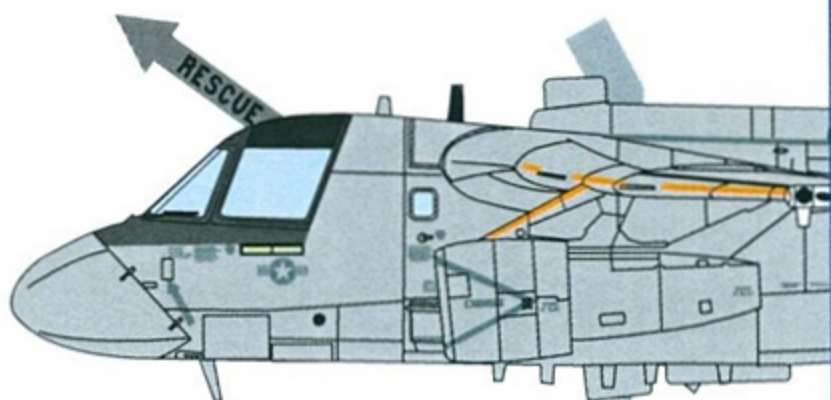
PRODUCTS

AeroMaster™

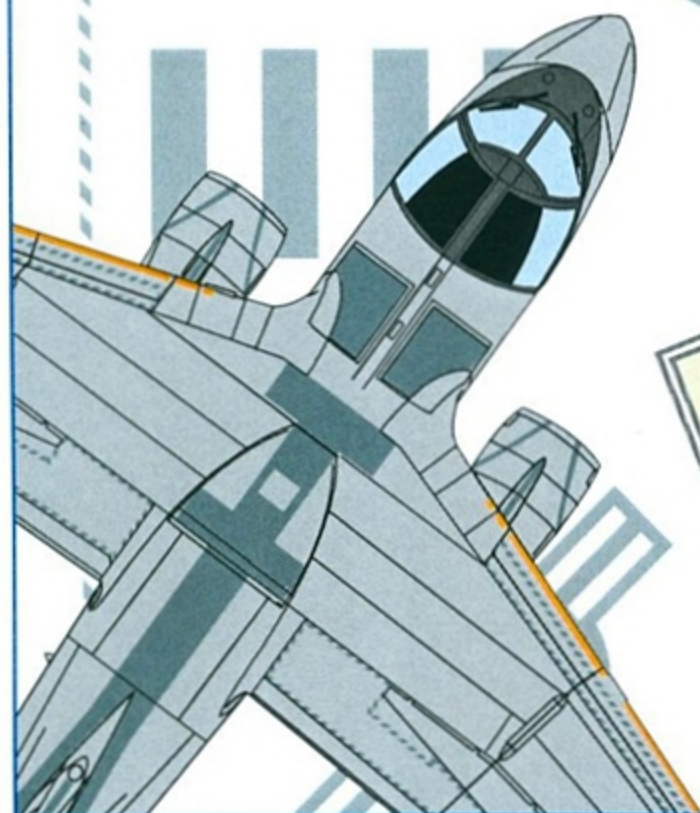


S-3B/ES-3A Lo Vis Stencil

BEFORE USE, READ THE INSTRUCTIONS
THAT ACCOMPANY THIS KIT.
BE VERY CAREFUL! THIS IS A PRODUCT OF
AMT/ESCI. (S-3B/ES-3A OR S-3A/S-3B)
**DANGER
ARRESTING HOOK**



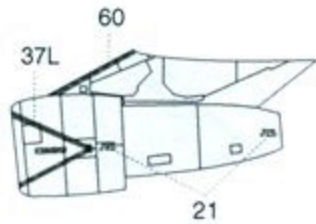
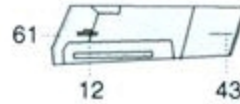
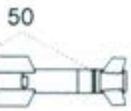
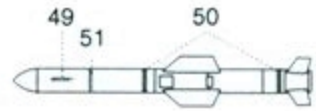
1. PUSH BUTTON TO OPEN DOOR
2. PULL T-HANDLE TO JETTISON CAN



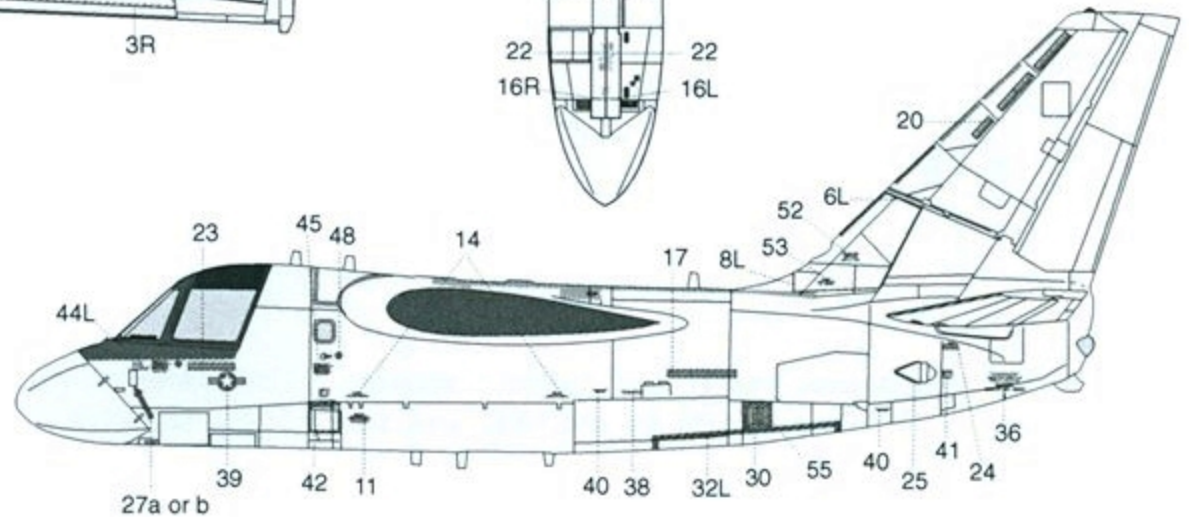
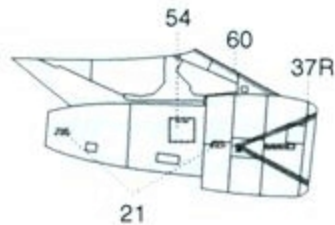
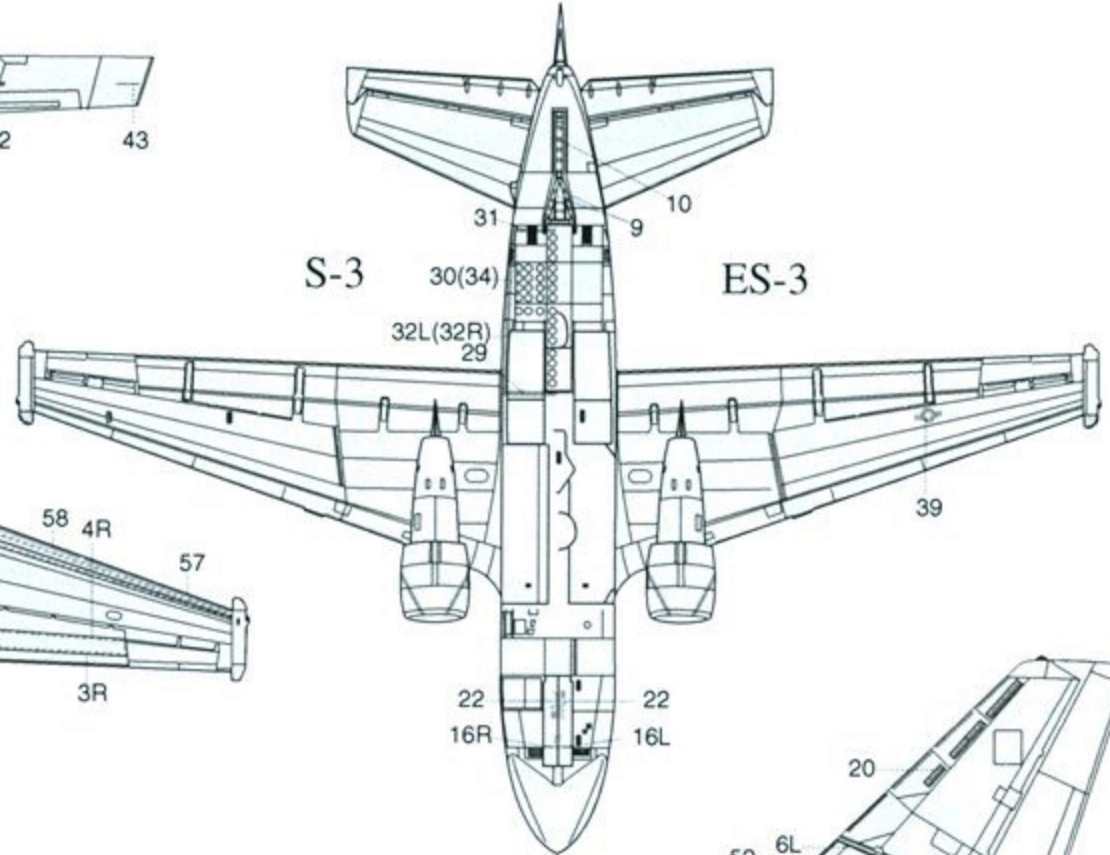
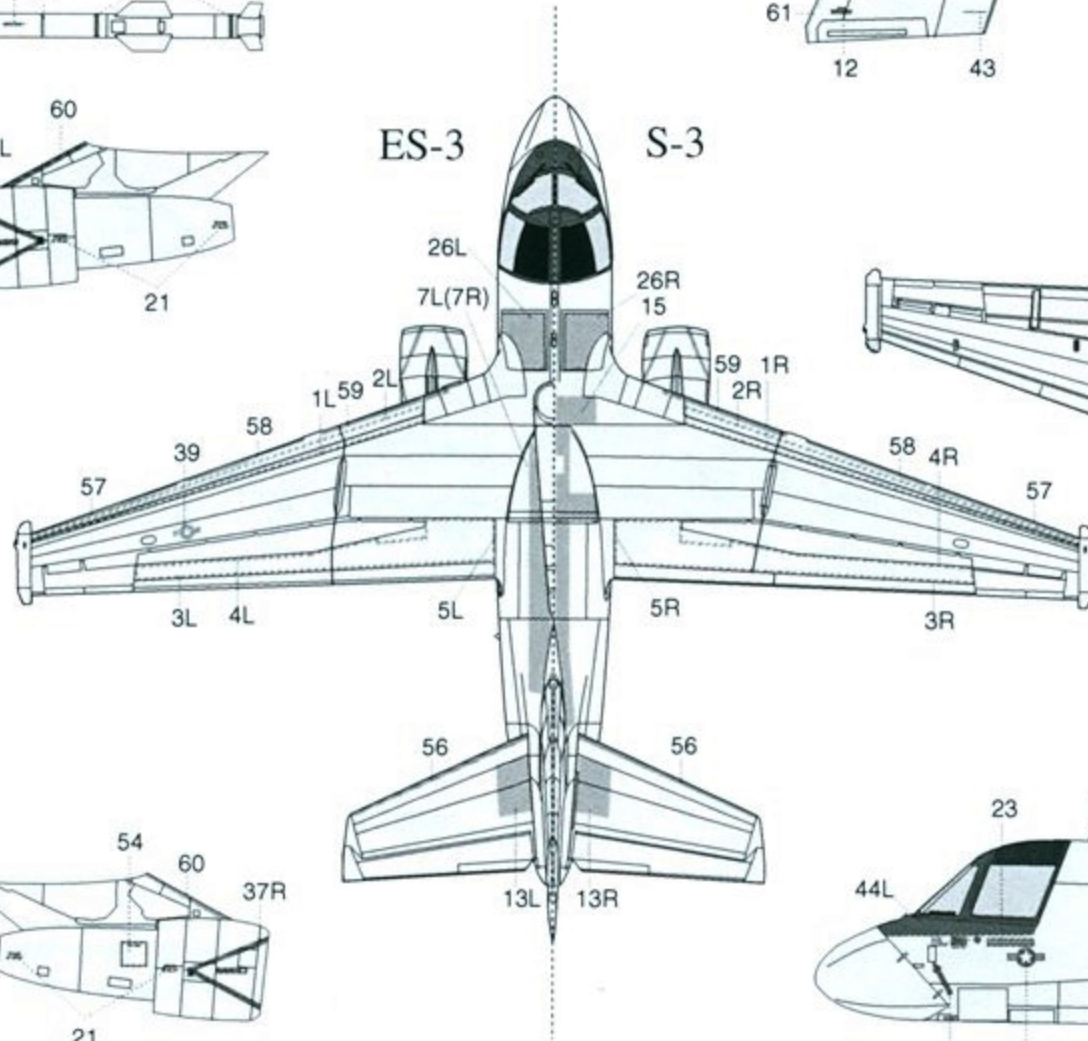
If there is an example of "Patience Pays", this is it.
Count them if you want,
but every little stencil is
here.

Happy modelling!!

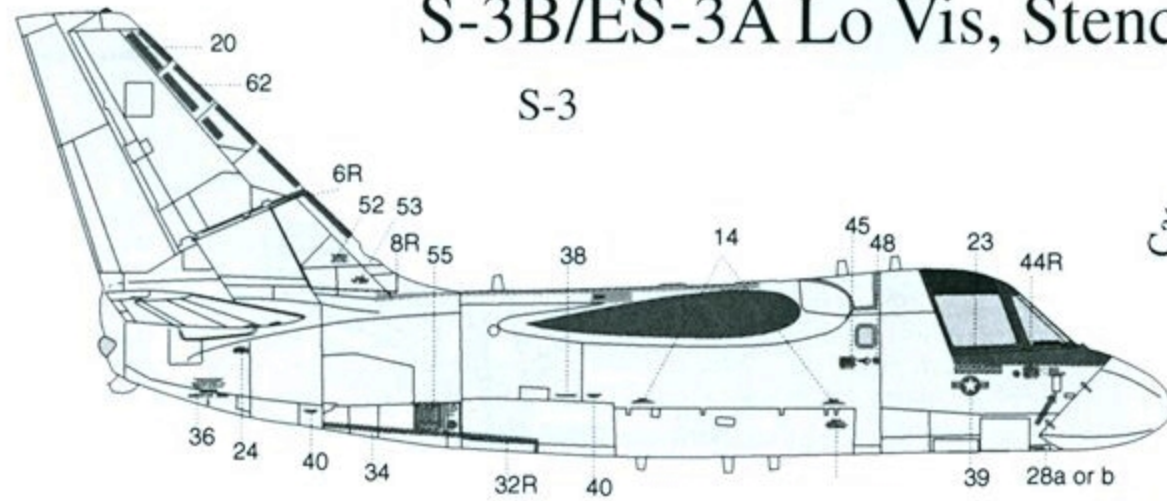
Suggested Kit: AMT/ESCI S-3 family.



ES-3 S-3



S-3B/ES-3A Lo Vis, Stencil Instructions

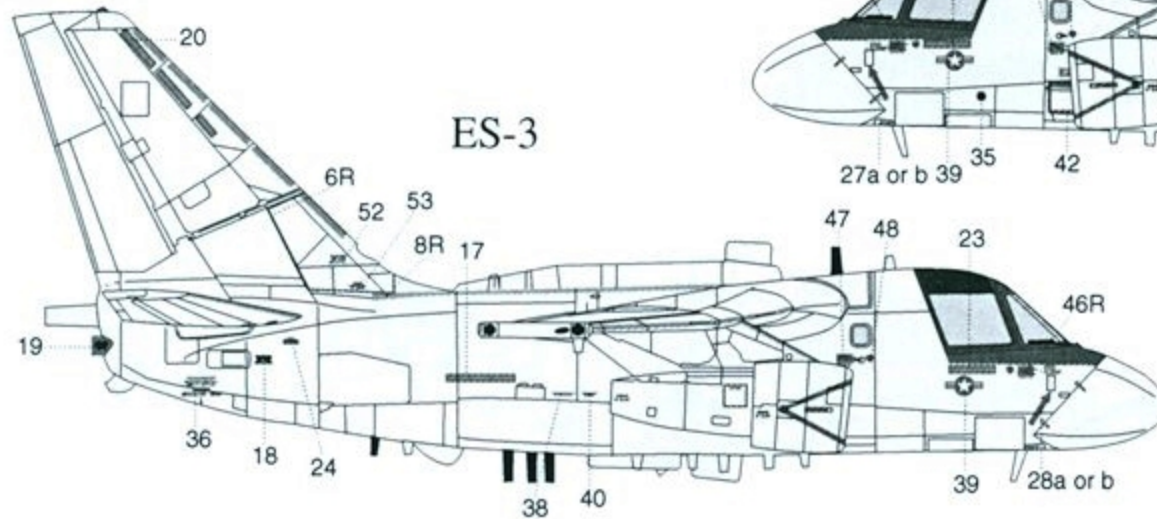
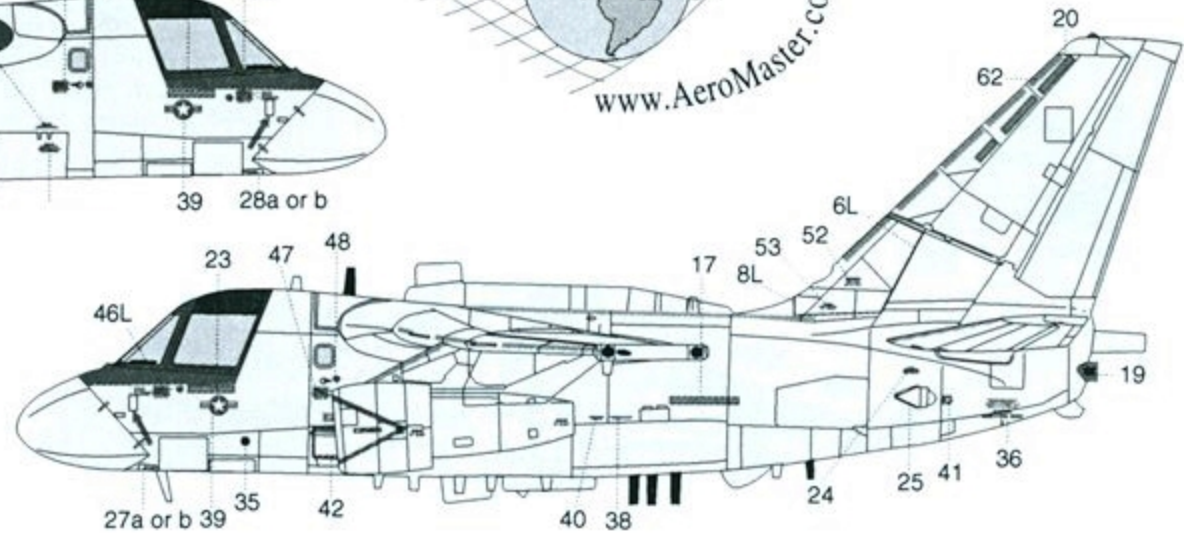


S-3

Catch us on the net!



www.AeroMaster.com



ES-3

Design and References:

1. Shuichi Manei, Japan.

Suggested 1:48 Scale Kits:

AMT/ESCI S-3 family.

Copyright © 2002

If you have suggestions for future subject matter, AeroMaster would like to hear from you. Our goal is to provide high quality, well researched decals of unusual and interesting subjects. We value our customers input, so if you have specific suggestions or photographs of unusual subject matter which you would be willing to share, please contact us. **148-031**