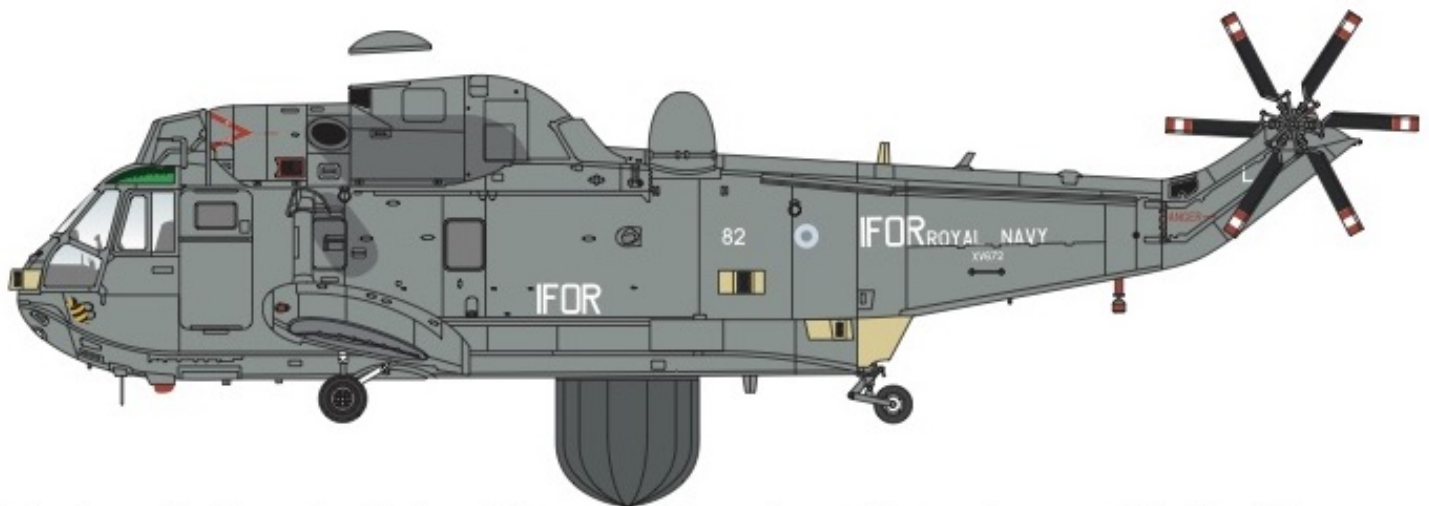


Westland Sea King Collection Pt1



For the best results these decals should be applied to a gloss surface such as provided by either Xtracolor or Xtracrylix paints. Cut out the decal required and soak in warm water until the decal is released from the backing paper. Wet the area to be decaled with MICRO SET which will help to eliminate air trapped under the decal and position the decal.

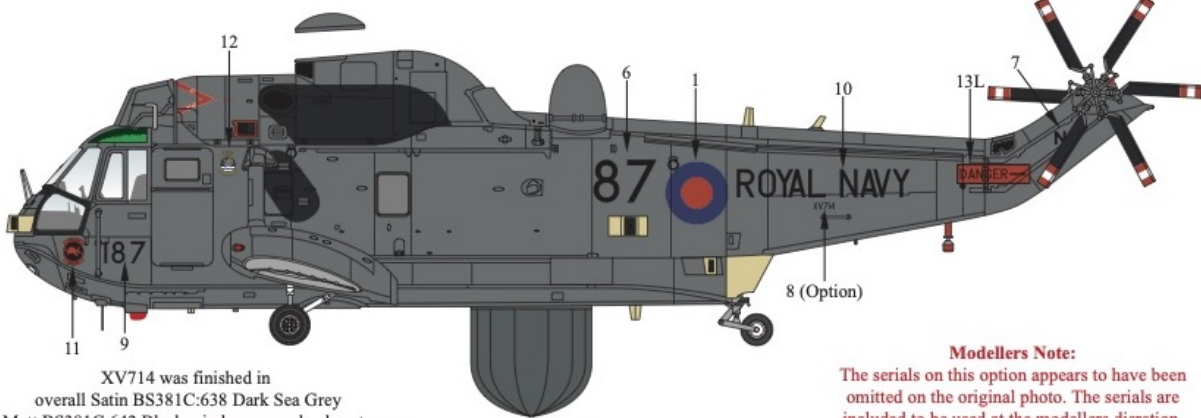
After 5 or 10 minutes wet the decal with MICRO SOL which will soften the decal and ensure that it settles down over any surface detail. Allow the decal to dry for at least 12 hours. During this time some wrinkling of the decal may occur, this is normal. Do not touch the decal at this time.

Carefully check for small air bubbles and if there are any prick with a needle and apply a drop of MICRO SOL. After all air bubbles have been eliminated and the decals are dry wash the entire model with water to remove any excess decal adhesive.

When completely dry the whole model should be sprayed with a coat of Xtracolor or Xtracrylix Flat, Satin or Gloss varnish depending on the finish required.

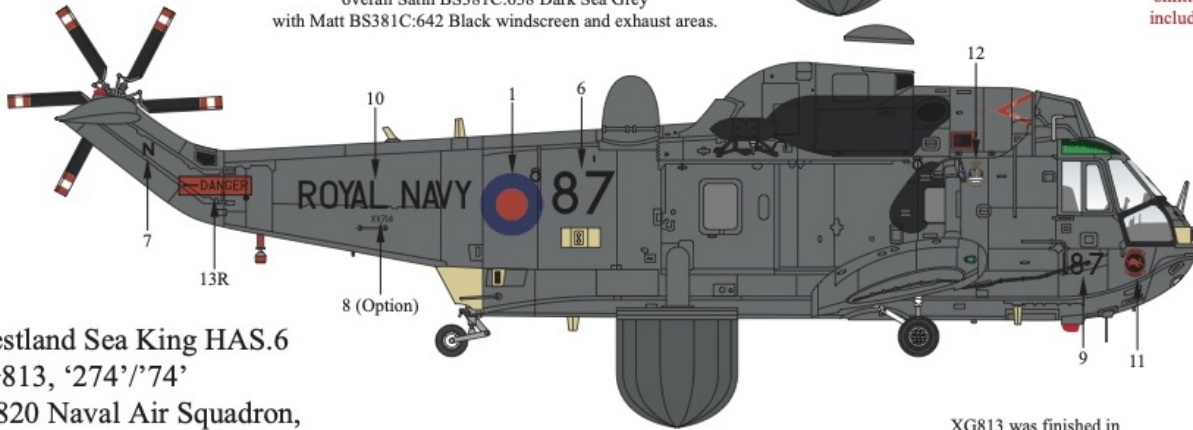
Store in a cool dry place, avoid sunlight, dampness or extremes of temperature and/or humidity.

Westland Sea King AEW.2
 XV714, '187'/'87'
 of 849 Naval Air Squadron,
 Royal Navy,
 based at RNAS Culdrose,
 1989.

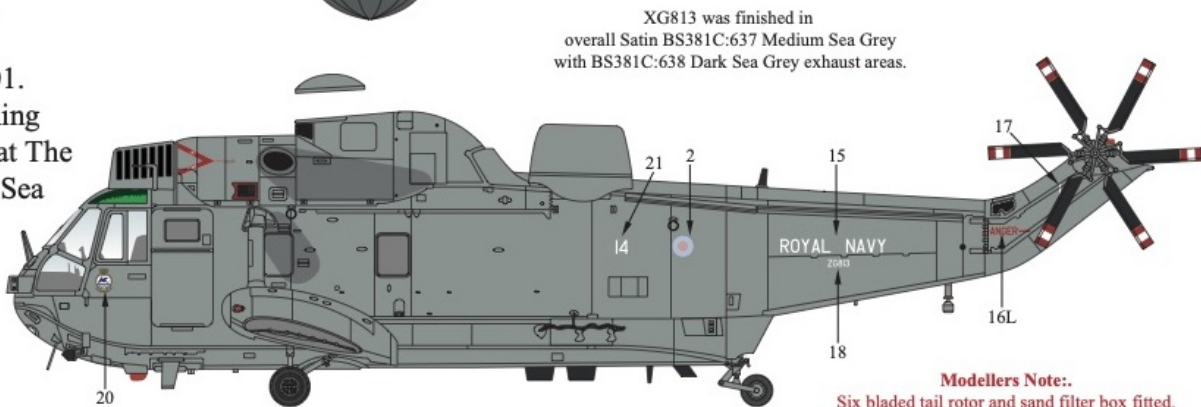


XV714 was finished in overall Satin BS381C:638 Dark Sea Grey with Matt BS381C:642 Black windscreen and exhaust areas.

Modellers Note:
 The serials on this option appears to have been omitted on the original photo. The serials are included to be used at the modellers discretion. Six bladed tail rotor fitted.

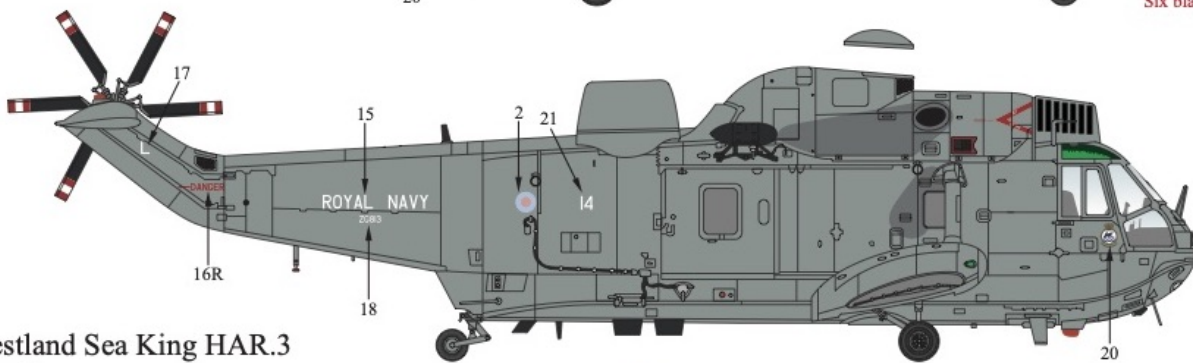


Westland Sea King HAS.6
 ZG813, '274'/'74'
 of 820 Naval Air Squadron,
 Royal Navy,
 aboard *HMS Illustrious*, 2001.
 The 820 NAS display Sea King
 for the 2001 season as seen at The
 International Festival of the Sea
 that year.

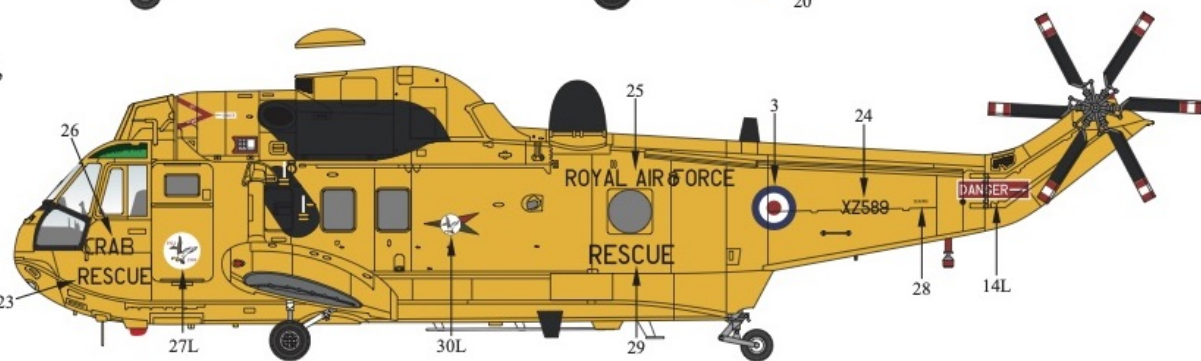


XG813 was finished in overall Satin BS381C:637 Medium Sea Grey with BS381C:638 Dark Sea Grey exhaust areas.

Modellers Note:
 Six bladed tail rotor and sand filter box fitted.

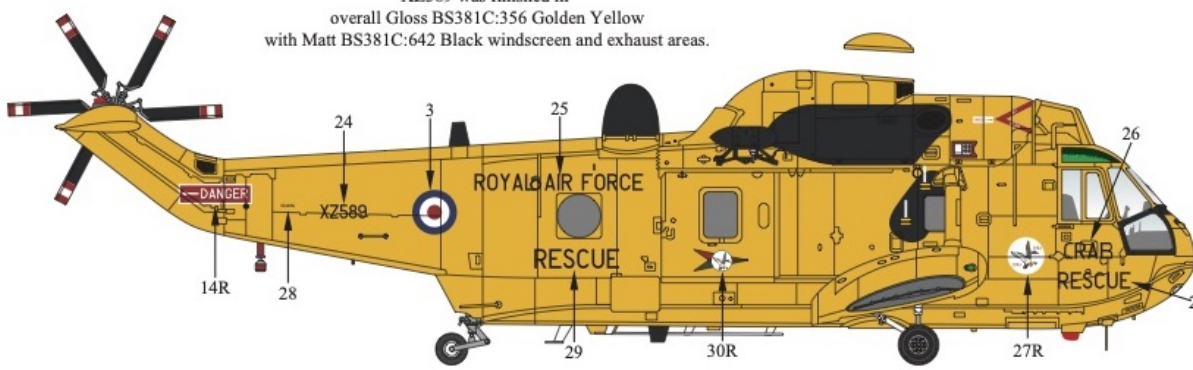


Westland Sea King HAR.3
 XZ589,
 of 'D Flight', 202 Squadron,
 Royal Air Force, based at
 RAF Lossiemouth,
 1994.

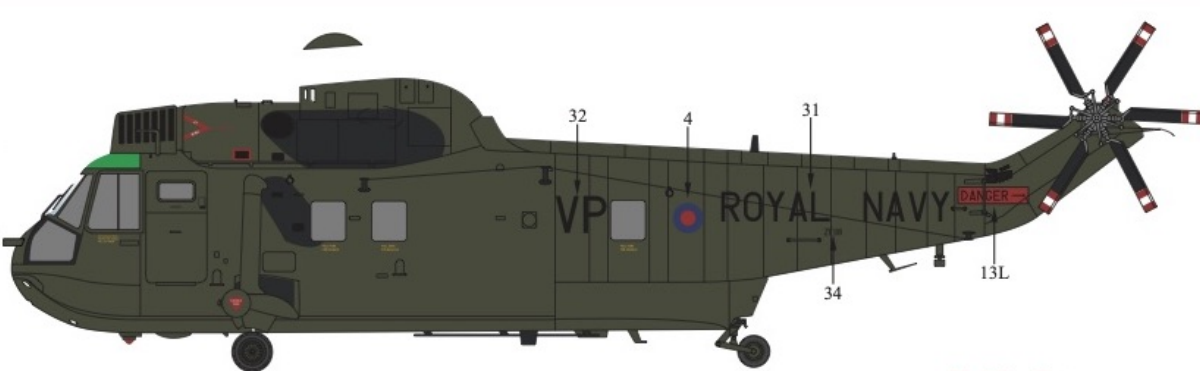


XZ589 was finished in overall Gloss BS381C:356 Golden Yellow with Matt BS381C:642 Black windscreen and exhaust areas.

Modellers Note:
 Six bladed tail rotor fitted.



Westland Commando HC.4
 ZA290, 'VP'
 of 846 Naval Air Squadron,
 Royal Navy,
 based at RNAS Yeovilton,
 2001.

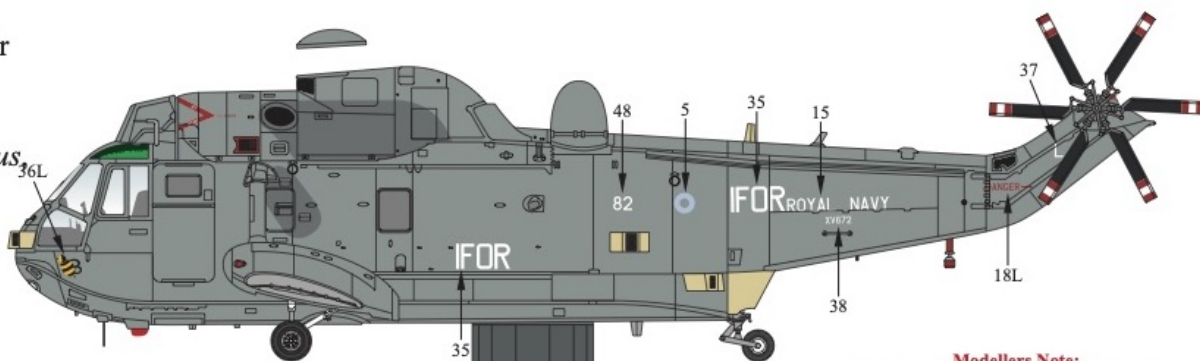


ZA290 was finished in
 overall Satin BS381C:298 Olive Drab
 with Matt BS381C:642 Black windscreen and exhaust areas.

Modellers Note:
 Six bladed tail rotor fitted.

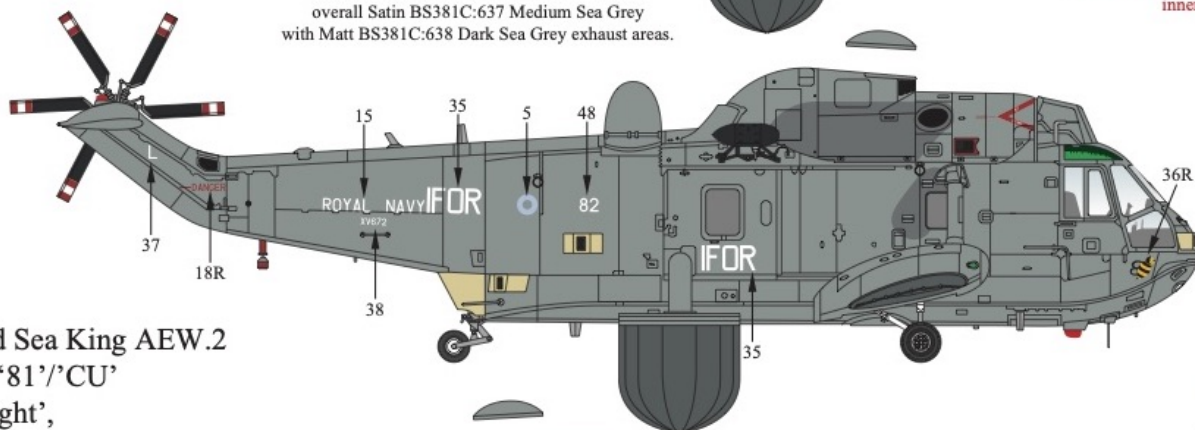


Westland Sea King AEW.2
 XV672, 'L'
 of 'B Flight', 849 Naval Air
 Squadron,
 Royal Navy,
 based aboard *HMS Illustrious*,
 1995.

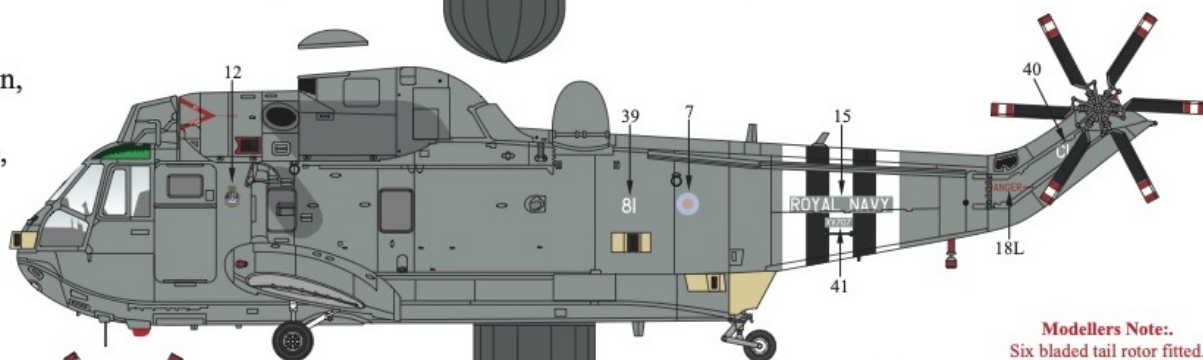


XV672 was finished in
 overall Satin BS381C:637 Medium Sea Grey
 with Matt BS381C:638 Dark Sea Grey exhaust areas.

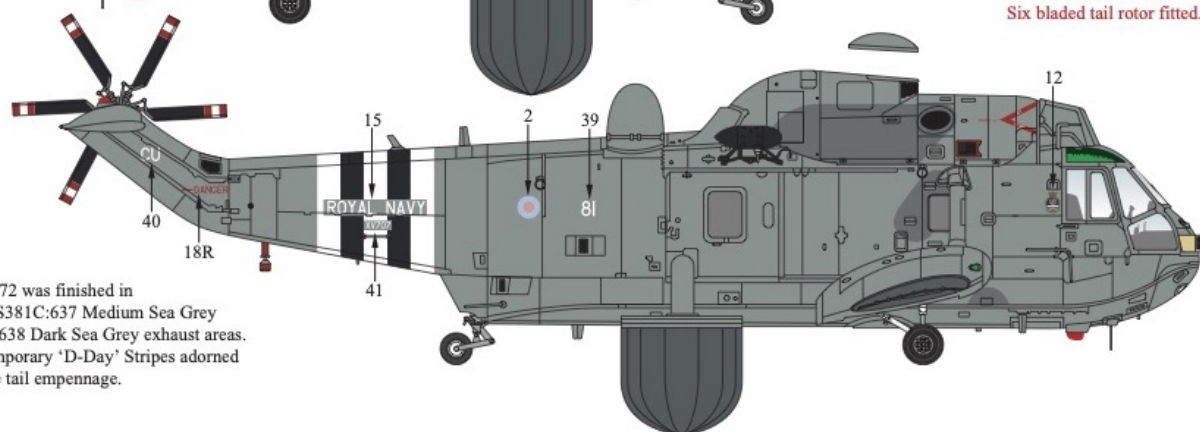
Modellers Note:
 Six bladed tail rotor fitted and roundels without
 inner Pale Roundel Red.



Westland Sea King AEW.2
 XV707, '81'/'CU'
 of 'A Flight',
 849 Naval Air Squadron,
 Royal Navy,
 based at RAF Culldrose,
 1994.

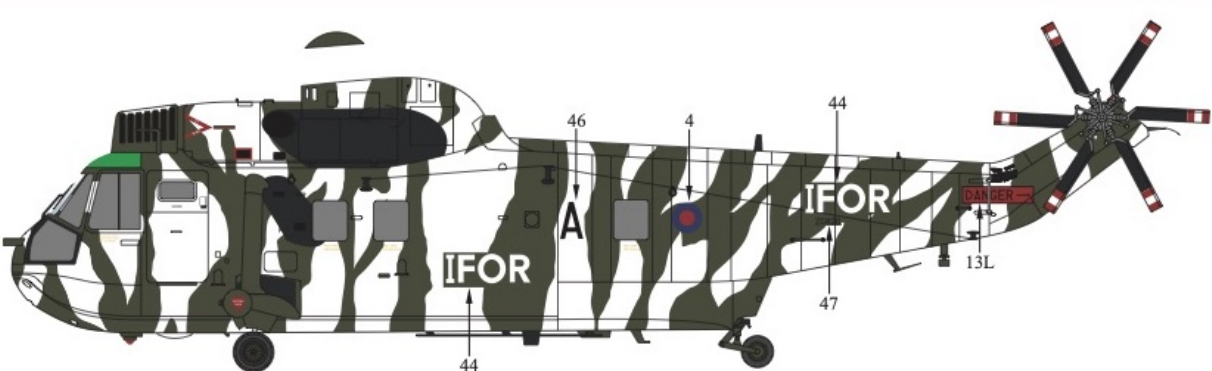


Modellers Note:
 Six bladed tail rotor fitted.



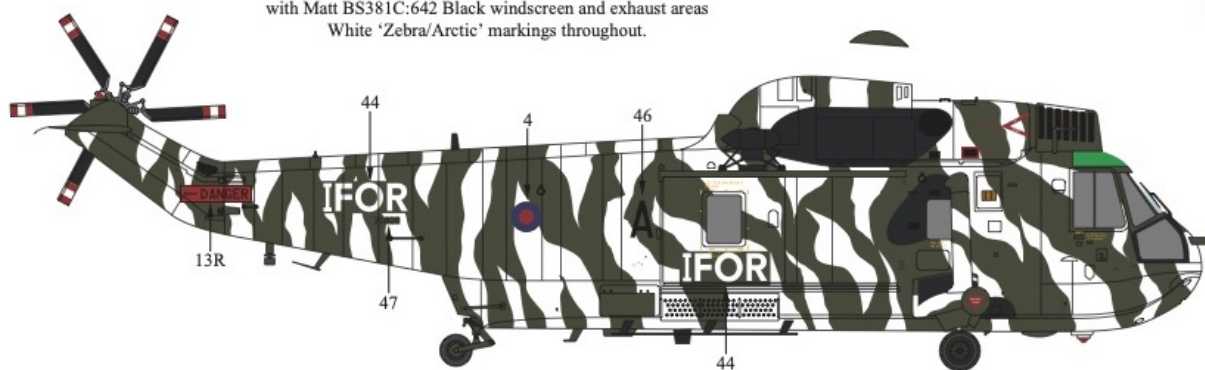
XV707 was finished in
 overall Satin BS381C:637 Medium Sea Grey
 with Matt BS381C:638 Dark Sea Grey exhaust areas.
 Black & White temporary 'D-Day' Stripes adorned
 the tail empennage.

Westland Commando HC.4
 ZG820, 'A'
 of 845 Naval Air Squadron,
 Royal Navy,
 serving as part of the
 peacekeeping duties,
 Banja Luca,
 Bosnia, 1994.



ZA290 was finished in
 overall Satin BS381C:298 Olive Drab
 with Matt BS381C:642 Black windscreen and exhaust areas
 White 'Zebra/Arctic' markings throughout.

Modellers Note:
 Six bladed tail rotor fitted.



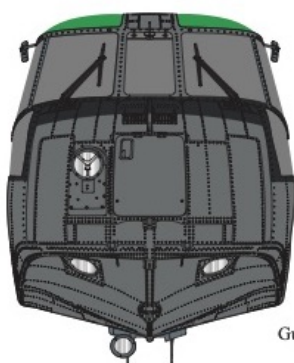
Westland Sea King AEW.2
 XV714, '187'/'87'.

Uppersurfaces of Main
 Rotor Blades

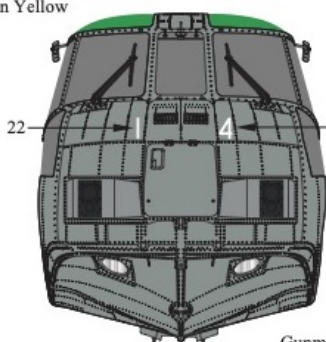
Westland Sea King HAS.6
 ZG813, '274'/'74'.

Lowersurfaces of Main
 Rotor Blades

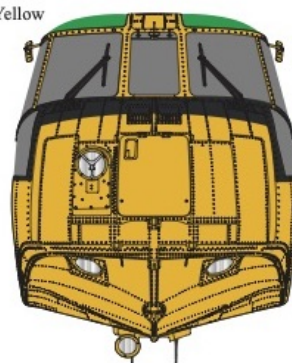
Westland Sea King HAR.3
 XZ589.



BS381C:356
 Golden Yellow



BS381C:356
 Golden Yellow



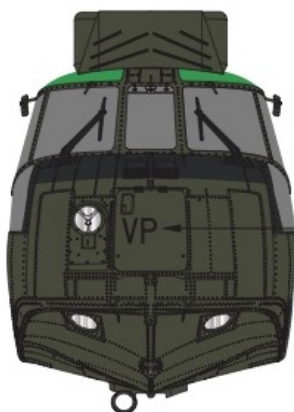
Westland Commando HC.4
 ZA290, 'VP'.

Gunmetal

Westland Sea King AEW.2
 XV672, 'L'.

Gunmetal

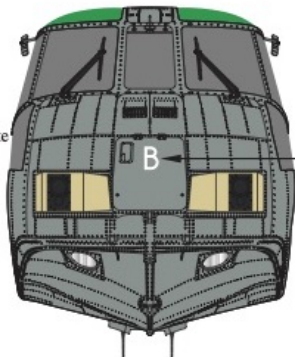
Westland Sea King AEW.2
 XV707, '81'/'CU'.



White

BS381C:638
 Dark Sea Grey

White

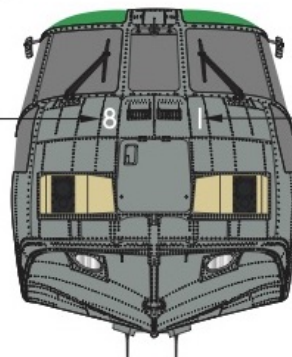


Westland Commando HC.4
 ZG820, 'A'.

Black

Light Grey

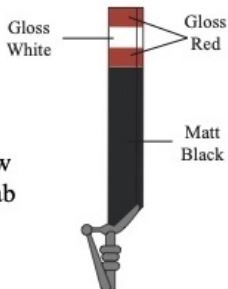
Black



Paints:

The colours used on these aircraft can be found in the
 Xtracolor (prefix number with X) and Xtracrylix
 (prefix number with XA1) range of paints.

Tail Rotor Blades



Xtracolor Paints

- X003 Medium Sea Grey
- X004 Dark Sea Grey
- X012 Night Black
- X019 RAF Rescue Yellow
- X028 RN Helo Olive Drab
- X141 White

Xtracolor Paints

- XA1003 Medium Sea Grey
- XA1004 Dark Sea Grey
- XA1012 Night Black
- XA1019 RAF Rescue Yellow
- XA1028 RN Helo Olive Drab
- XA1141 White