





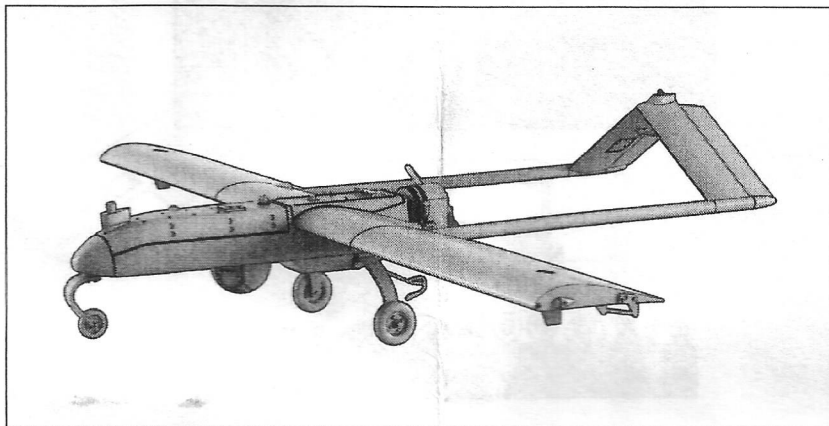


**MODEL ACCESSORIES BR572011**

 bend ohnout	 symmetrical assembly symetrická montáž	 remove odstranit	 optional volba	 replace nahradit	 reduce zbrousit
---	---	---	---	---	--



**RQ-7B Shadow** is an unmanned aerial vehicle (UAVs), which is operated by the U.S. ARMY, U.S. Marines and other users. The aircraft is manufactured by the AAI Corporation. The main task of the vehicle is scouting, tracking, target acquisition and battle damage assessment. The plane is launched from a pneumatic catapult and lands with the help of a hook and rope brake which makes it akin to aircraft operating from aircraft carriers.

It was built in number around 2000 and is the successor to the plane RQ-2 Pioneer of the same manufacturer. This aircraft is high wing, constant chord (3.89 m span), pusher engine, and two beams with an inverted v-tail elerudder. Powered with a rotary engine with a capacity of 38 horsepower. The first RQ-7A models were delivered in 2002, U.S. Army. In 2004 began production of the B version, which has a greater wingspan (4.3 m), an increased amount of fuel to allow for 6 hour flight and increased capacity. In 2010, again were made changes in the design of the airframe wing resulting an even greater span (6.1 m). From this version also were introduced underwing pylons to carry weapon load for the first time. Due to the limited capacity of the aircraft it is necessary to develop a new type of weapon specifically for this aircraft like one based on 10 lb 81mm mortar bomb. Every new version usually receives a new equipment, software and engine.

RQ-7 has been used in combat operations in Iraq and Afghanistan. Aircraft made a total of 37,000 missions. In 2007, the USMC squadrons VMU-1 and -2 replaced the RQ-2 with Shadows. Also were activated a new squadrons: VMU-3 and -4. RQ-7 unmanned aircraft is the only UAV that has got the FAA certification allowing for the use of civilian airports.



bend  
ohnout



symmetrical assembly  
symetrická montáž



remove  
odstranit



optional  
volba



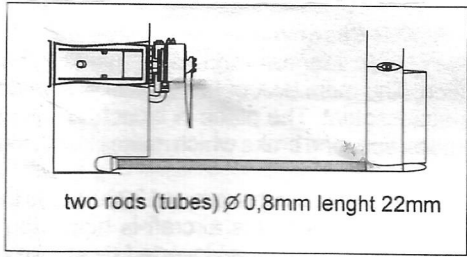
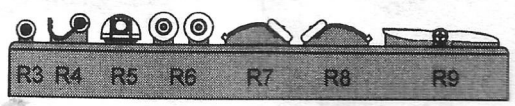
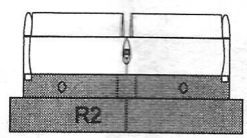
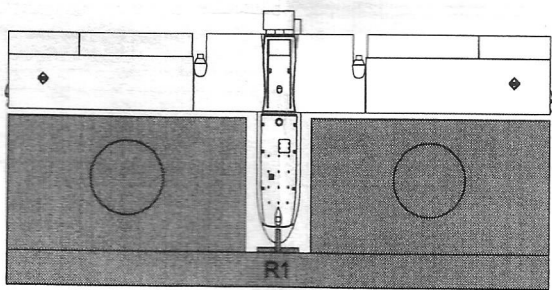
replace  
nahradit



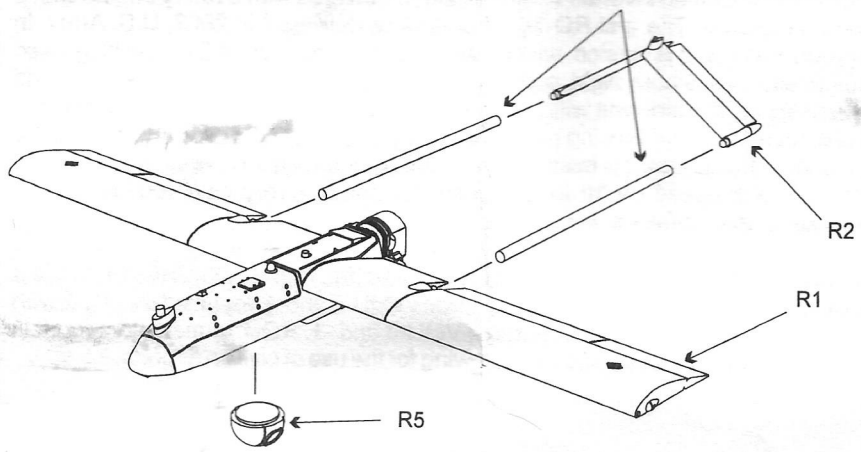
reduce  
zbrousit

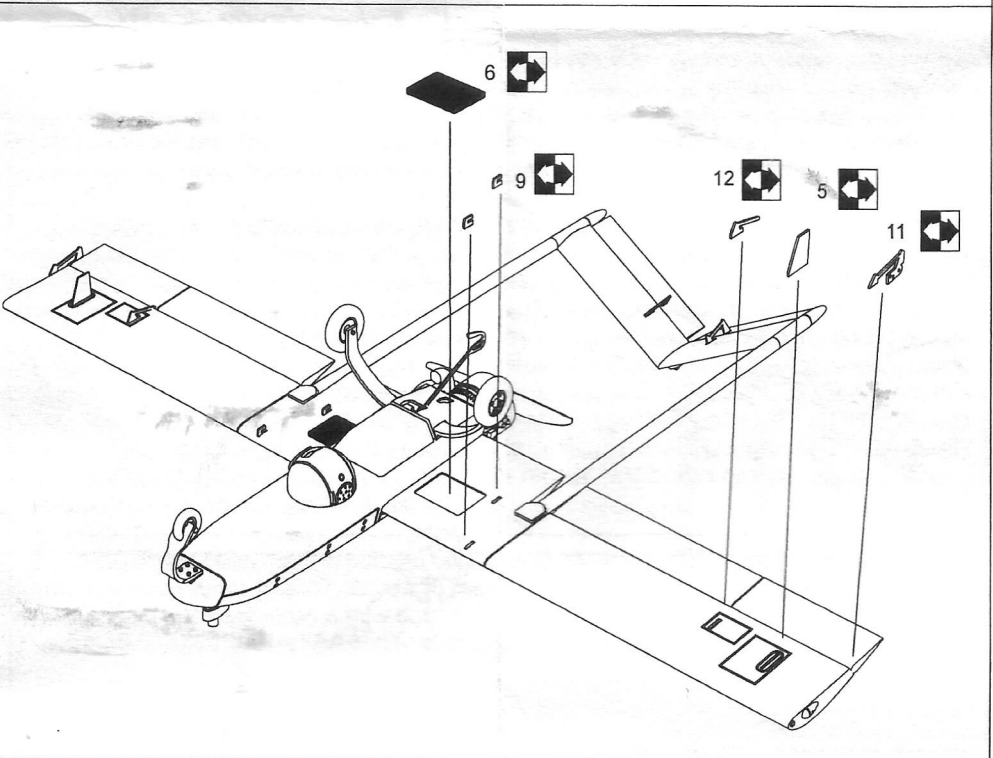
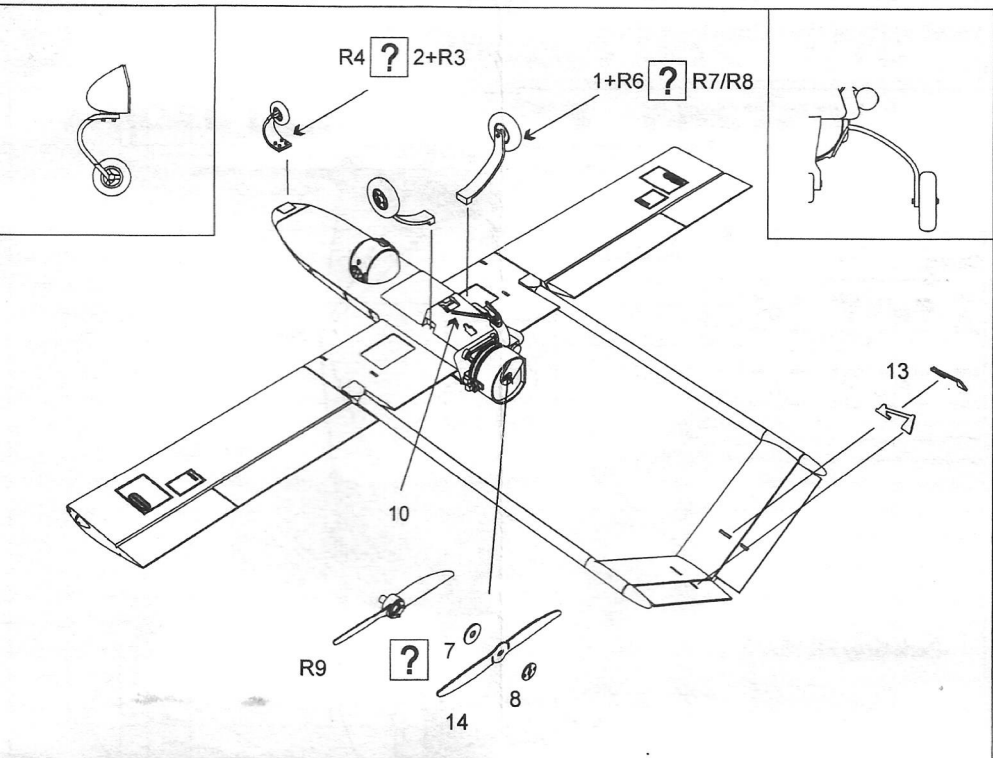


drill  
vrtat

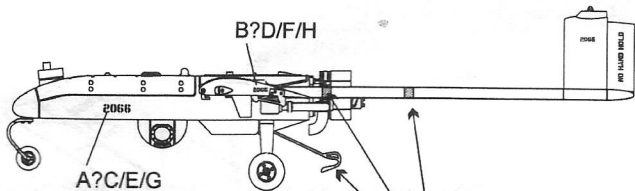


two rods (tubes)  $\varnothing 0,8\text{mm}$  lenght 22mm





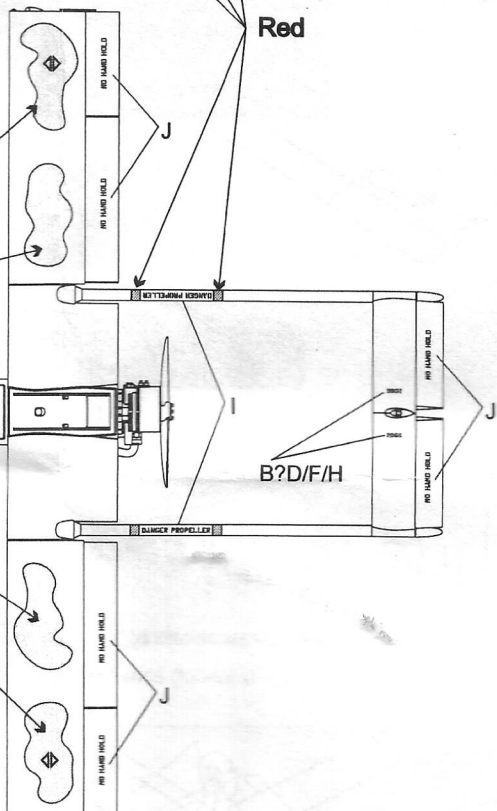
# Overall - Ghost Gull Grey FS 36375



## Decals

2066	2066	2066	2329	2329	2329
A	B	C	D		
2066	2066	2066	2329	2329	2329
2429	2429	2429	2325	2325	2325
E	F	G	H		
2429	2429	2429	2325	2325	2325
DANGER PROPELLER   NO HAND HOLD   NO HAND HOLD   NO HAND HOLD   NO HAND HOLD					
DANGER PROPELLER   NO HAND HOLD   NO HAND HOLD   NO HAND HOLD   NO HAND HOLD					
I	J				

Red



-Dark Grey FS 35270

