



Chevy[®] SSR[™]

Americans love to have their own individual identity whether we're speaking of clothing, hairstyles or anything else. Those folks will likely love the new Chevrolet[®] SSR[™]. The SSR, which officially stands for Super Sport Roadster, refuses to be categorized into any existing niche. The finished product is a pleasing combination of different flavors and shapes, unlike anything previously released by Chevrolet or anyone else, for that matter.

With seating capacity for two, it's a personal sort of vehicle, but has an abundance of room for your other stuff, unlike "personal" vehicles. The front end styling, with its round headlamps and horizontal grill bars, certainly recalls Chevrolet's trucks of the late 1940's and early 1950's, but it's not a truck.

What is it? A whole lot of fun. Based on the compact SUV chassis, the similarity with SUVs stops there. Under

the hood you'll find an all-aluminum 5.3 liter V8 engine matched to a four speed automatic, providing an exhaust note that'll put a smile on your face. Developing 300 horsepower, the Generation III motor propels the SSR to 60 mph in just seven seconds. Huge wheels and tires-19" in the front, 20" in back-fill the wheel wells and add to the aggressive look.

But the most fun is the roof. All steel in construction and hinged in the middle, pressing one button starts the motors that folds the top up and places it in the rear compartment, the cover of which by now has lifted up by way of its own hinges and electric motors. It couldn't be cooler and the whole process takes only twenty seconds.

As John Cleese of the Monty Python comedy troupe would say, "...and now for something completely different". We think that's exactly what Chevy[®] had in mind.



* REPEAT SEVERAL TIMES
* A REPETER PLUSIEURS FOIS



* OPTIONAL PARTS
* PIECES EN OPTION



* DECAL
* DECAL COMANIE



* ALTERNATIVE ASSEMBLY
* ENSEMBLAGE ALTERNATIVE



* CEMENT TOGETHER
* A COLLER



* REMOVE AND THROW AWAY
* A RETIRER ET JETER



* DO NOT CEMENT
* NE PAS COLLER

READ THIS BEFORE YOU BEGIN

- * Study the assembly drawings.
- * Each plastic part is identified by a number.
- * In the assembly drawings, some parts will be marked by a star (★) to indicate chrome plated plastic.
- * For better paint and decal adhesion, wash the plastic parts in a mild detergent solution. Rinse and let air dry.
- * Check the fit of each piece before cementing in place.
- * Use only cement for polystyrene plastic.
- * Scrape plating and paint from areas to be cemented.
- * Allow paint to dry thoroughly before handling parts.
- * Any unused parts may be discarded.

DECAL APPLICATION INSTRUCTIONS

1. Cut desired decal from sheet.
2. Dip decal in water for a few seconds.
3. Place wet decal on paper towel.
4. Wait until decal is movable on paper backing.
5. Place decal in position on model, face up and slide backing away.
6. Press out air bubbles with a soft damp cloth.
7. Milkiness that may appear is for better decal adhesion and will dry clear. Wipe away any excess adhesive.
8. Do not touch decal until fully dry.
9. Allow the decals 48 hours to dry before applying clear coat.

NOTE: Decals are compatible with setting solutions or solvents.

LIRE CE QUI SUIV AVANT DE COMMENCER

- * Etudier les schémas de montage.
- * Chaque pièce en plastique est identifiée par un numéro.
- * Sur les schémas de montage, certaines pièces sont marquées d'une étoile (★) pour indiquer qu'elles sont en plastique chromé.
- * Pour une meilleure prise de la peinture et des autocollants, laver les pièces en plastique avec une solution détergente peu concentrée. Les rincer et les laisser sécher à l'air.
- * Vérifier que chaque pièce s'ajuste bien avant de la coller en place.
- * N'utiliser que de la colle pour polystyrène.
- * Gratte les parties à coller pour enlever le chrome et la peinture.
- * Laisser la peinture bien sécher avant de manipuler les pièces.
- * Toute pièce inutilisée peut être jetée.

DIRECTIVES D'APPLICATION DES AUTOCOLLANTS

1. Découper l'autocollant désiré de la feuille.
2. Tremper l'autocollant dans de l'eau pendant quelques secondes.
3. Placer l'autocollant mouillé sur une serviette en papier.
4. Attendez que l'autocollant puisse être déplacé sur son support en papier.
5. Mettre l'autocollant en position sur le modèle face sur le dessus et faire glisser le support pour l'enlever.
6. Appuyer avec un chiffon doux humide pour éliminer les bulles d'air.
7. La substance laiteuse qui peut apparaître est destinée à améliorer l'adhésion de l'autocollant et devient incolore au séchage. Essuyer pour enlever tout excédent d'adhésif.
8. Ne pas toucher l'autocollant tant qu'il n'est pas bien sec.
9. Laisser l'autocollant sécher pendant 48 heures avant d'appliquer une couche transparente.

REMARQUE: Les autocollants sont compatibles avec les solutions de fixation ou les solvants.

This optional paint guide is provided if you choose to detail paint your model.

Ce guide de peintures vous sera fourni si vous choisissez de peindre votre modèle en détail.

Aluminum	<i>Aluminium</i>
Flat Black	<i>Noir mat</i>
Gloss Red	<i>Rouge lustré</i>
Semigloss Black	<i>Noir satiné</i>
Steel	<i>Acier</i>
Transparent Red	<i>Rouge transparent</i>
Transparent Orange	<i>Orange transparent</i>

If you have any questions or comments, call our hotline at: **(800) 833-3570**
or, please write to:

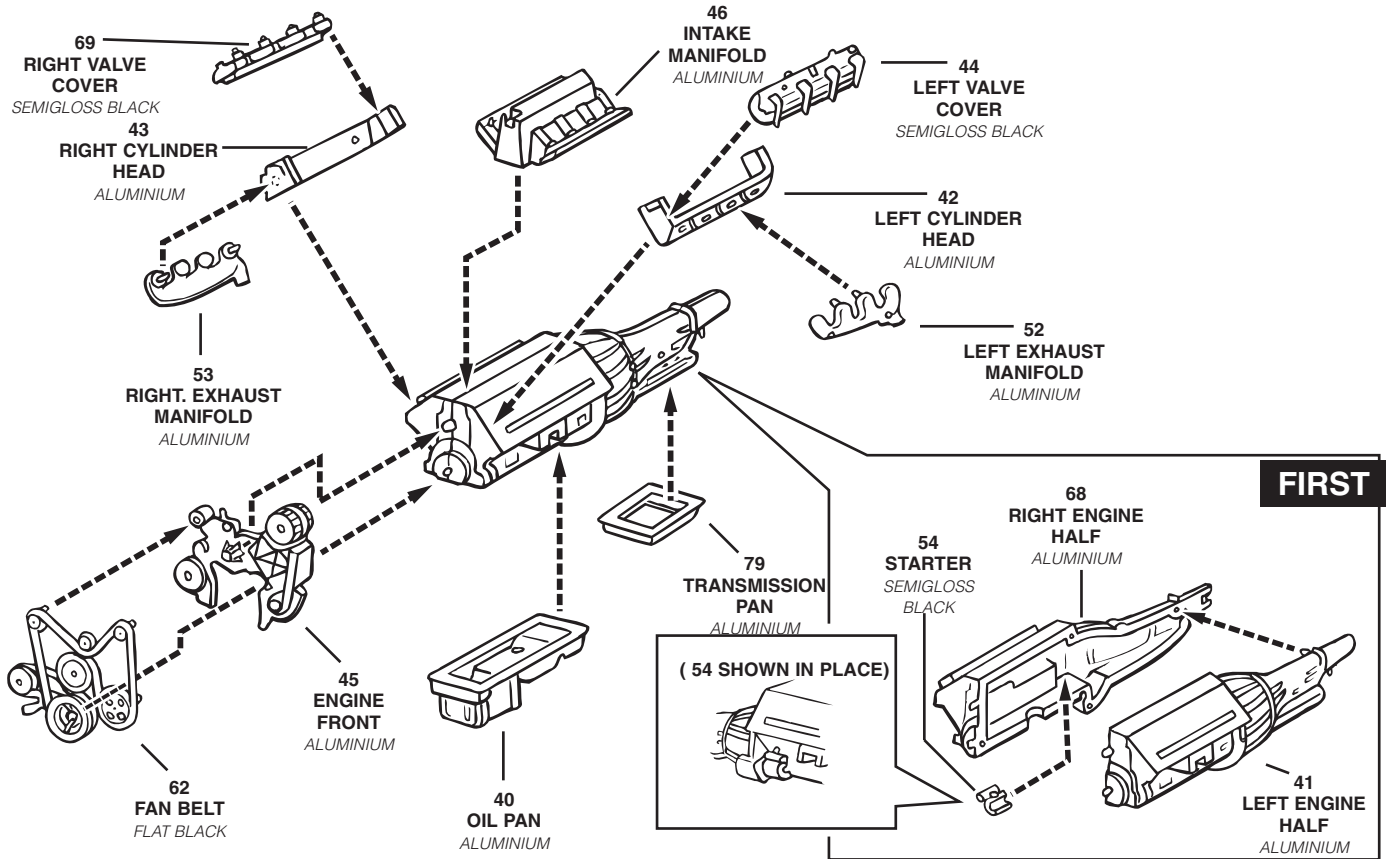
Revell-Monogram Consumer Service Department, 725 Landwehr Road, Northbrook, Illinois 60062

Be sure to include the plan number (85769100200), part number, description, your return address and phone number.

Visit our website: www.revell-monogram.com

1

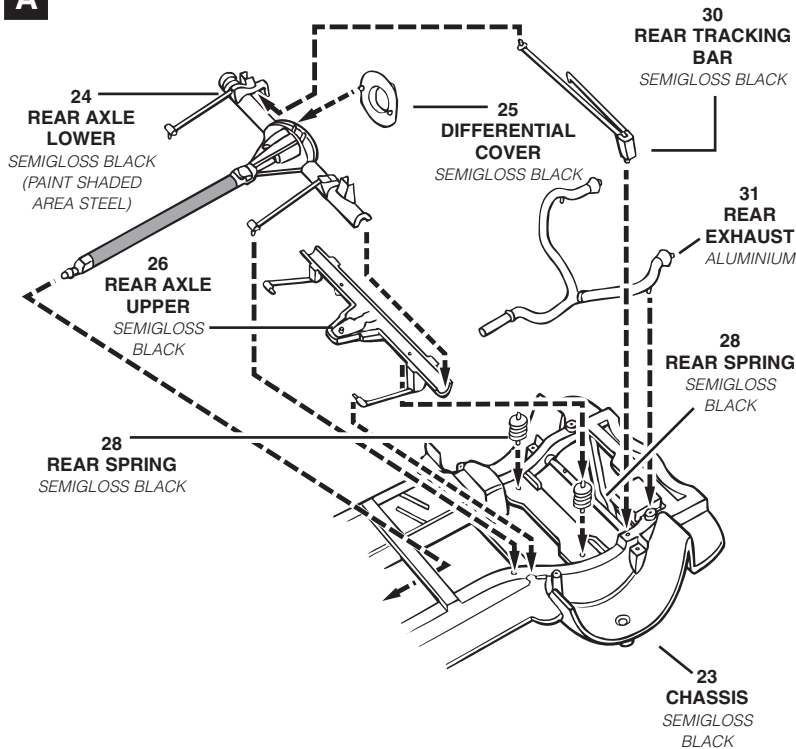
ENGINE ASSEMBLY



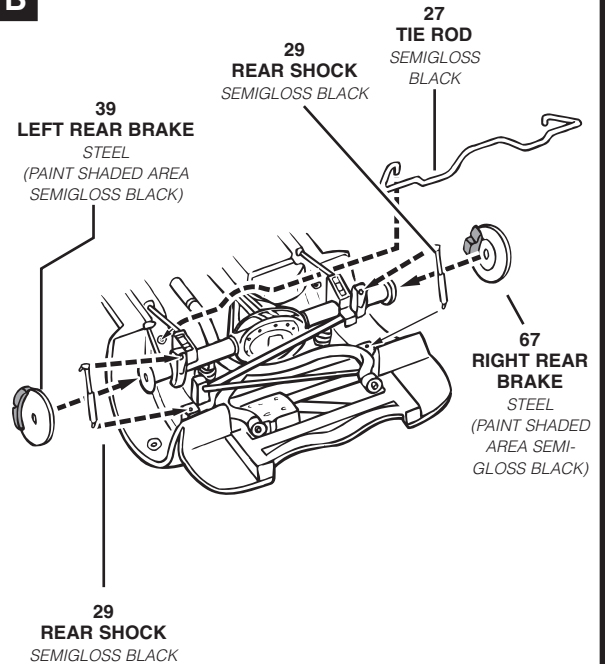
2

REAR SUSPENSION ASSEMBLY

A

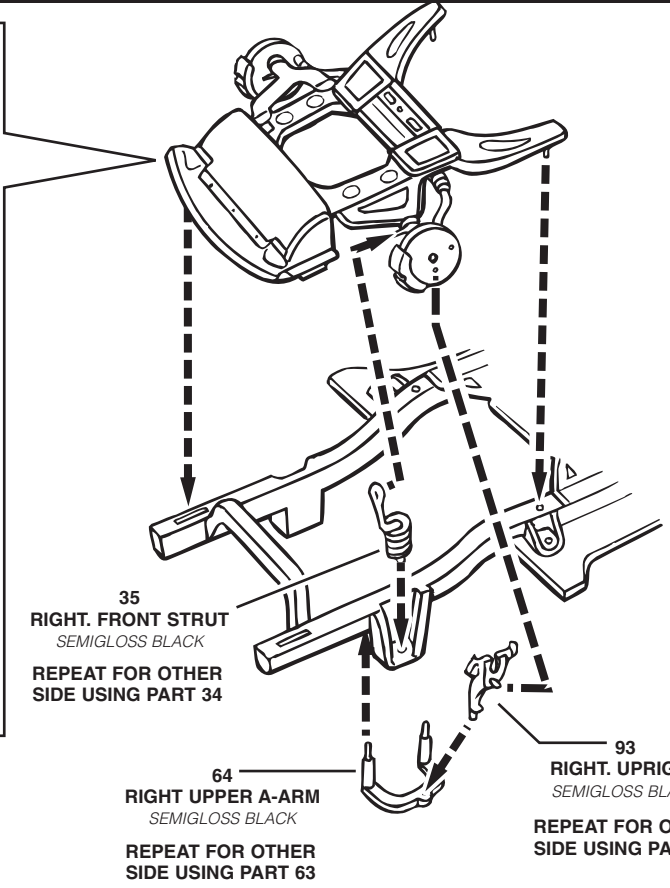
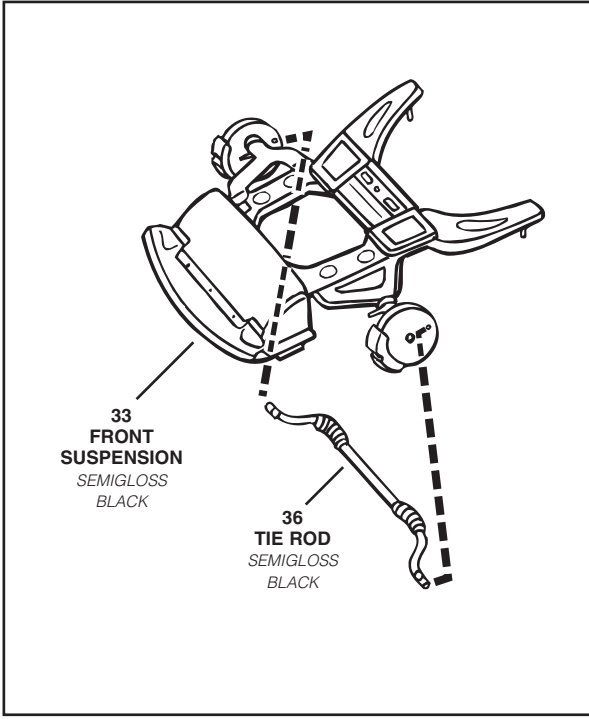


B



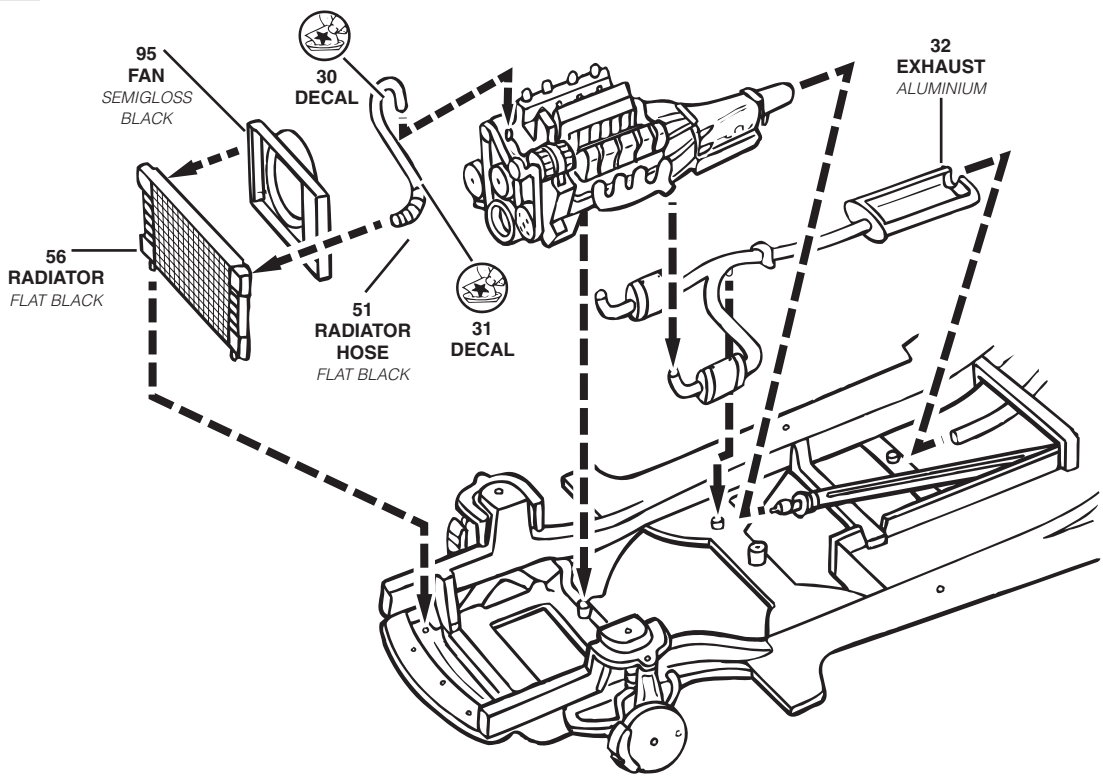
3

FRONT SUSPENSION ASSEMBLY



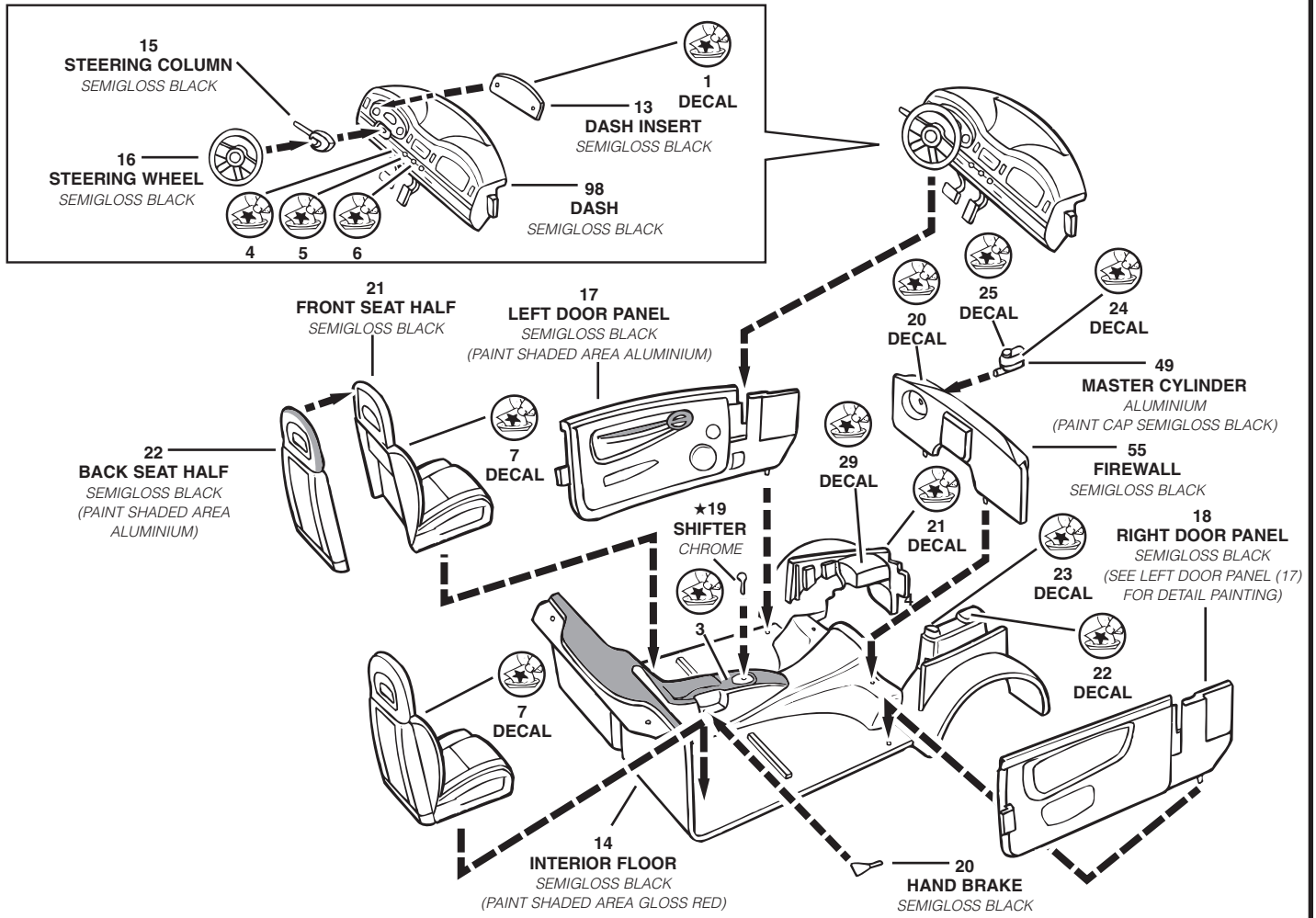
4

ENGINE AND CHASSIS ASSEMBLY



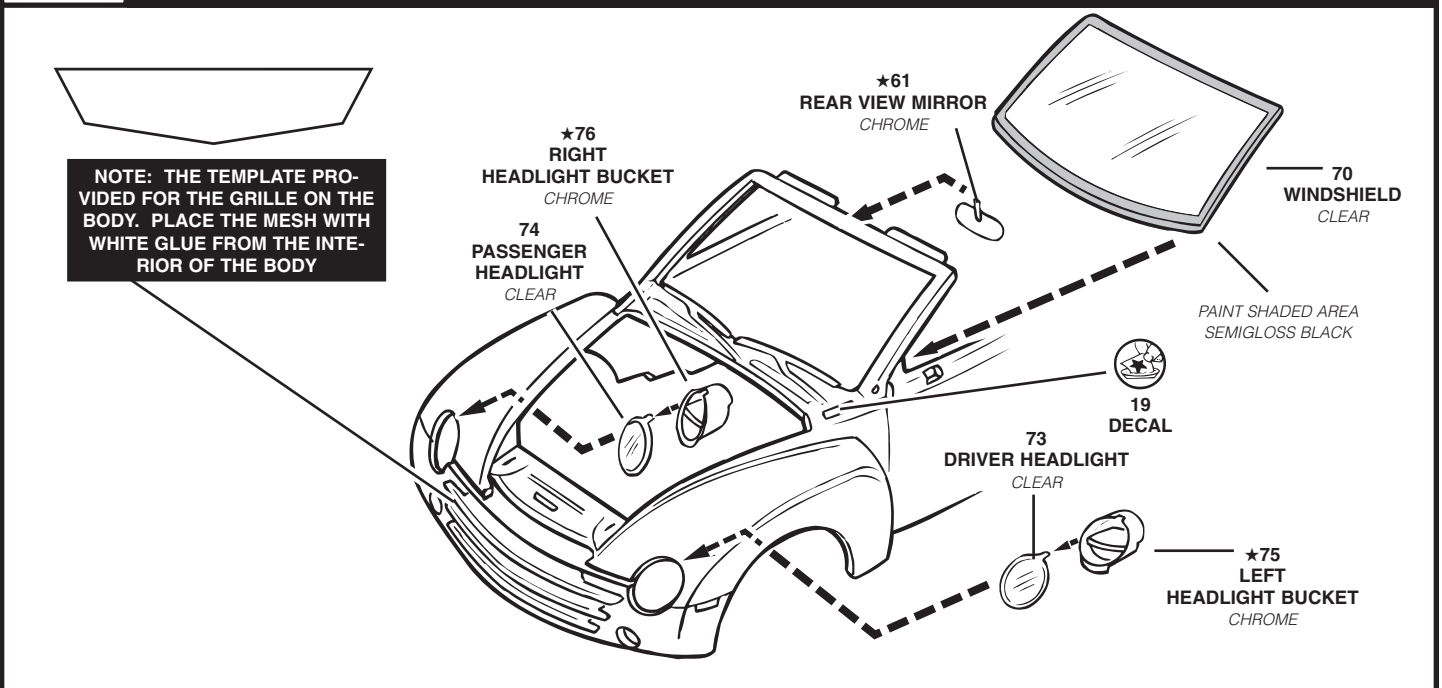
5

INTERIOR ASSEMBLY



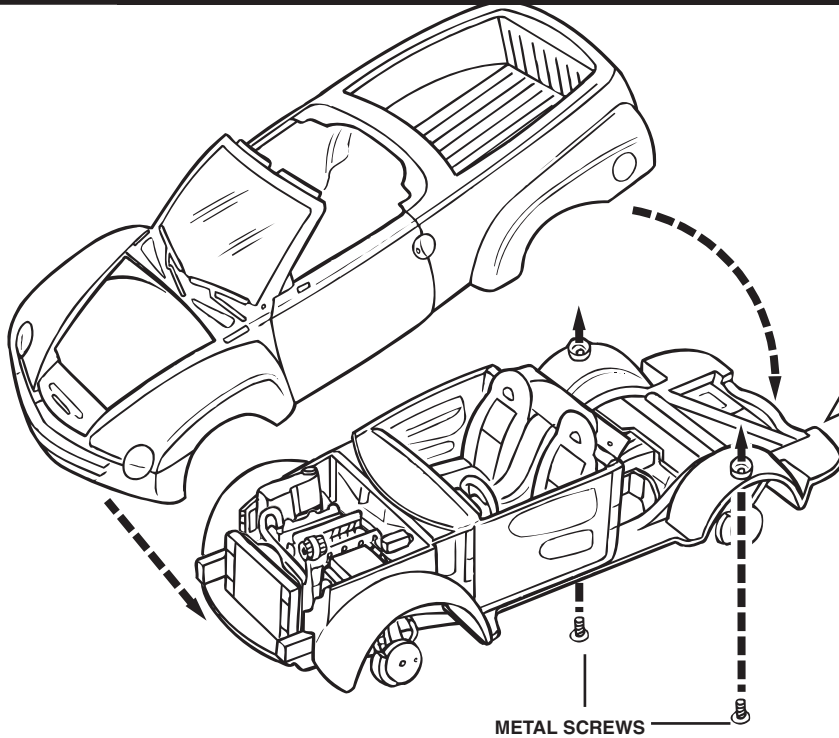
6

WINDSHIELD AND HEADLIGHT ASSEMBLY

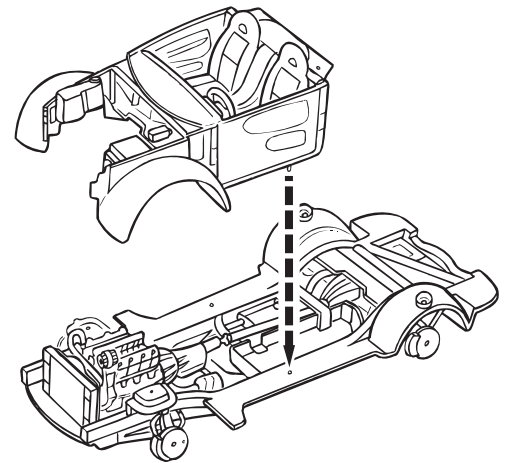


7

BODY AND CHASSIS ASSEMBLY

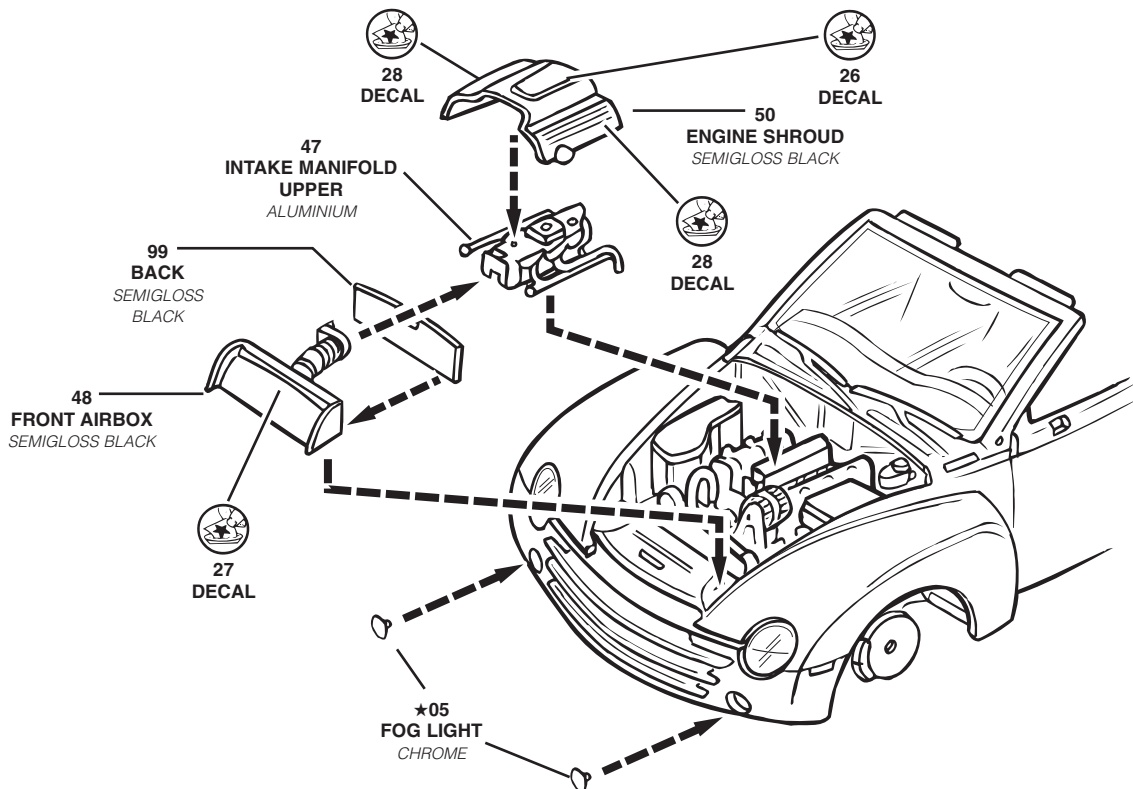


FIRST



8

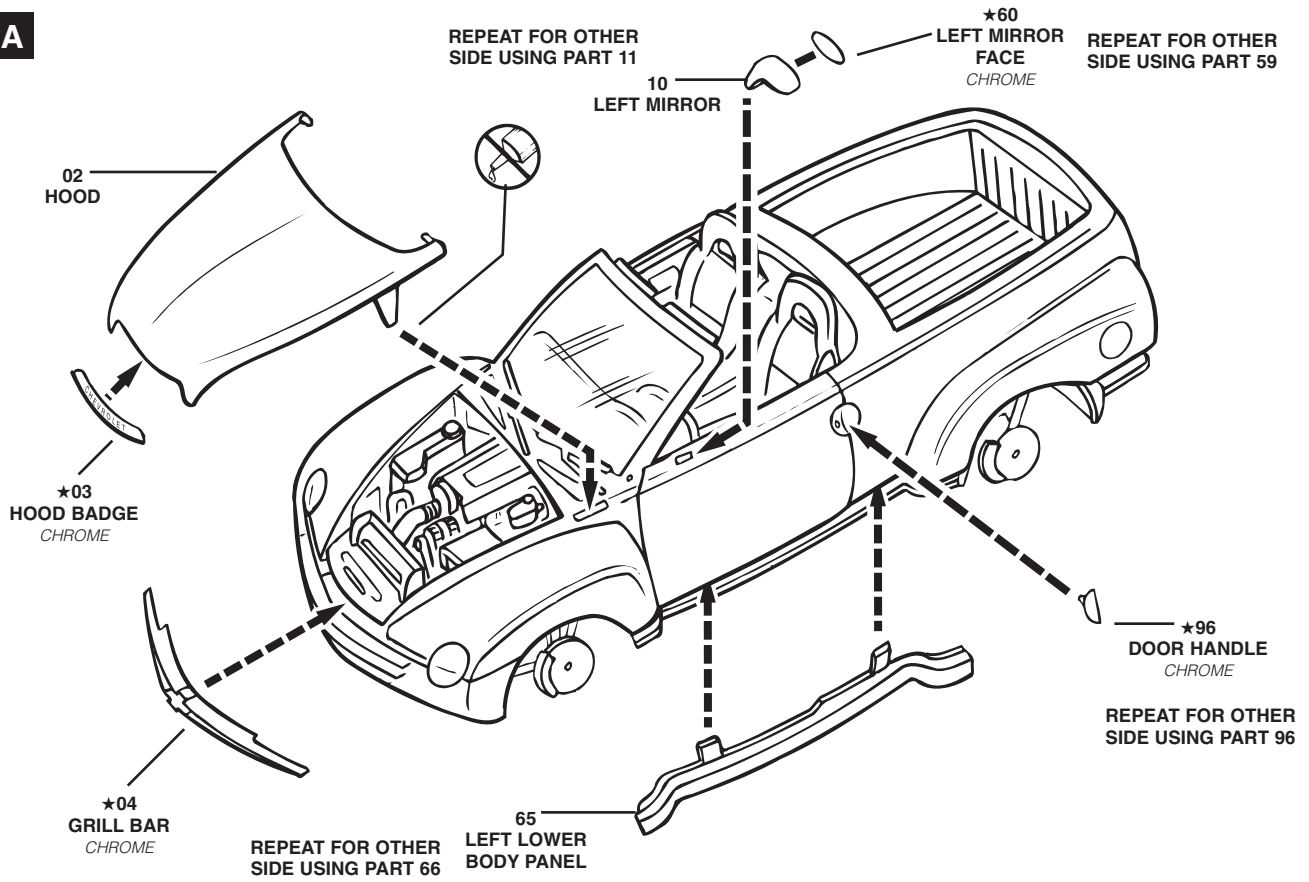
INDUCTION SYSTEM ASSEMBLY



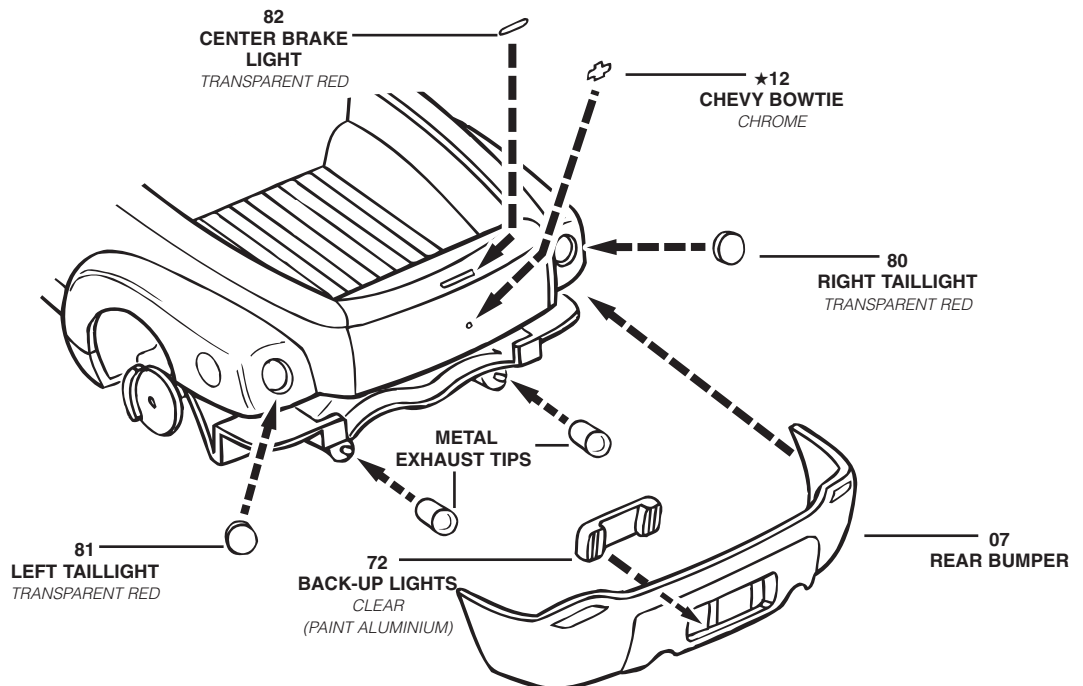
9

BODY ASSEMBLY

A

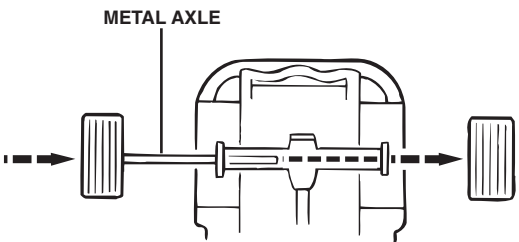
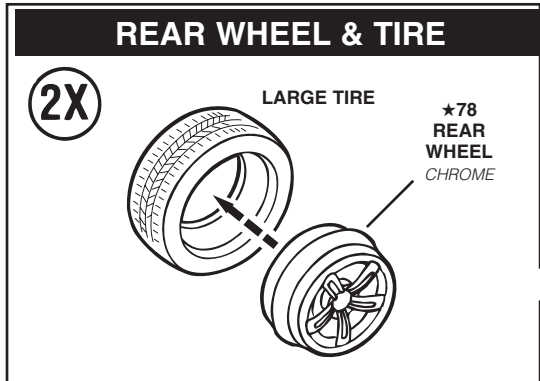
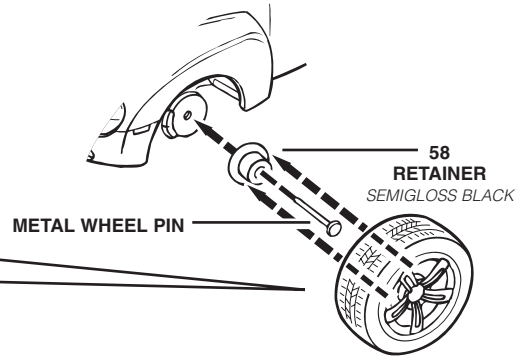
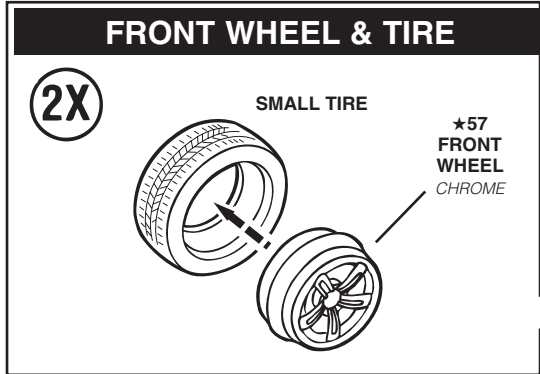


B



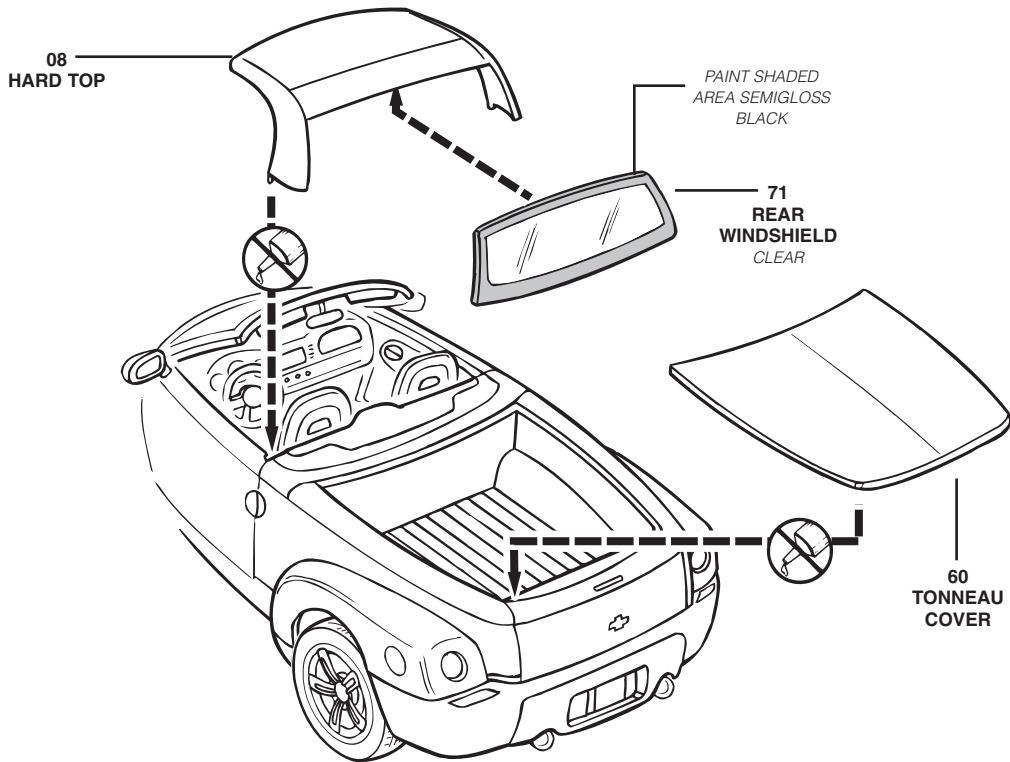
10

WHEEL AND TIRE ASSEMBLY



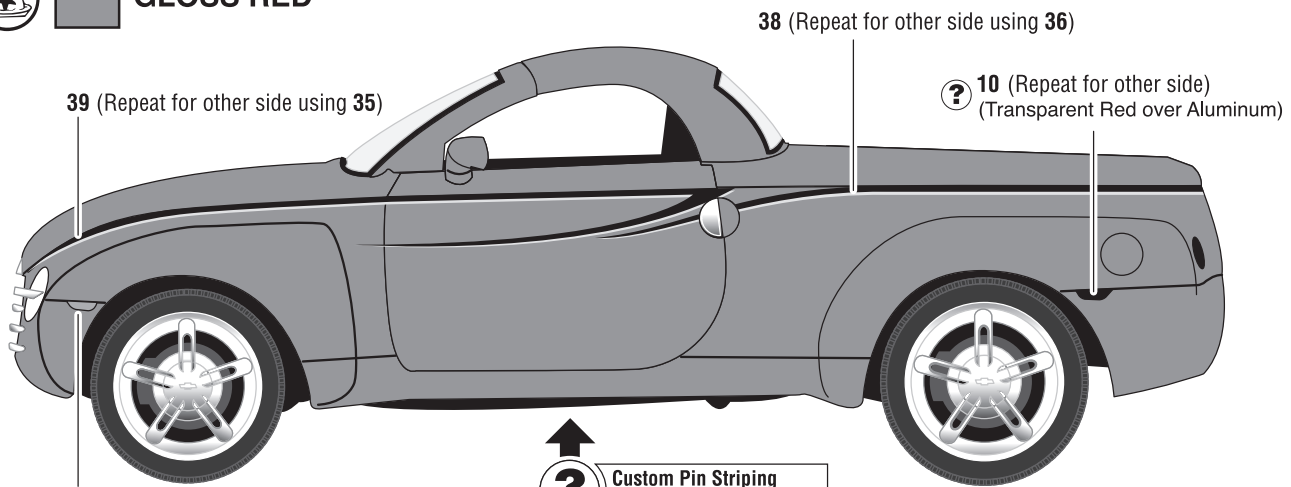
11

FINAL ASSEMBLY





GLOSS RED



Custom Pin Striping
or Racing Stripe versions

