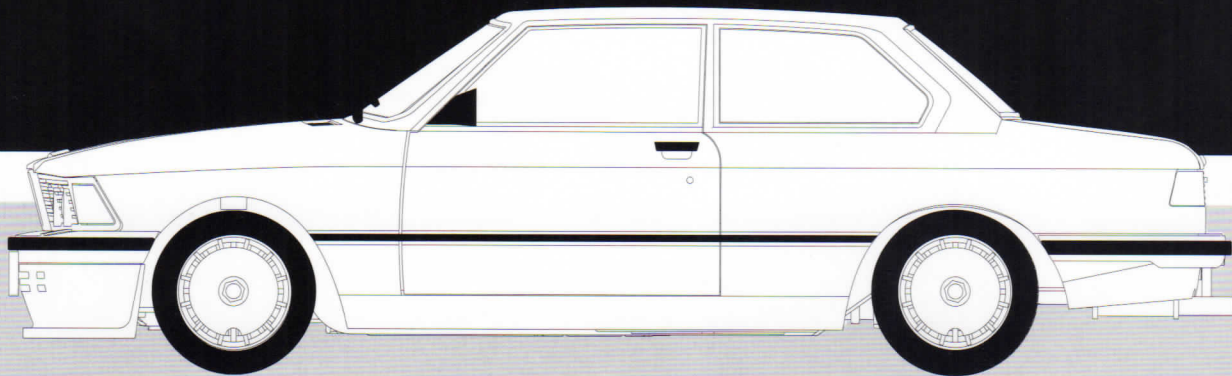


GERMAN CIVILIAN CAR

w/Gas Rockets



READ BEFORE ASSEMBLY

CAUTION

- Read carefully and fully understand the instructions before commencing assembly. A supervising adult should also read the instructions if a child assembles the model.
- When assembling this kit, tools including knives used. Extra care should be taken to avoid personal injury.
- Keep out of reach of small children. Children must not be allowed to suck any part, or pull vinyl bag over their heads.



Optional



Painting



Do Not Cement



Apply Decal

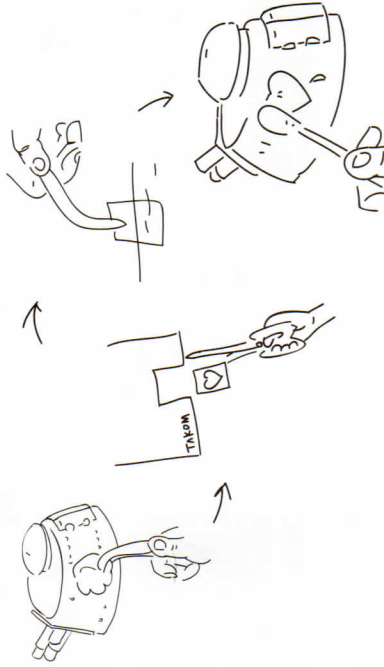
PAINTS REQUIRED

- XF-1 Flat Black
- X-1 Black
- X-7 Red
- X-11 Chrome Silver
- X-26 Clear Orange
- X-27 Clear Red

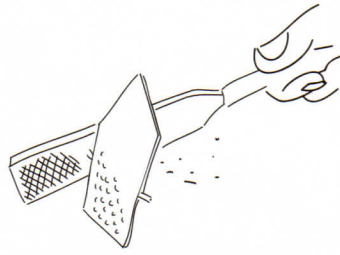
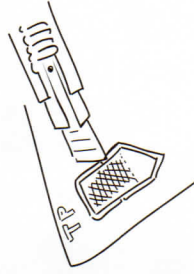
Thanks for all your contribution on this project.

APPLYING DECALS

1. Clean the model surface with a wet cloth.
2. Cut out each decal design from sheet, and dip it in tepid water for 15-20 sec.
3. Hold the backing sheet edge and slide decal onto the model.
4. Move decal into position by wetting decal with finger.
5. Press decal gently down with a soft cloth until excess water and air bubbles are gone.



REMOVING PE

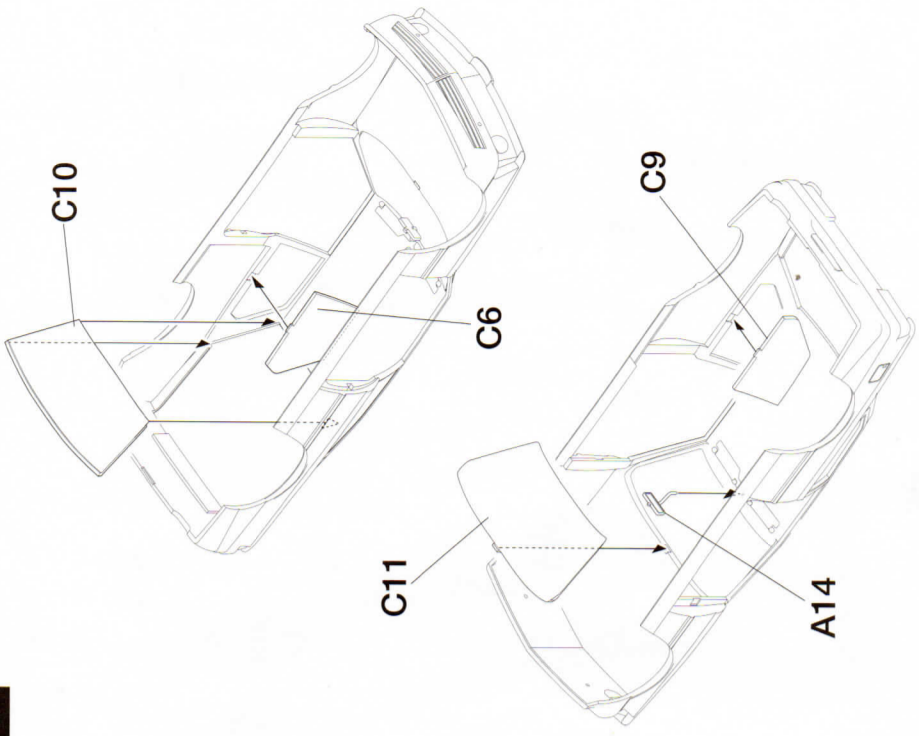
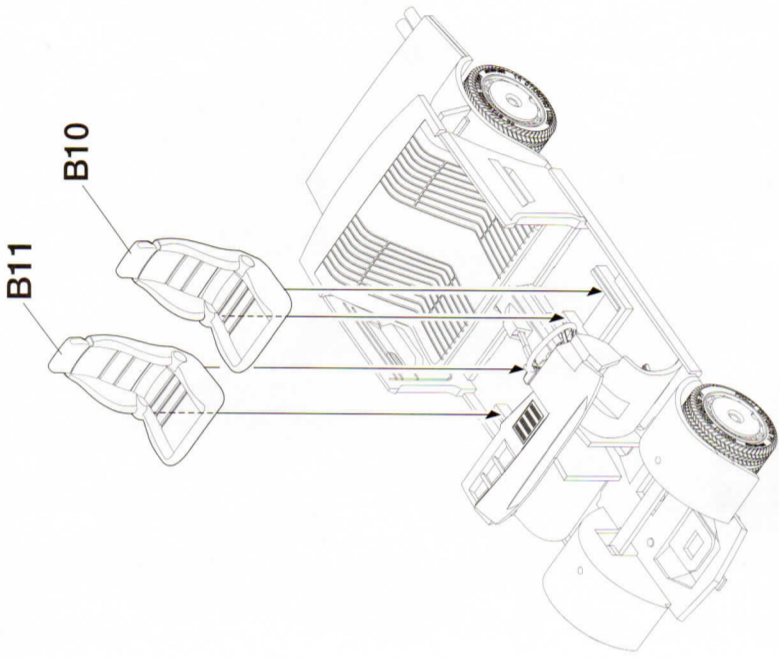
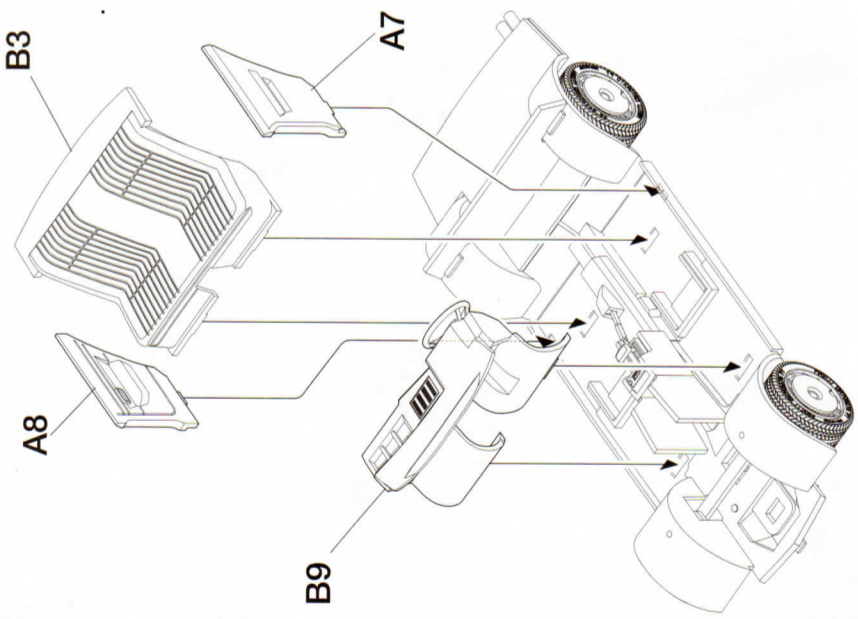
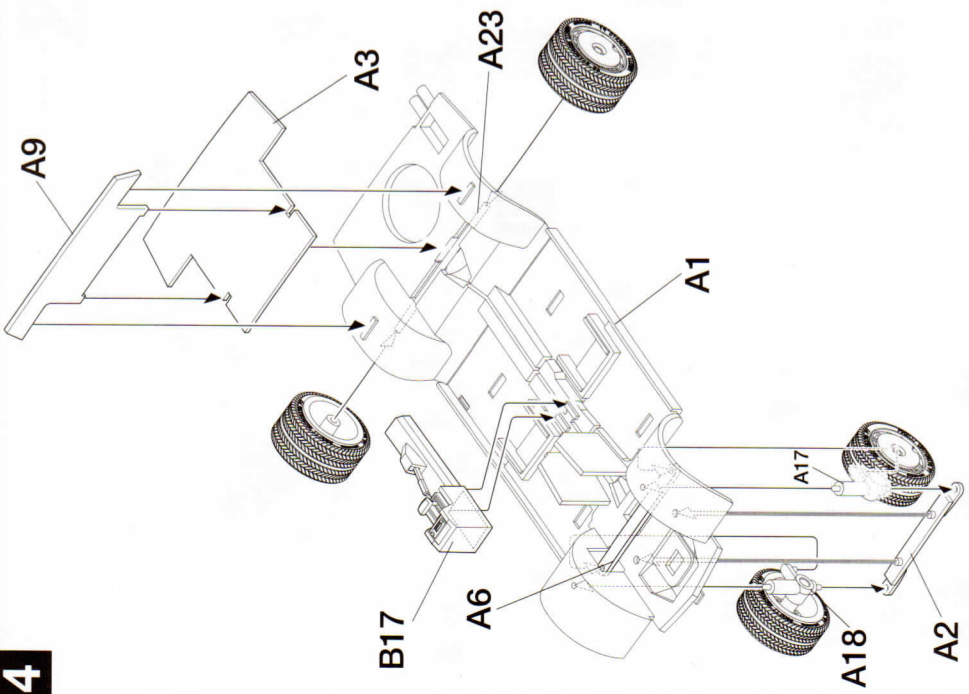


Be careful not to hurt when removing PE parts.

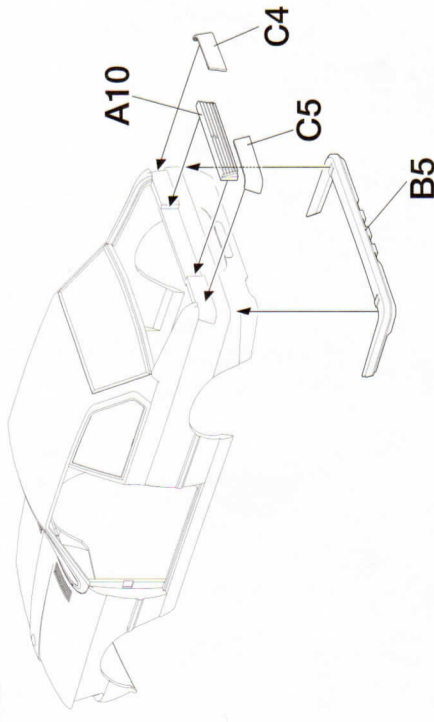


Secure using instant glue (not included).

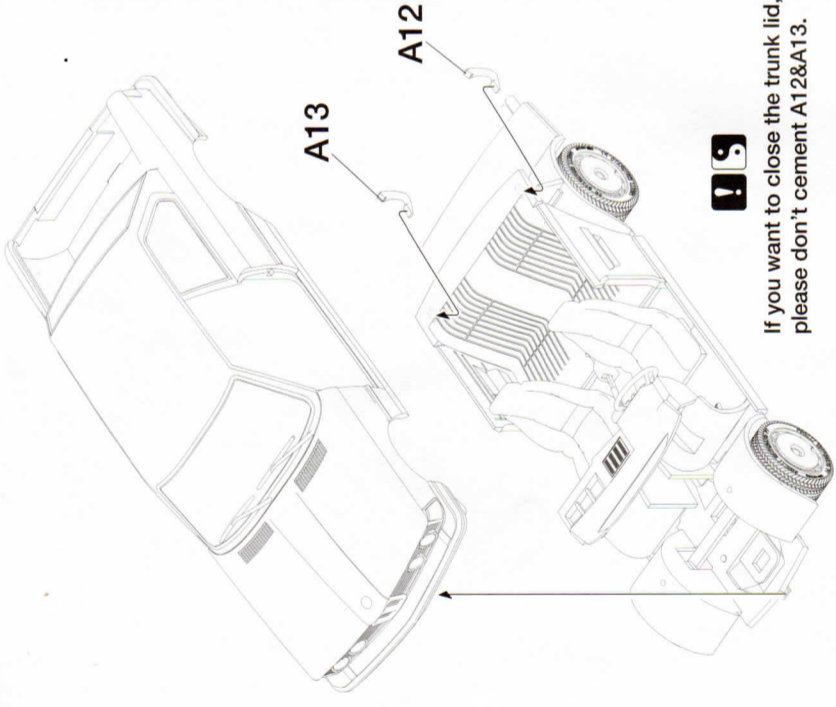
Finish using file.



8

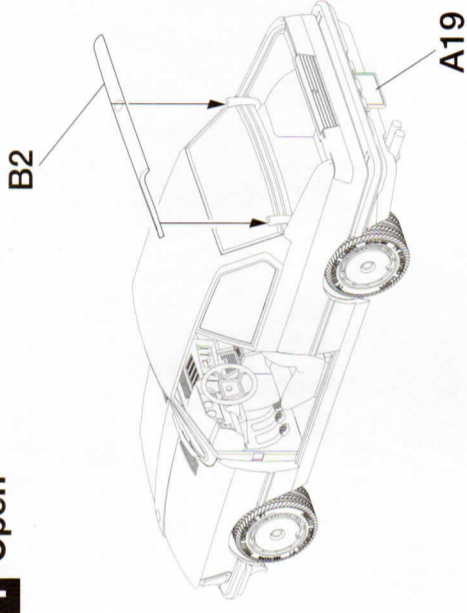


9

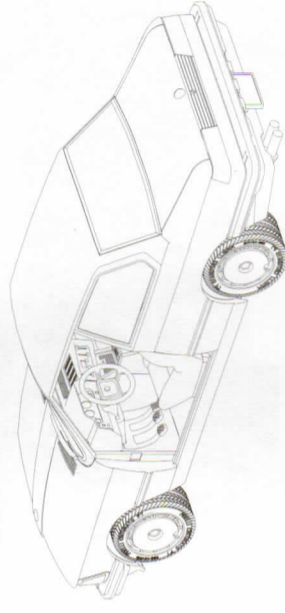


If you want to close the trunk lid, please don't cement A12&A13.

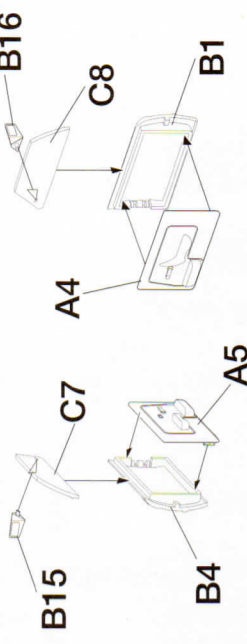
11 Open



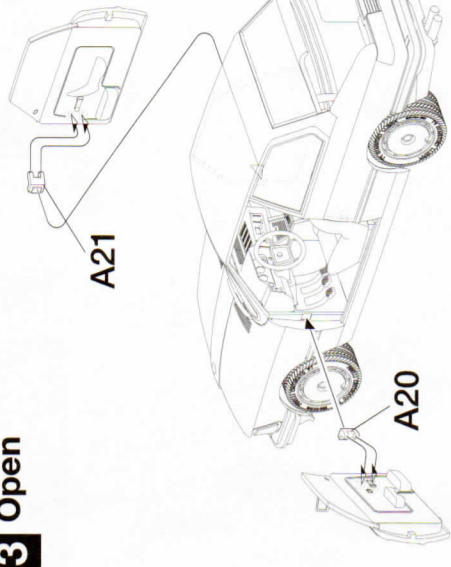
Closed



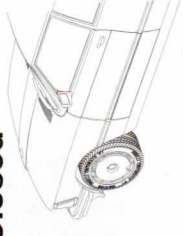
12



13 Open



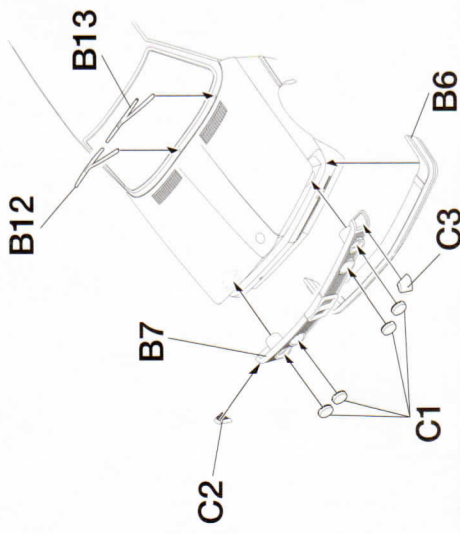
Closed



! **!**

If you want to close the doors, please don't cement A20&A21.

10

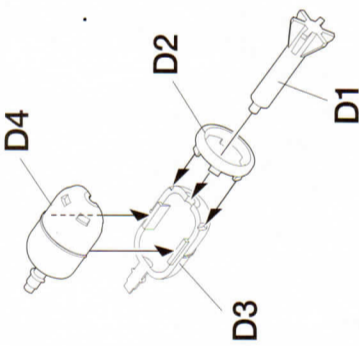
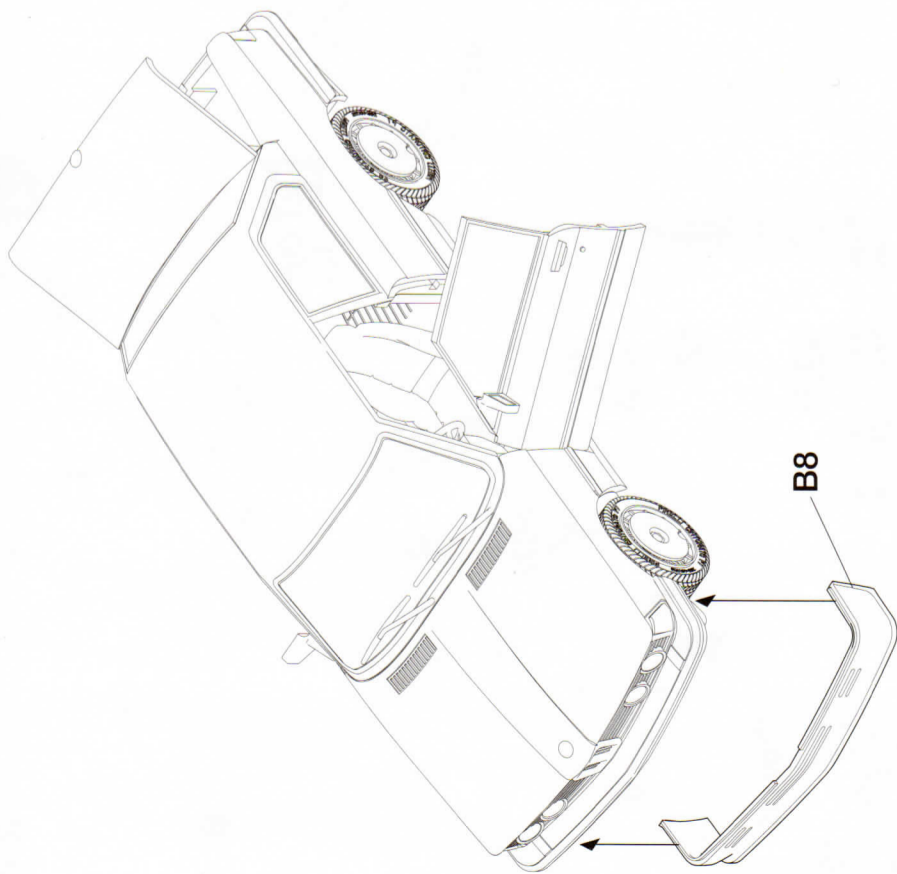


6

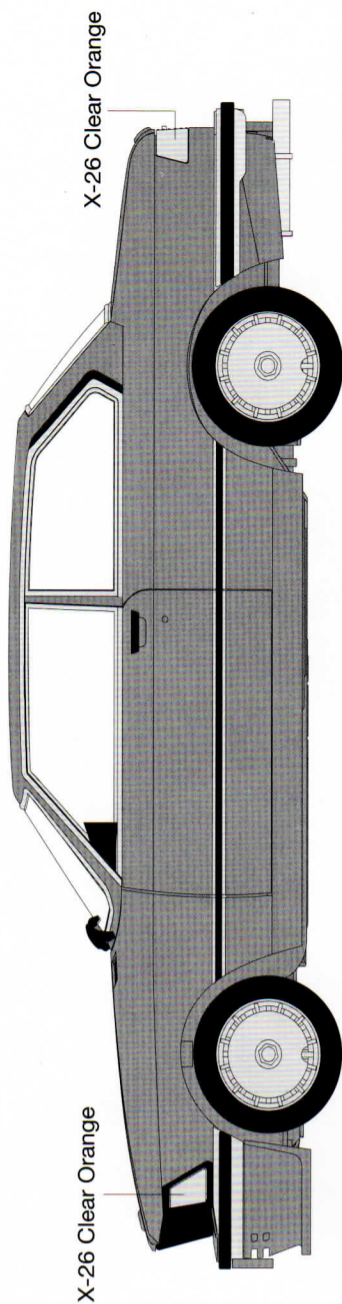
7



Painting



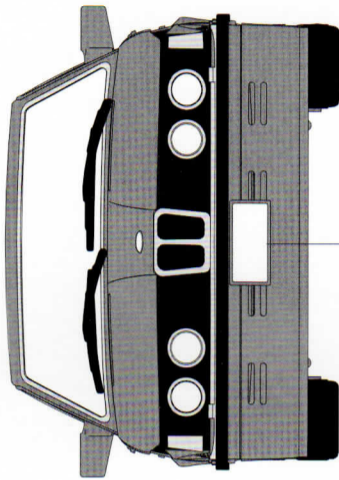
The color of this figure please refer to boxart



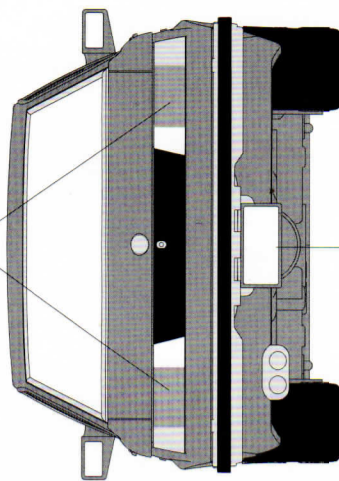
X-26 Clear Orange

X-26 Clear Orange

- XF-1 Flat Black
- X-7 Red X-1 Black
- X-11 Chrome Silver

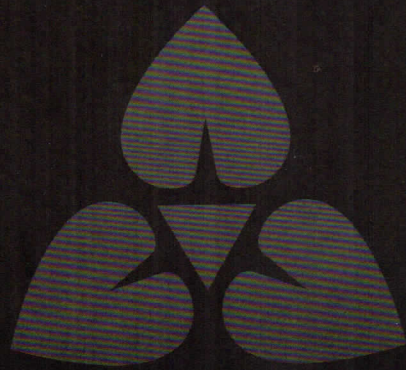


A19



X-27 Clear Red

A19



2014/2005