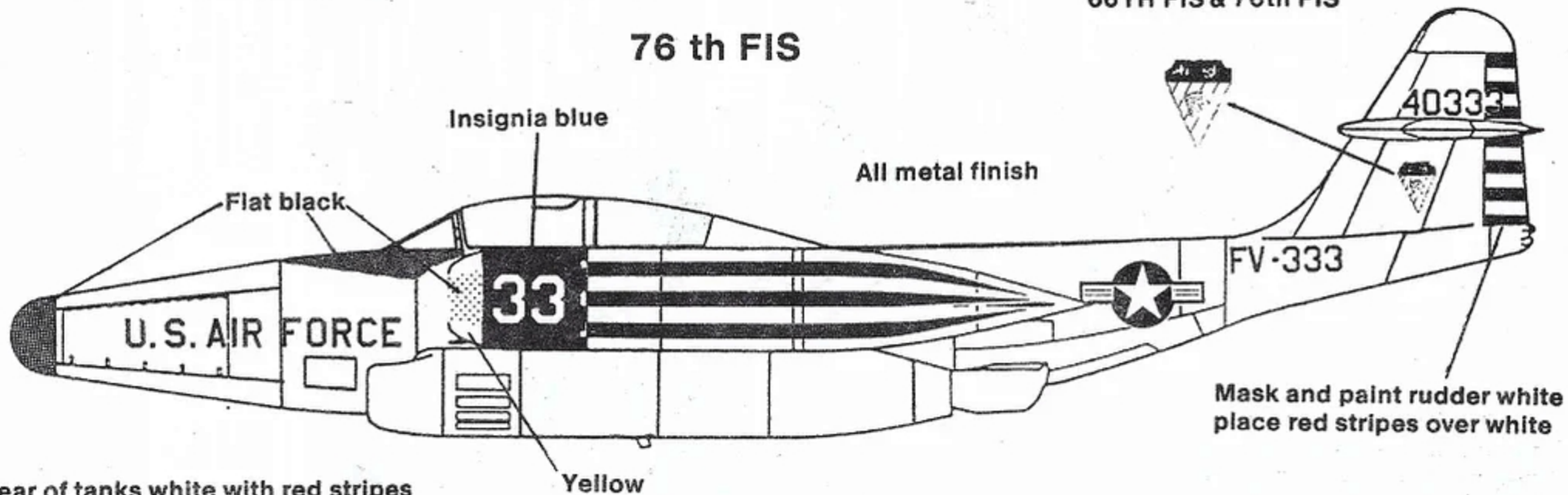
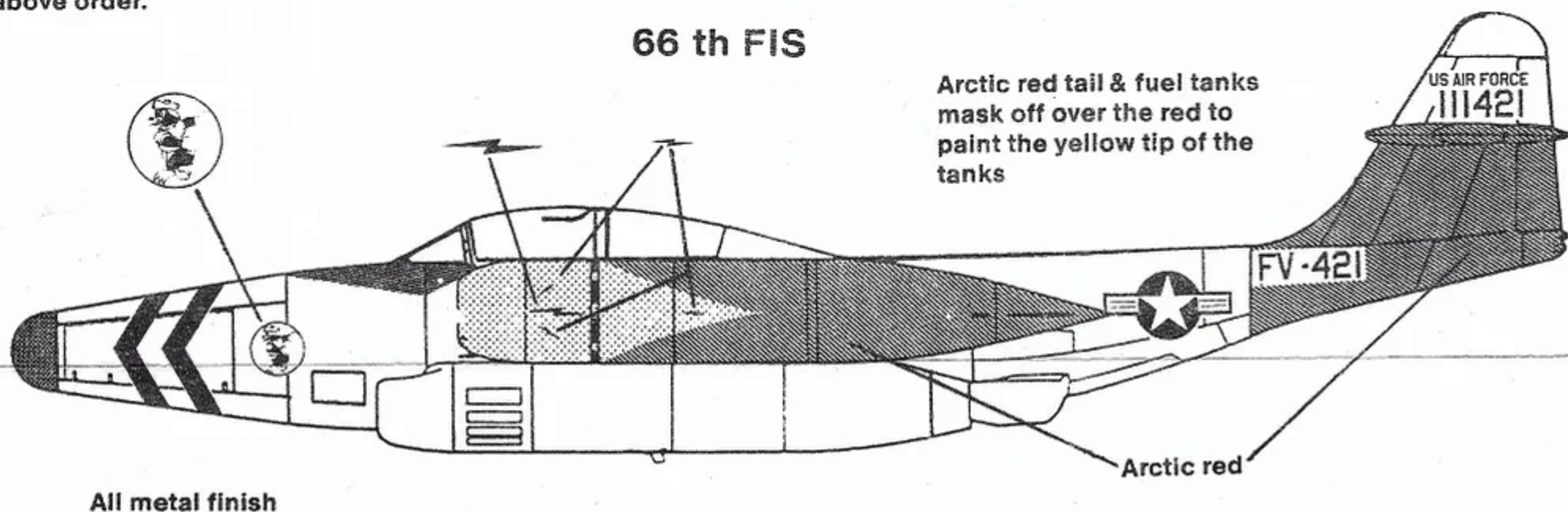


76 th FIS

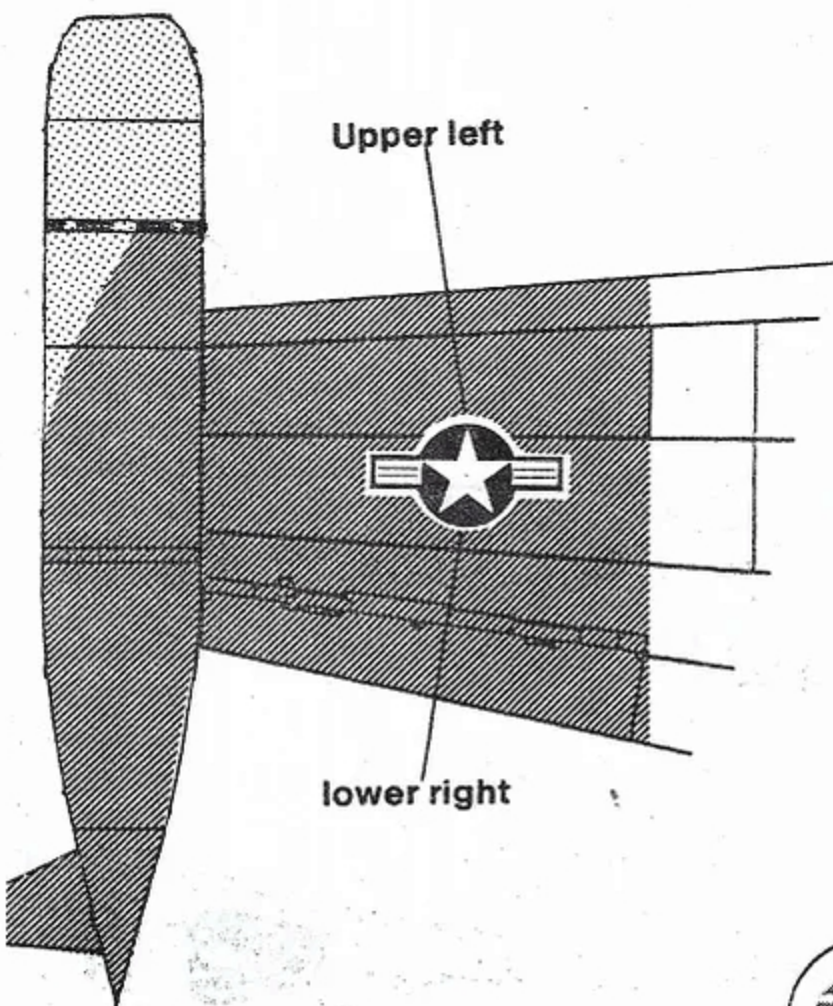


Rear of tanks white with red stripes on white. Forward section blue under white 33. Tip of tank is black and yellow. The colors of the fuel tanks should be masked and painted in the above order.

66 th FIS

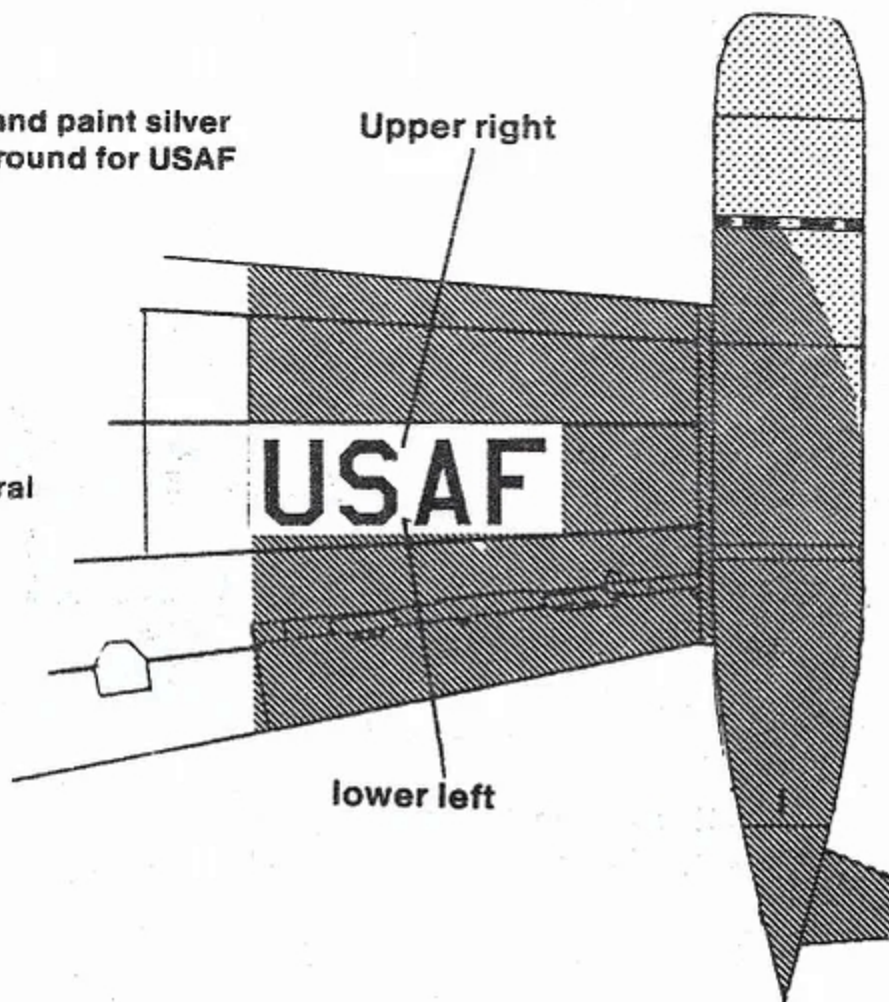


All metal finish

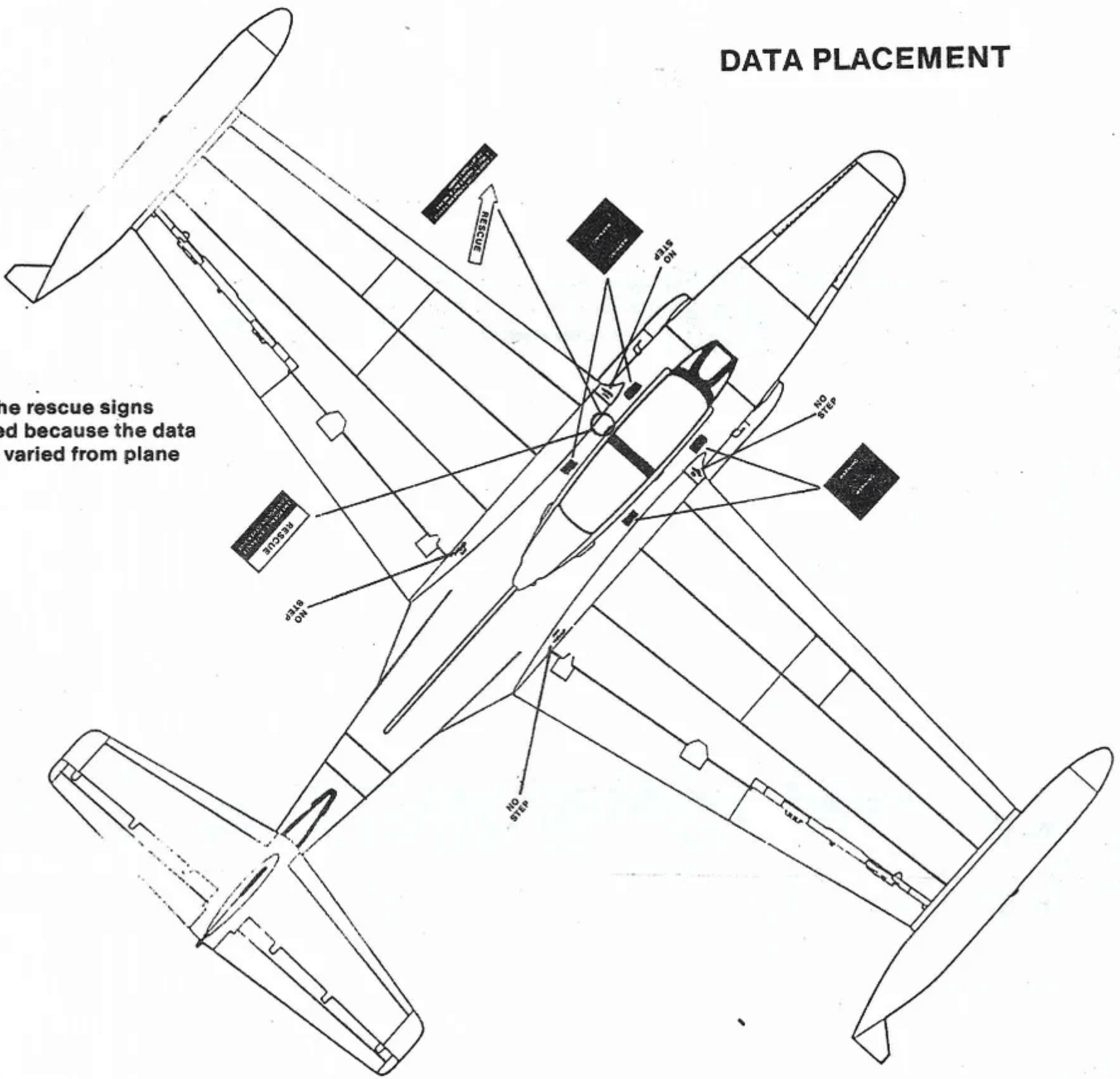


Mask and paint silver background for USAF

Red wing tips for 66 th FIS only
 76 th FIS has natural metal wing tips

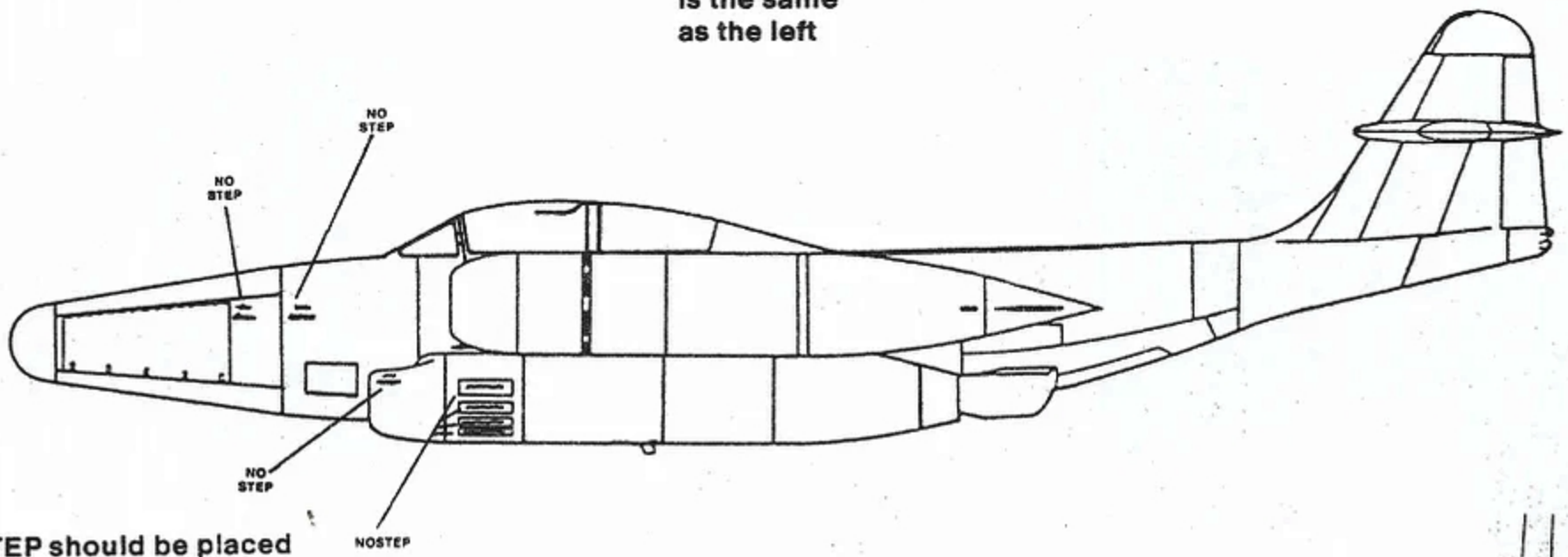


DATA PLACEMENT



Either of the rescue signs can be used because the data frequently varied from plane to plane.

Right side data placement is the same as the left



NO STEP should be placed on all vent doors

Mask and paint anti-glare panel flat black

