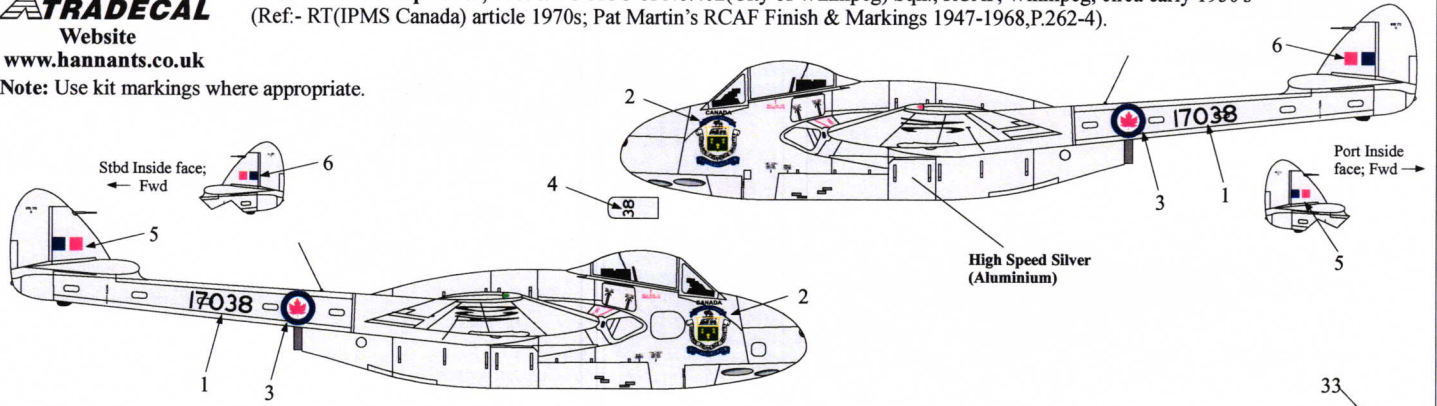
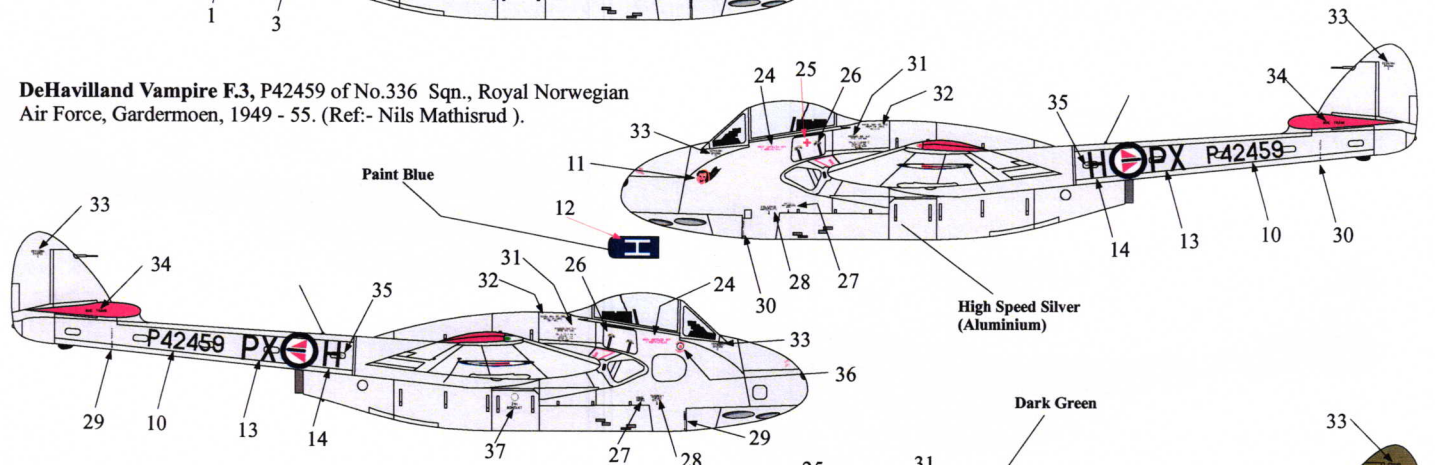


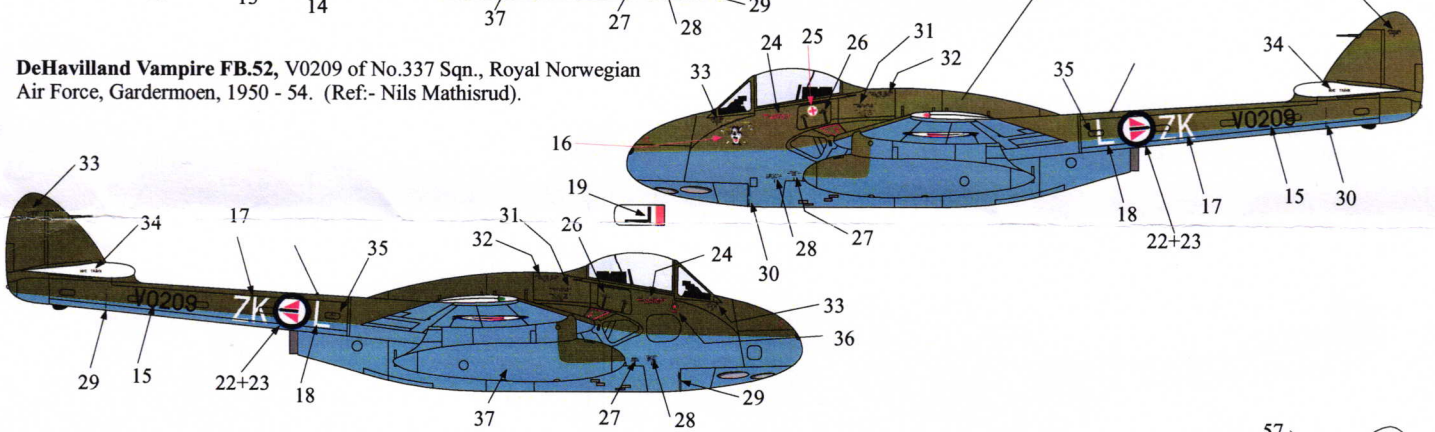
Note: Use kit markings where appropriate.



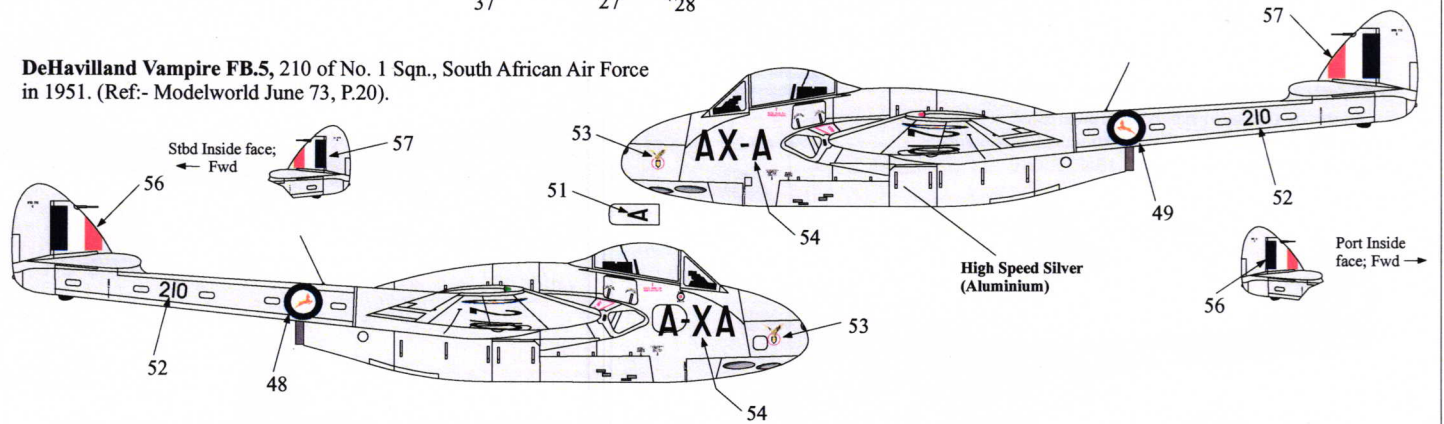
DeHavilland Vampire F.3, P42459 of No.336 Sqn., Royal Norwegian Air Force, Gardermoen, 1949 - 55. (Ref:- Nils Mathisrud).



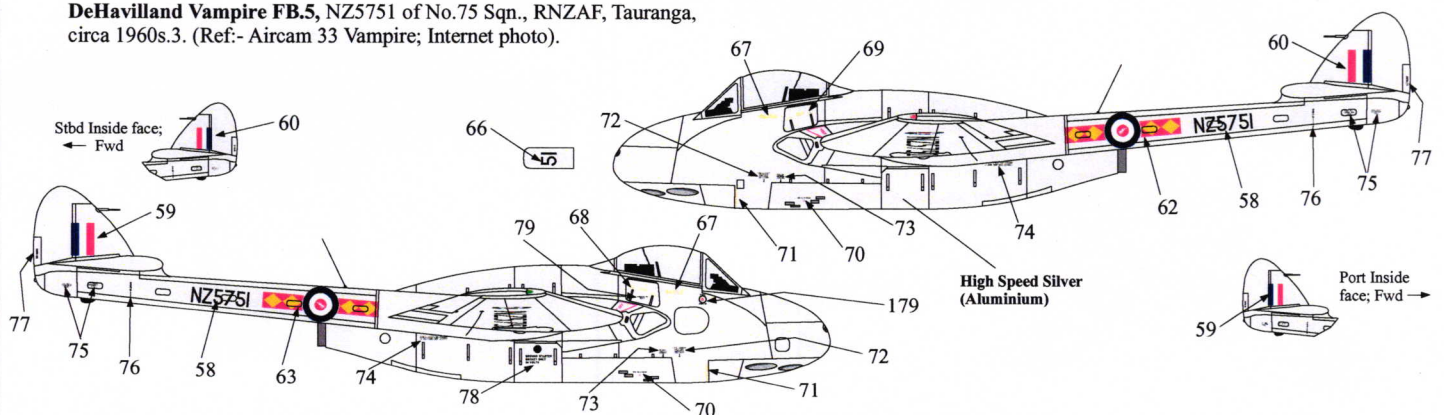
DeHavilland Vampire FB.52, V0209 of No.337 Sqn., Royal Norwegian Air Force, Gardermoen, 1950 - 54. (Ref:- Nils Mathisrud).



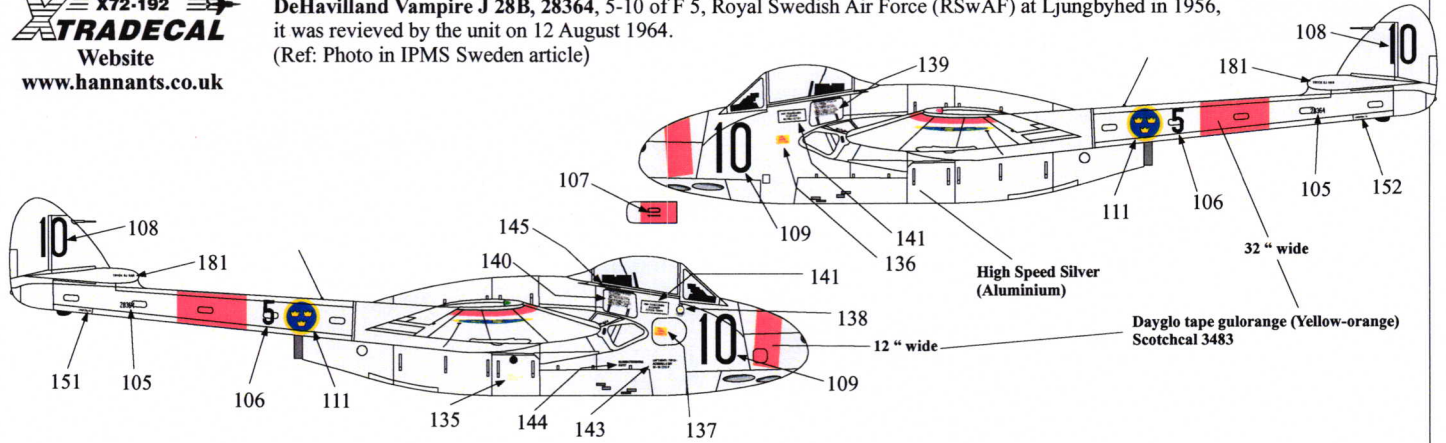
DeHavilland Vampire FB.5, 210 of No. 1 Sqn., South African Air Force in 1951. (Ref:- Modelworld June 73, P.20).



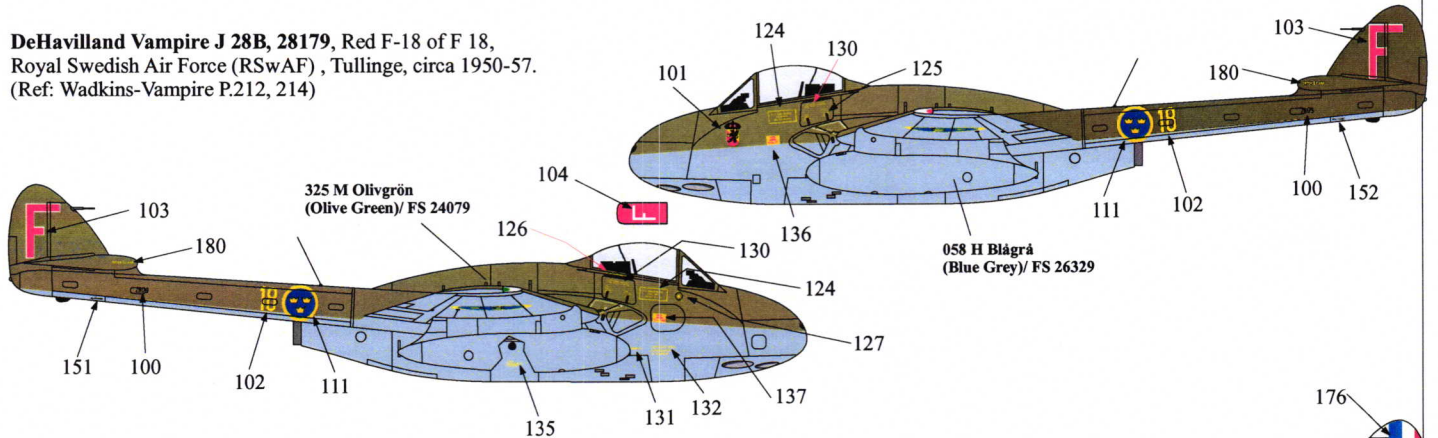
DeHavilland Vampire FB.5, NZ5751 of No.75 Sqn., RNZAF, Tauranga, circa 1960s.3. (Ref:- Aircam 33 Vampire; Internet photo).



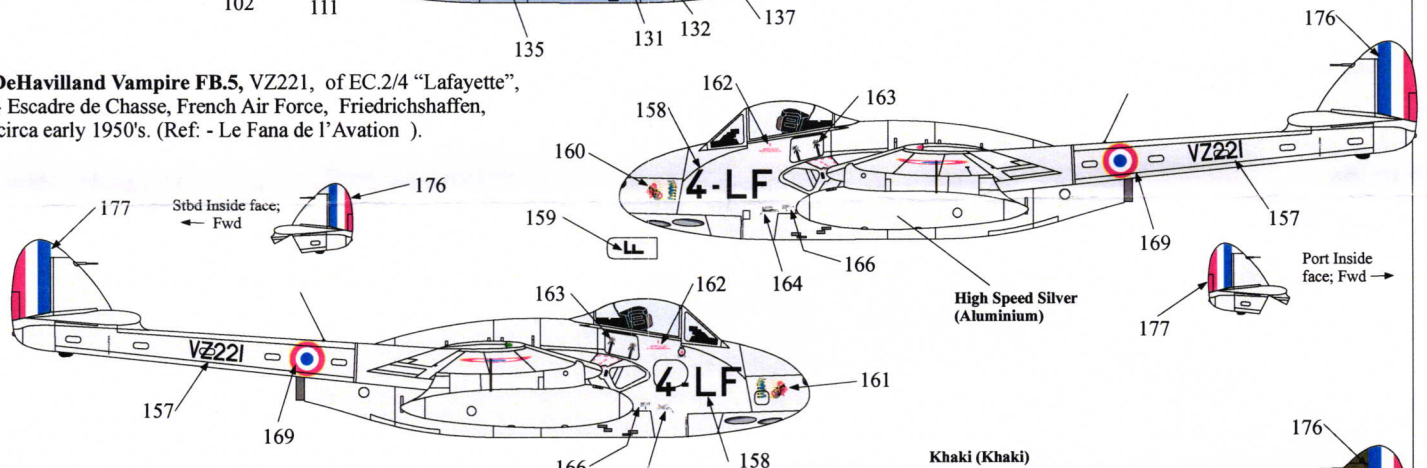
DeHavilland Vampire J 28B, 28364, 5-10 of F 5, Royal Swedish Air Force (RSwAF) at Ljungbyhed in 1956,
it was reviewed by the unit on 12 August 1964.
(Ref: Photo in IPMS Sweden article)



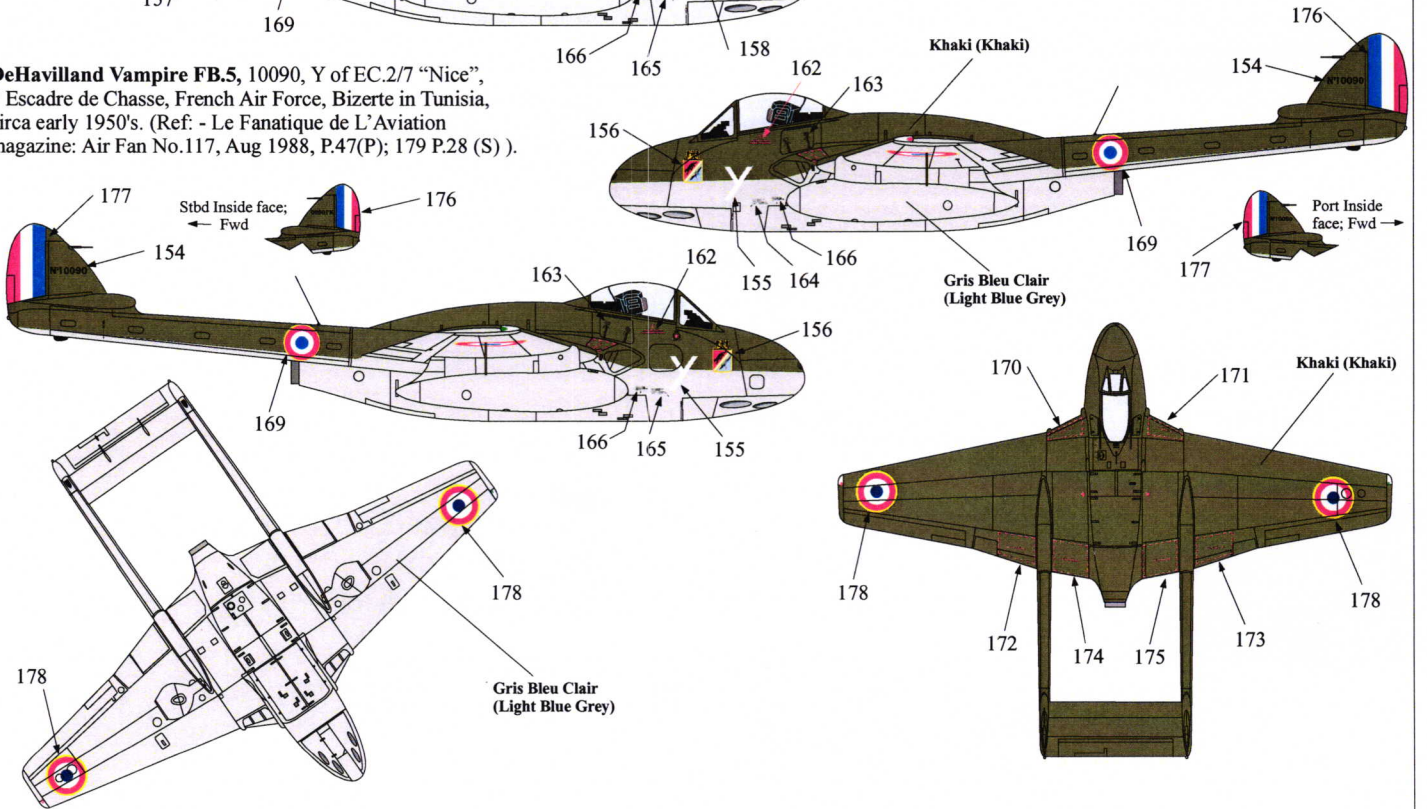
DeHavilland Vampire J 28B, 28179, Red F-18 of F 18,
Royal Swedish Air Force (RSwAF), Tullinge, circa 1950-57.
(Ref: Wadkins-Vampire P.212, 214)

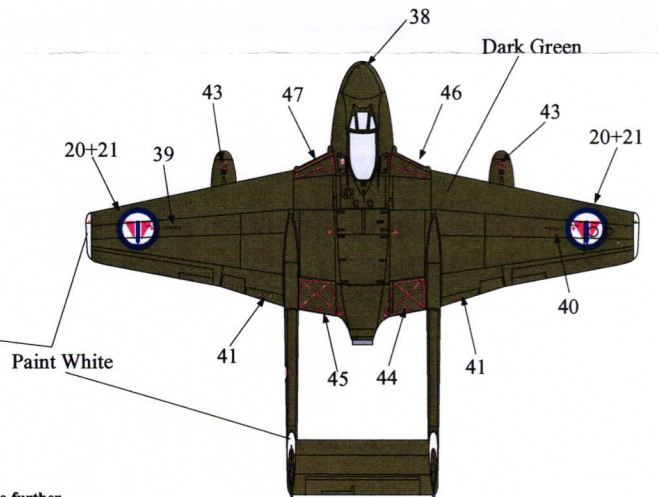
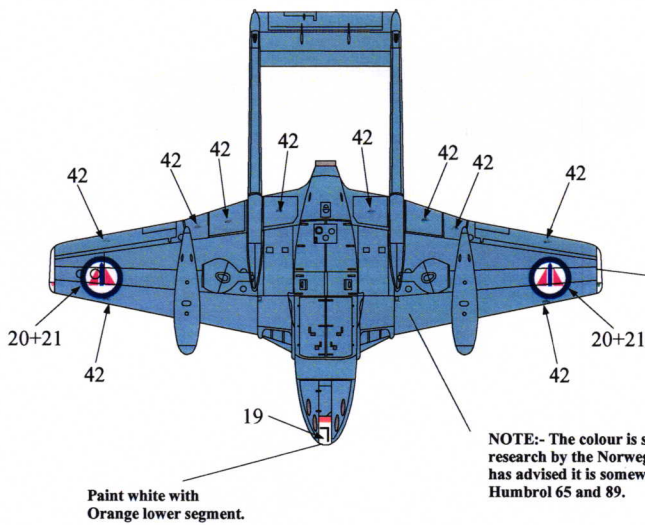
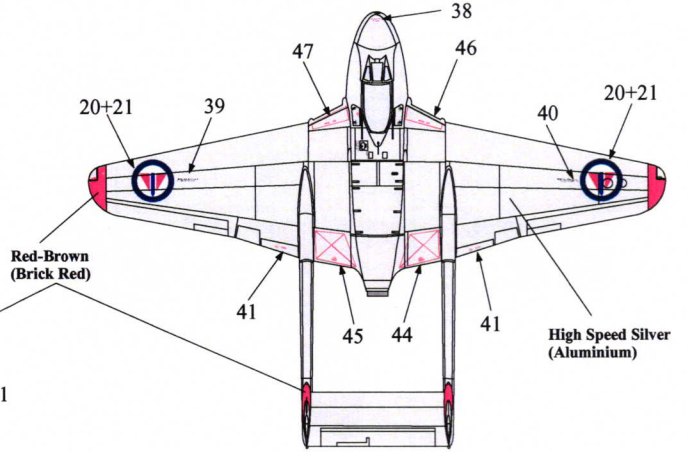
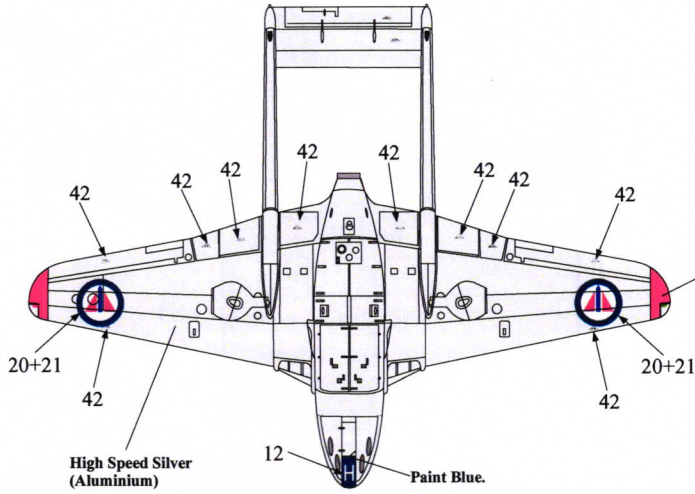
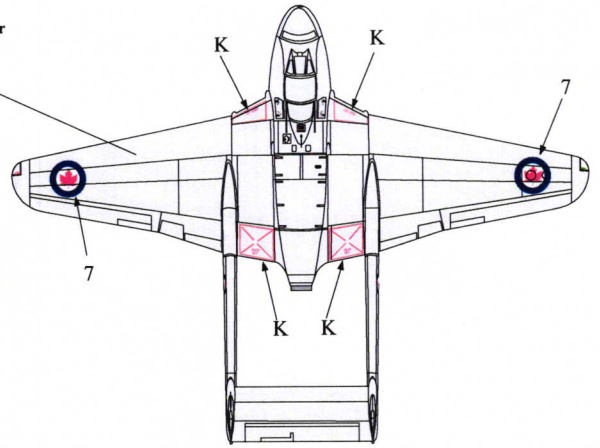
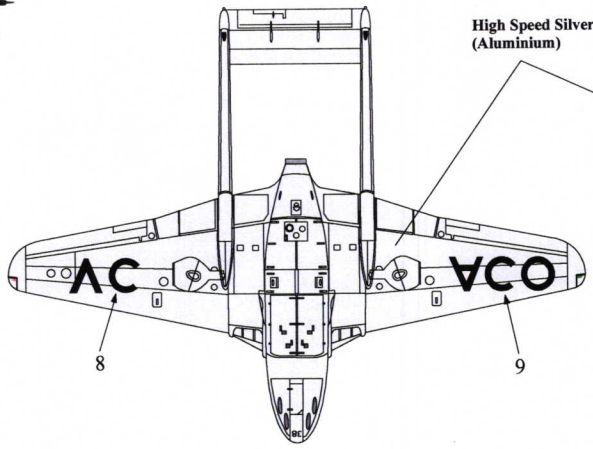


DeHavilland Vampire FB.5, VZ221, of EC.2/4 "Lafayette",
4 Escadre de Chasse, French Air Force, Friedrichshaffen,
circa early 1950's. (Ref: - Le Fana de l'Aviation).

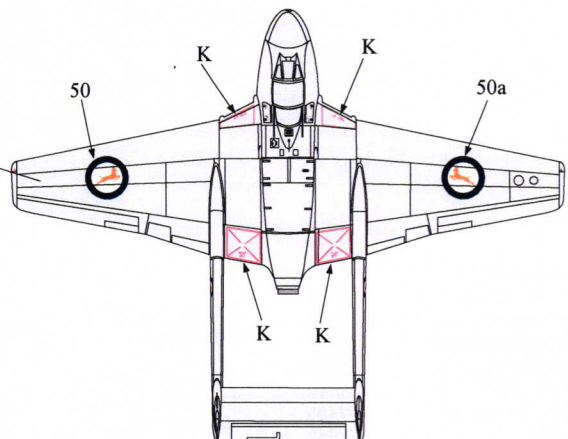
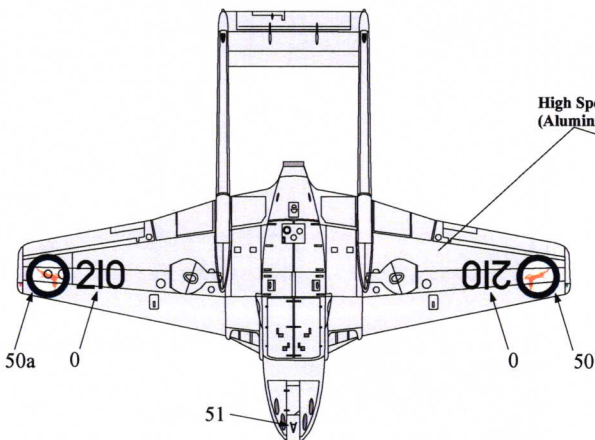


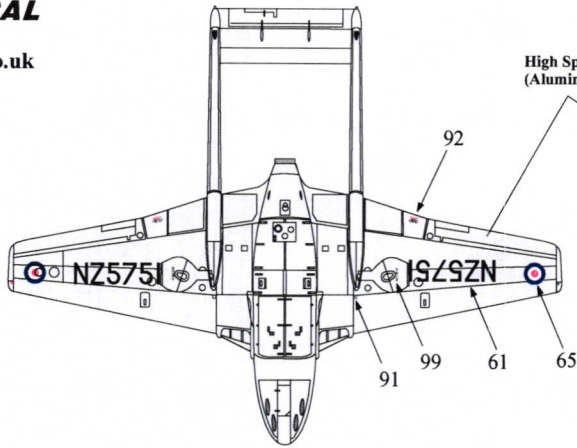
DeHavilland Vampire FB.5, 10090, Y of EC.2/7 "Nice",
7 Escadre de Chasse, French Air Force, Bizerte in Tunisia,
circa early 1950's. (Ref: - Le Fanatique de L'Aviation
magazine: Air Fan No.117, Aug 1988, P.47(P); 179 P.28 (S)).



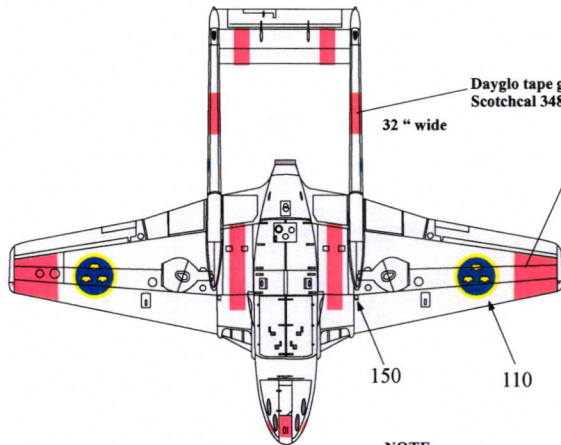
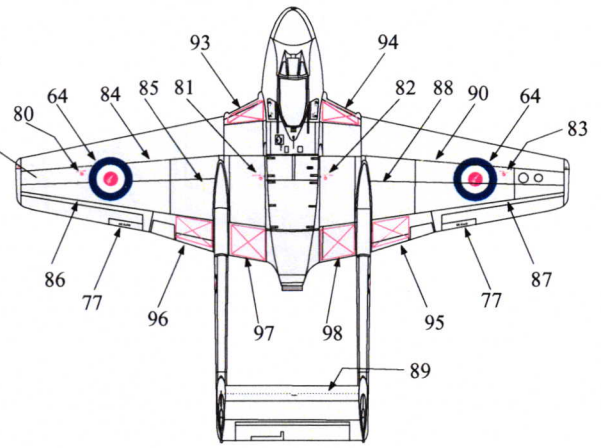


NOTE:- The colour is subject to further research by the Norwegians and Nils Mathisrud has advised it is somewhere between Humbrol 65 and 89.



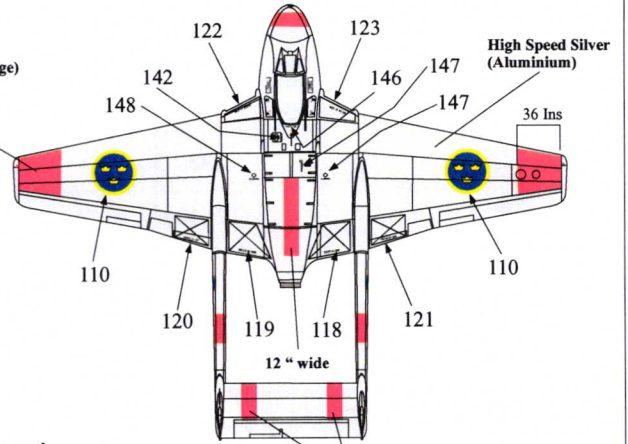


High Speed Silver (Aluminium)



Dayglo tape golorange (Yellow-orange) Scotchcal 3483

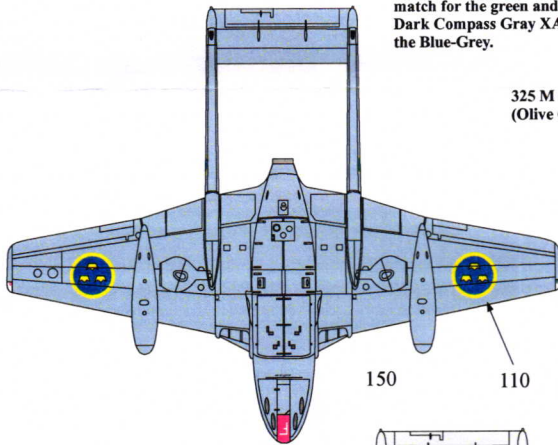
32" wide



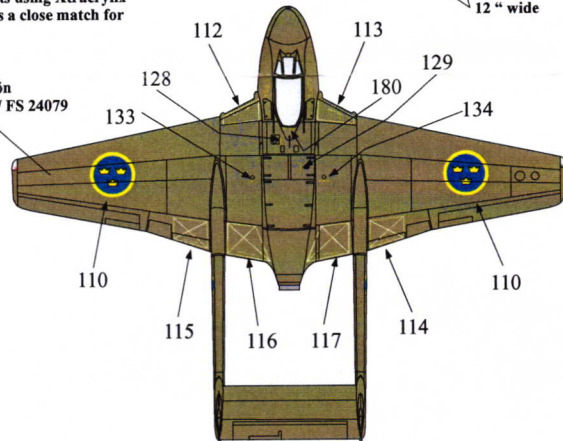
High Speed Silver (Aluminium)

NOTE:

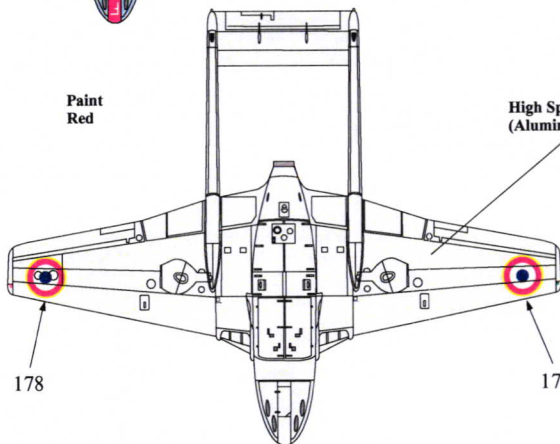
Magnus Fridsell confirms FS 14079 (XA1135) as a good match for the green and suggests using Xtracrylix Dark Compass Gray XA1115 as a close match for the Blue-Grey.



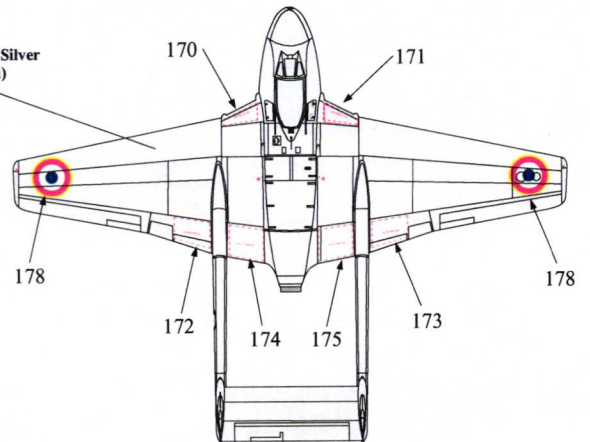
325 M Olivgrön (Olive Green)/ FS 24079



Paint Red



High Speed Silver (Aluminium)



Xtracolor Paints:

Dark Green BS241
 Trainer Yellow
 Roundel Blue BS110
 High Speed Silver
 Green FS 14079
 D-C Gray FS 16320
 Aluminium

X001
 X011
 X030
 X038
 X110
 X135
 X142

Xtracrylix Paints:

Dark Green XA1001
 Trainer Yellow XA1011
 Green FS 14079 XA1110
 D-C Gray FS 16320 XA1135
 Silber (H-Speed Silver) XA1216

The unstinting assistance of fellow IPMS members worldwide is gratefully acknowledged:-

Nils Mathisrud - IPMS Norway; Vingtor
 Magnus Fridsell - IPMS Stockholm, Sweden,
 R.L.(Dick) Ward
 David Watkins