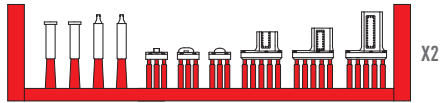
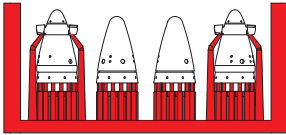
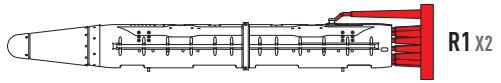
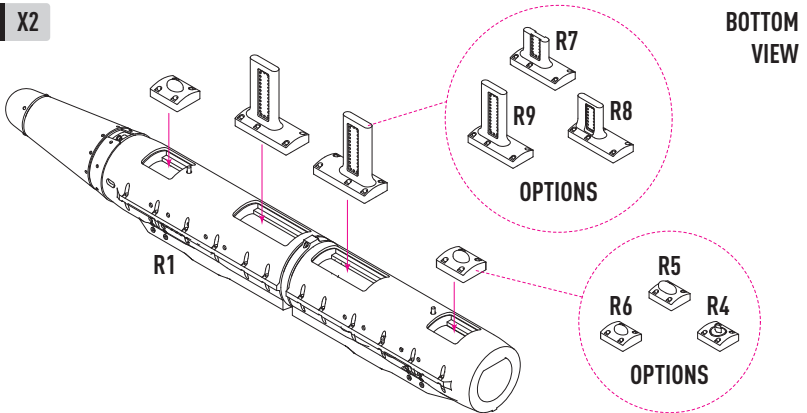


CUT

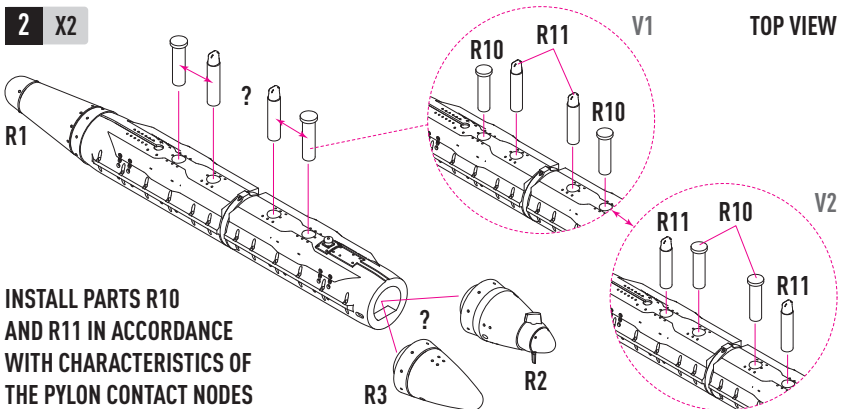
USE A SAW TO REMOVE SUPPORTS FROM 3D PRINTED PARTS



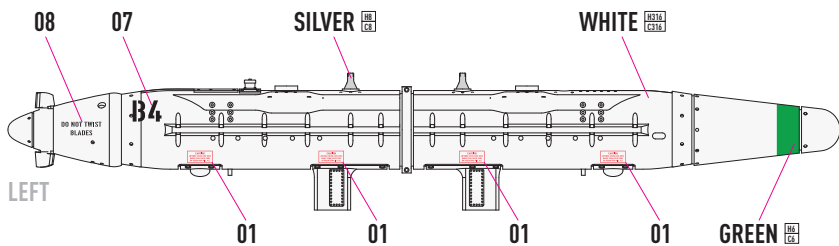
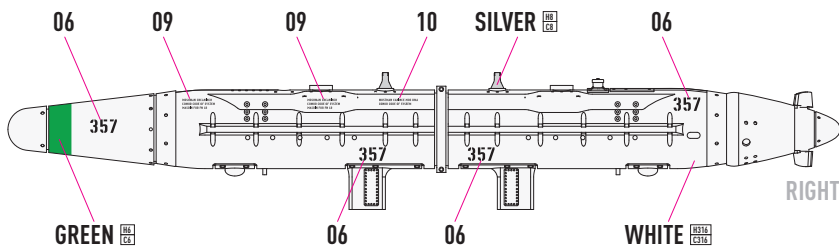
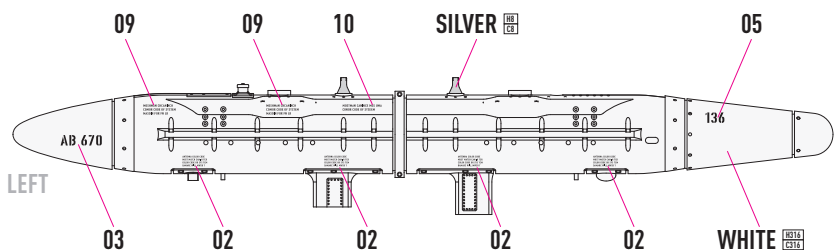
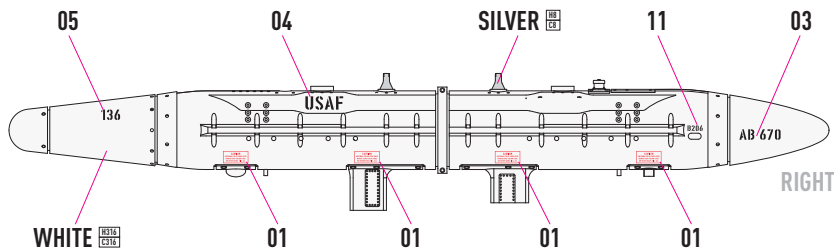
1 X2



2 X2



INSTALL PARTS R10 AND R11 IN ACCORDANCE WITH CHARACTERISTICS OF THE PYLON CONTACT NODES



COLORS	GUNZE / AEGISUS	GUNZE / MR.COLOR
WHITE	H316	C316

COLORS	GUNZE / AEGISUS	GUNZE / MR.COLOR
SILVER	H8	C8

COLORS	GUNZE / AEGISUS	GUNZE / MR.COLOR
GREEN	H6	C6