

Set AC72-27

1:72 Scale

AIRWAVES

F/A-10A/B Hornet Canopy

Set AC48-10

1:48 Scale

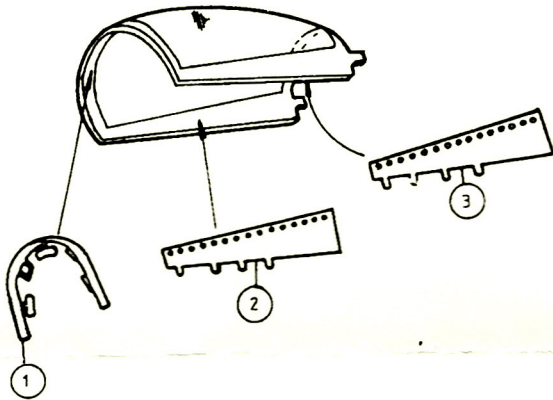
This detail set is manufactured from photo etched brass sheet and is meant for use on the Testors Haleri kits.

Use a sharp modelling knife or scalpel to separate components from frame ensuring that this is done on a firm flat surface, as near to the part as possible. Tag scars can be cleaned by holding part in pliers and using a fine file. To fold part, support up to line of fold in pliers, and fold in one go using the blade of a screwdriver to fold.

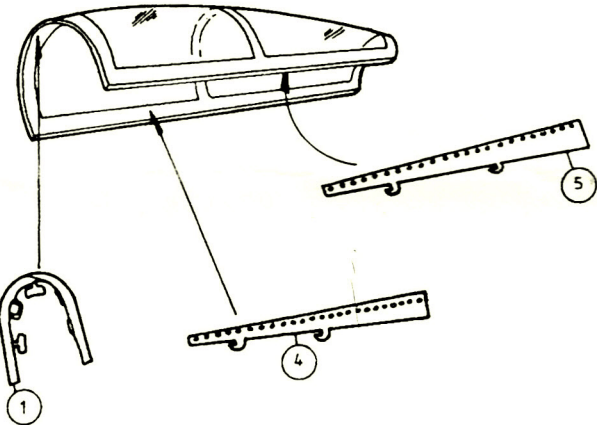
For assembly use superglue or epoxy using only epoxy on transparencies. Before painting, ensure that parts are fully defatted by cleaning in washing up liquid and rinsing in clean water. Dry parts thoroughly and prime with self etching primer or matt enamel paint. Position of parts in diagrams is for guidance only. Colouring and final positioning, consult reference material.

G HANNANT LTD Harbour Road, Oulton Broad, Tel 01502 517444
Lowestoft, Suffolk, NR32 3LZ Fax 01502 500521

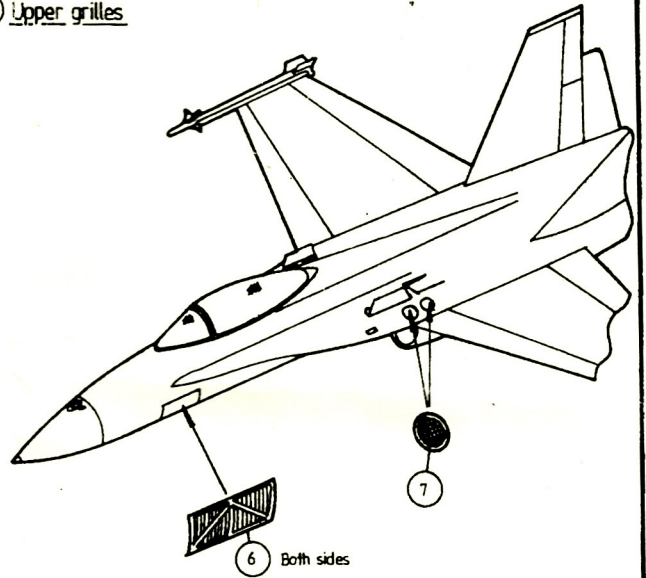
1 Single seat canopy



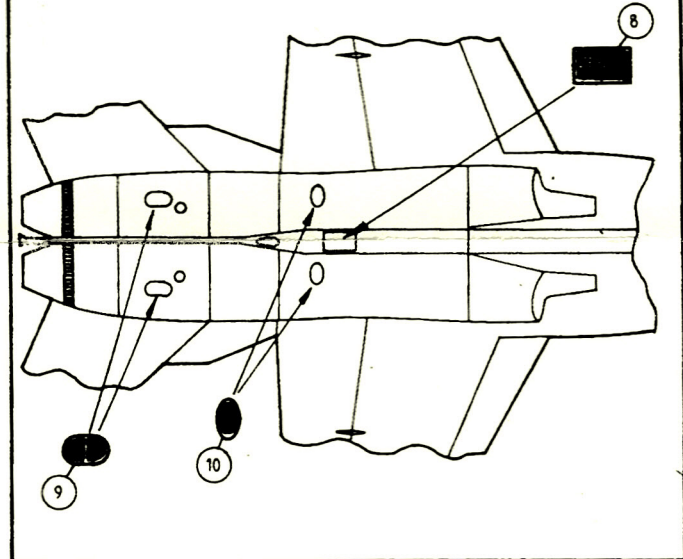
2 Two seat canopy



3 Upper grilles



4 Lower grilles



5 Frame layout

