

The preparation of the surface prior to the application of the **HGW Positive Rivets**:

- The HGW Positive Rivet technology has been tested on Gunze brand paints and preparations.
- Carry out a test (not on the model), if you are applying to paint made by a different manufacturer.
- No matter whether you are applying the transfer onto surfacer* or paint, go over the surface with a sand paper of a grade from 4-6 000 (surfacer) or 6-8 000 (paint).
- Naturally, it is also essential to ensure that the base is clean, grease-free and clear of dust.

*If you're applying onto black surfacer, we recommend to use Mr. Metal Primer (MP 242) before rivets.

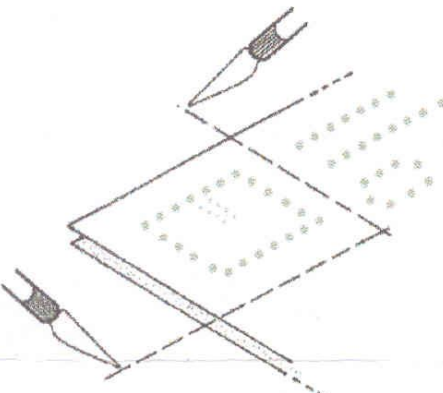
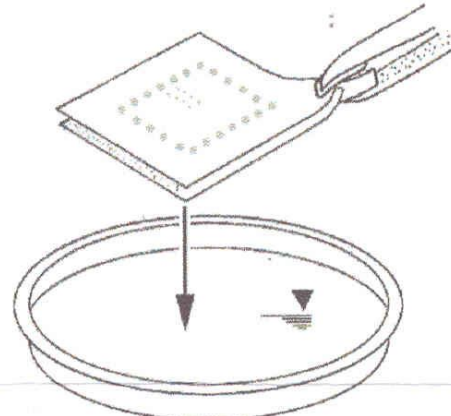
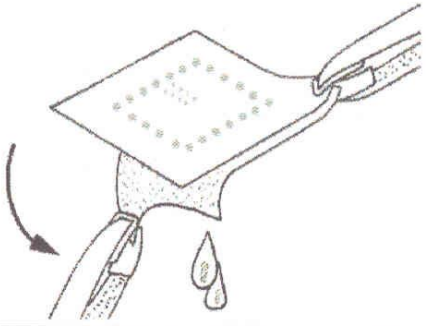
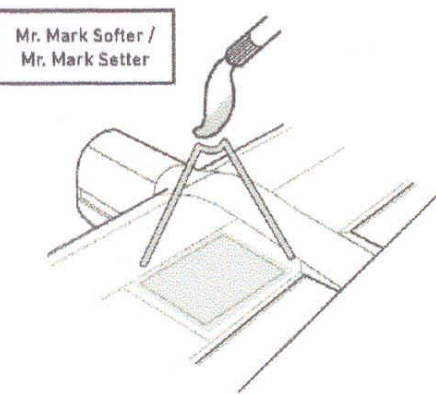
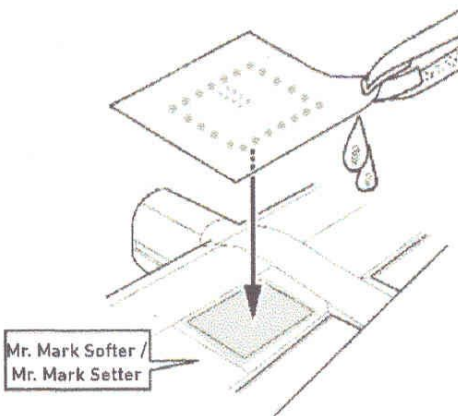
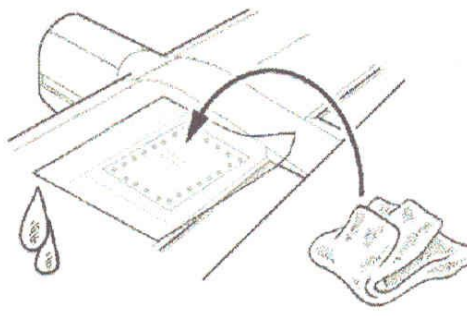
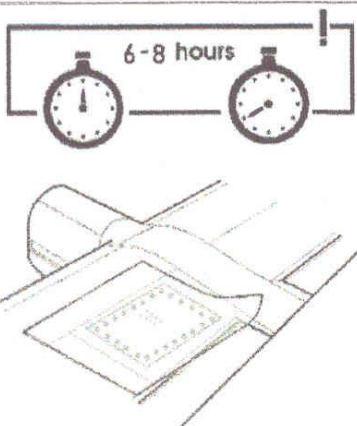
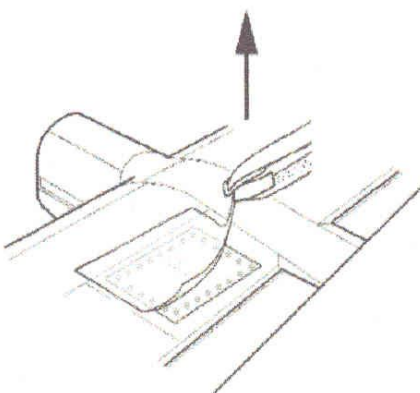
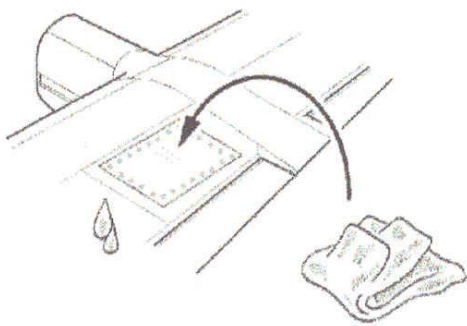
You will need:

- a scalpel,
- sharp tweezers,
- the Mr. Mark Softer / Setter product by Gunze,
- a cotton bud and a clean cloth.

An HGW tip:

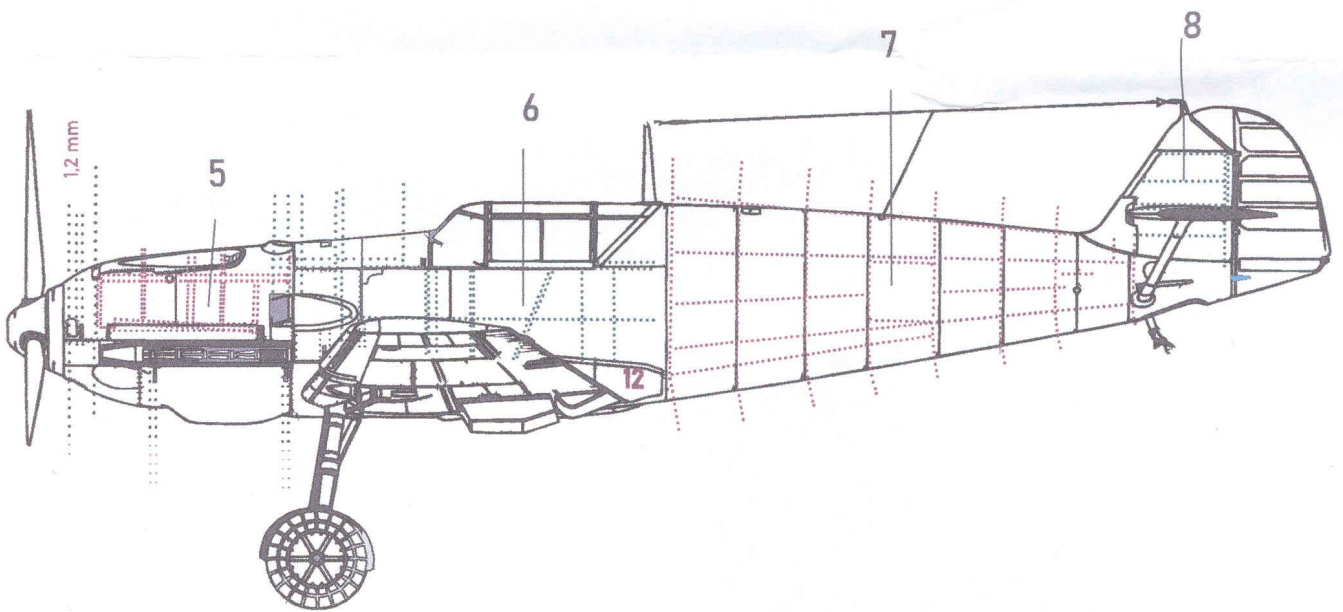
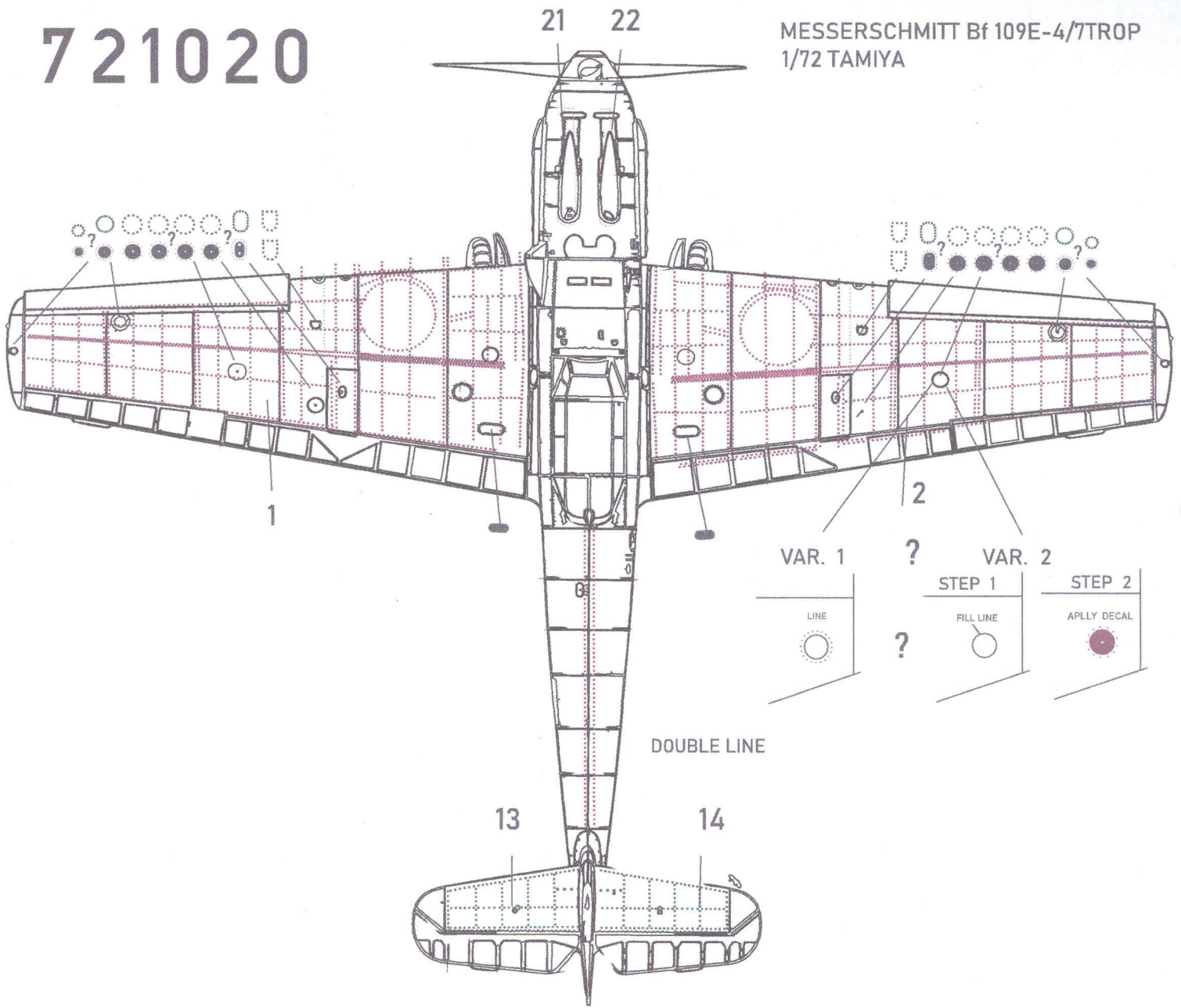
Apply the rivets under the final coat of paint. We then recommend the light sanding of the painted model so that the rivet heads emerge optically at the appropriate places. The resulting effect can be further enhanced with patina preparations.

HGWMODELS.CZ

<p>1 Cut out the required design using a sharp scalpel.</p> 	<p>2 Soak the base paper in warm water (approx. 20 sec).</p> 	<p>3 Remove the transfer from the base paper.</p> 
<p>4 Apply a layer of Mr. Mark Softer or Mr. Mark Setter on the surface where you intend to apply the transfer.</p> 	<p>5 Place the transfer in the required position on the layer of Mr. Mark Softer or Mr. Mark Setter.</p> 	<p>6 Carefully press out any excess liquid and bubbles. (Use the cloth and the cotton bud.)</p> 
<p>7 Ideally, leave it to dry for 6-8 hours.</p> 	<p>8 Carefully remove the transparent transfer film.</p> 	<p>9 Clean off any traces of transfer glue with a wet cloth.</p> 

721020

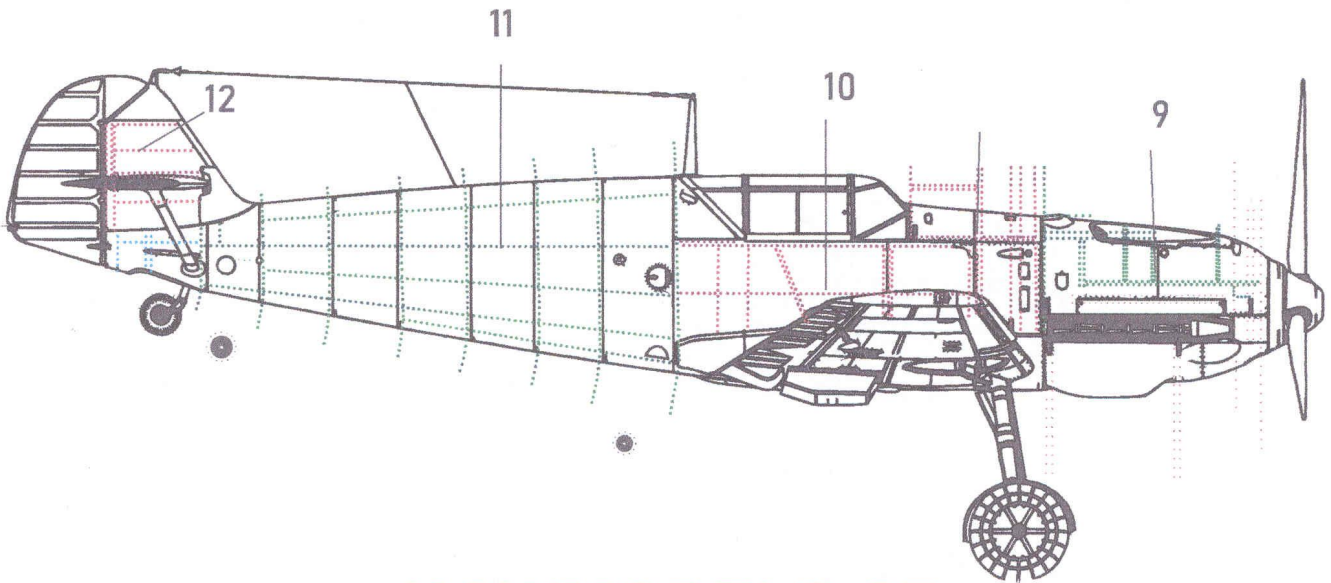
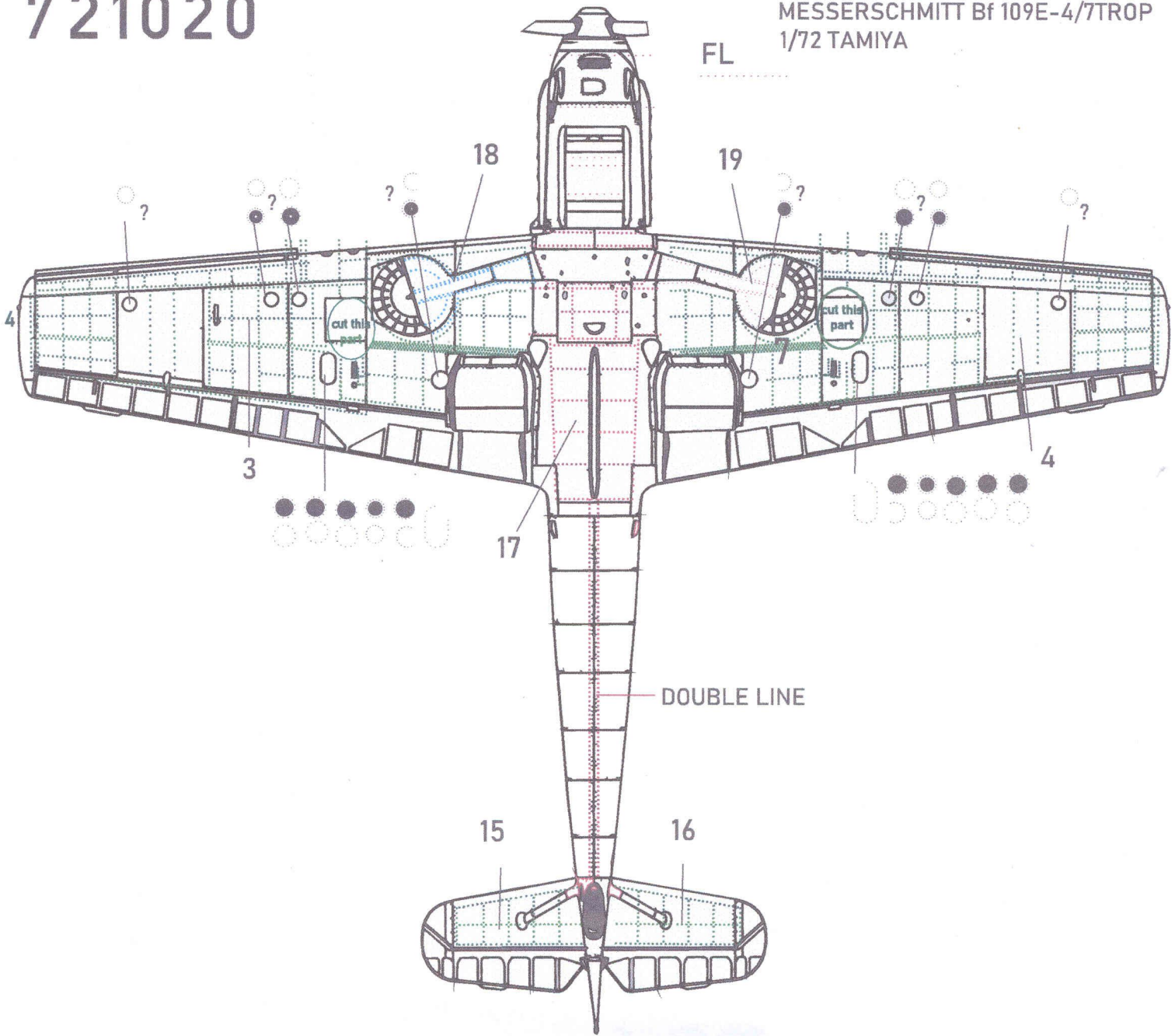
MESSerschMITT Bf 109E-4/7TROP
1/72 TAMIYA



HGW MODELS.CZ

721020

MESSERSCHMITT Bf 109E-4/7TROP
1/72 TAMIYA



HGW MODELS.CZ