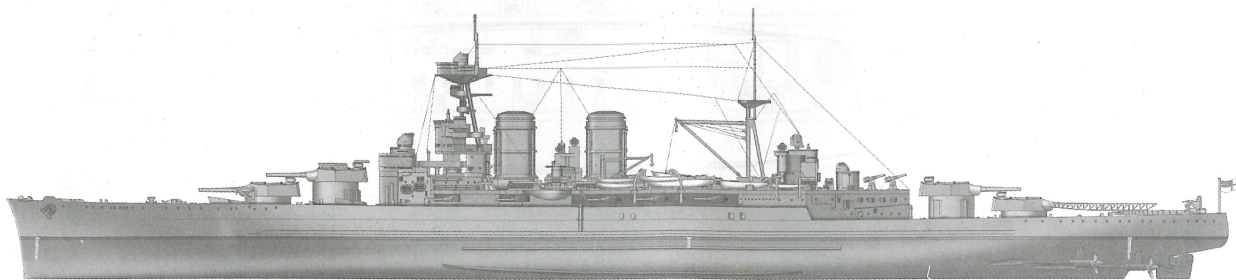






## H.M.S HOOD 1931

## 英国皇家海军胡德号战列巡洋舰1931年



## READ BEFORE ASSEMBLY:

- This kit is not recommended for inexperienced modelers or for children under 14 years of age
- Study and understand these instructions thoroughly before beginning assembly
- When needed, remove photo-etch parts carefully using a modeling knife or photo etch sprue cutter, being careful not to damage or lose small parts.
- Take extra care in handling photo etch parts in order to avoid injury
- Apply instant cement sparingly to photo etch parts where instructed
- Tools recommended(not included in kit):Plastic and instant cements, sprue cutters,long nose pliers,modeling knife, small files, tweezers, pin vise & scissors. Soft cloth and sandpaper will also assist in construction
- Glue and paint are not included in the kit. Use plastic cement and hobby paints only. Color guide for purchasing paint is included in the kit.
- Keep out of reach of children. They must not be allowed to ingest small parts or handle plastic bags in any way.

## 装配之前仔细阅读

- 小心用模型锉刀锉平所有零件表面的注射浇口。
- 小心用刀片切下蚀刻片零件，不要遗失小零件。
- 用强力快干胶水粘合蚀刻片零件和金属轴。过量快干胶水使用可能导致可动零件会粘住，小心涂胶。
- 取蚀刻片时应特别注意安全，防止利边划伤手指。
- 某些零件表面需贴上水贴纸，请选择在装配的同时进行。
- 推荐模型工具(自备)：胶水，水口剪刀，长咀钳，刀片，锉刀，镊子，钳，钻，剪刀，瞬间快干胶。
- 软布同砂纸同时也应该是必备工具。
- 请使用塑料胶水和油漆，模型内不含。
- 谨防小孩吸吮塑料零件，或者将塑料袋套在头上，制作时应将套材远离小孩接触。
- 本产品不适合14岁以下没有经验的模型爱好者。

配重  
Weight使用强力胶  
Cyanoacrylate glue钻孔  
Make hole切除  
Cut / Remove贴纸  
Decal锉平  
File / Sand选择  
Option不涂胶水  
No cement弯曲  
Bend

## 水贴纸的使用:

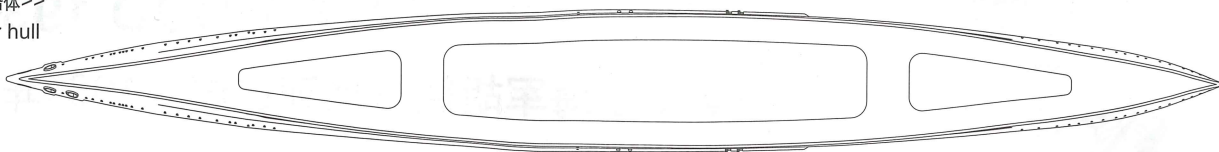
- 1.从水贴纸上剪下印花;
- 2.将印花放入温水中浸10秒,然后放在干净布上。
- 3.拿着印花纸板将印花移到模型上;
- 4.手指蘸水将印花移到适当的位置;
- 5.用软布轻压印花直至水干, 气泡消失。

## DECAL APPLICATION

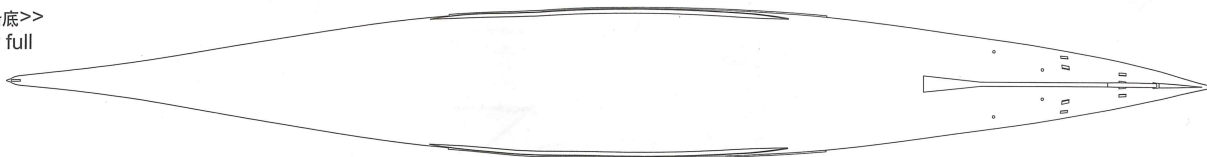
- 1.Cut decals from sheet as needed
- 2.Dip the decal in warm water for about 10 seconds and then place on soft clean cloth.
- 3.Hold the decal backing sheet edge and gently slide the decal onto the model in its proper position.
- 4.While still wet,decal can be adjusted for better fit on model by dampening it gently with your finger.
- 5.When placed in the proper position,gently press decal down with a soft cloth until excess water and air bubbles are gone.
- 6.Allow decal to dry completely before handling model

# 部品图 Parts

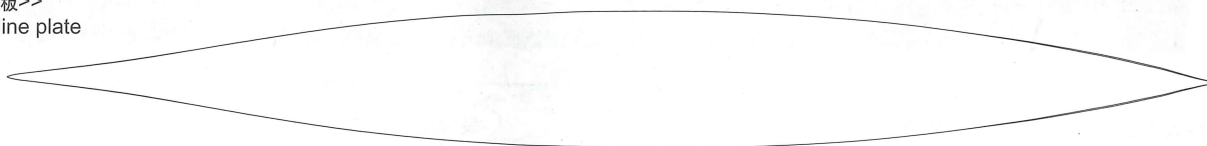
<<上船体>>  
Upper hull



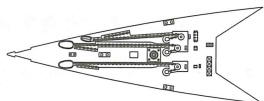
<<下船底>>  
Lower hull



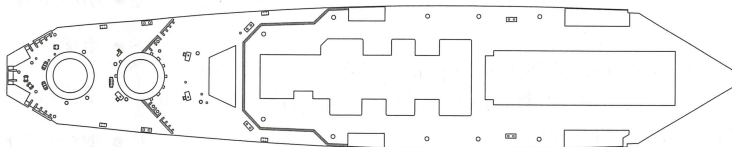
<<水线板>>  
Waterline plate



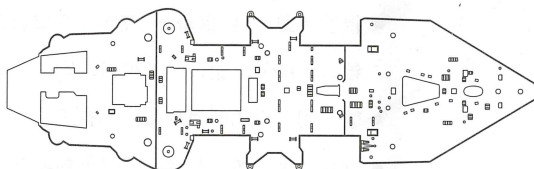
<<前甲板>>  
Fore deck



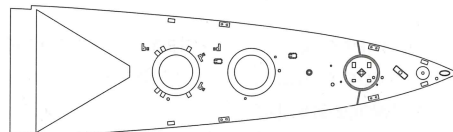
<<中甲板>>  
Center deck



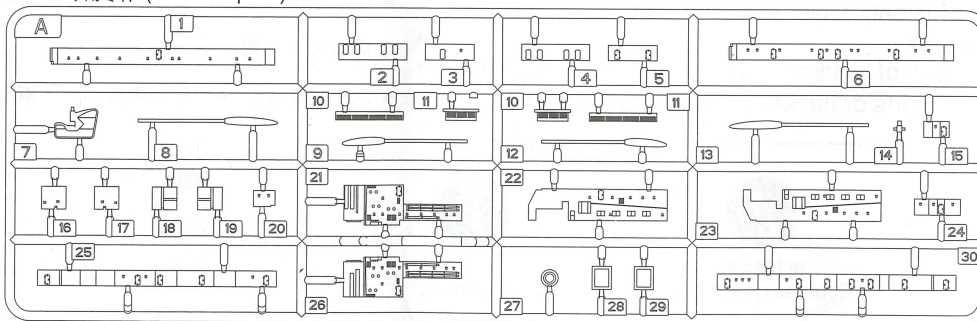
<<上层甲板>>  
UP deck



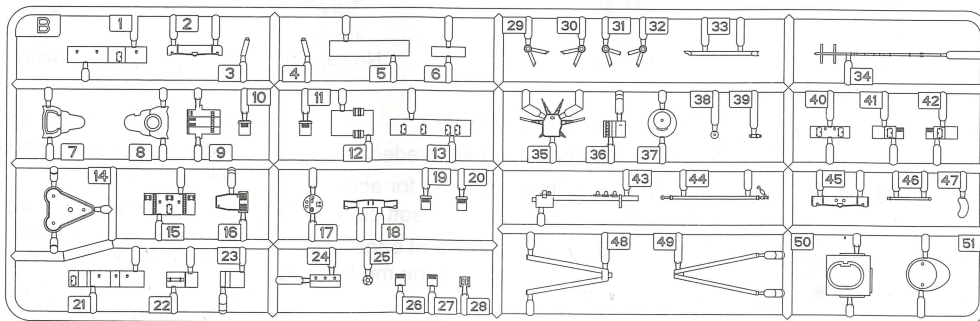
<<后甲板>>  
Rear deck



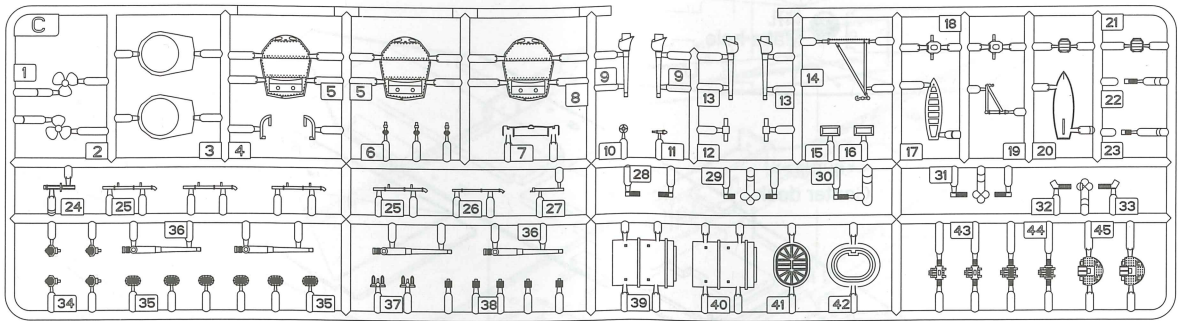
## A 不用零件 (No use part) A14



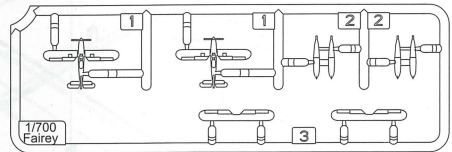
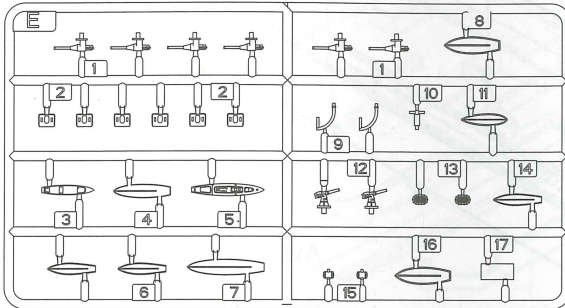
## B



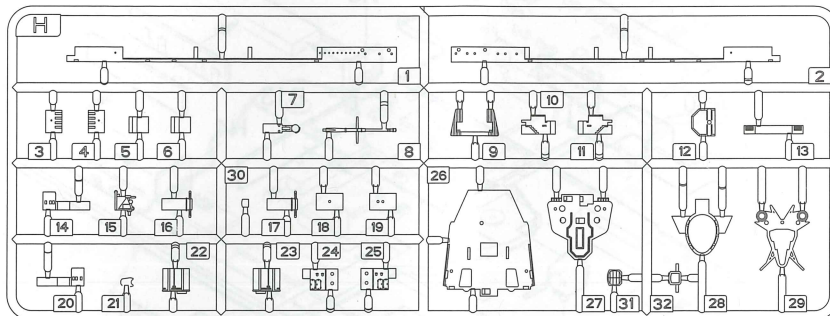
C×2 不用零件 (No use part) C18, C21



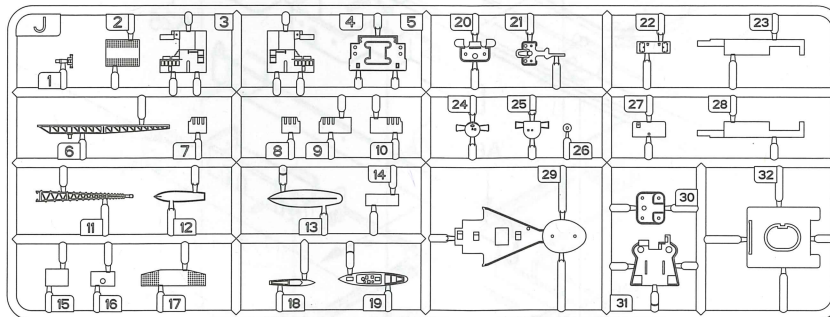
E×2



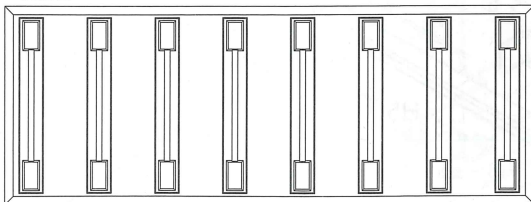
H



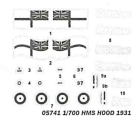
J



<<座架>>  
Stand



<<水貼>>  
Decal

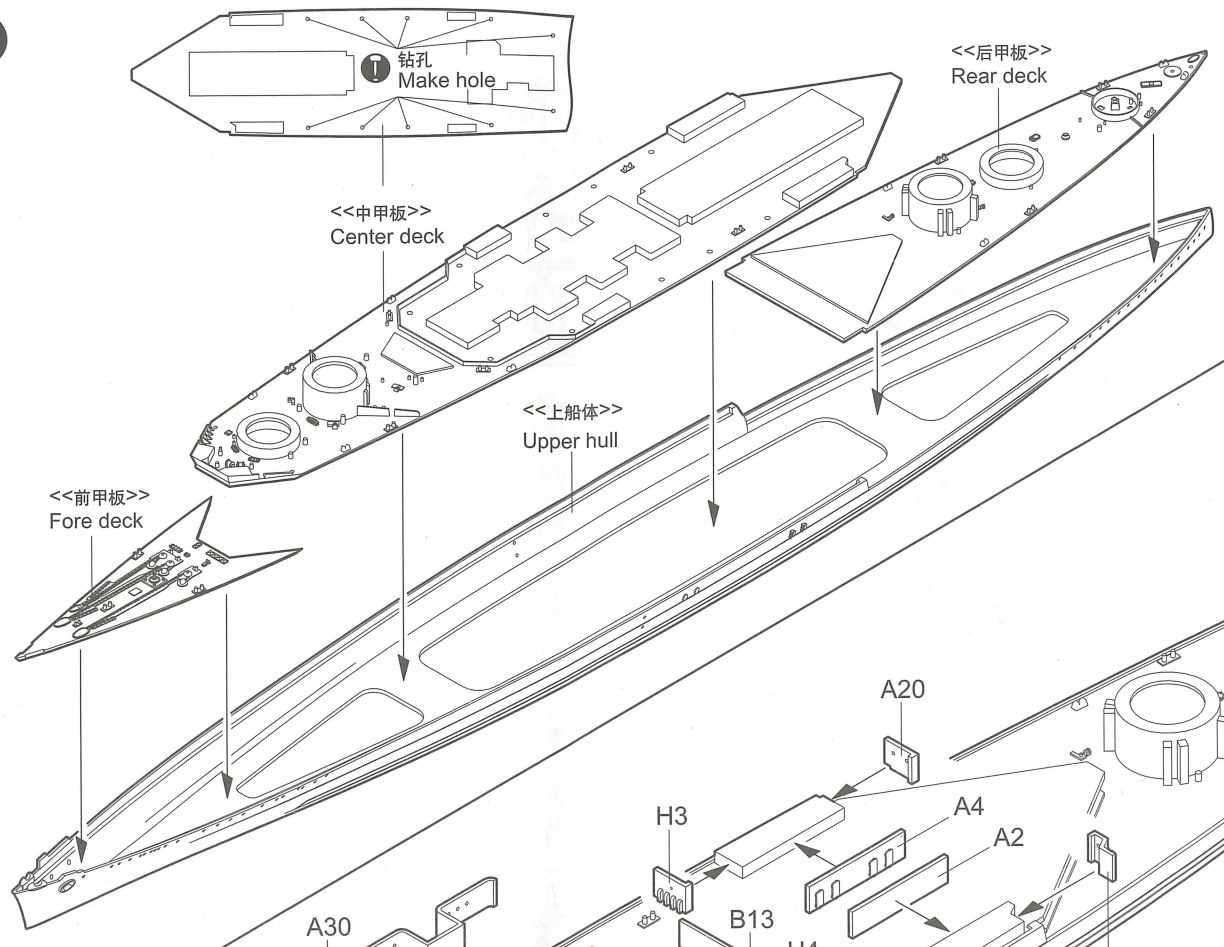


<<銘牌>>  
Nameplate

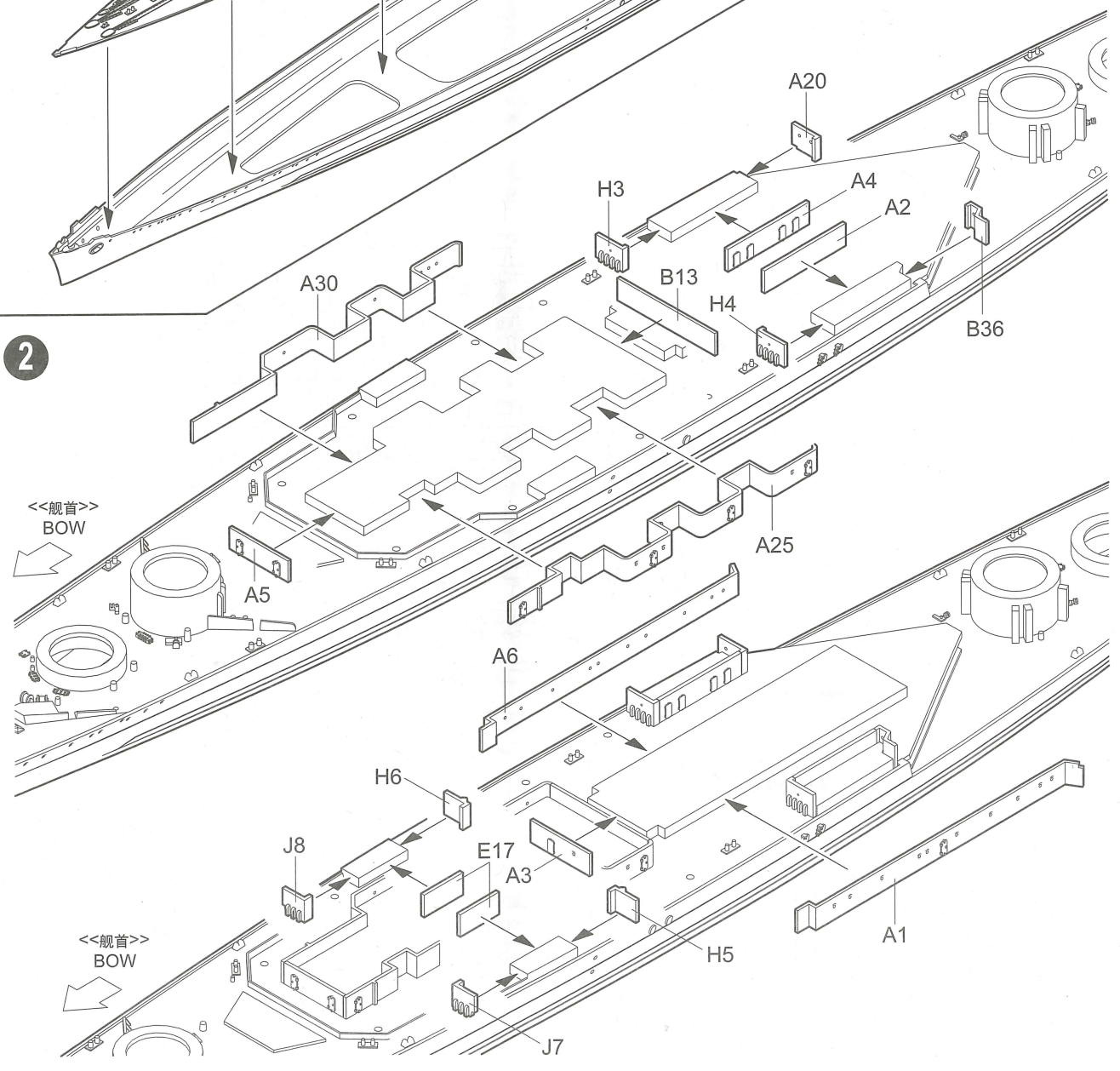




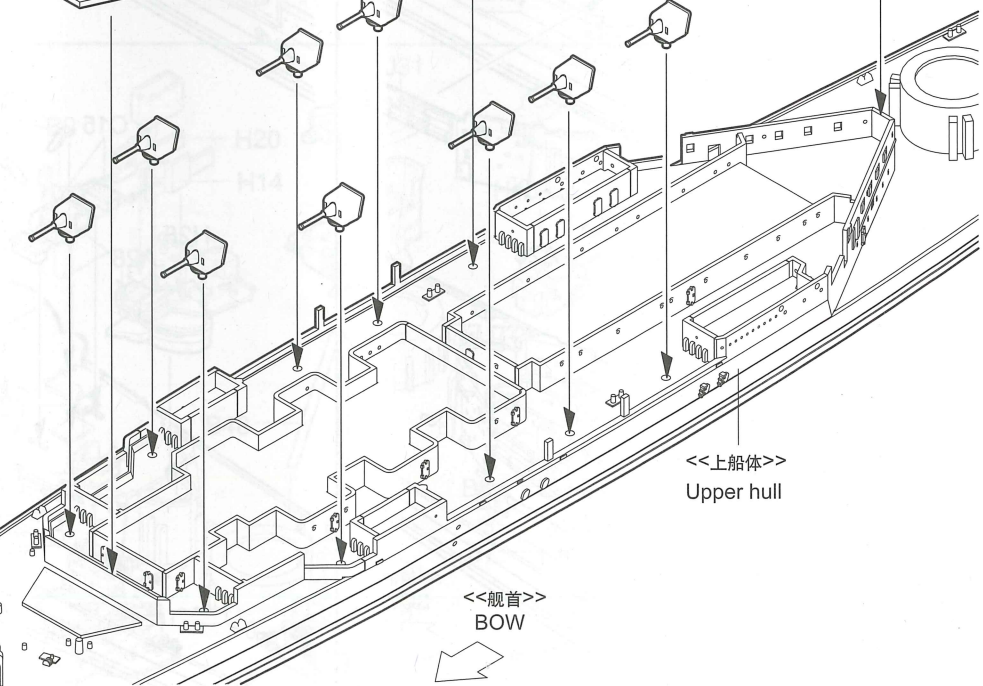
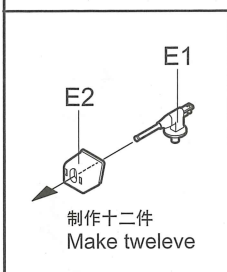
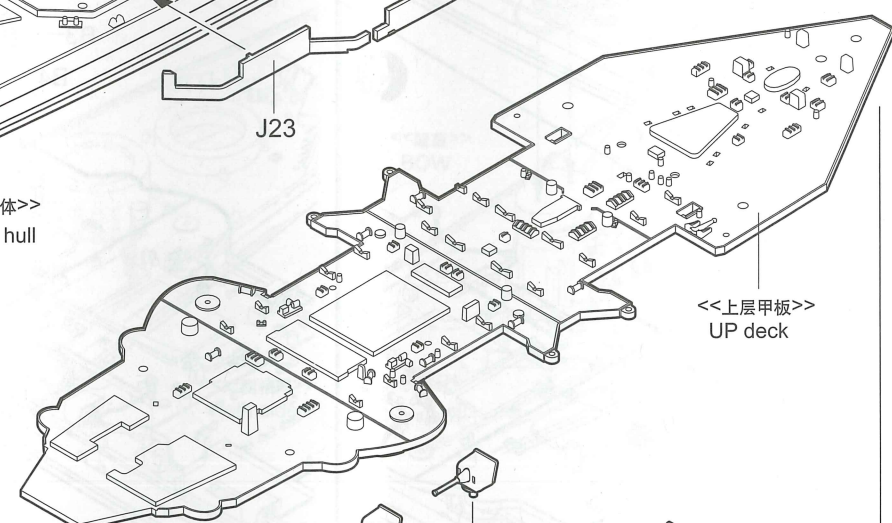
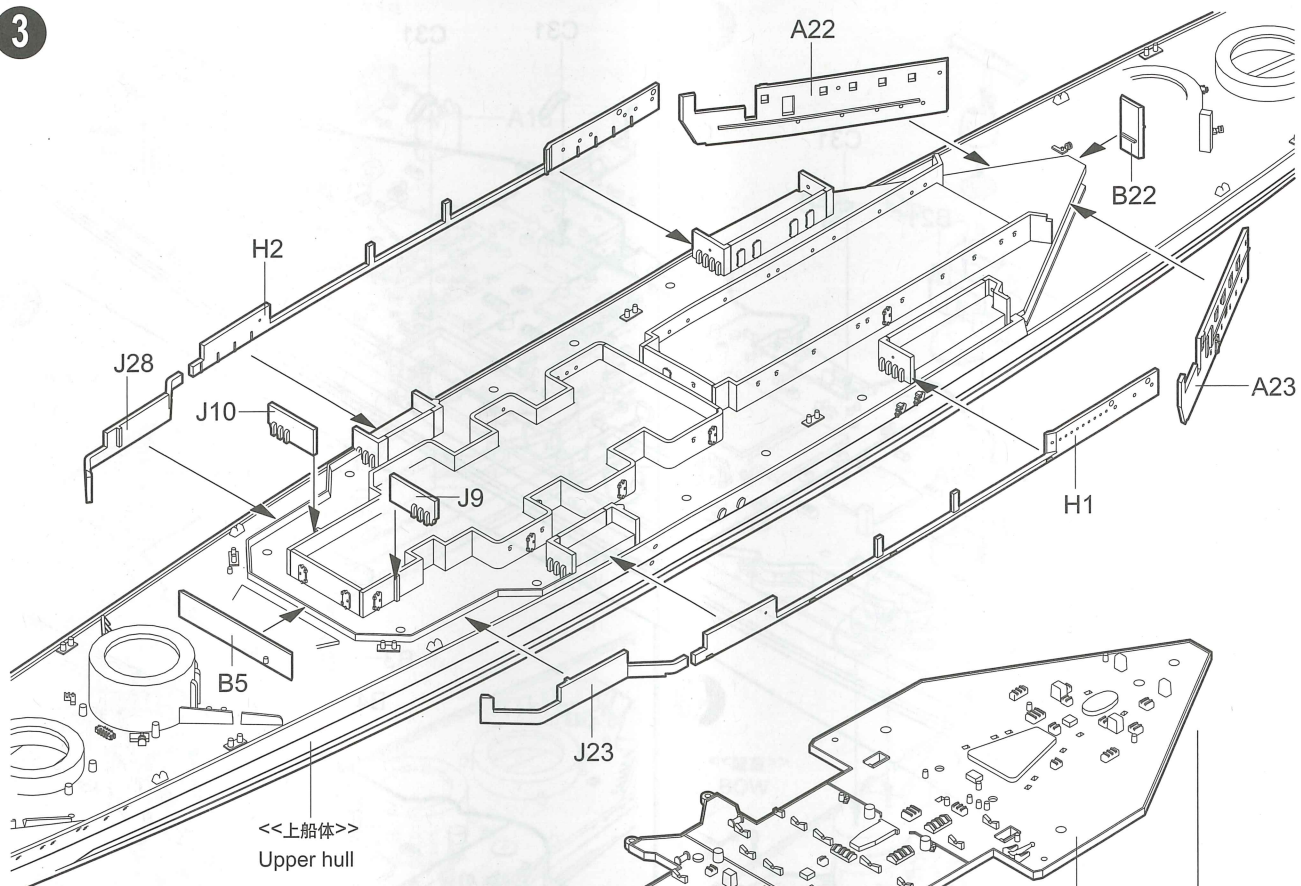
1



2

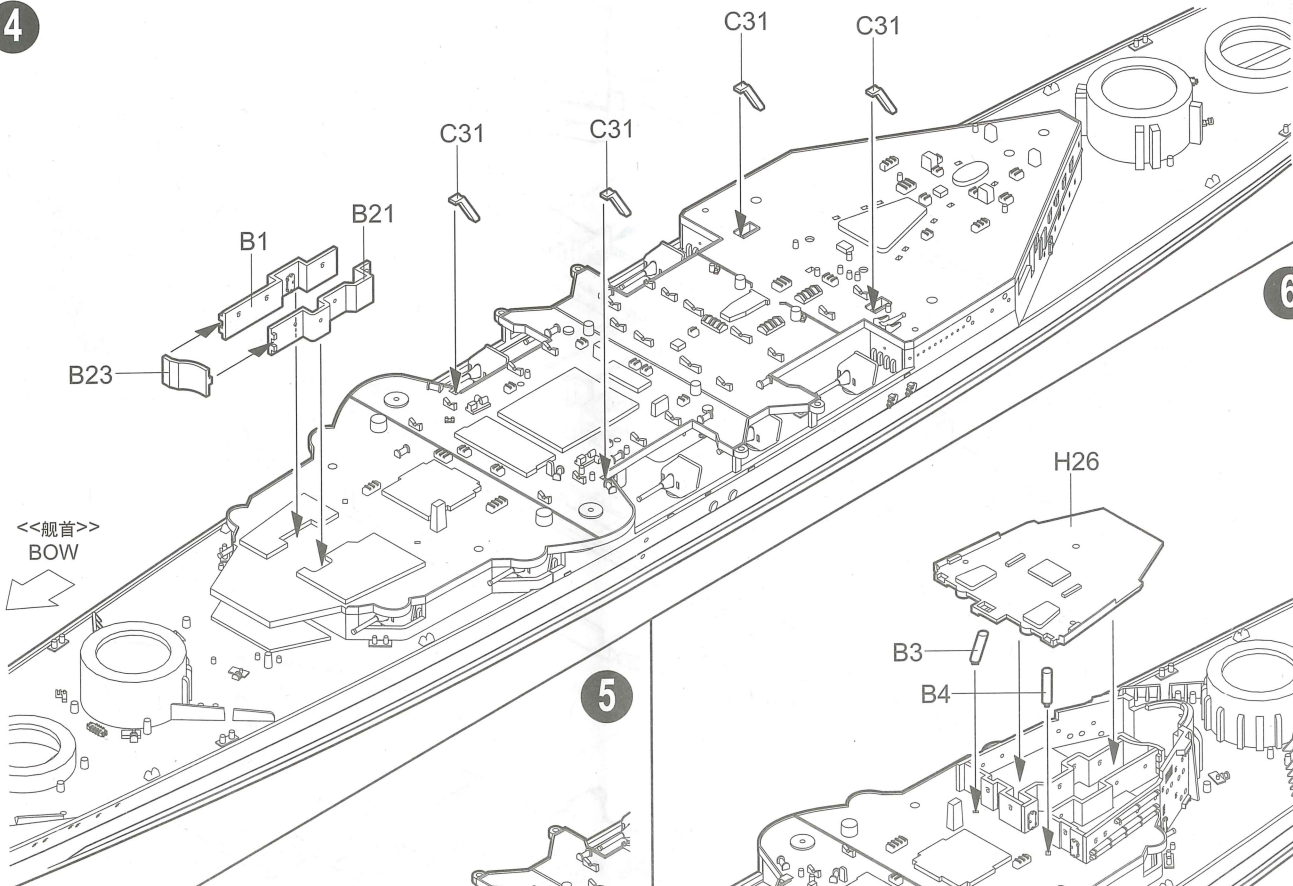


3



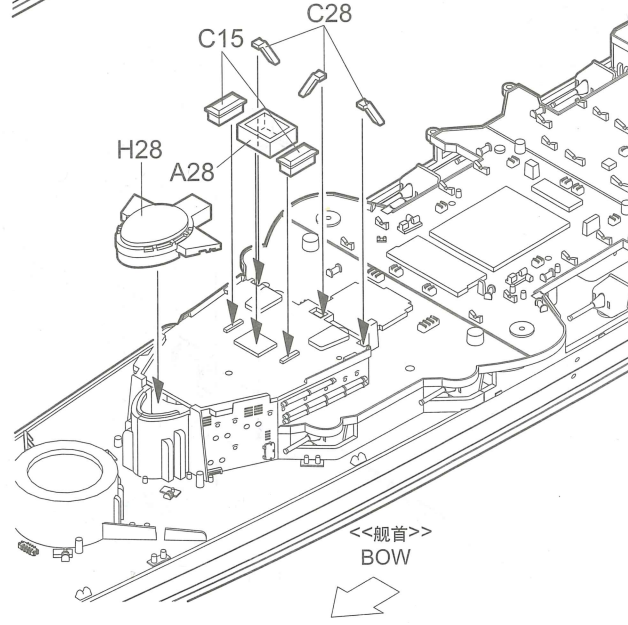
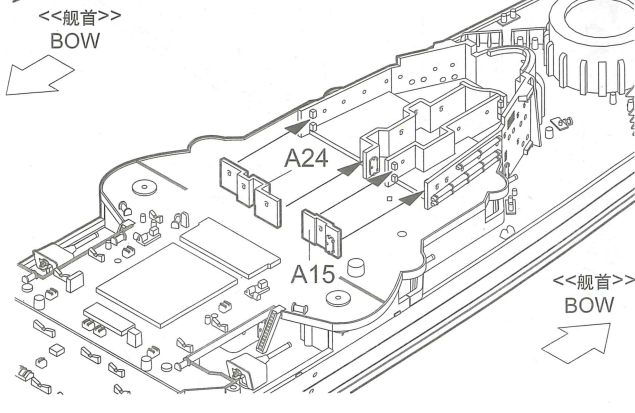
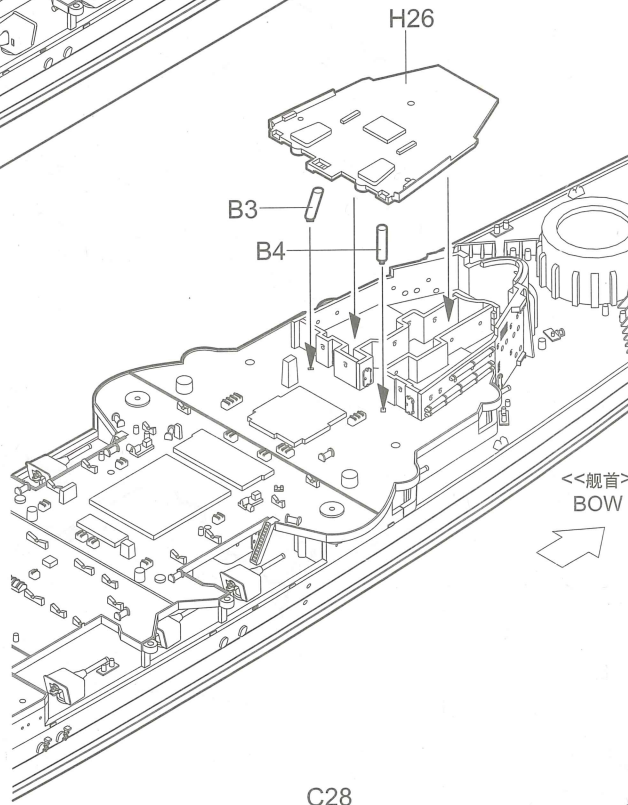
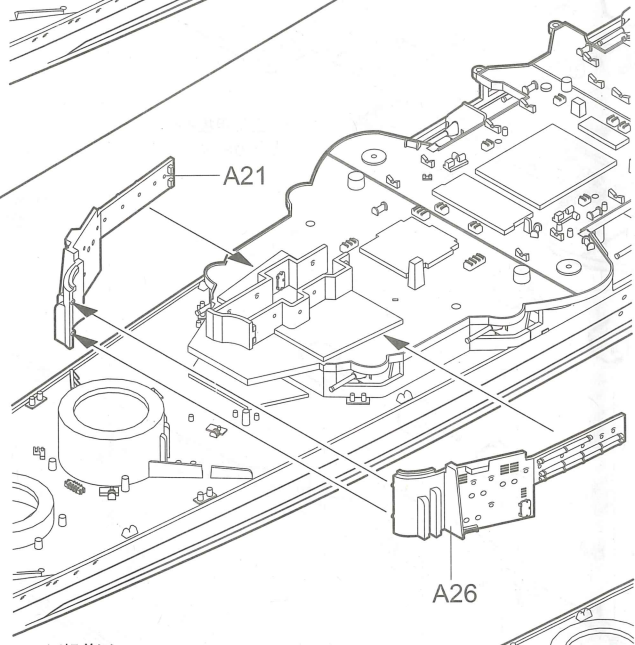


4

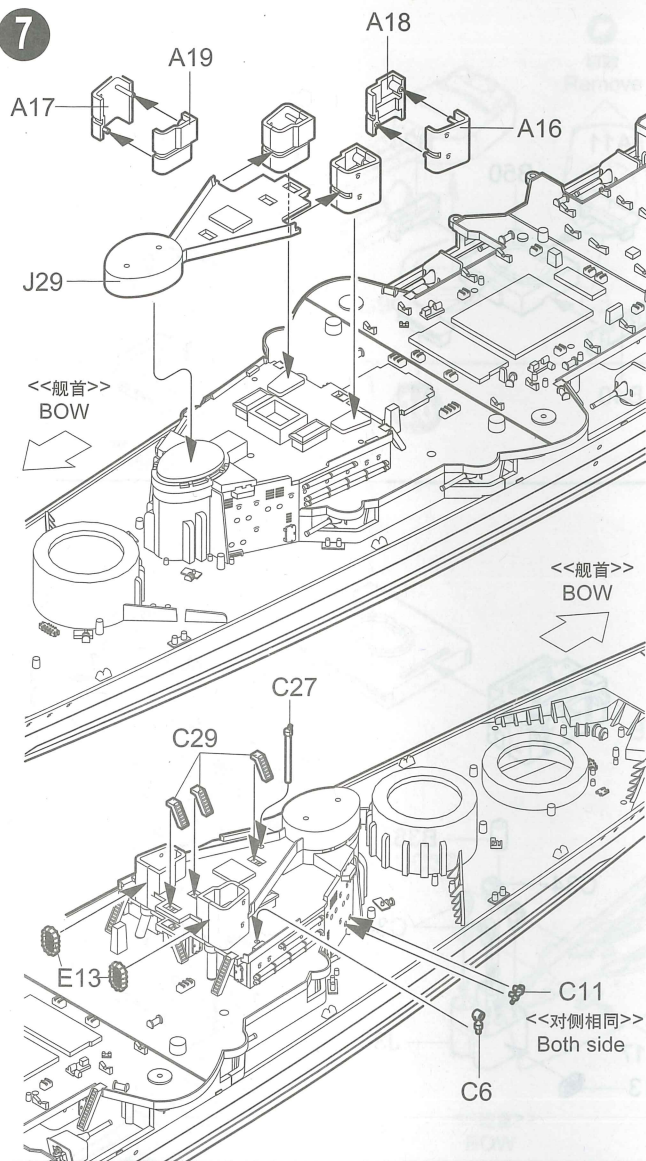


6

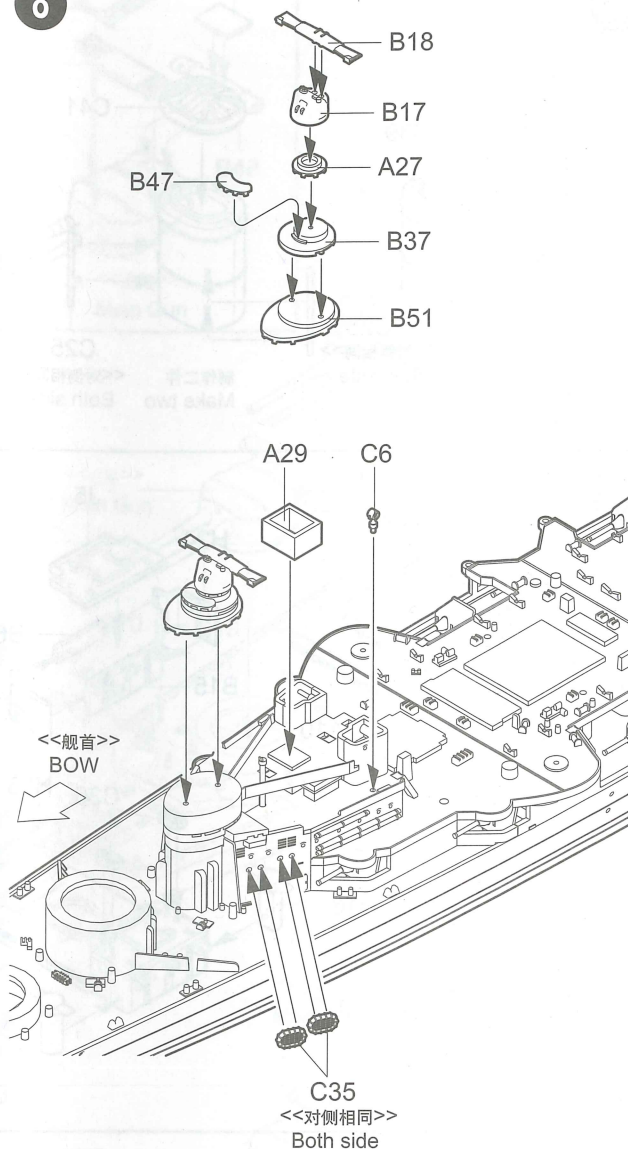
5



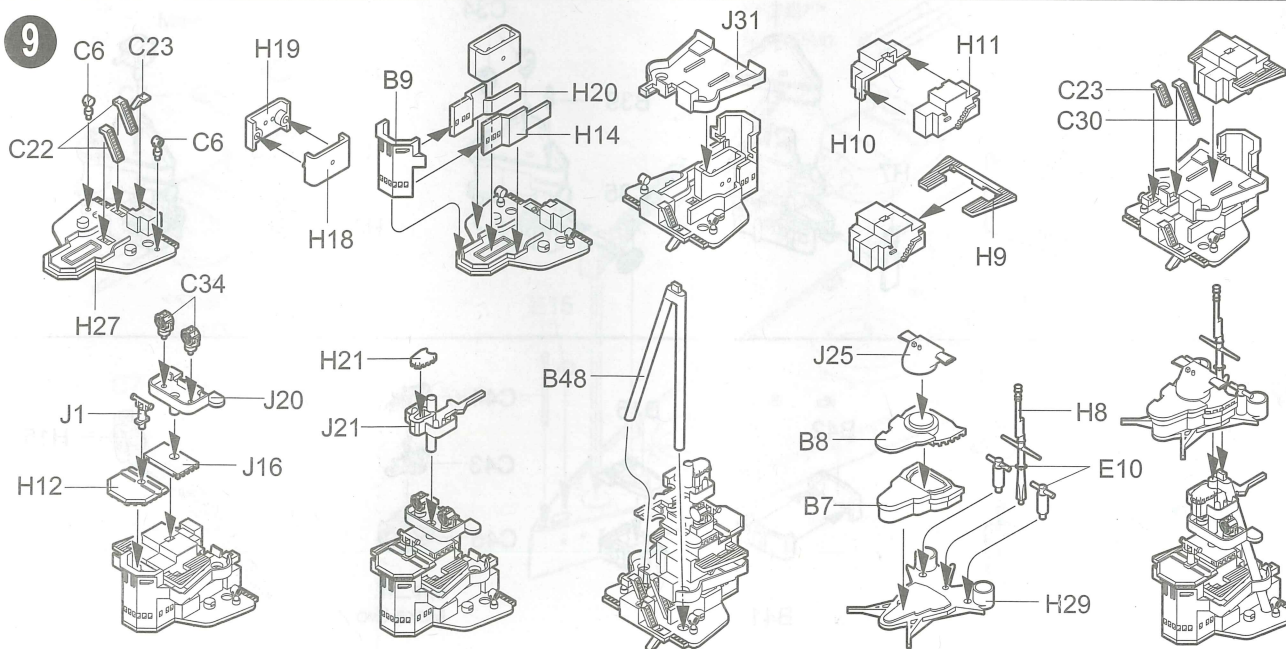
7



8

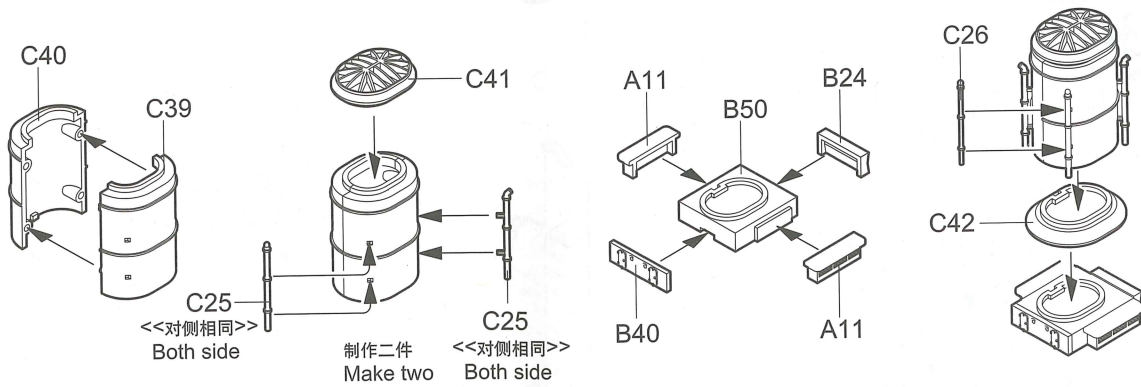


9

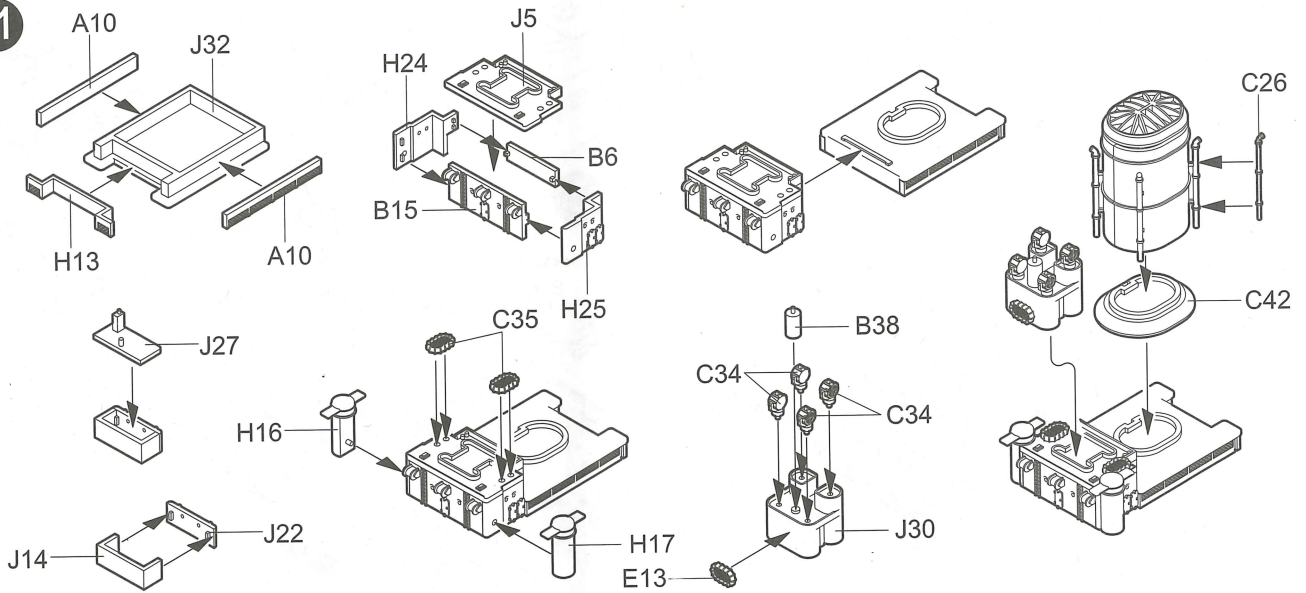




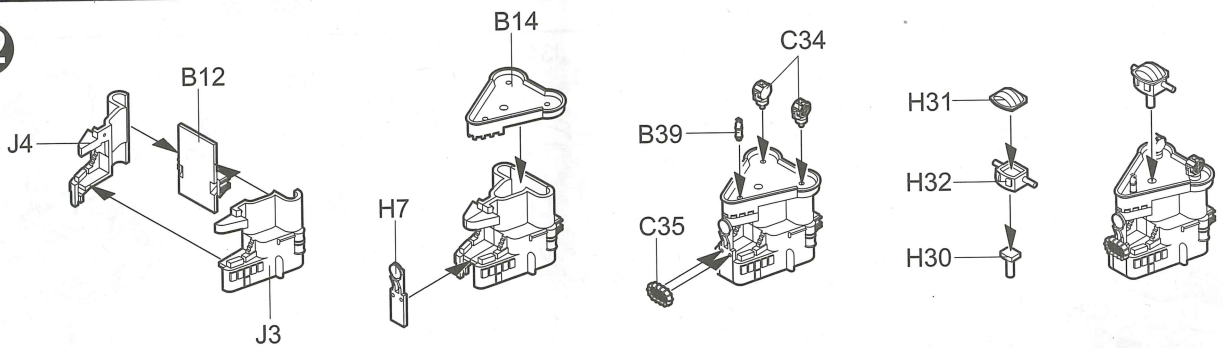
10



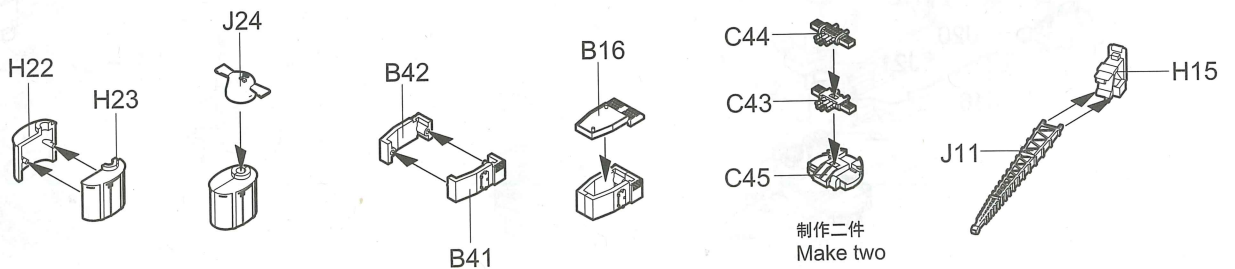
11



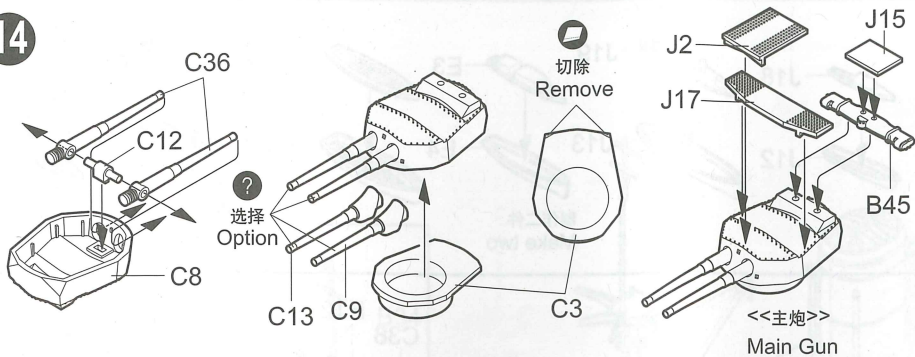
12



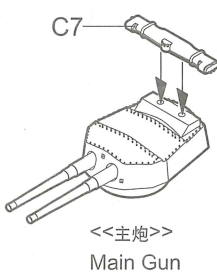
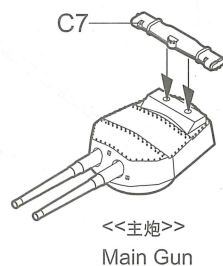
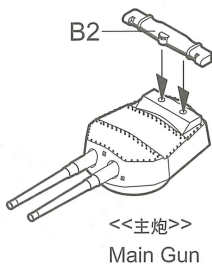
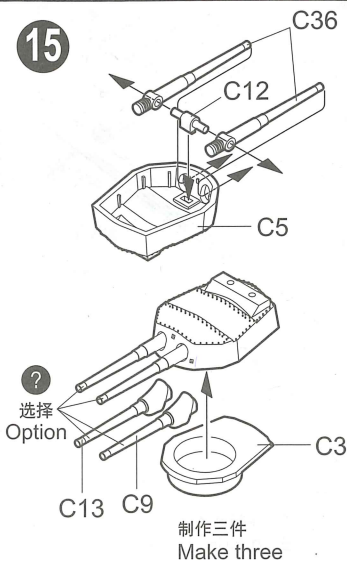
13



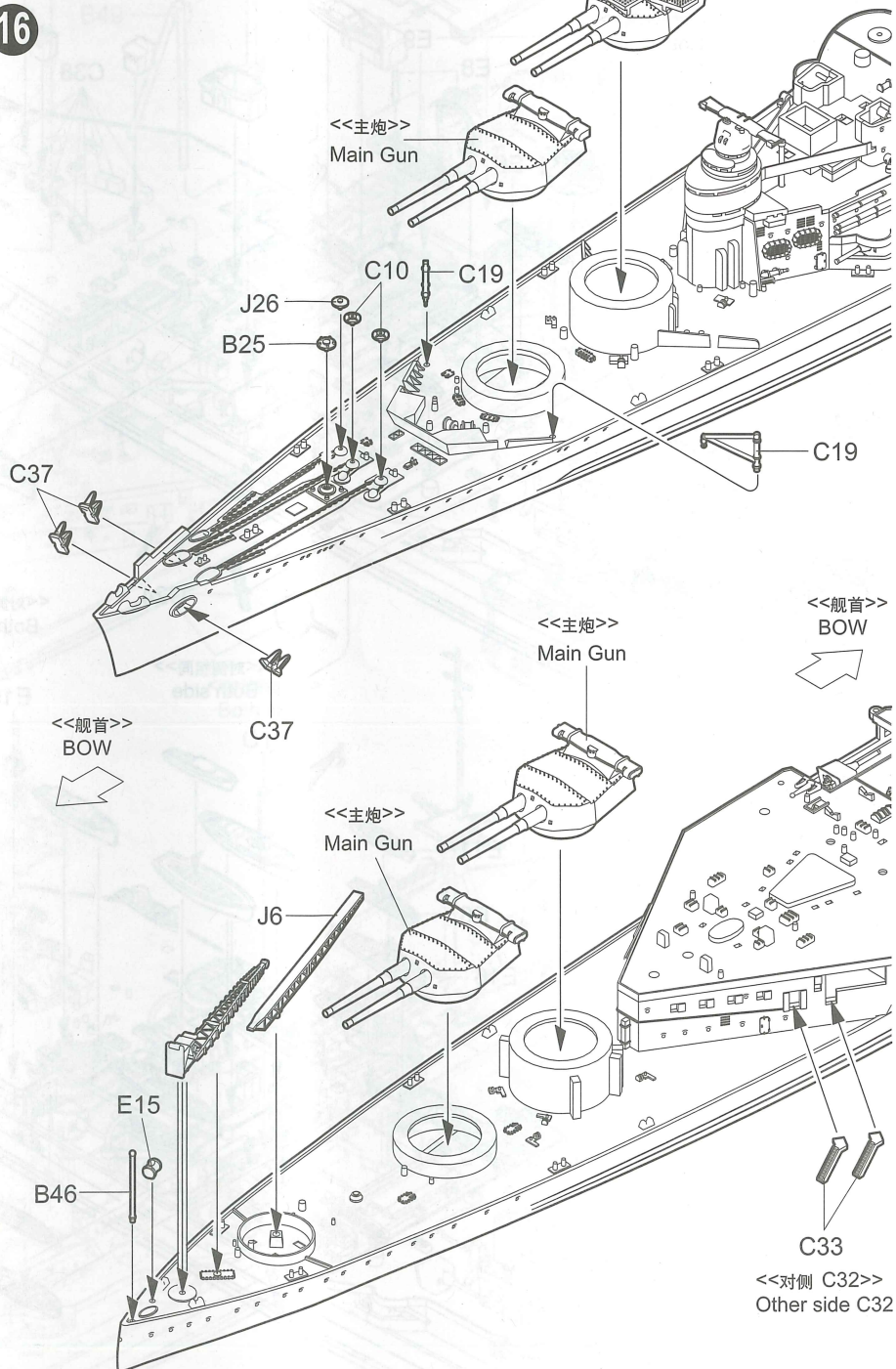
14



15

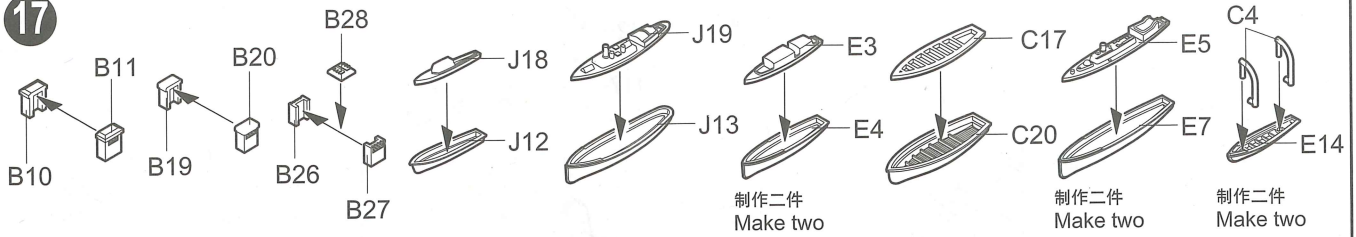


16

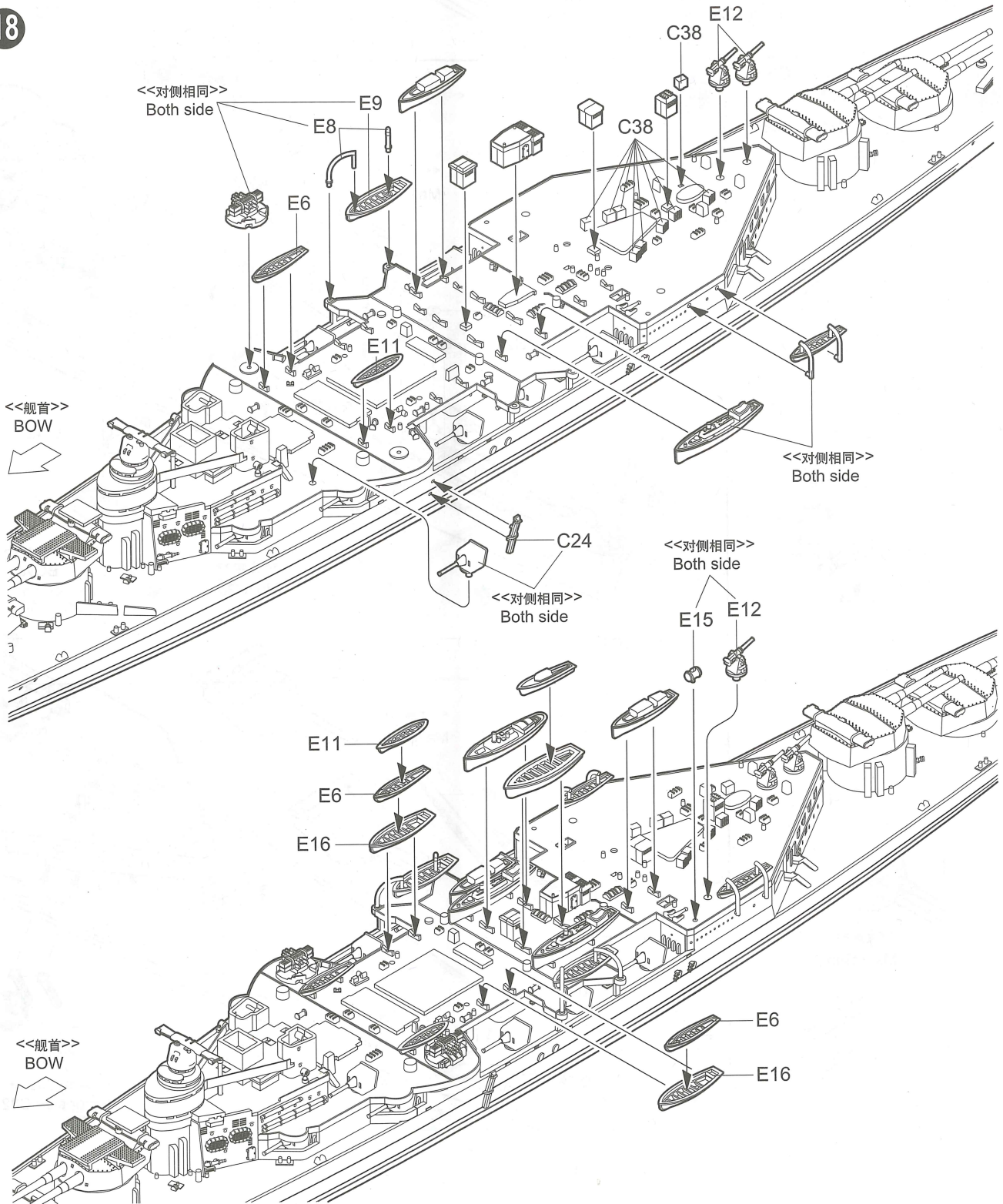


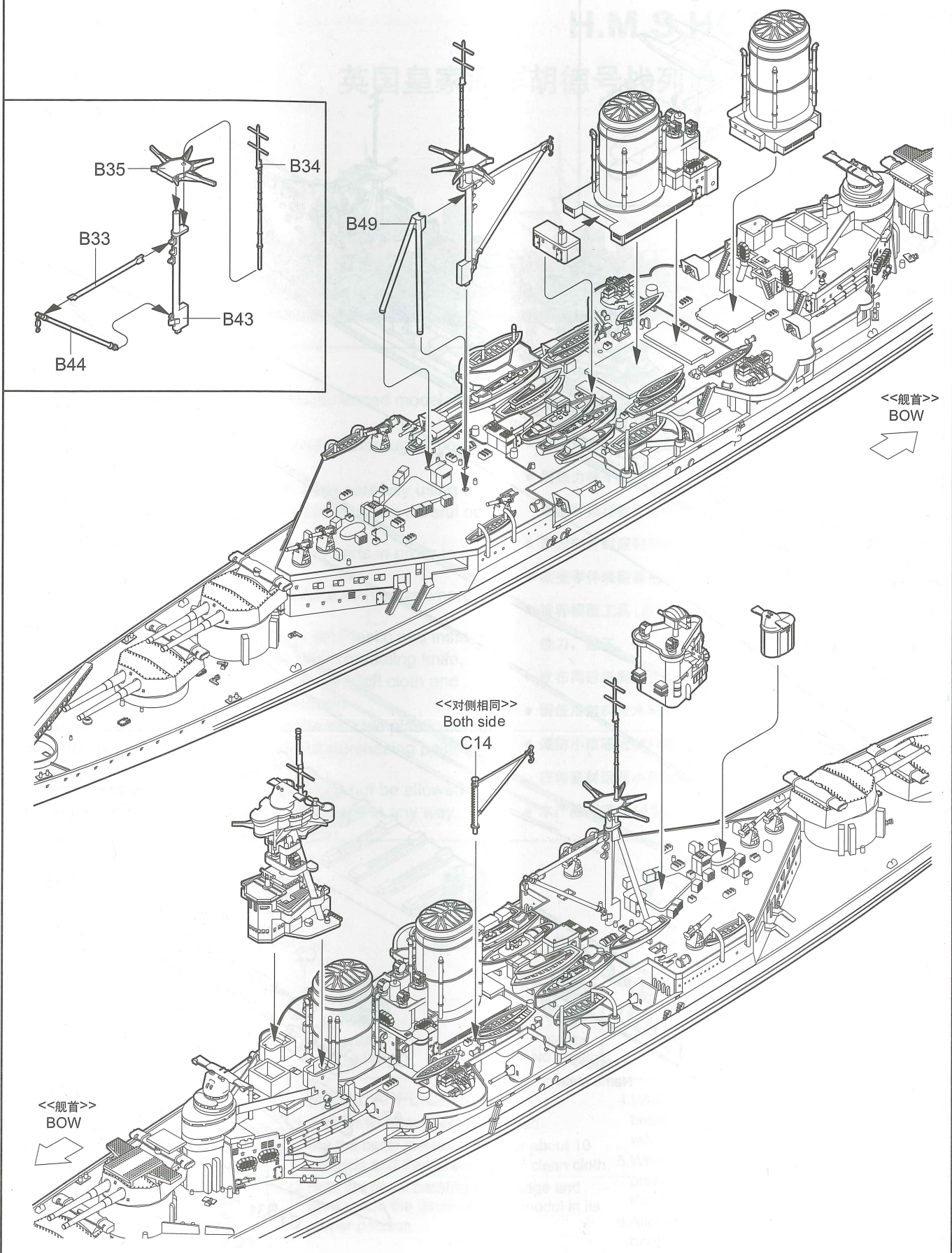


17



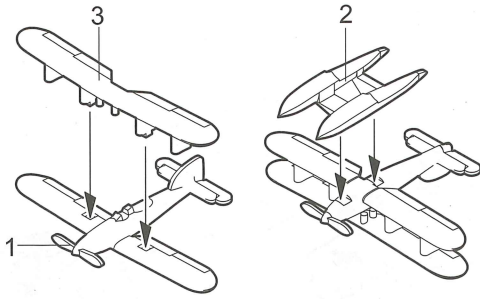
18



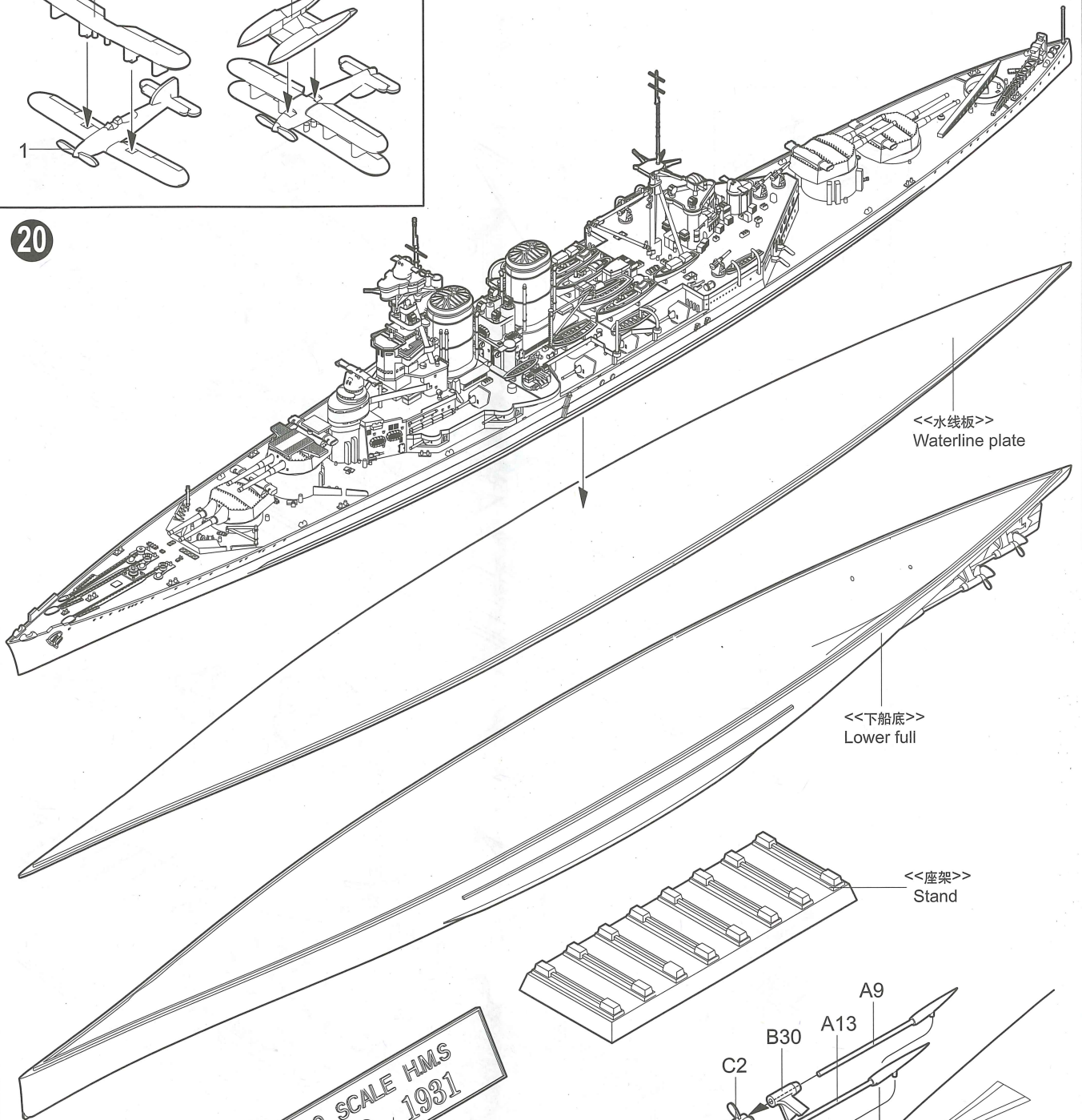




Assembly of Fairey



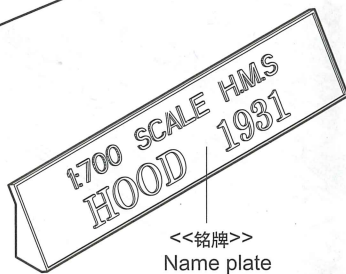
20



<<水线板>>  
Waterline plate

<<下船底>>  
Lower full

<<座架>>  
Stand



<<铭牌>>  
Name plate

