

1/35 Scale German Tank Sd.Kfz.173

ドイツ重駆逐戦車 Sd.Kfz.173 ヤークトパンター G2型w/ 可動式履帯
德国“猎豹”坦克歼击车G2型含可动式活动履带



JAGDPANTHER G2

ASSEMBLY ICONS



OPTIONAL
选择



CEMENT
膠水



DO NOT CEMENT
不使用膠水



INSTANT CEMENT
瞬間接著劑



BEND
彎折



MAKE 2
製作2組



OPEN HOLE
鑽孔



REMOVE
切除



BE CAREFUL
注意



APPLY DECAL
貼上水貼紙

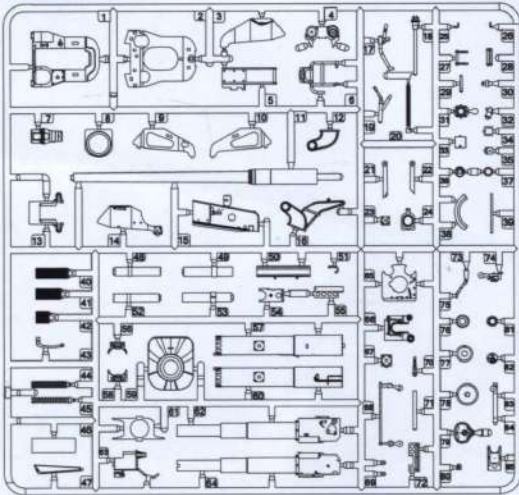
CAUTION!

Read carefully and fully understand the instructions before commencing assembly.
Supervising adult should also read the instructions if a child assembles the model.
When you used glue or paint, do not use near a naked flame, and use in a well-ventilated room.
When assembling this kit, tools including knives are used. Extra care should be taken to avoid personal injury.
Read and follow the instructions supplied with paints and/ or cement. Use plastic cement and paints only.
Keep out of reach of small children. Children must not be allowed to suck any part, or pull vinyl bag over the head.

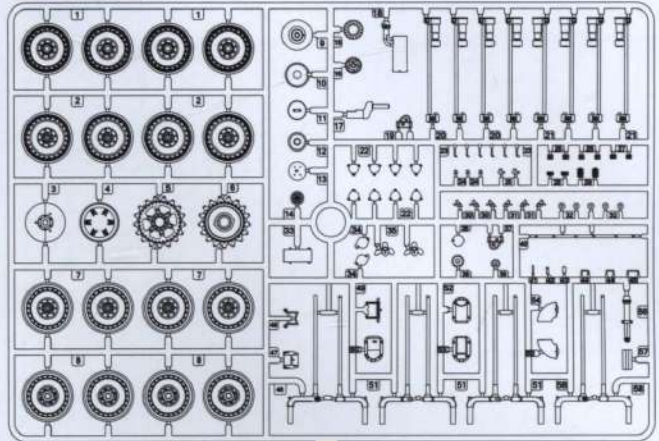
在裝配前仔細閱讀說明並完全理解。小孩裝配時需成人看護且需仔細閱讀說明。
使用膠水和油漆時，應遠離火源並打開窗戶保持空氣流通。
製作時請格外注意工具刀和零件的鋒利尖銳部分，避免對身體造成傷害。
在使用膠水和油漆前仔細閱讀注意事項，按照說明正確使用膠水和油漆。
請將本品放在兒童接觸不到的地方，套件中的塑膠包裝袋會對兒童造成窒息的危險。

PARTS 部品图

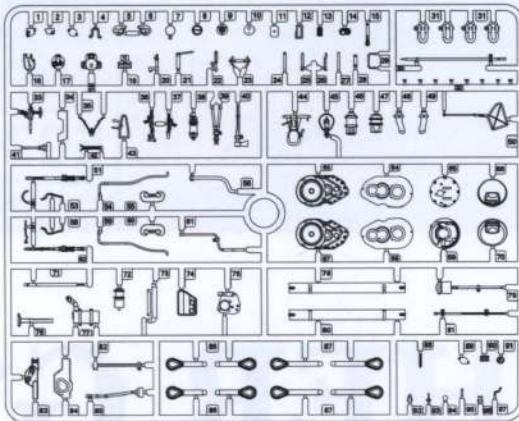
A 1piece



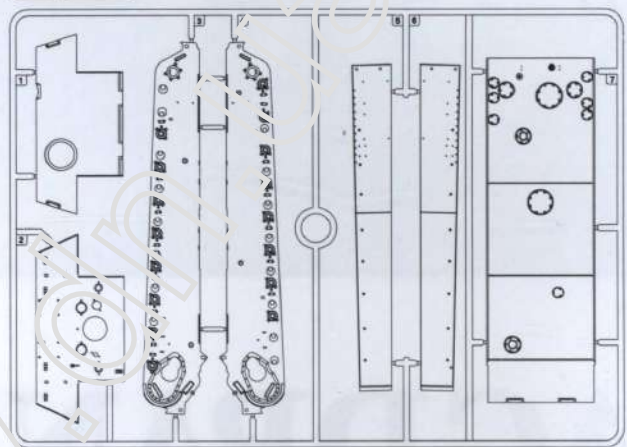
C 2pieces



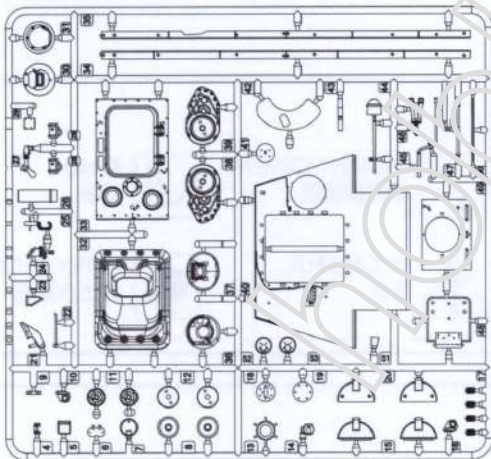
J 1piece



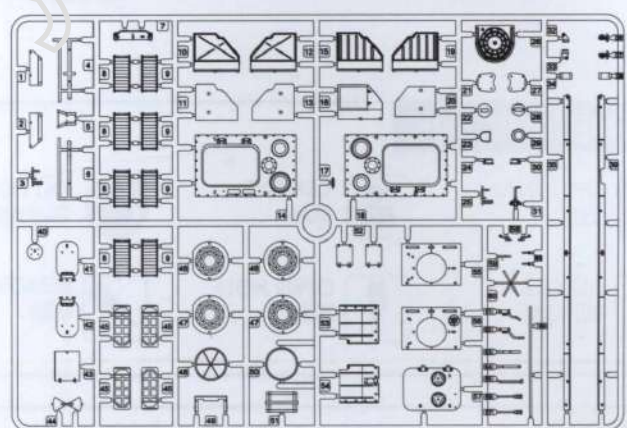
F 1piece



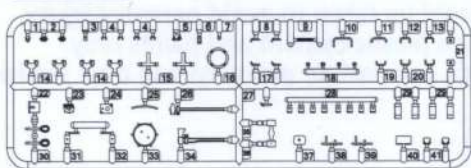
N 1piece



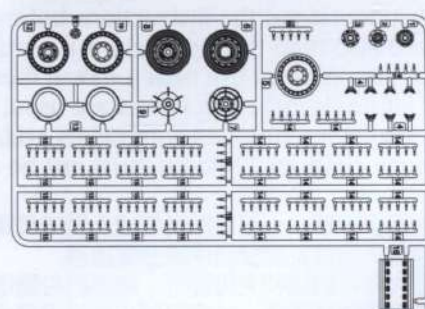
M 1piece



L 1piece

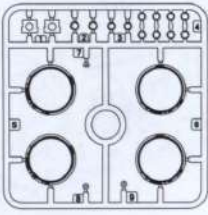


X 2pieces

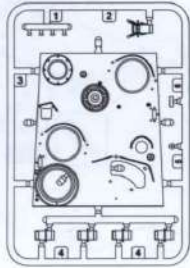


PARTS 部品图

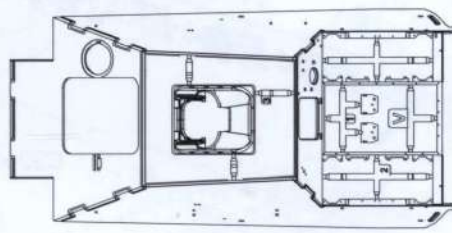
P 1piece



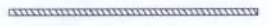
T 1piece



Lower Hull 1piece



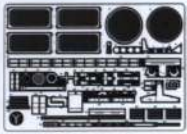
Metal Cable 40cm



Metal Spring



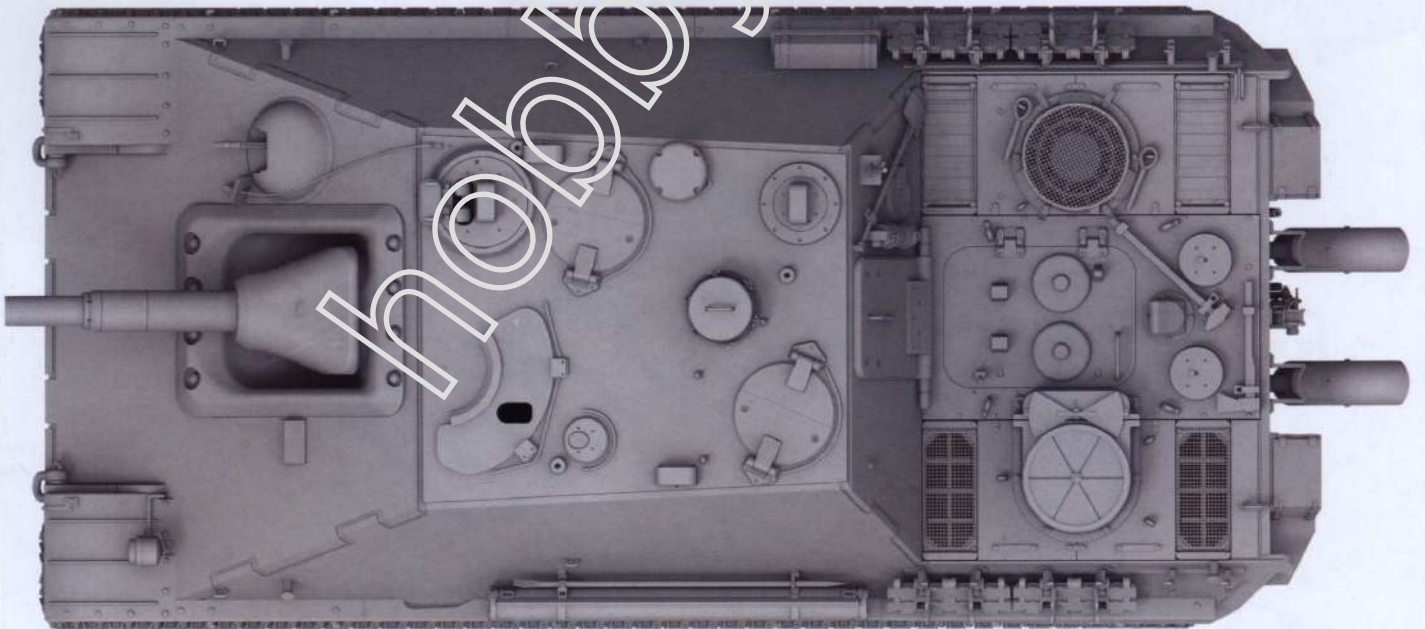
Photo Etched



Decal



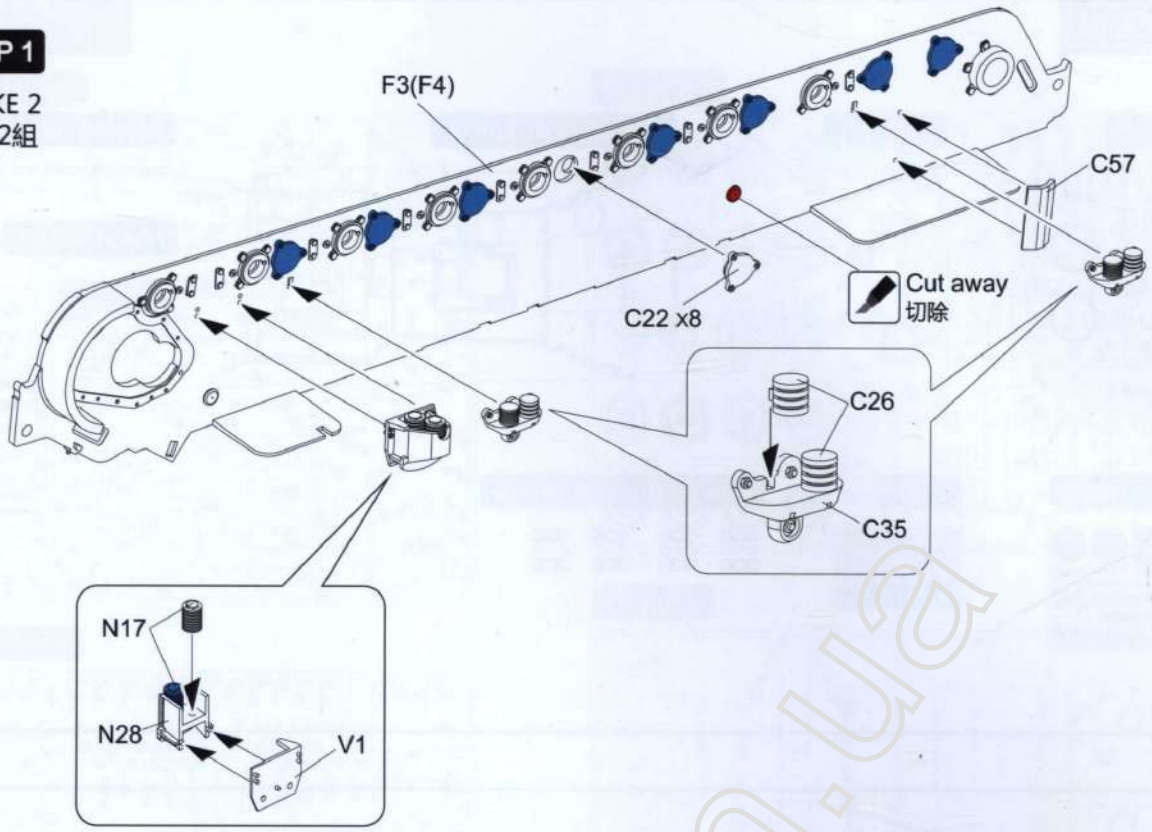
Track Links 190pieces



hobby.dn.ua

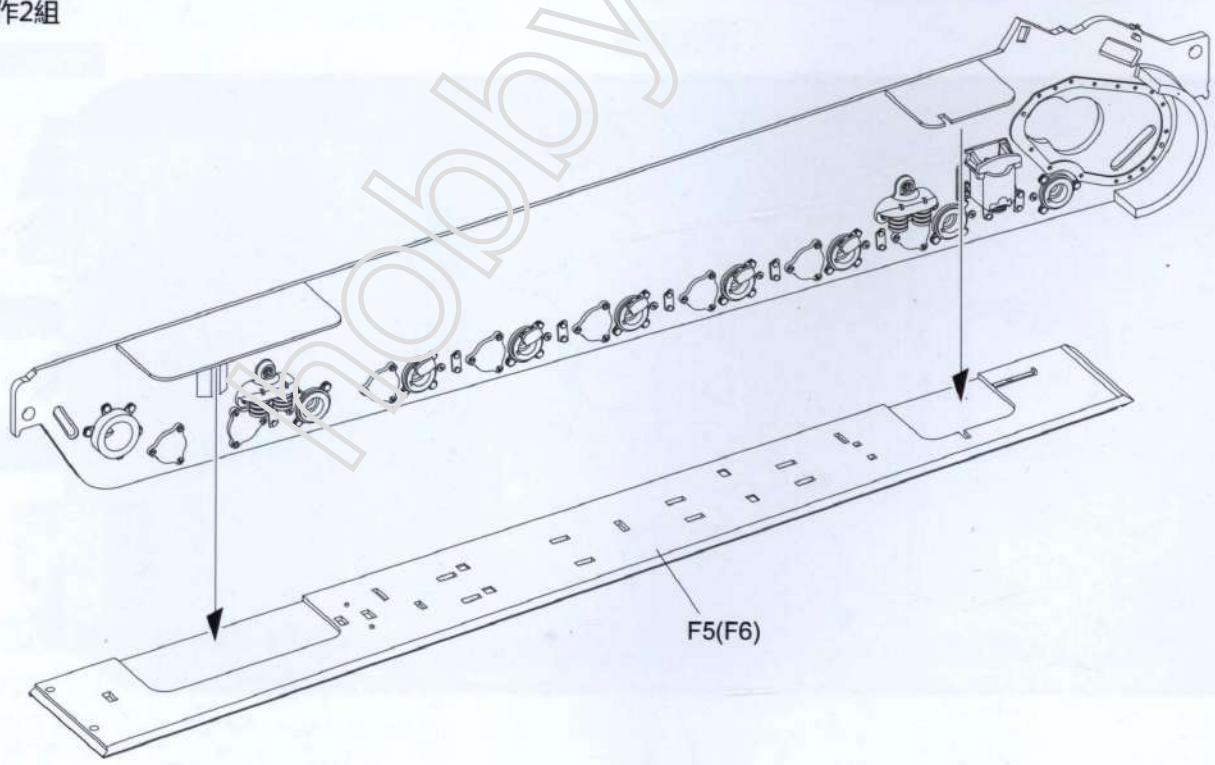
STEP 1

MAKE 2
製作2組

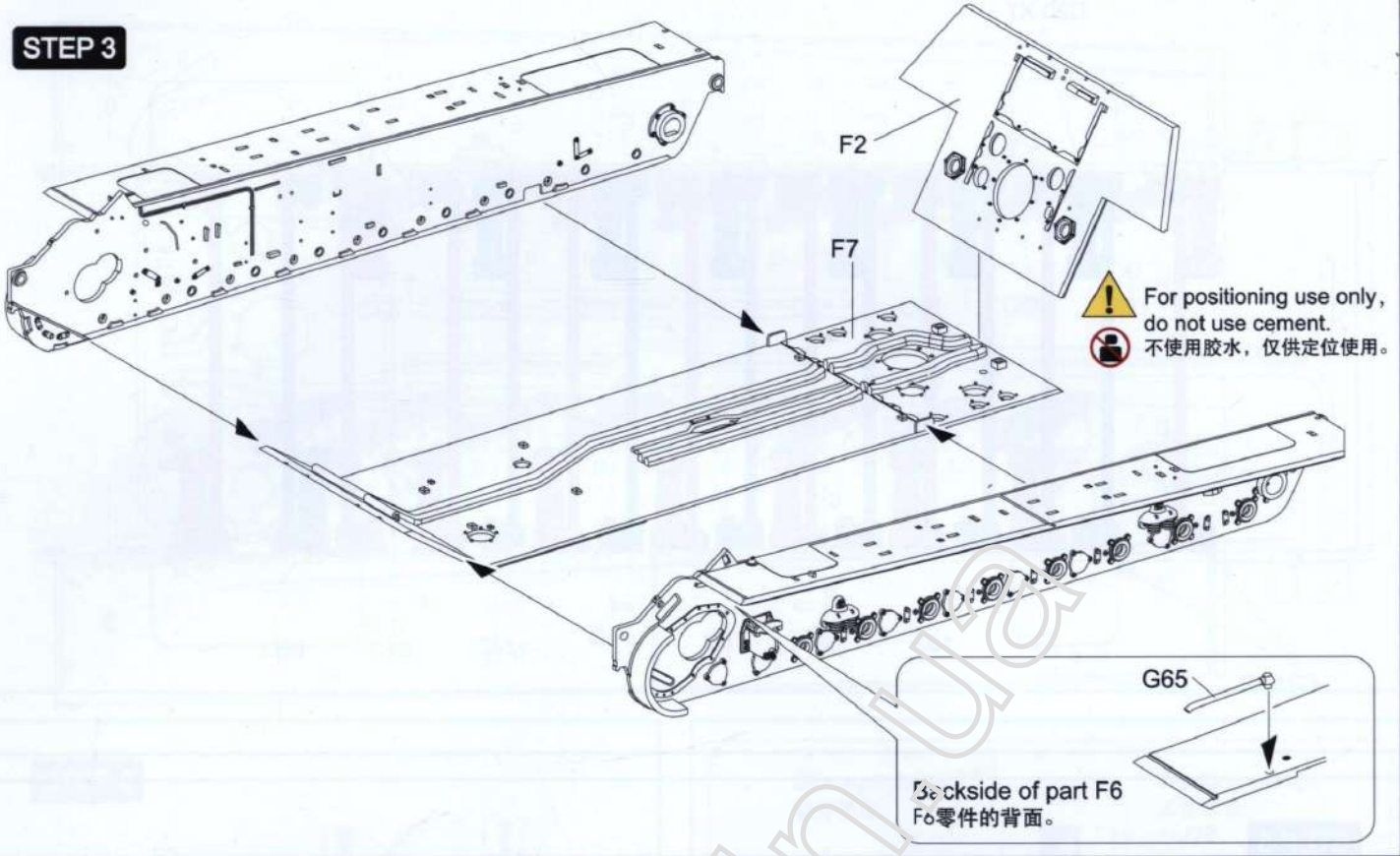


STEP 2

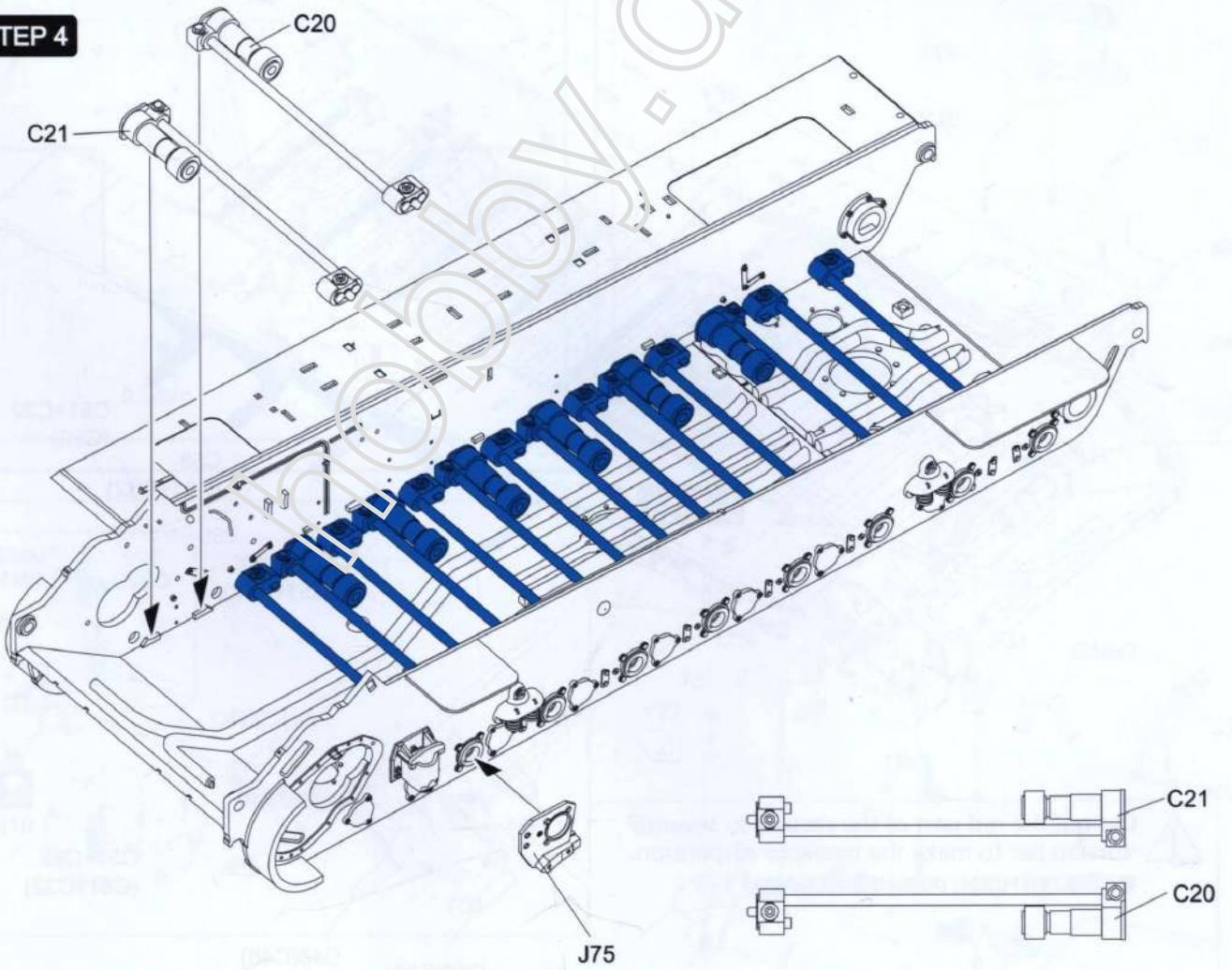
MAKE 2
製作2組

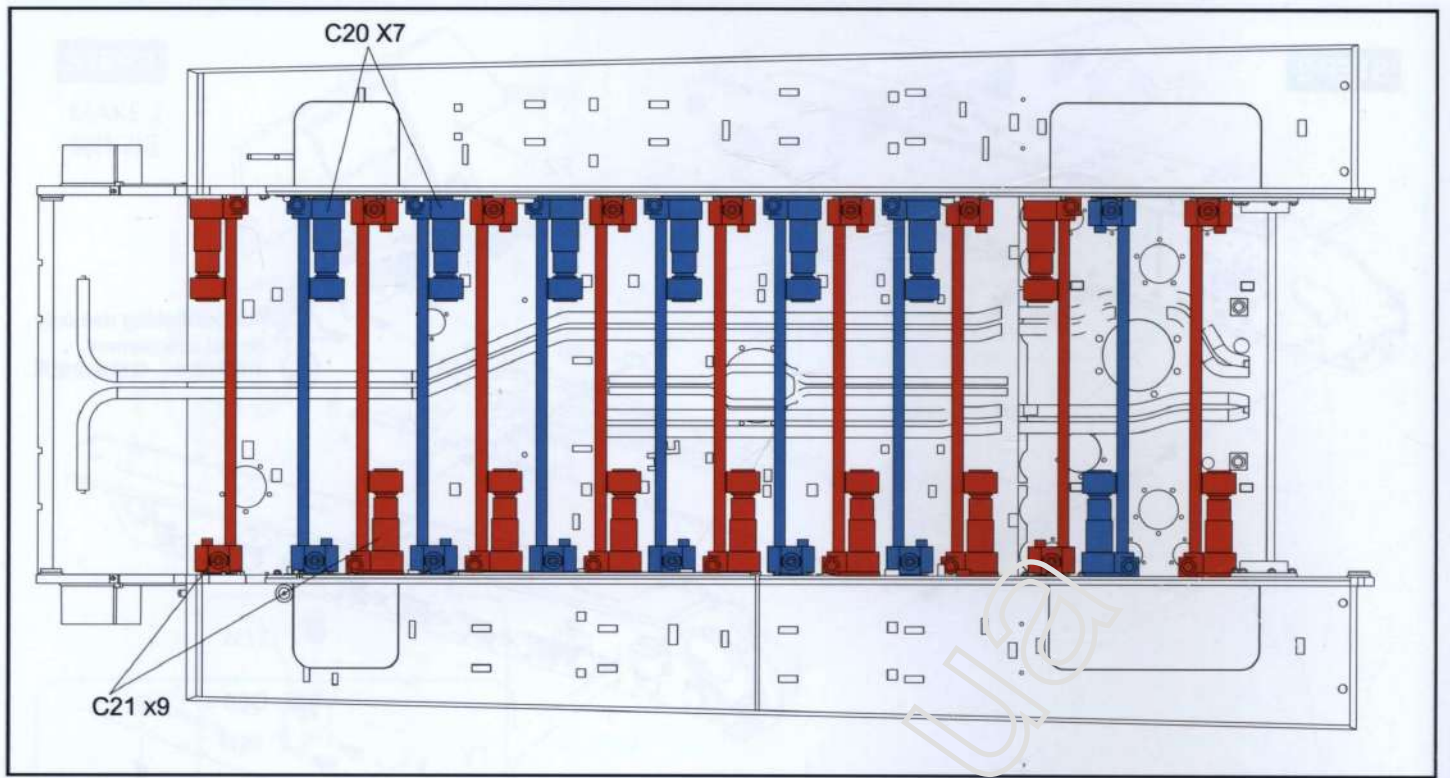


STEP 3

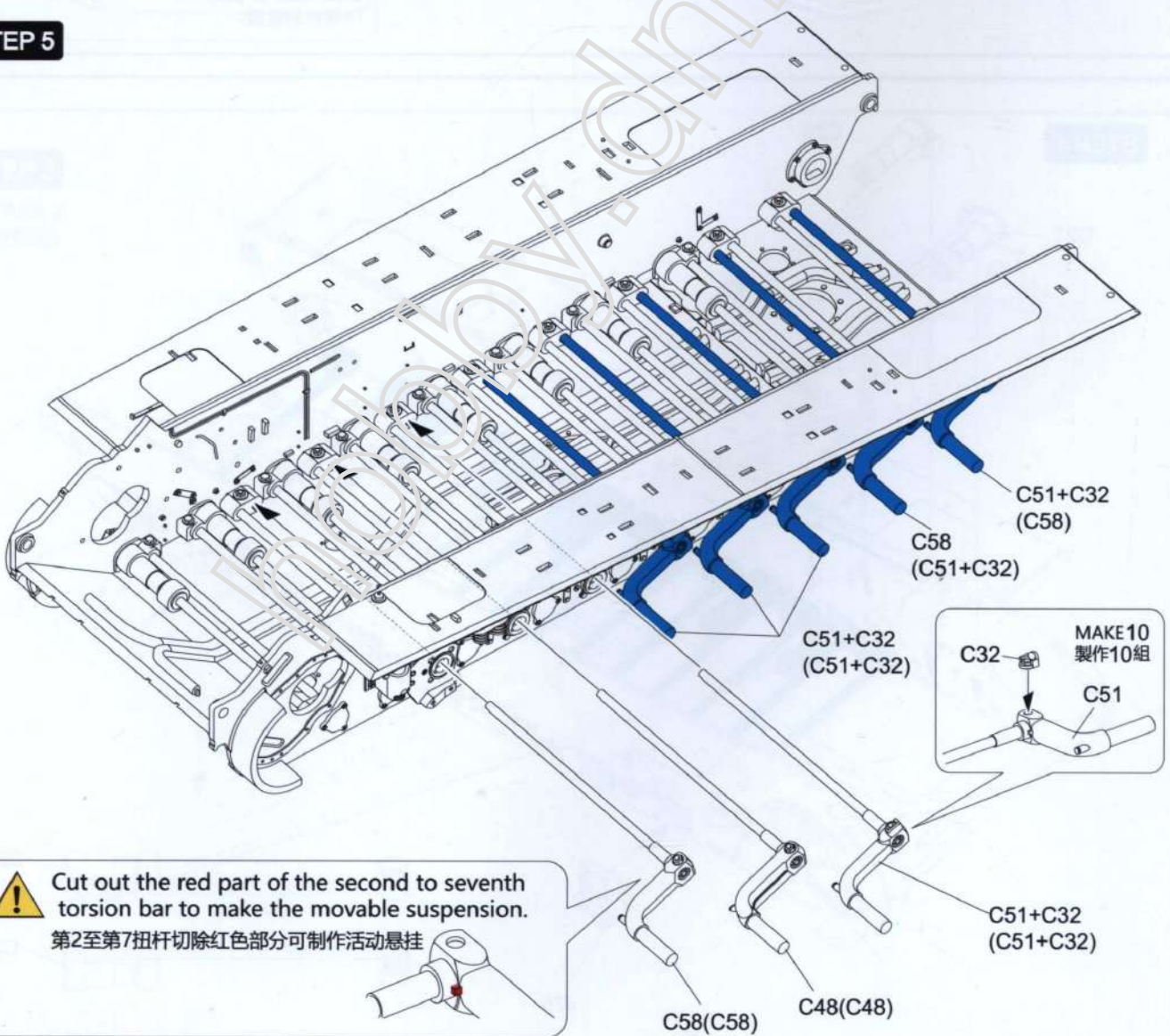


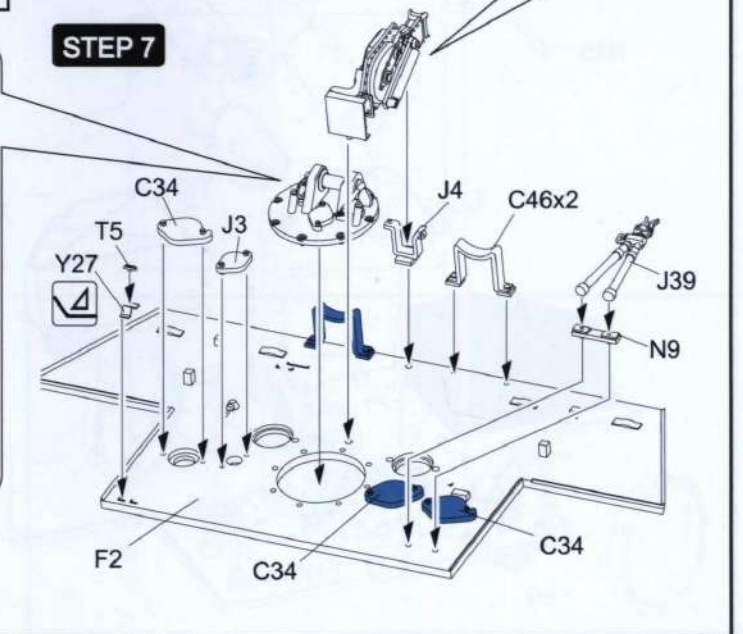
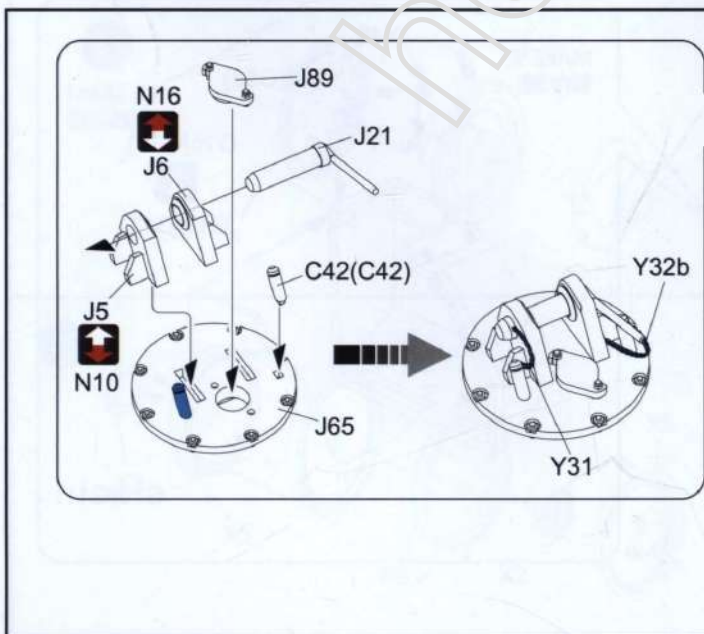
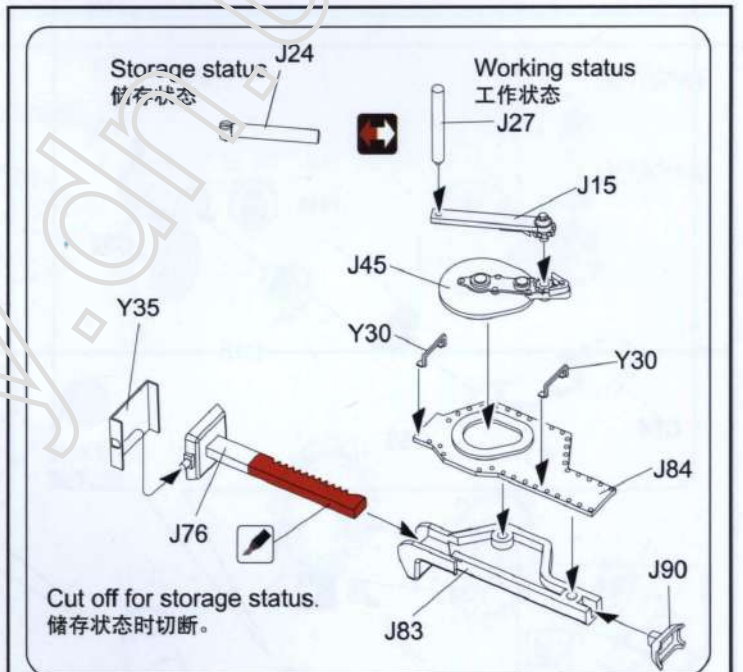
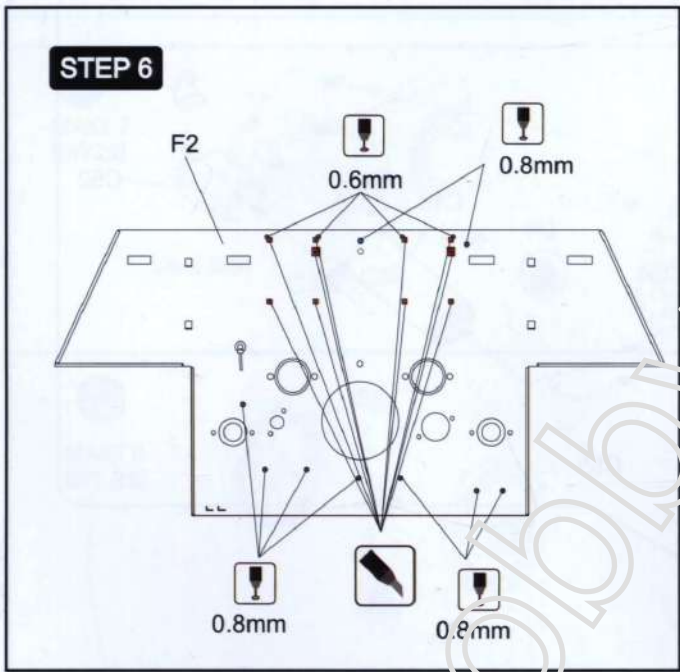
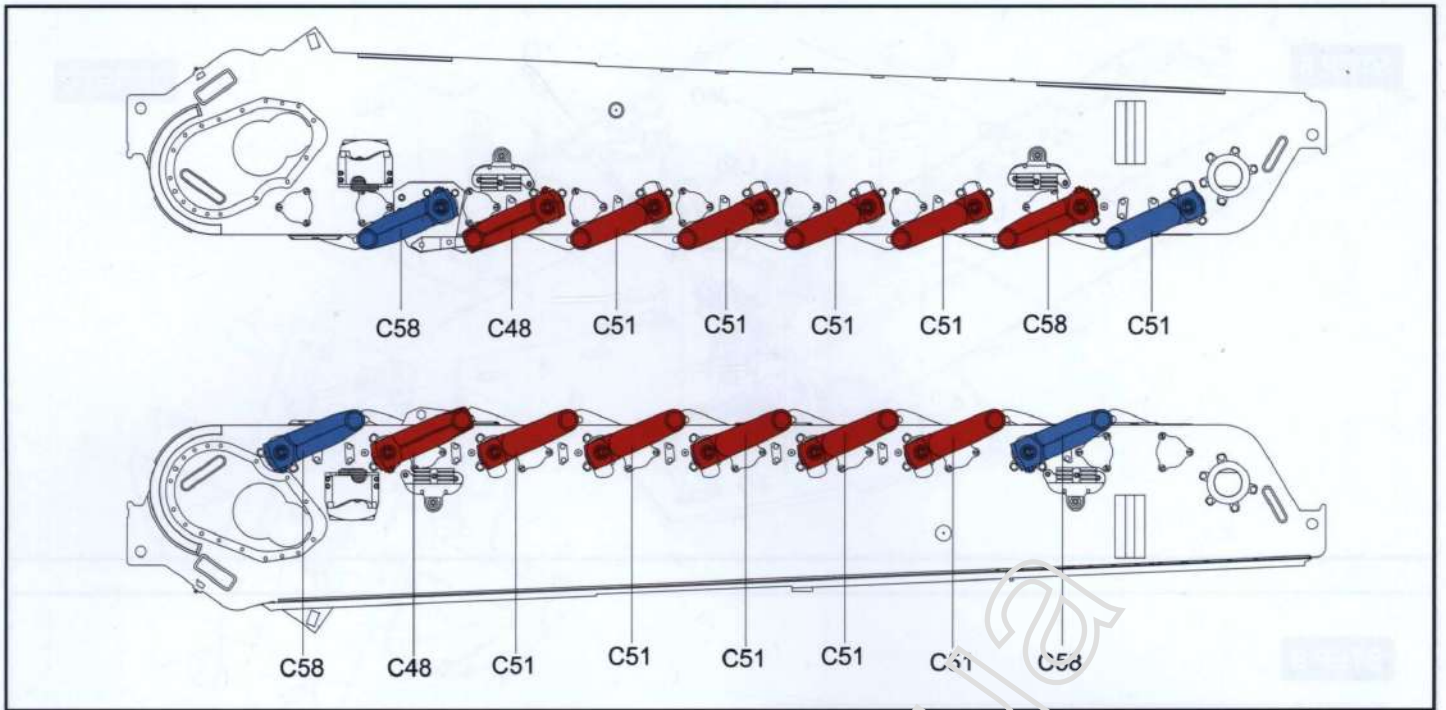
STEP 4



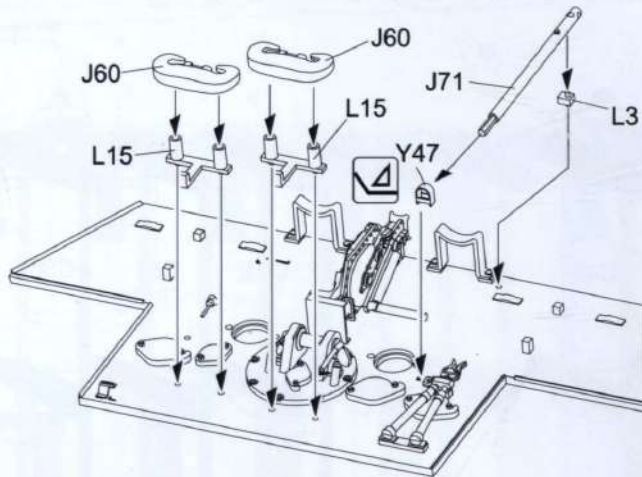


STEP 5

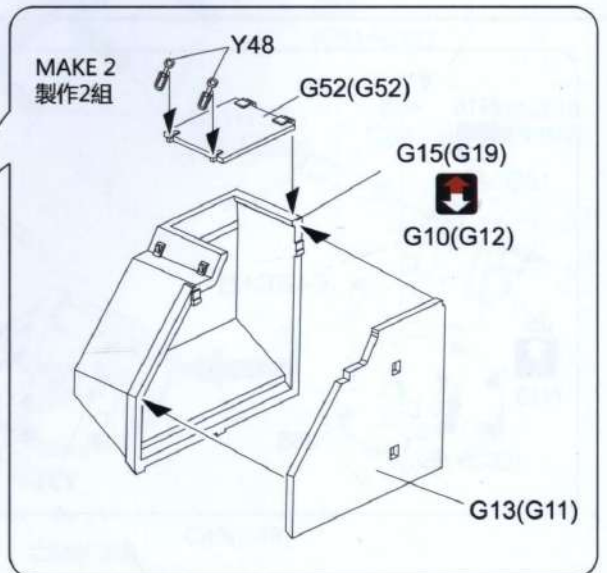
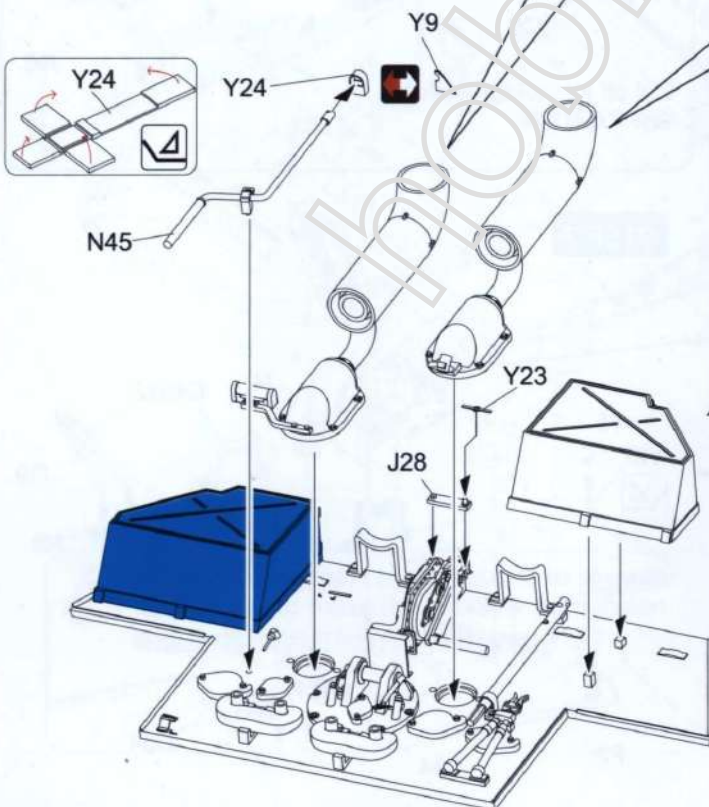
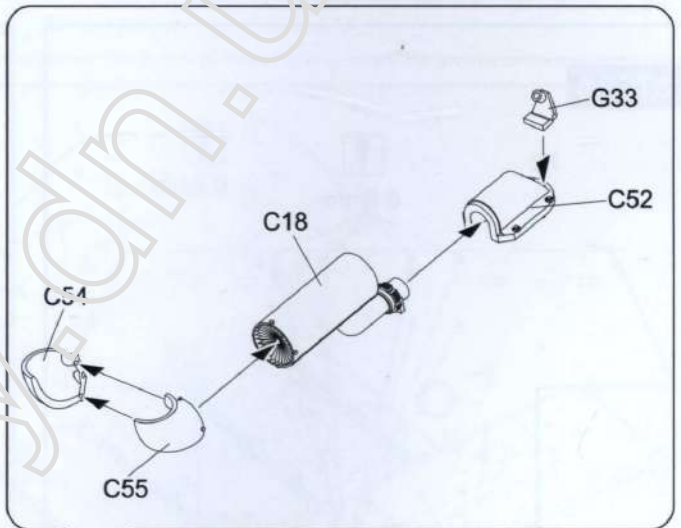
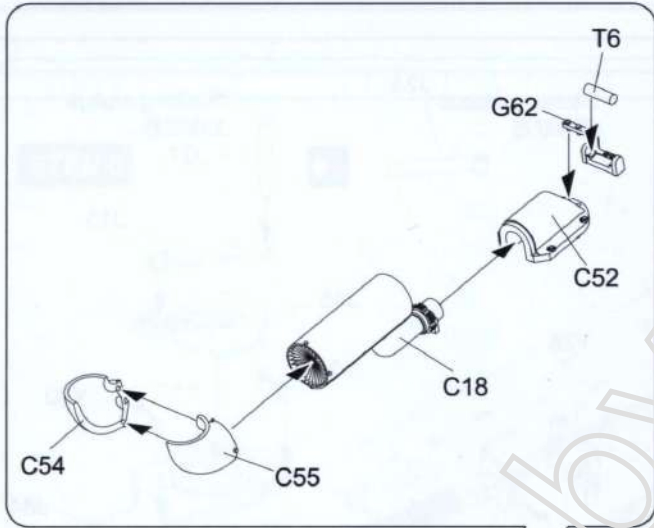




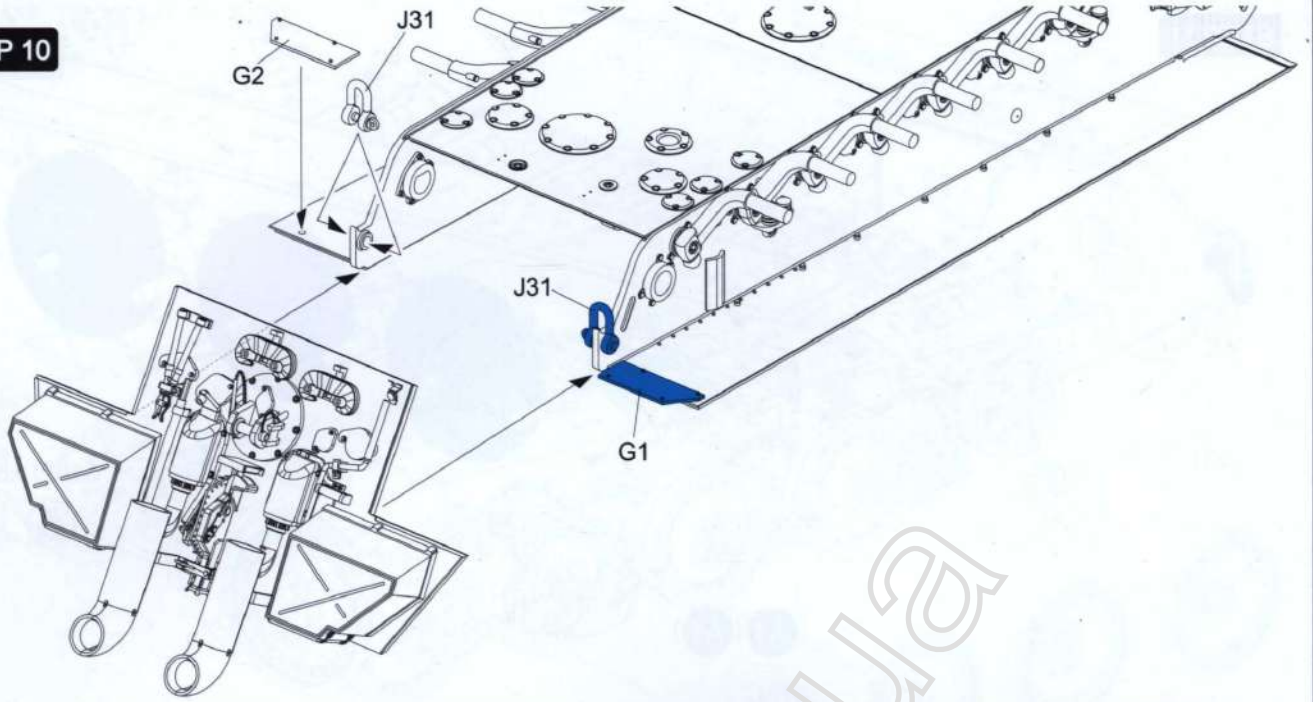
STEP 8



STEP 9

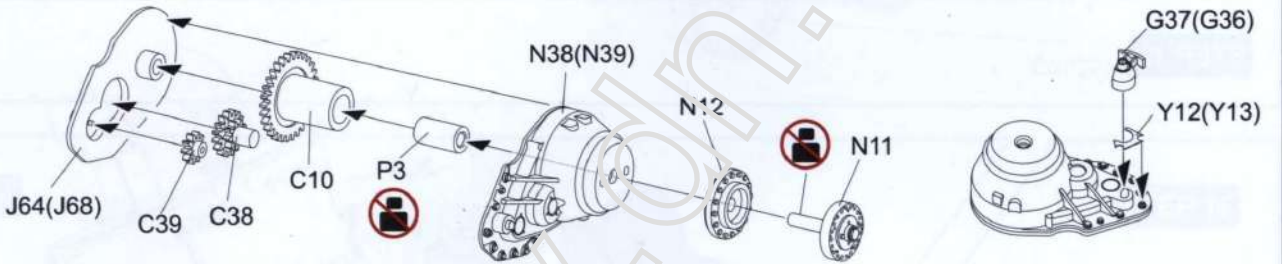


STEP 10



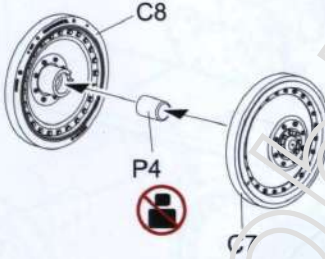
A1

MAKE 2
製作2組



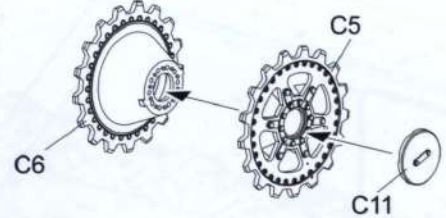
A2

MAKE 8
製作8組



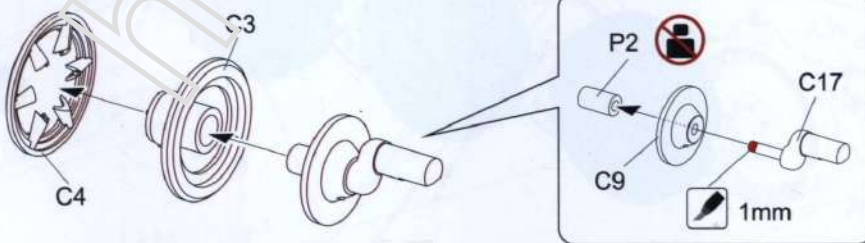
A3

MAKE 2
製作2組

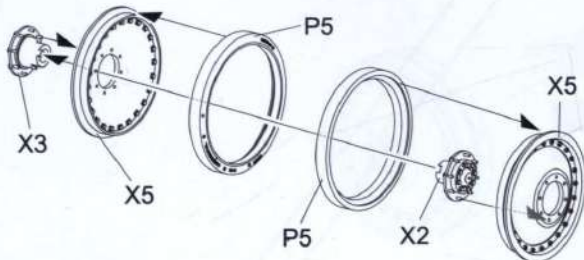


A4

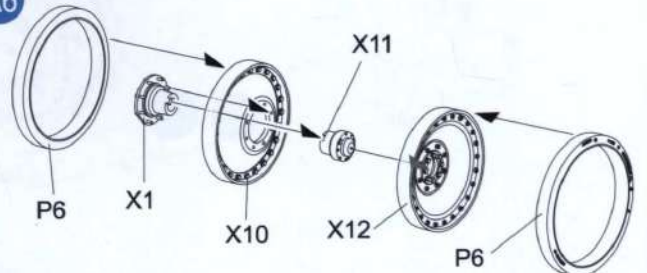
MAKE 2
製作2組



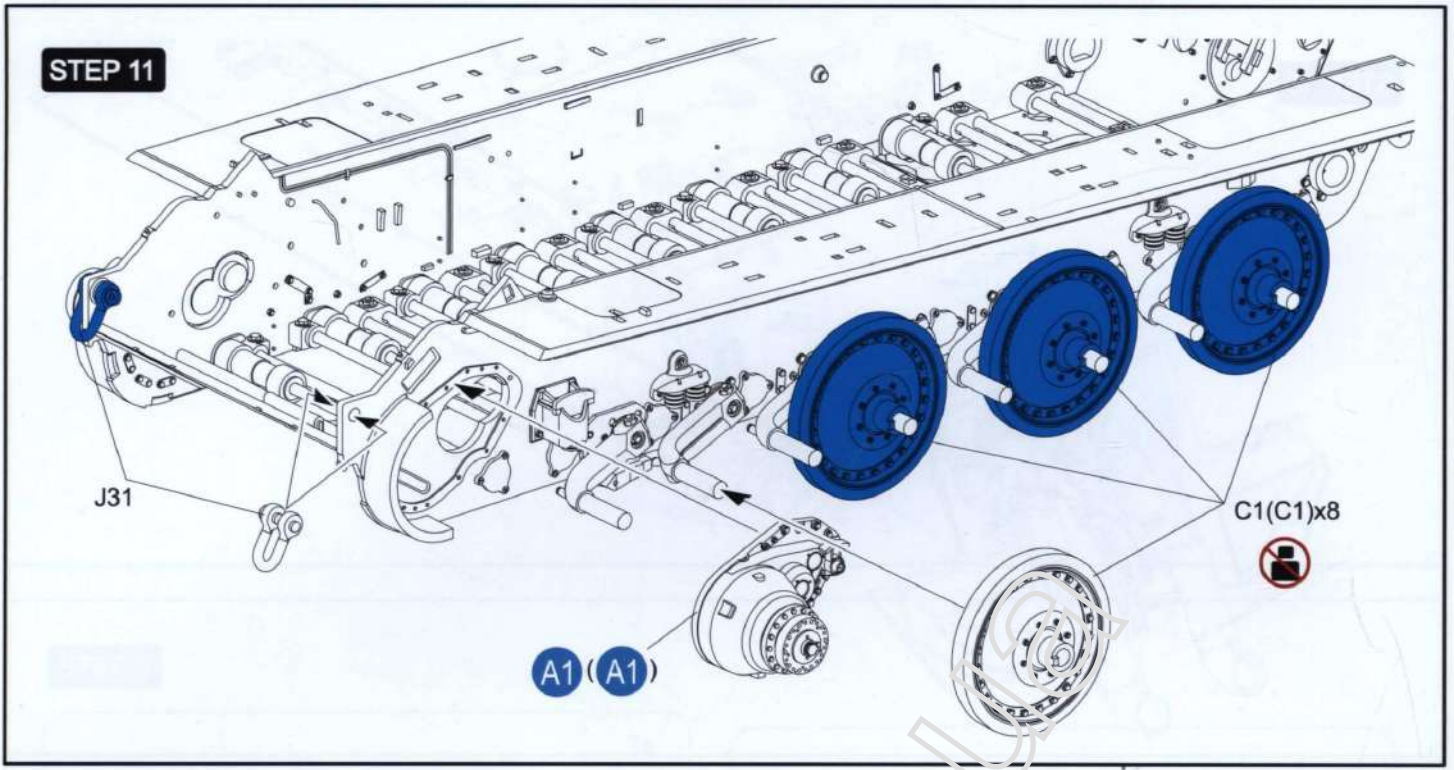
A5



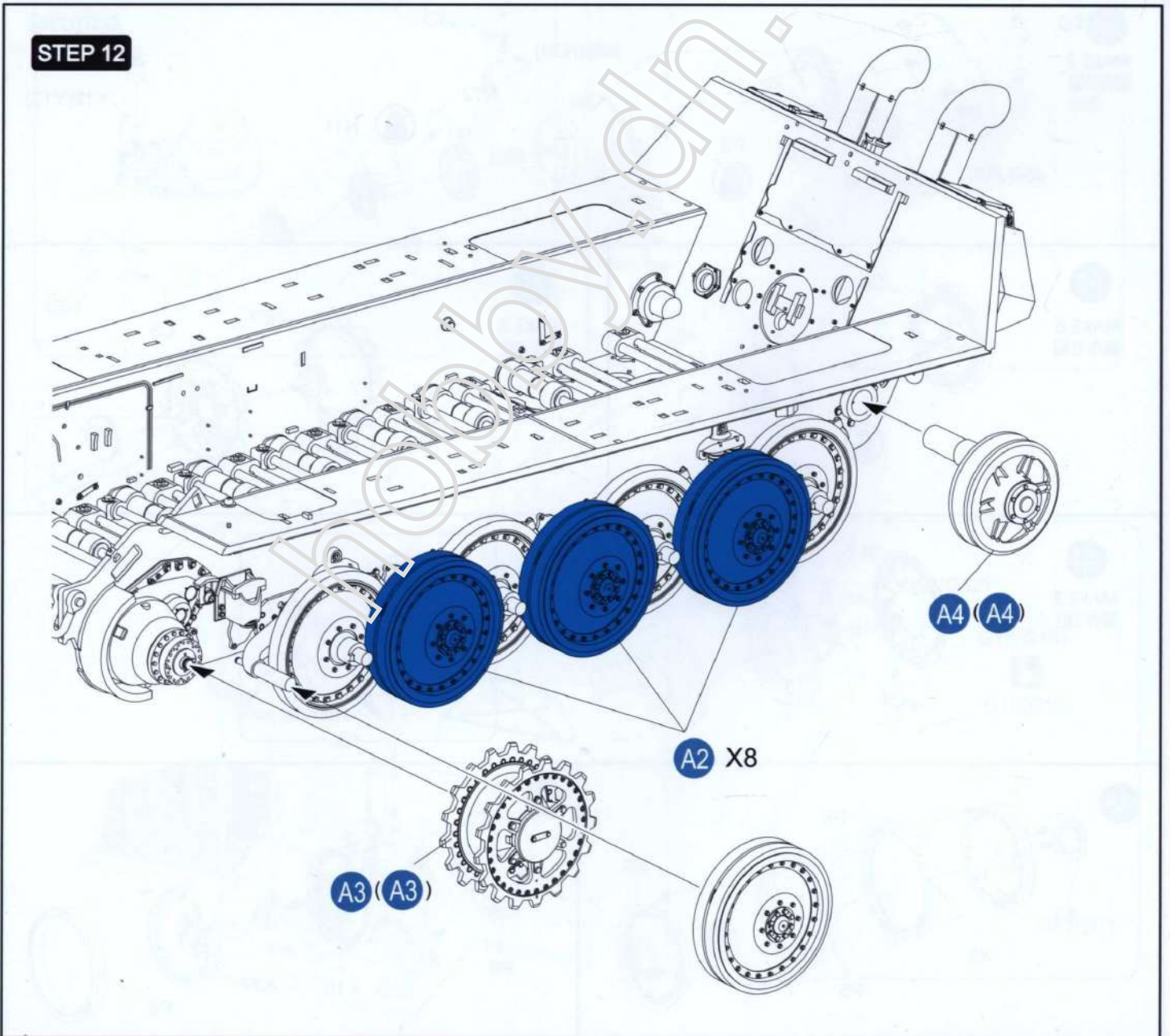
A6



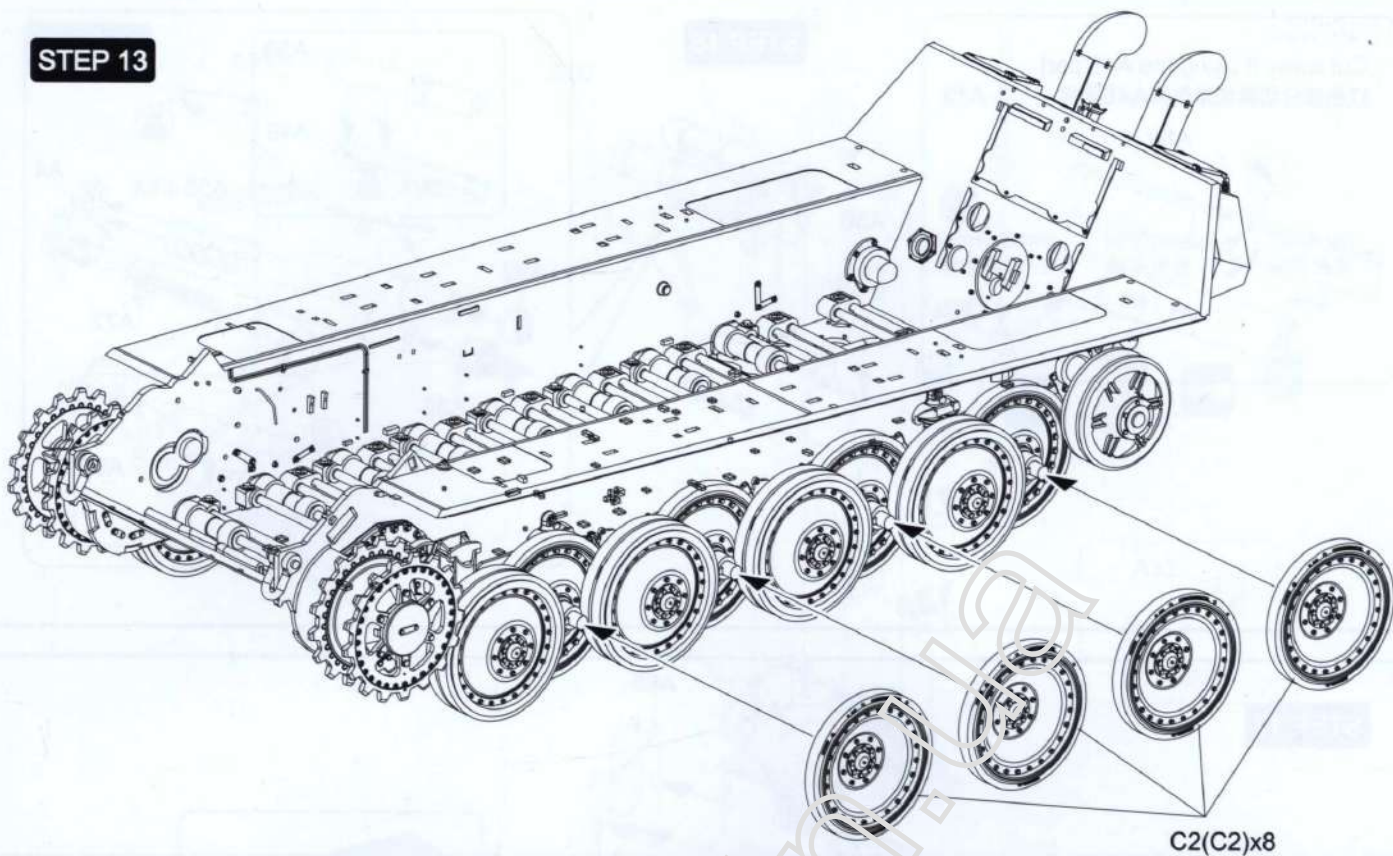
STEP 11



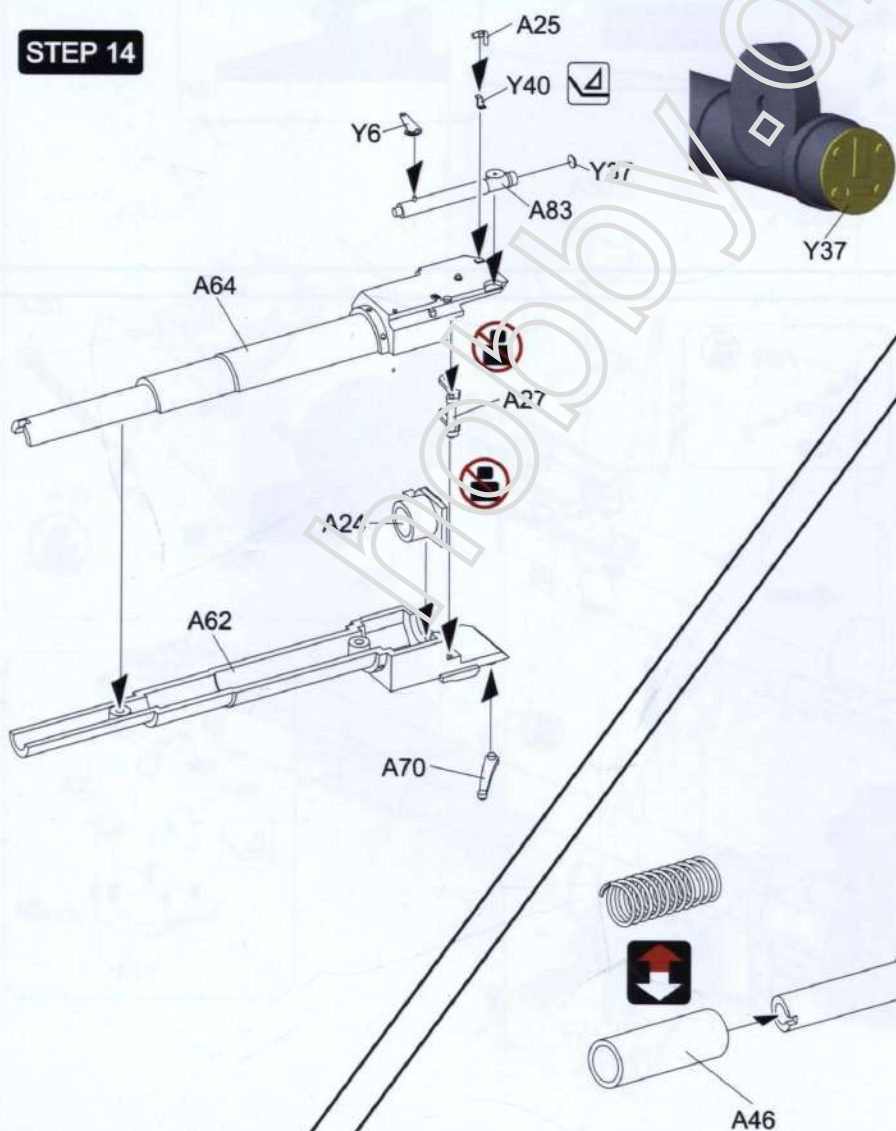
STEP 12



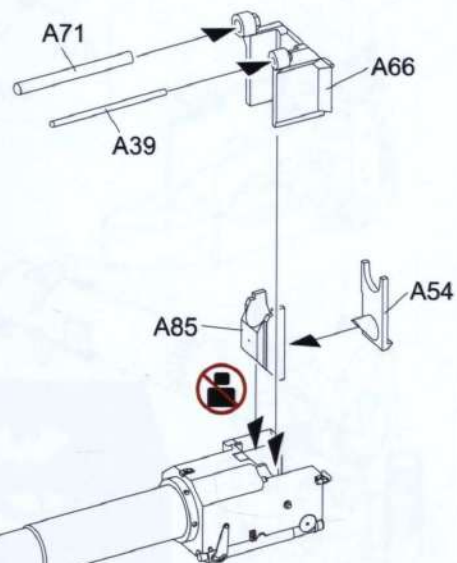
STEP 13



STEP 14

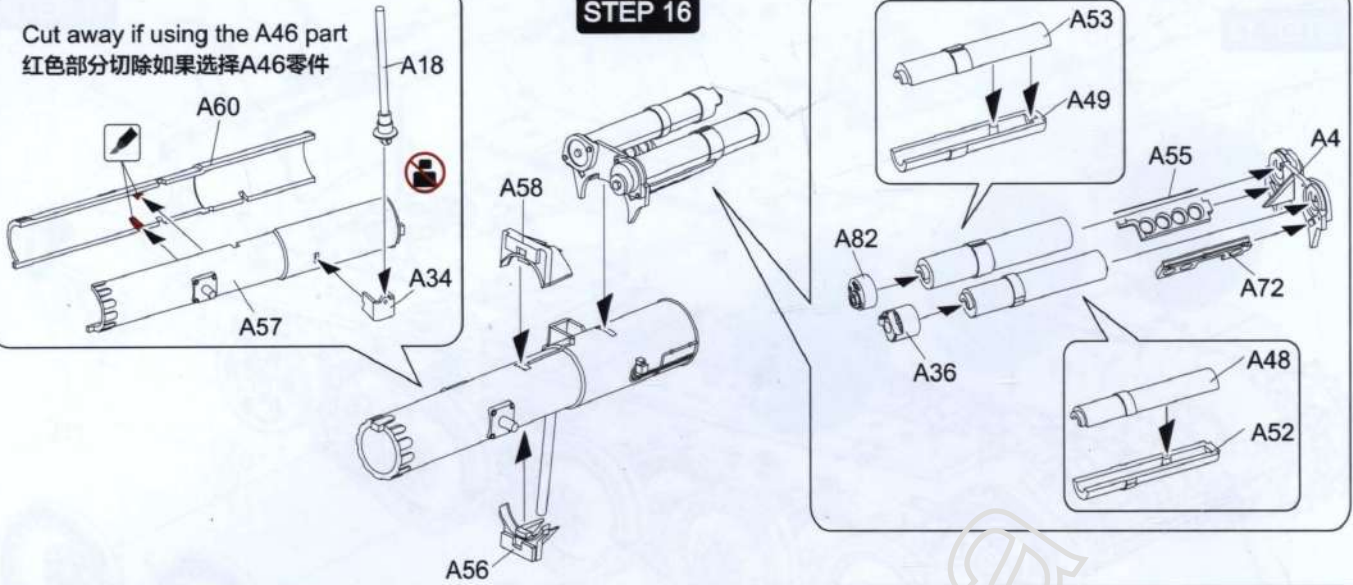


STEP 15

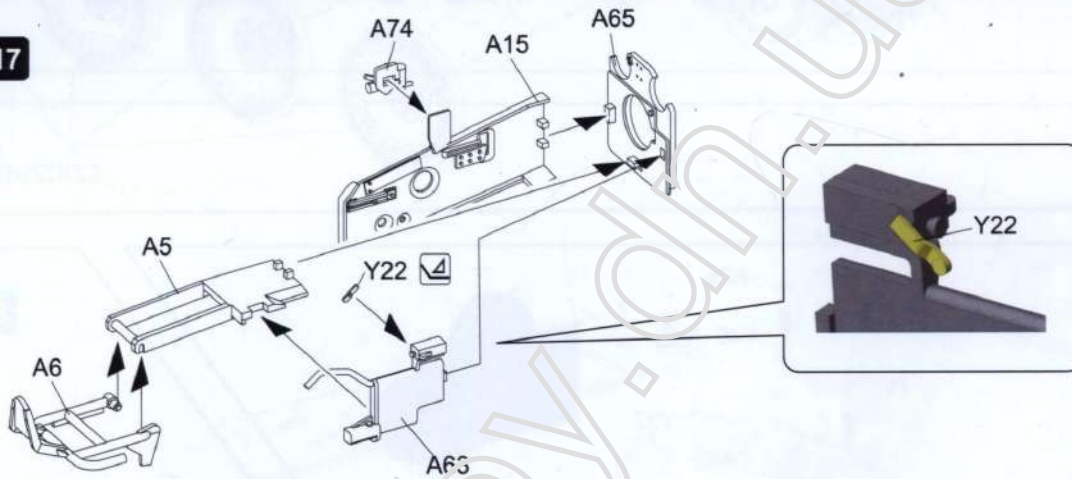


STEP 16

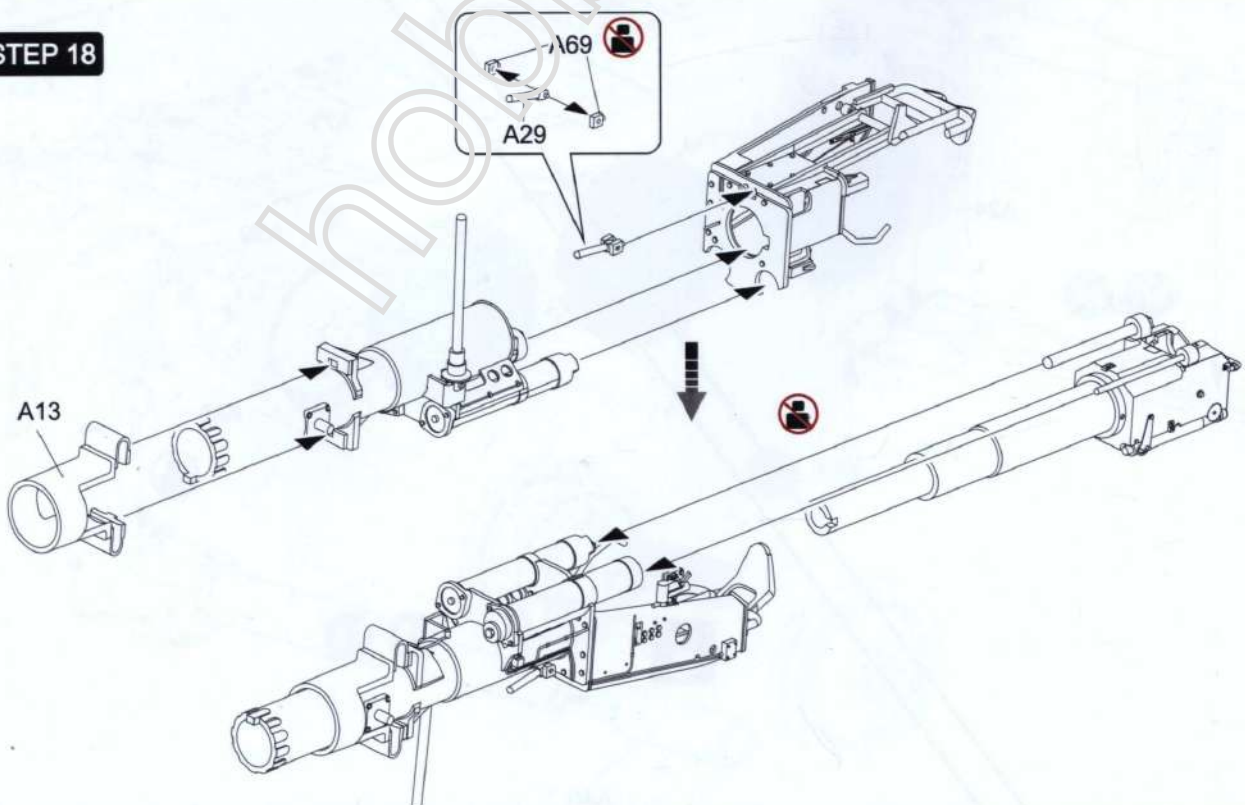
Cut away if using the A46 part
红色部分切除如果选择A46零件



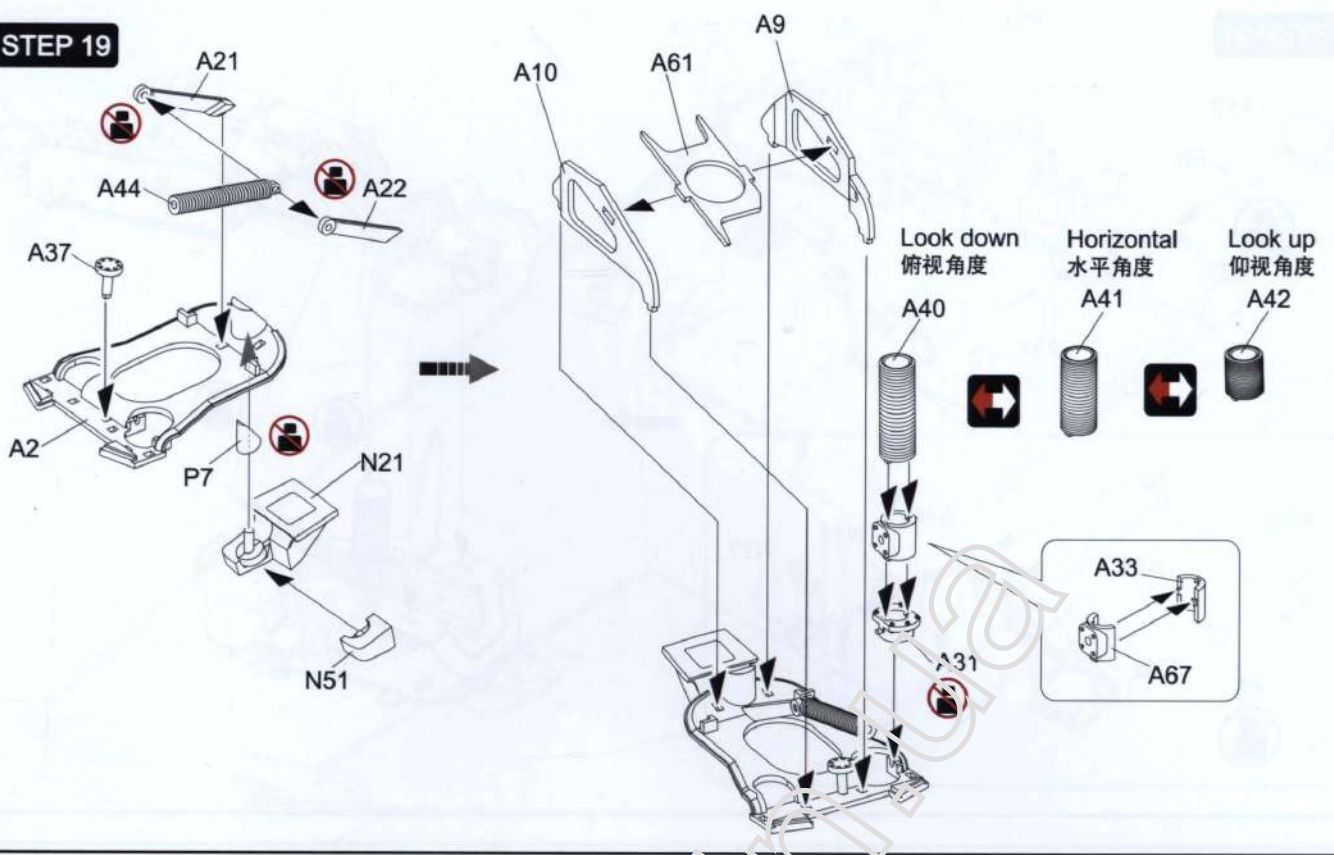
STEP 17



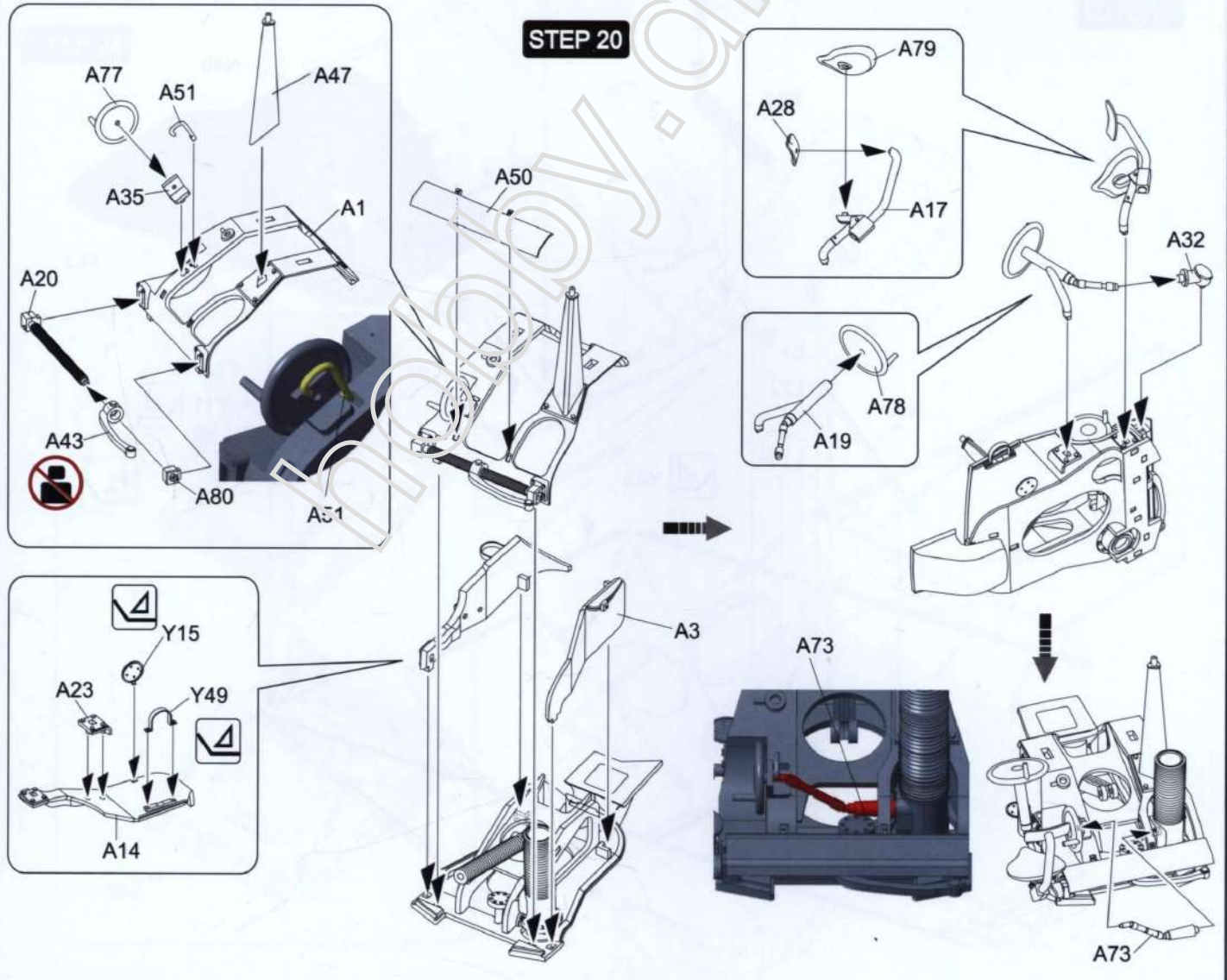
STEP 18



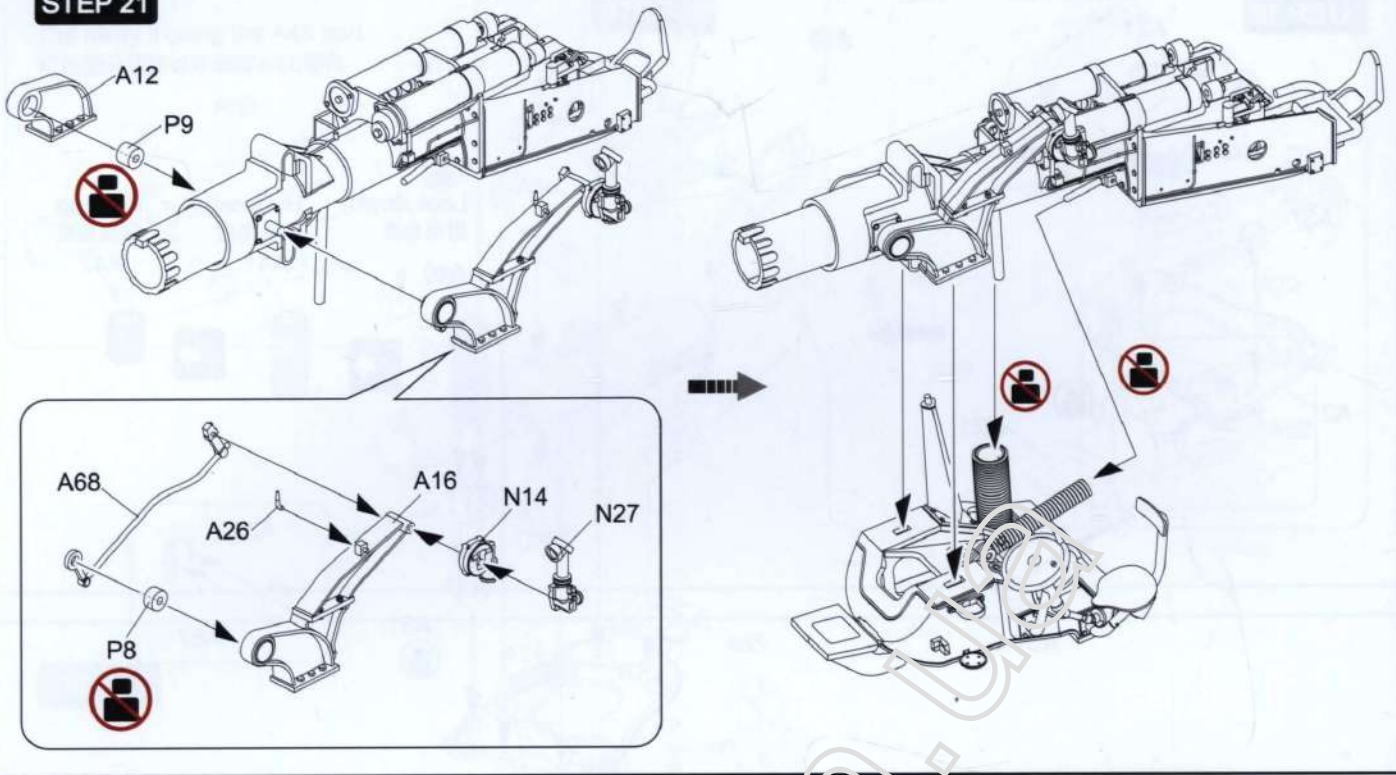
STEP 19



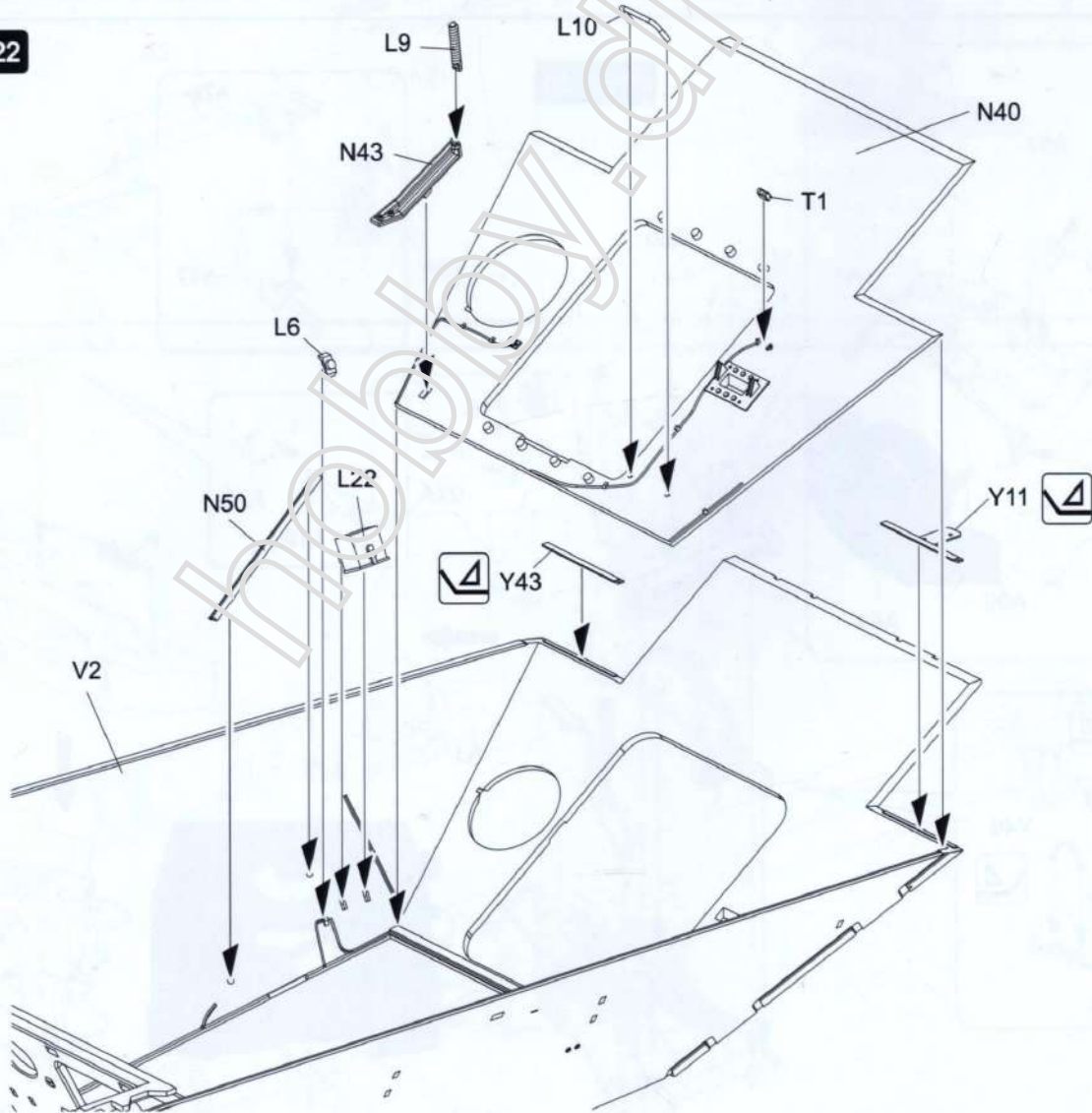
STEP 20



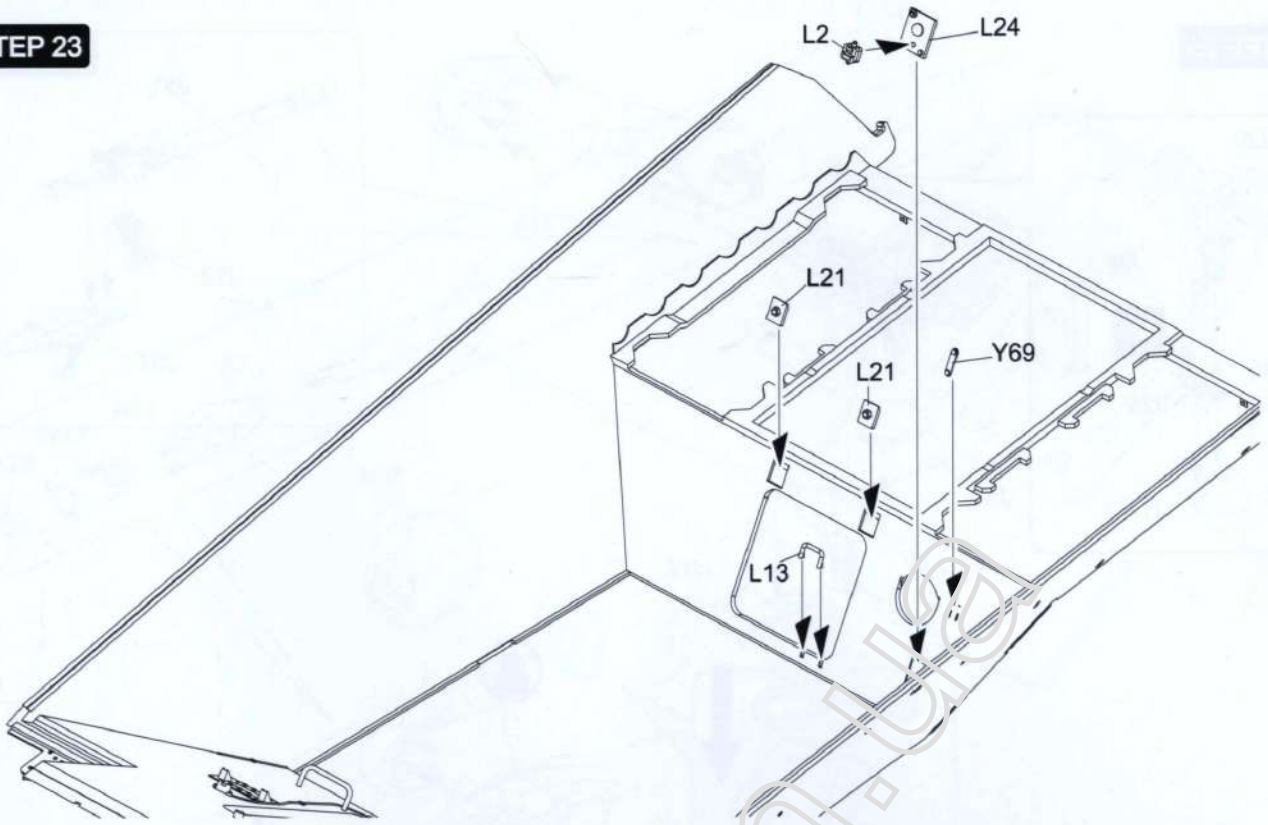
STEP 21



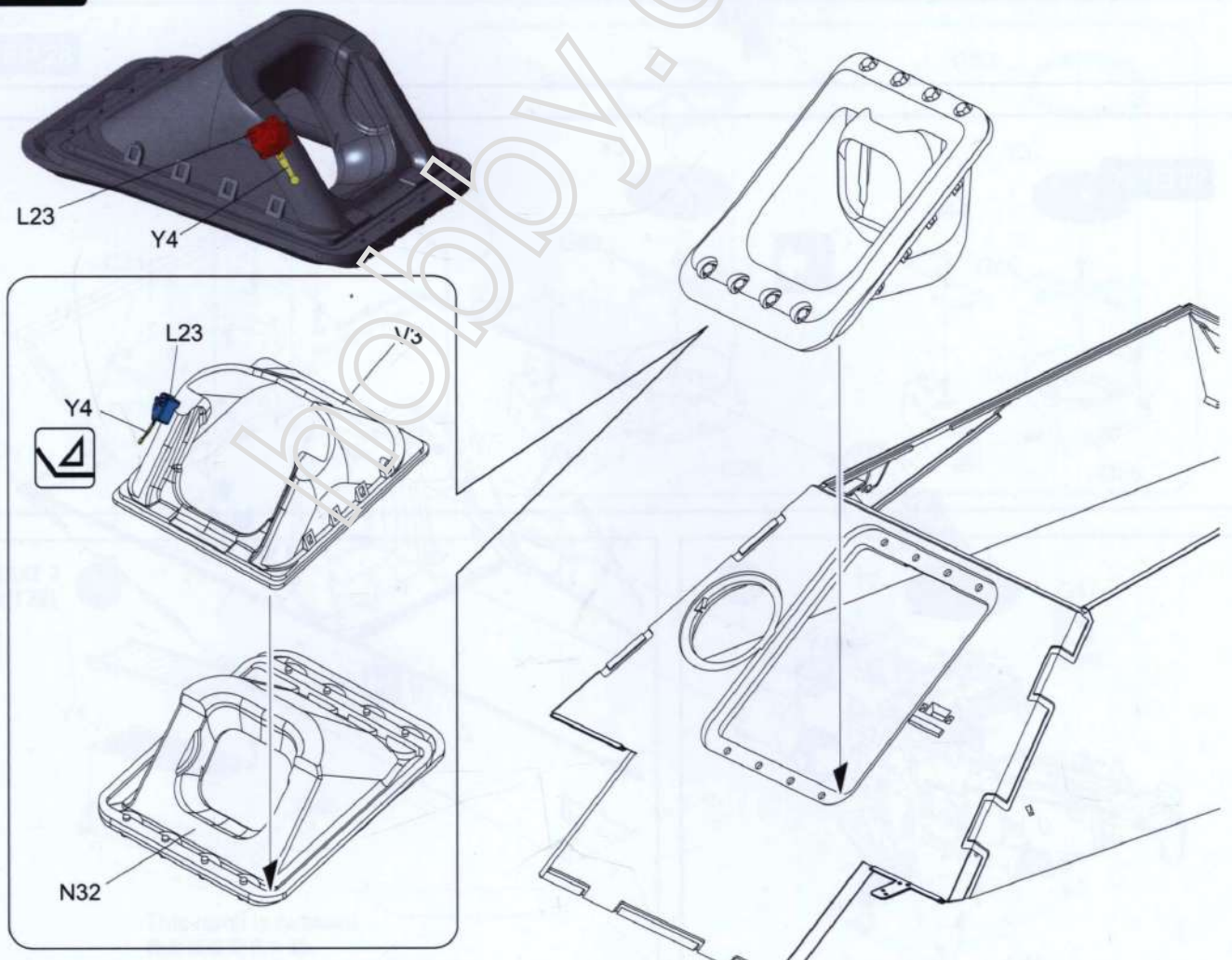
STEP 22



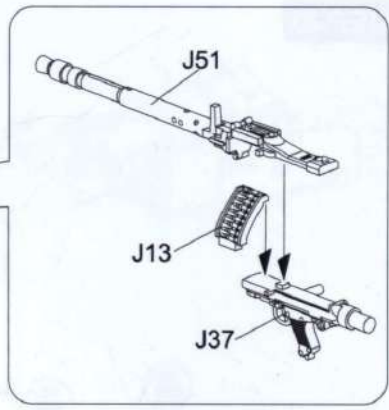
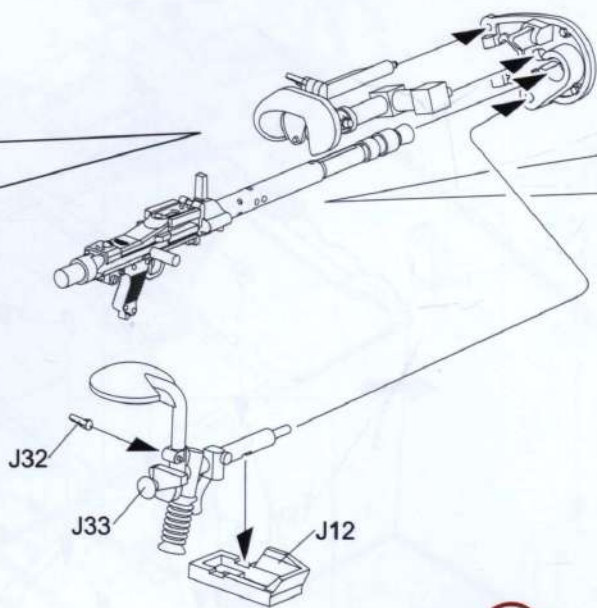
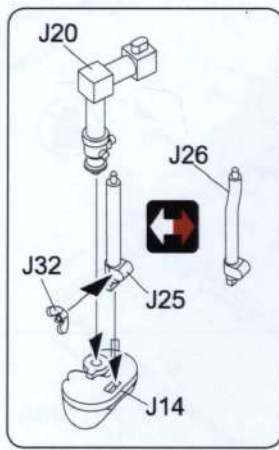
STEP 23



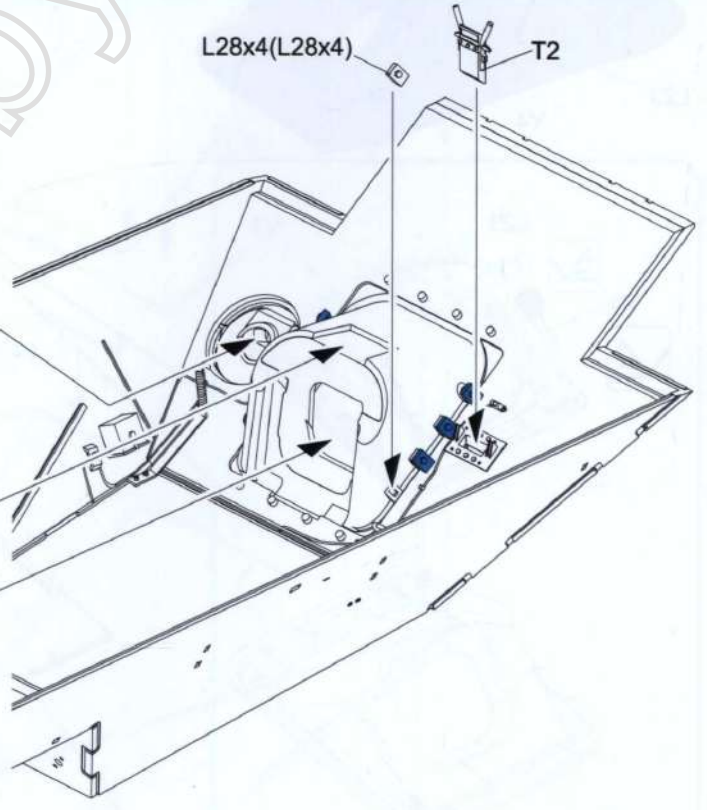
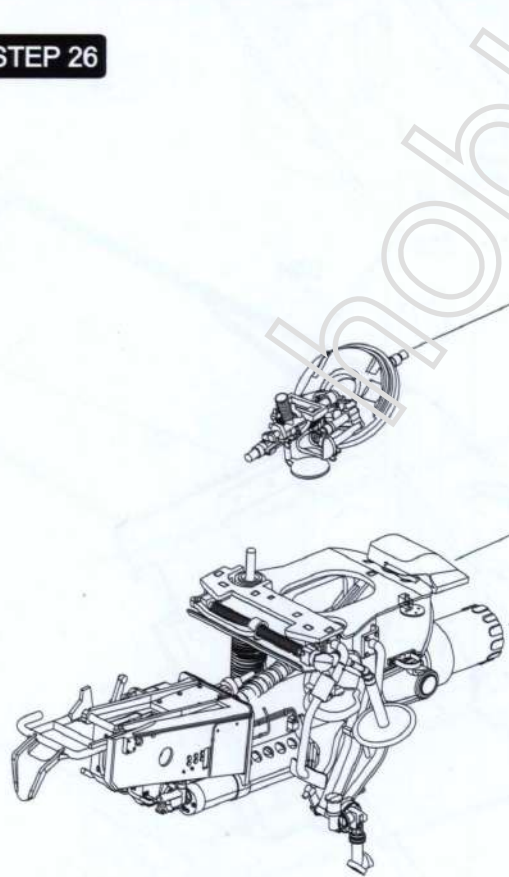
STEP 24



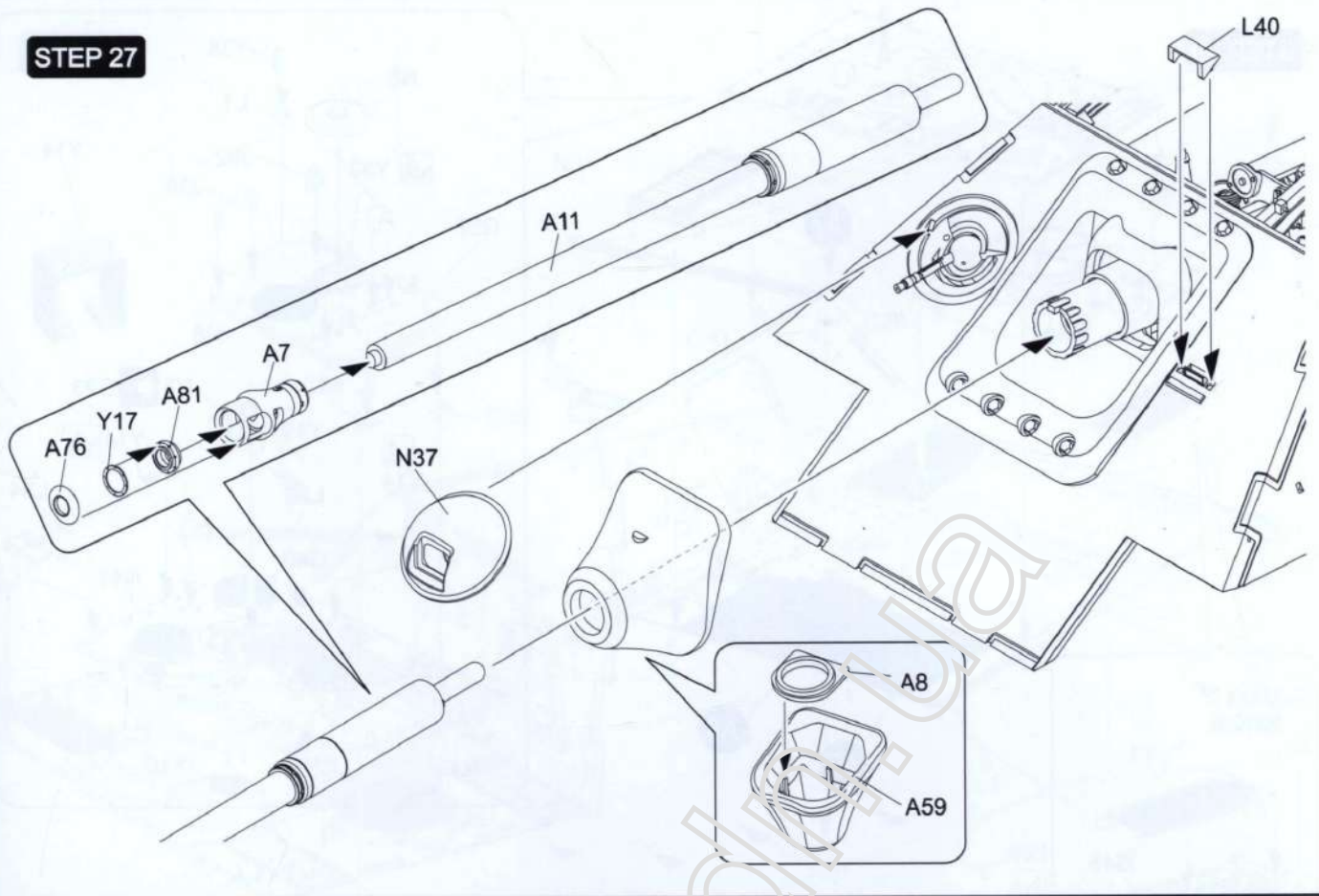
STEP 25



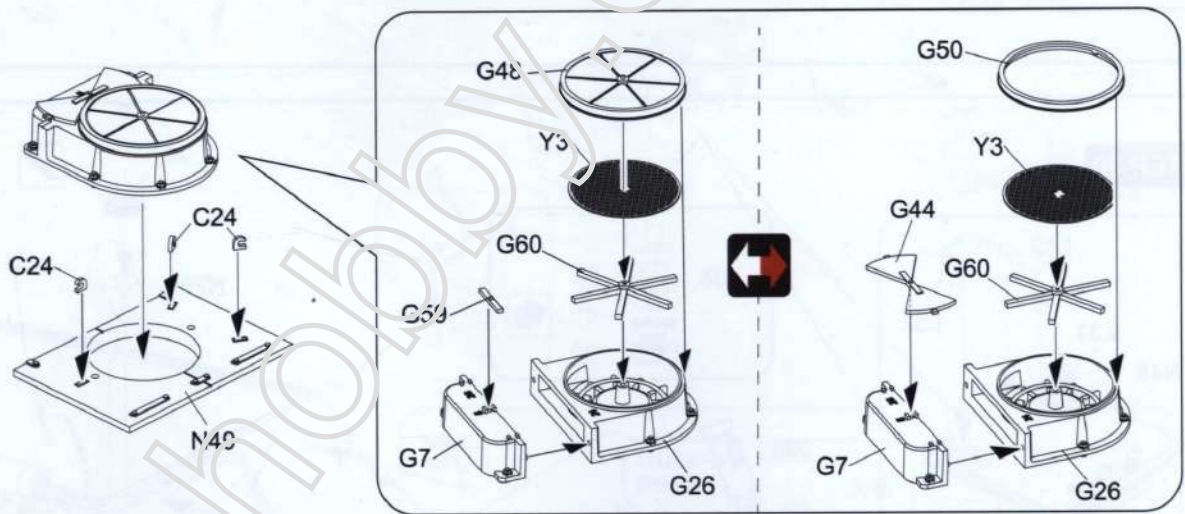
STEP 26



STEP 27

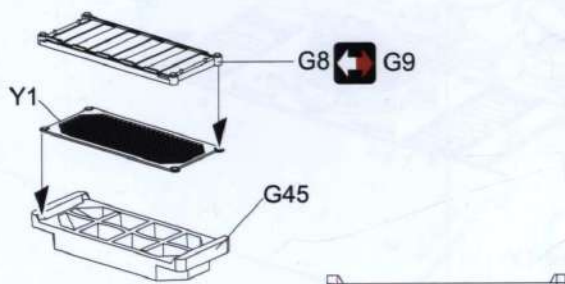


STEP 28



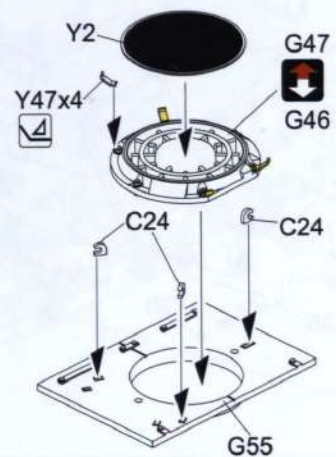
MAKE 2
製作2組

A7

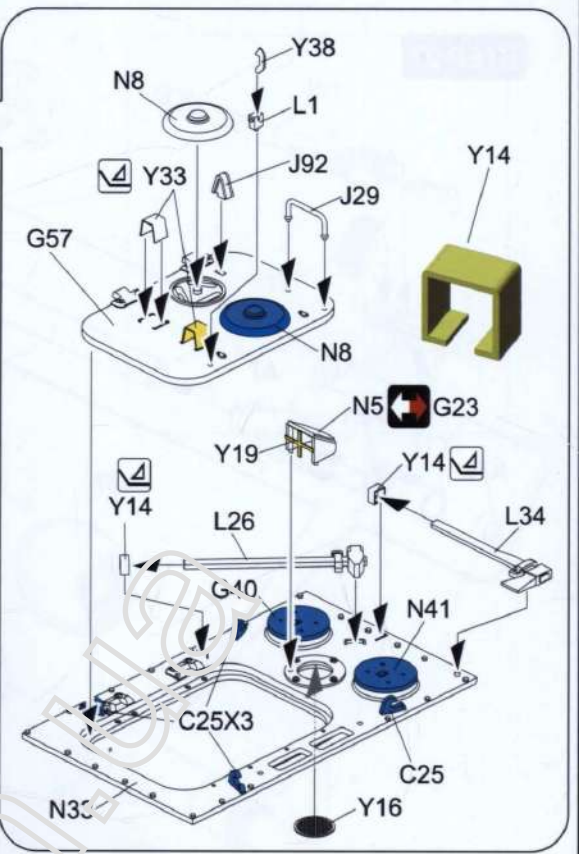
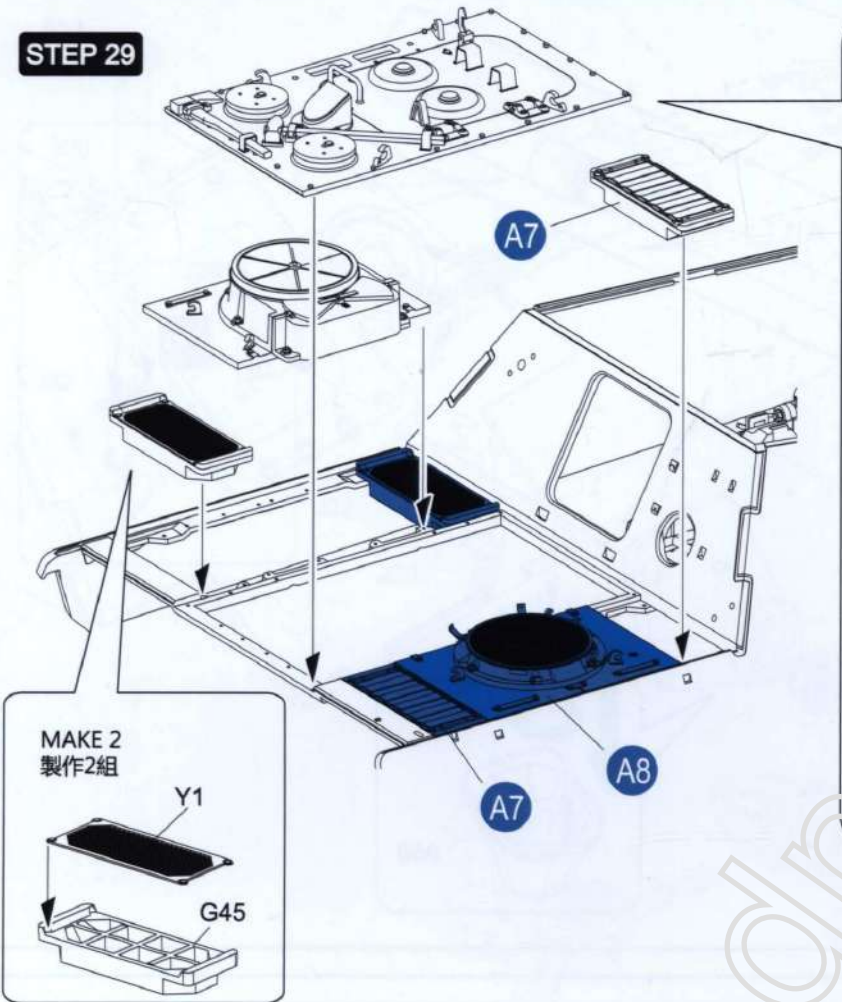


This ramp is outward.
此斜面裝配在外側。

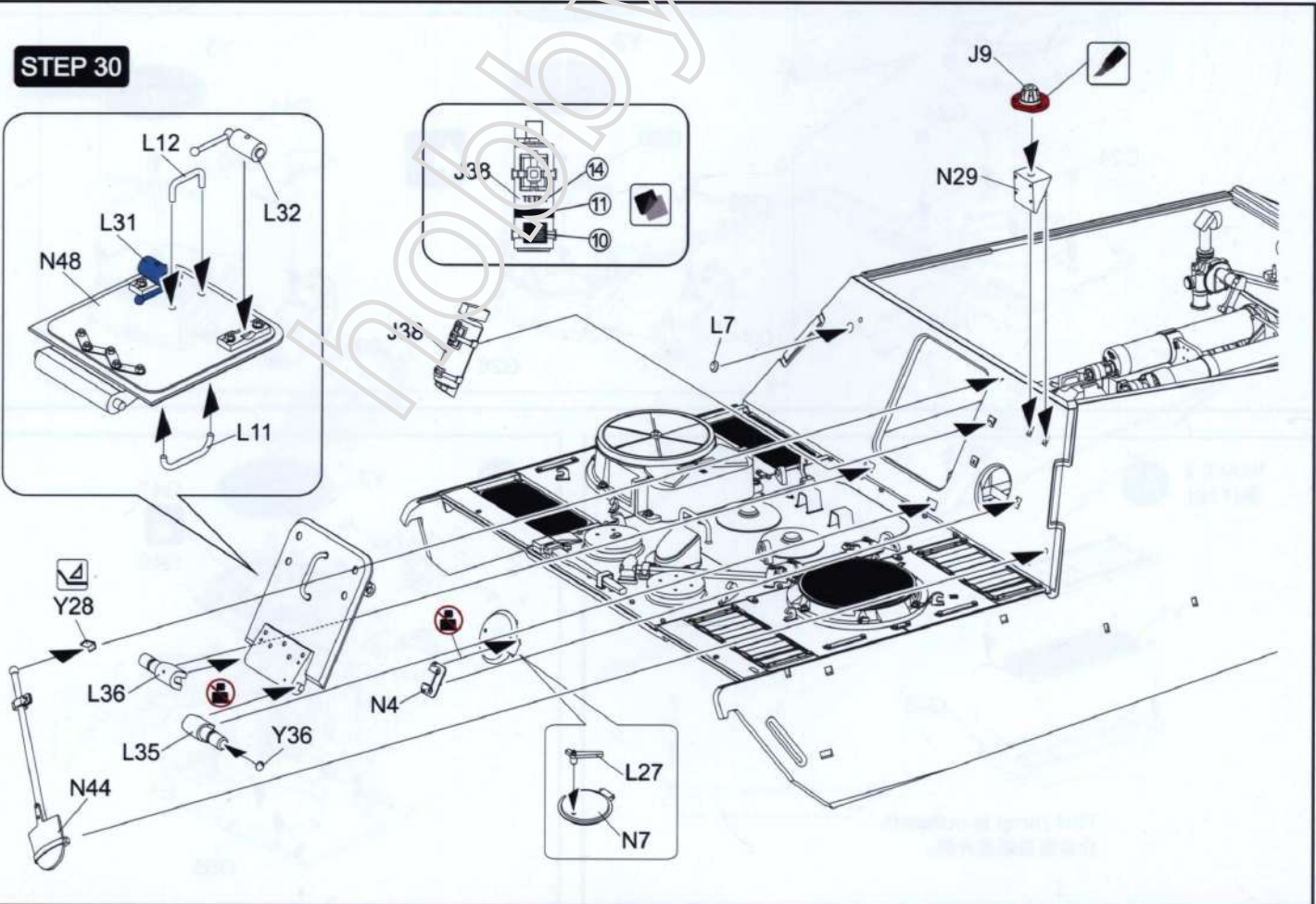
A8



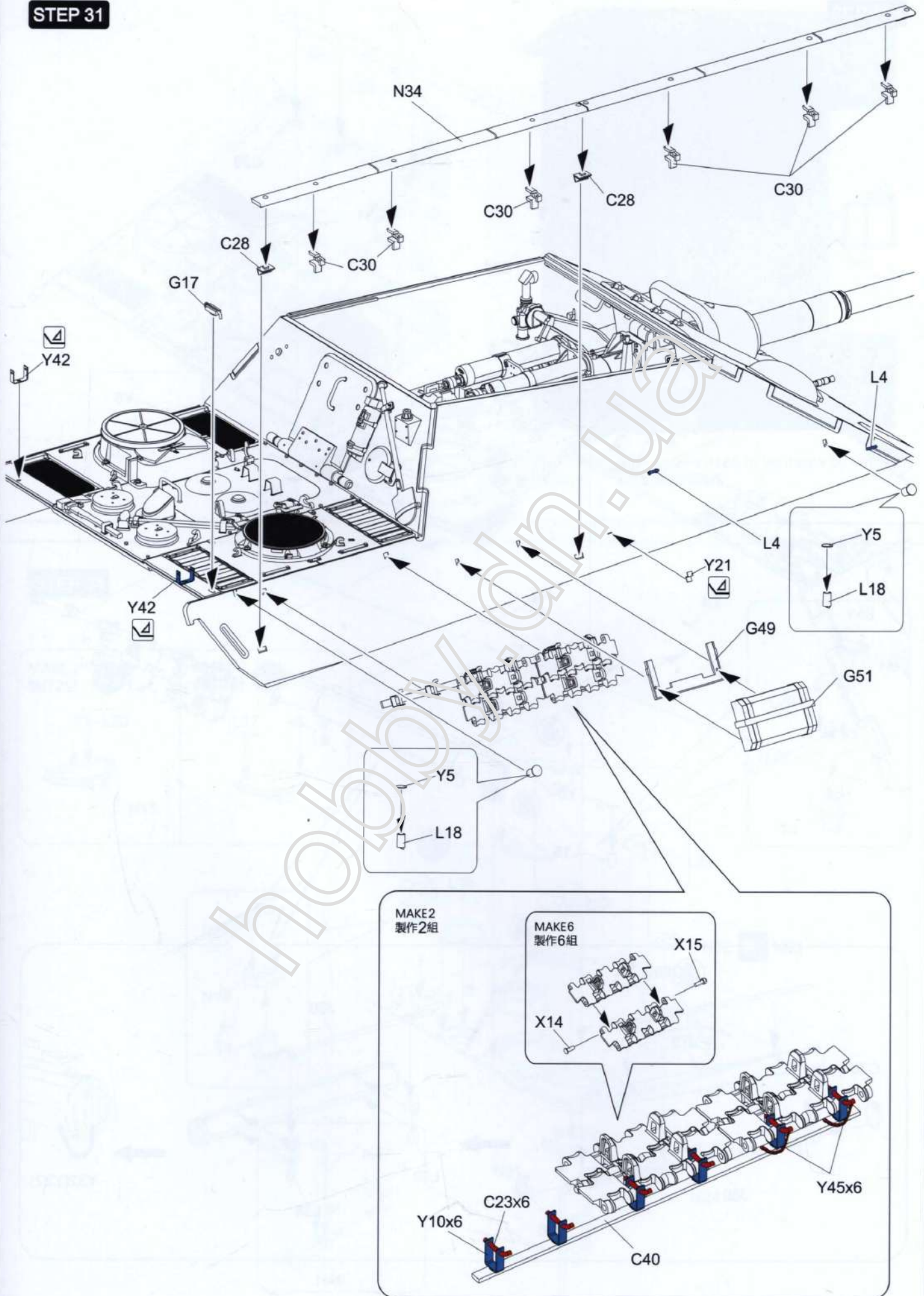
STEP 29



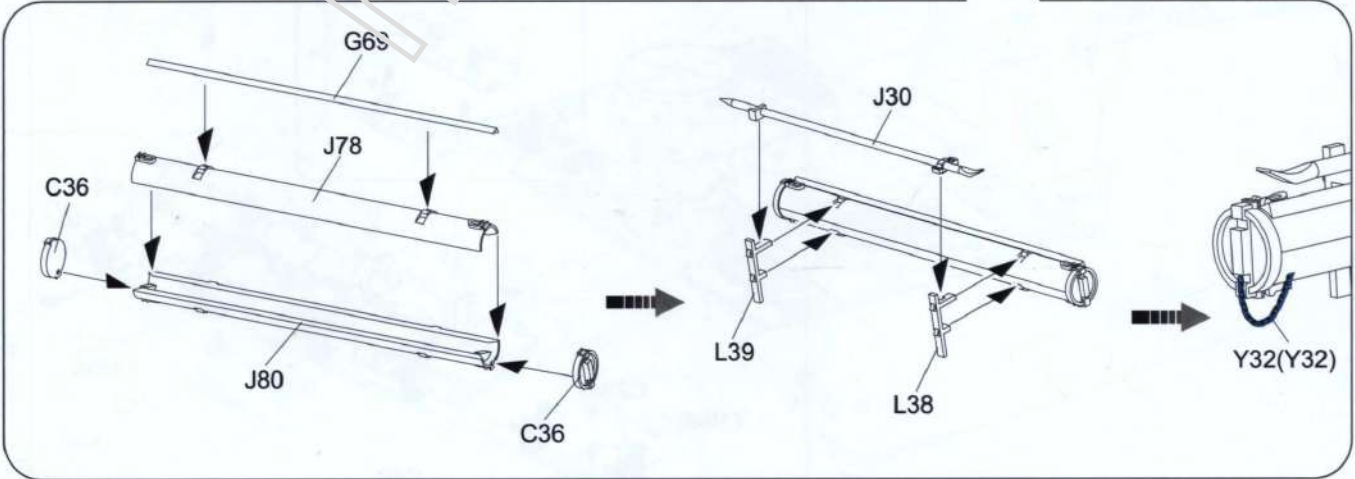
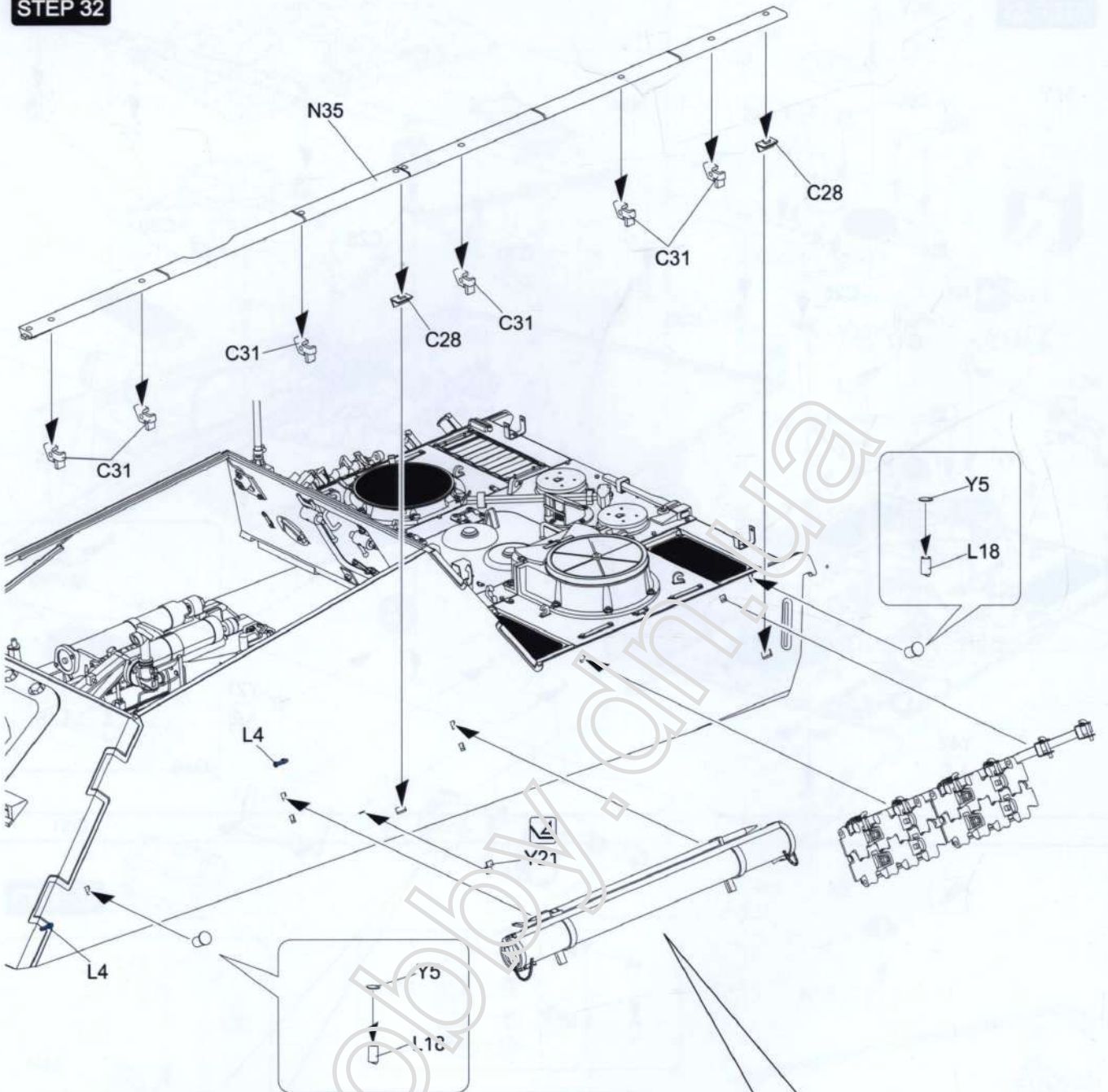
STEP 30



STEP 31

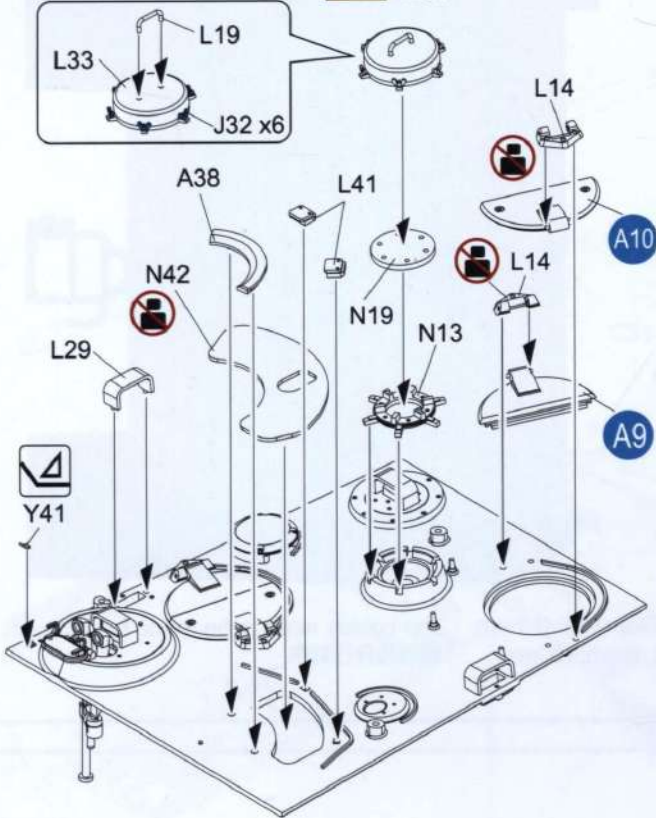


STEP 32



STEP 35

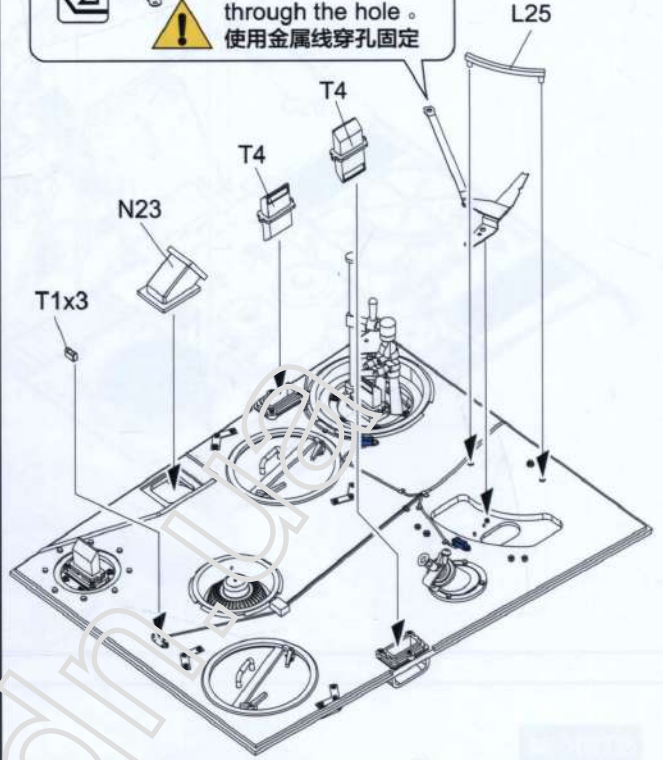
Optional
选装



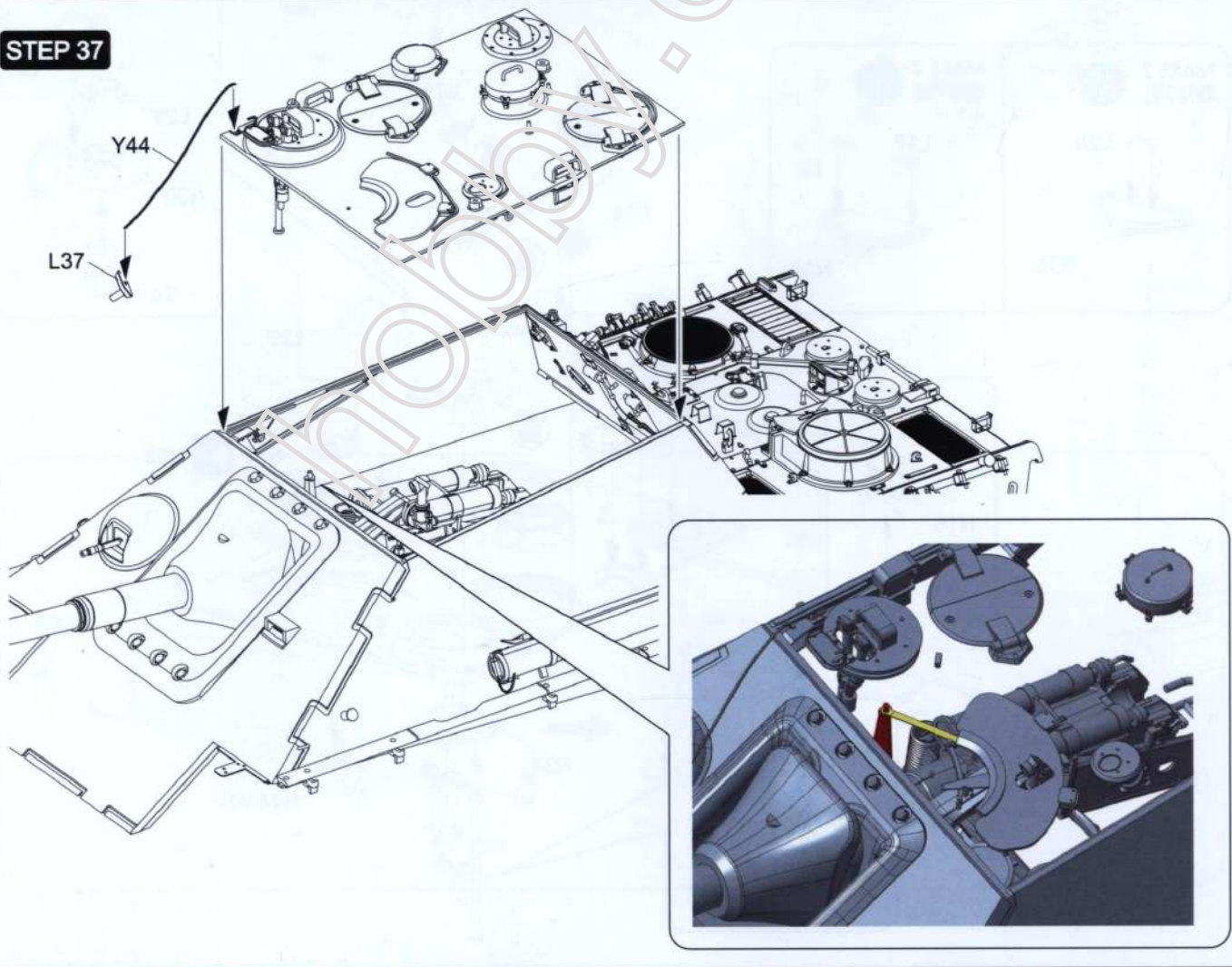
STEP 36



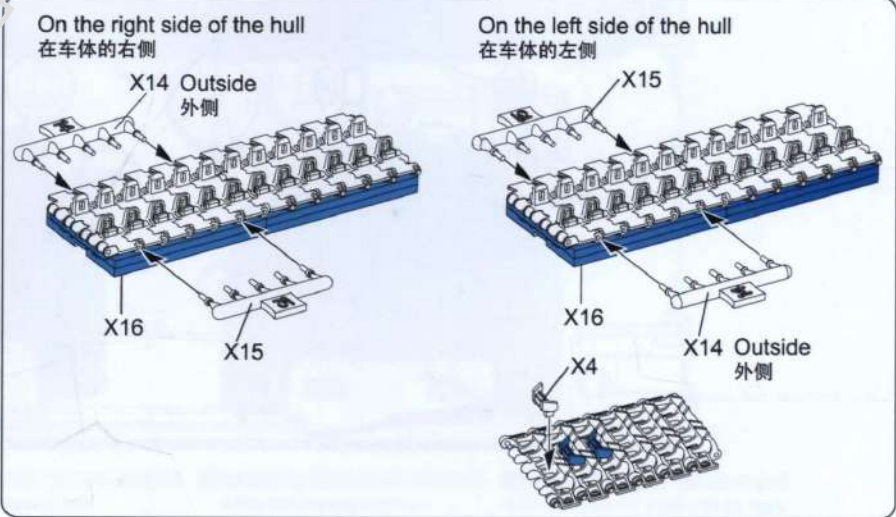
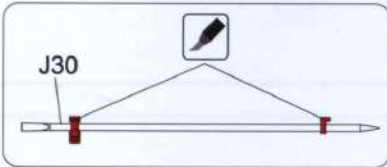
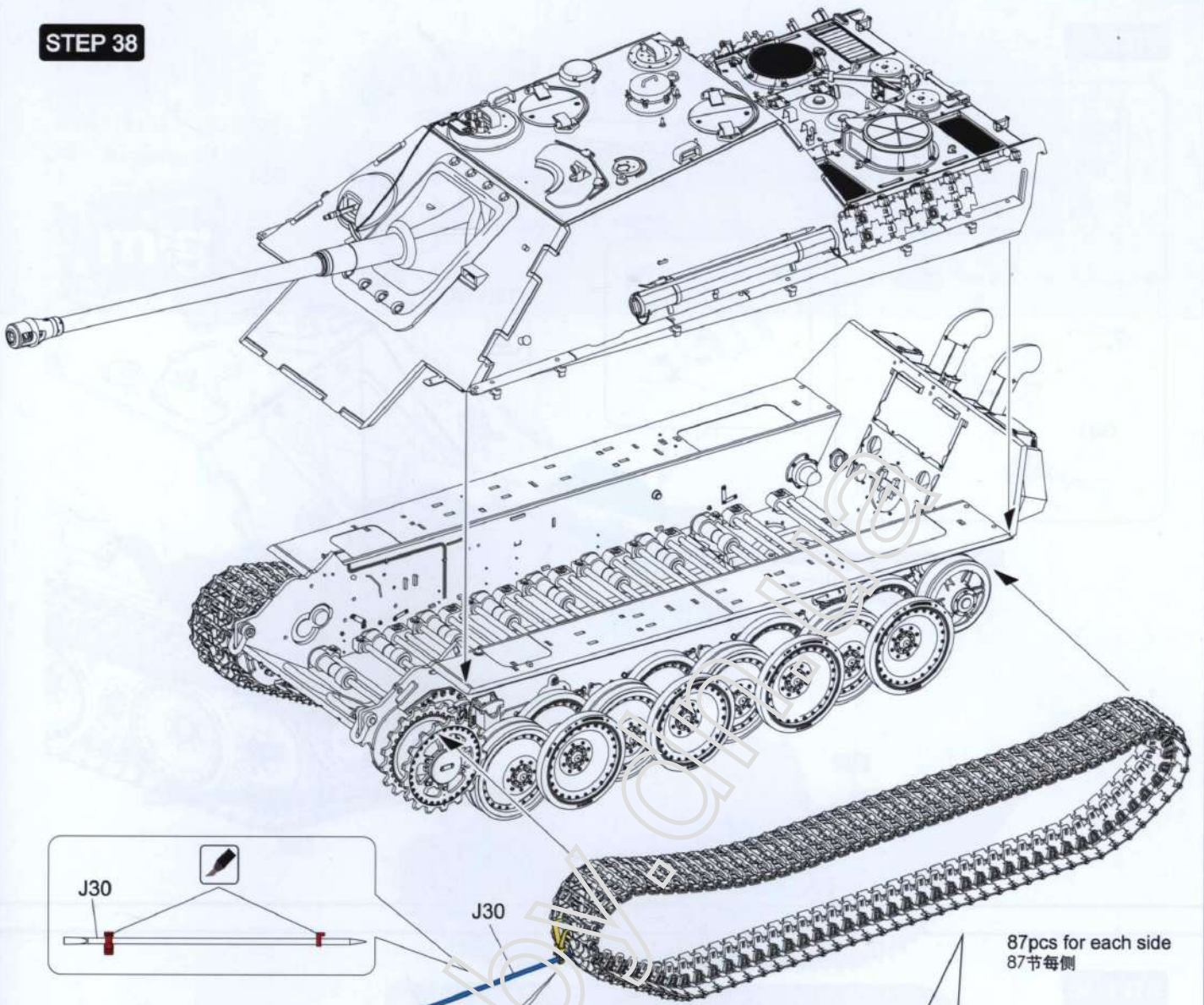
Use metal wire to
through the hole.
使用金属线穿孔固定



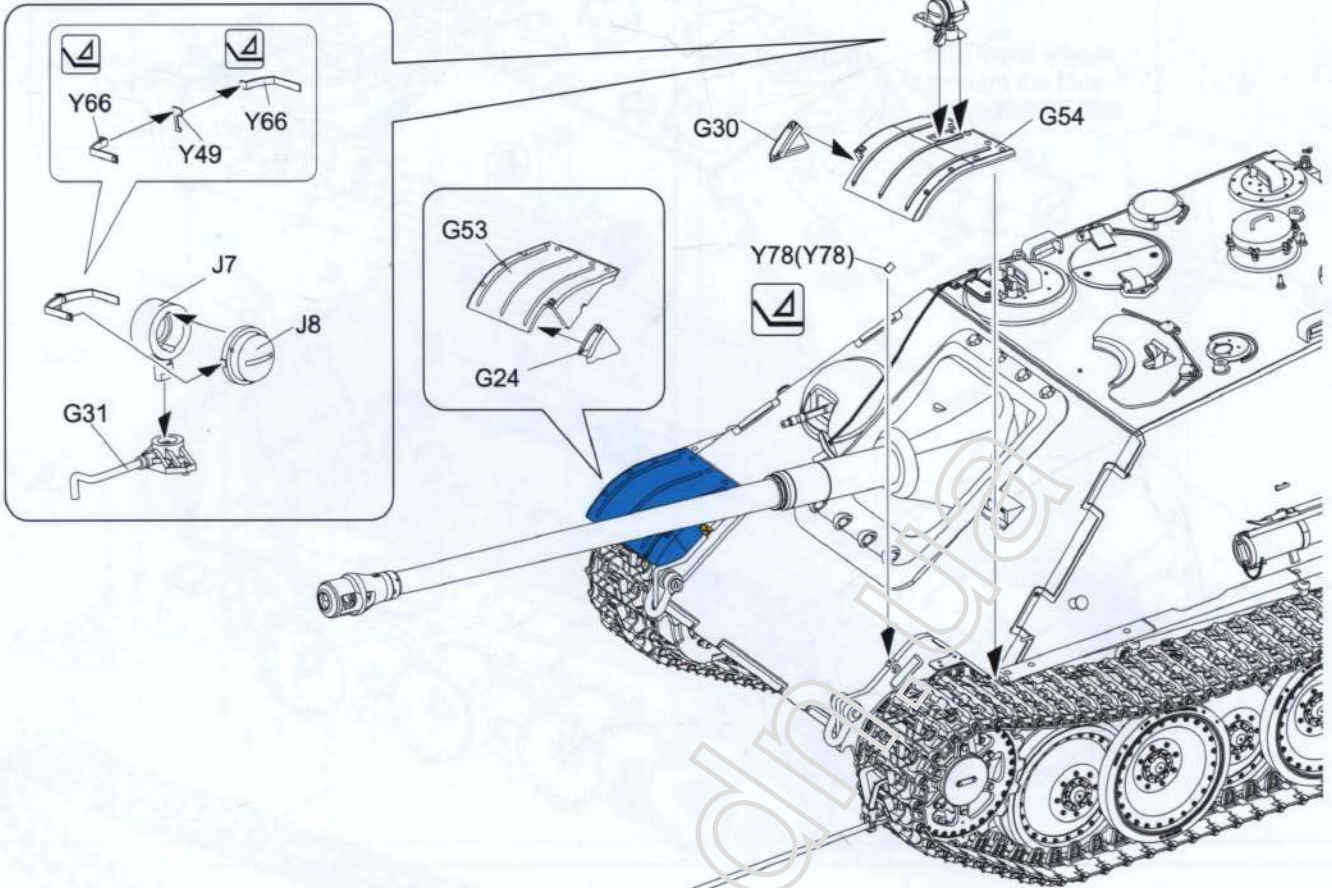
STEP 37



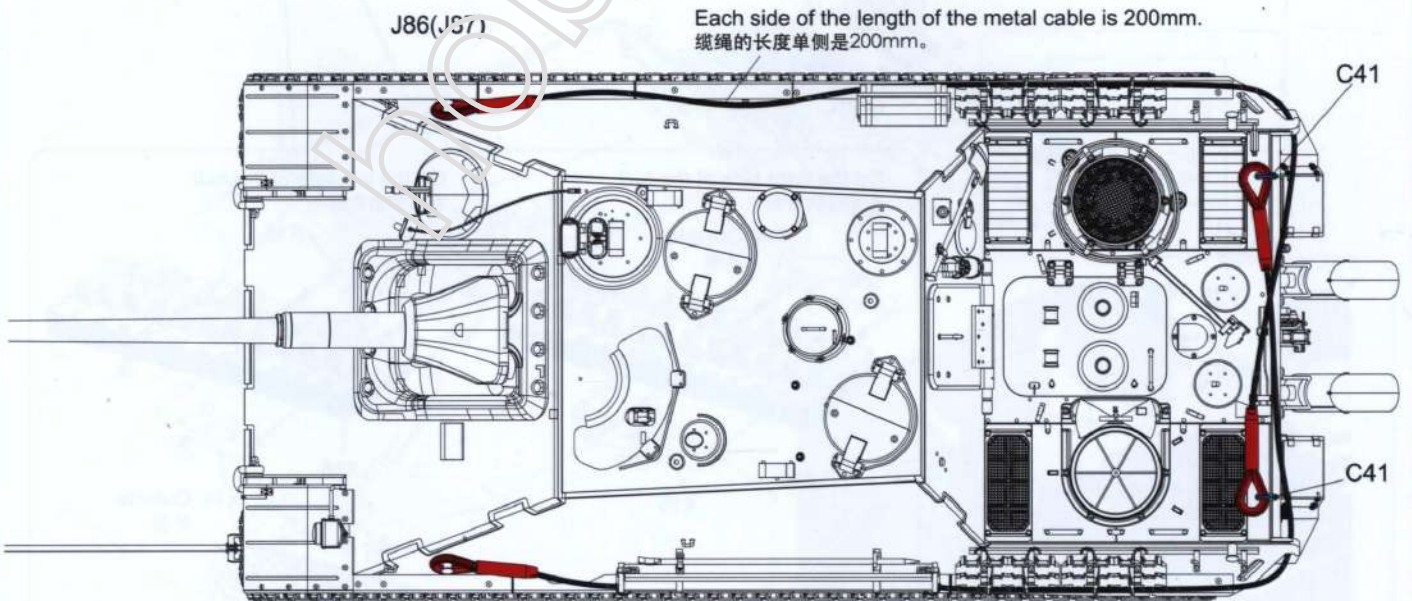
STEP 38



STEP 35



STEP 36



RFM

RYEFIELD MODEL®

www.migjimenez.com



JAGDPANTHER G2

Painting and Marking Guide

 A.MIG 003 Resedagrün	 A.MIG 012 Dunkelgelb AUS'44 III	 A.MIG 014 Rotbraun
 A.MIG 033 Rubber & Tires	 A.MIG 035 Dark Tracks	 A.MIG 036 Old Wood
 A.MIG 037 New Wood	 A.MIG 045 Gun Metal	 A.MIG 096 Crystal Periscope Green



WEATHERING STEPS WITH AMMO PRODUCTS

- | | | | |
|----------------------------------------------------------------|--------------------------------------------------|----------------------------------------------------|-------------------------------------------------------------|
| 1 GENERAL WASH
A.MIG-1000 Brown Wash for Dark Yellow | 3 STREAKING
A.MIG-1203 Streaking Grime | 5 RUST
A.MIG-1204 Streaking Rust Effects | 7 MUD
A.MIG-1701 Thick Soil A.MIG-1751 Dry Steppe |
| 2 FILTER
A.MIG-1511 Brown for Dark Yellow | 4 TRACK WASH
A.MIG-1002 Tracks Wash | 6 DUST
A.MIG-3012 Sand | 8 GREASE & OIL
A.MIG-1408 Fresh Engine Oil |

RFM

RYEFIELD MODEL®

www.migjimenez.com



JAGDPANTHER G2

Painting and Marking Guide

 A.MIG 004 B Resedagrün	 A.MIG 011 Dunkelgelb AUS'44 I	 A.MIG 014 Rotbraun
 A.MIG 033 Rubber & Tires	 A.MIG 035 Dark Tracks	 A.MIG 036 Old Wood
 A.MIG 038 Light Wood	 A.MIG 045 Gun Metal	 A.MIG 096 Crystal Periscope Green



WEATHERING STEPS WITH AMMO PRODUCTS

1 GENERAL WASH A.MIG-1005 Dark Brown Wash for Green vehicles	3 STREAKING A.MIG-1206 Dark Streaking Grime	5 RUST A.MIG-3510 Rust	7 MUD A.MIG-1704 Heavy Earth A.MIG-1753 Turned Dirt
2 FILTER A.MIG-1510 Tan for 3 Tone Camo	4 TRACK WASH A.MIG-1002 Tracks Wash	6 DUST A.MIG-3011 Airfield Dust	8 GREASE & OIL A.MIG-1408 Fresh Engine Oil