

72nd Scale

NO.

125

PBY CATALINAS

The MICRO SCALE DECAL

MANUFACTURED BY KRASEL INDUSTRIES, INC., SANTA ANA, CA. 92705

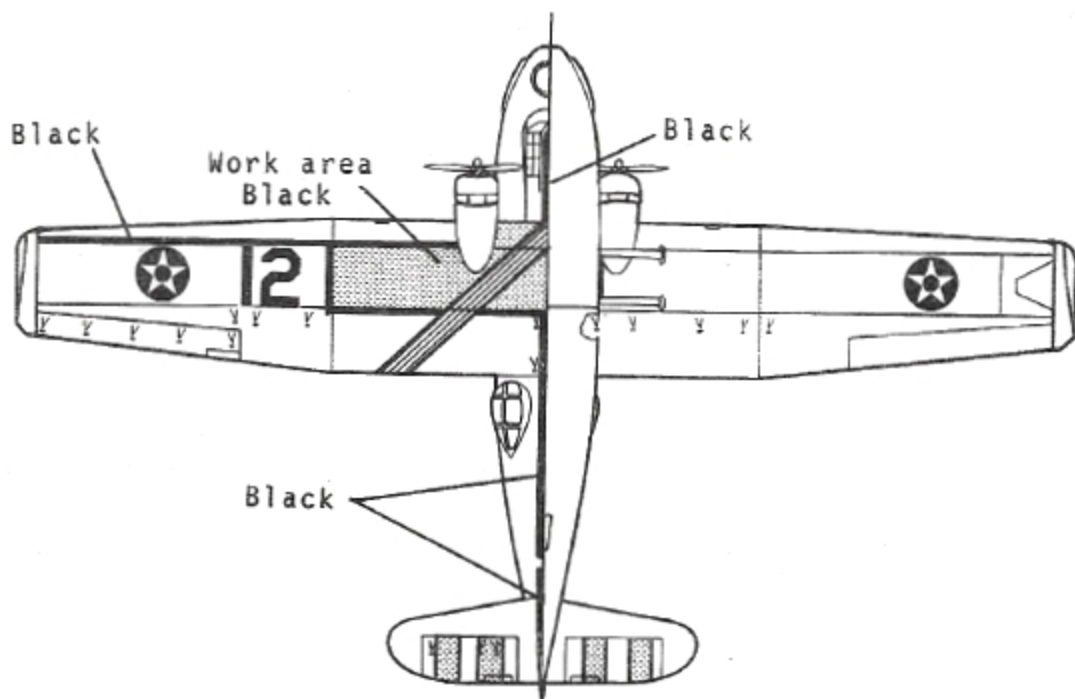
AIRCRAFT

\$1.75

Recommended models:

Revell PBY-5

Revell PBY-5A



"V" zipper access panels: use black "V's" on light surfaces, white "V's" on dark surfaces.

Instrument panels - paint panel light gray, FS 36280, then apply decal.

Federal Standard Numbers:

Sea blue FS 15042

Red FS 11136

Yellow FS 13538

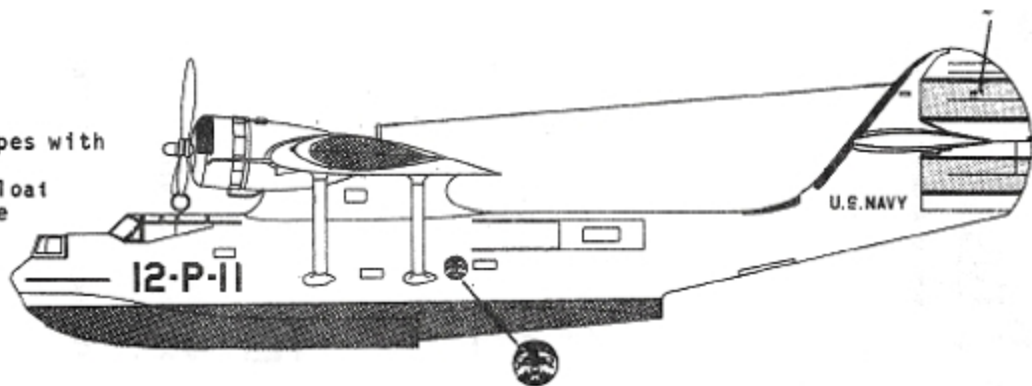
Light blue FS 15102

National insignia is available on Microscale Sheet #72-1.  
Blue bordered insignia on #72-13.

★ The International Plastic Modelers Society is an organization devoted to developing the plastic modeling art. It was formed "by modelers - for modelers". If you wish to expand your modeling talents, write for further information to:  
IPMS/USA, P.O. Box 163, Ben Franklin Station, Wash. D.C. 20044.

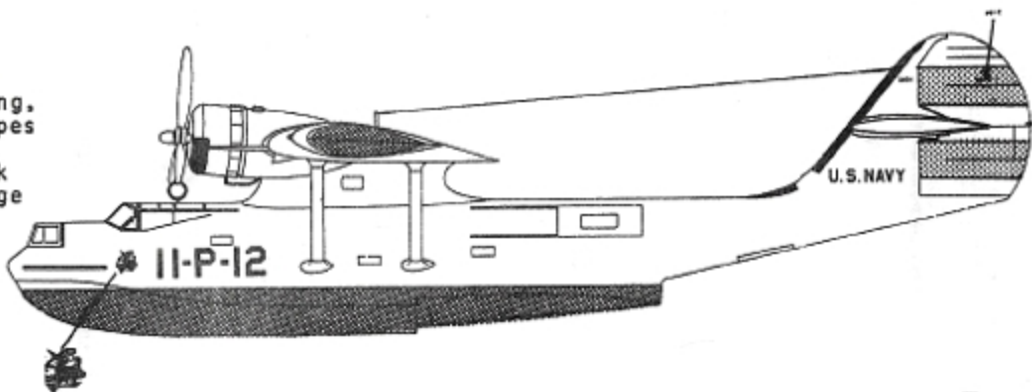
**PBY-1 VP-12**

Overall silver paint  
 Lt. Blue rudder and elevator stripes with black edging.  
 Black upper cowl half, hull and float bottom, wing stripes and fuselage walkways.



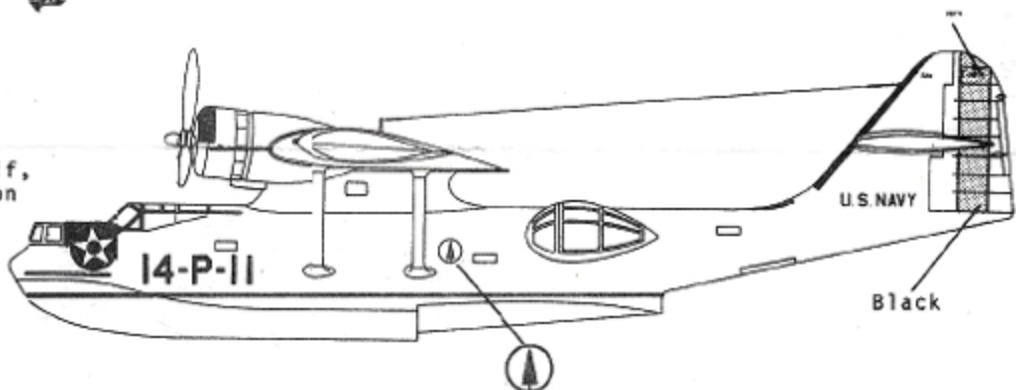
**PBY-2 VP-11**

Overall silver paint  
 Red formation stripe on top of wing.  
 Lower half on engine cowls, stripes on elevators and rudder.  
 Black hull and float bottoms, work area and stripes on wing, fuselage walkways.



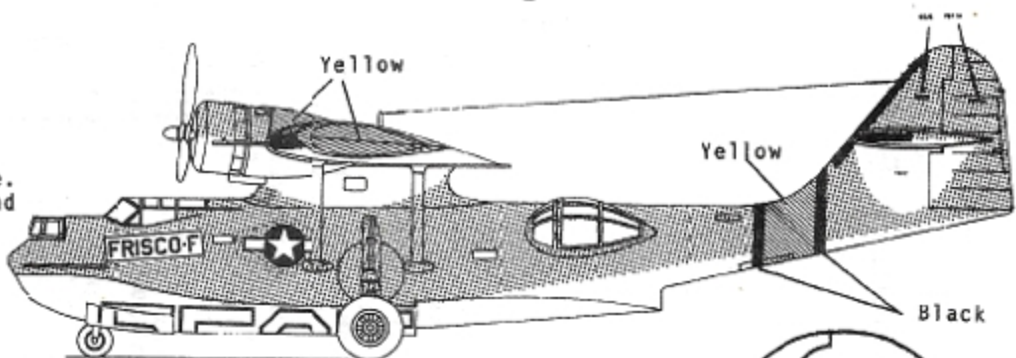
**PBY-5 VP-14**

Overall silver paint  
 Black rudder stripe, upper cowl half, wing stripes, anti-glare, stripe on hull, fuselage walkways.



**PBY-5A**

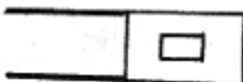
Sea blue top  
 White bottom  
 Yellow wingtips including floats, nacelle tops, band around fuselage.  
 Black edge to yellow on wingtips and fuselage band.  
 Black de-icer boots  
 Blue bordered insignia



VP-2      VP-7      VP-10      VP-5



Wing tip detail



Full size templates for fuselage hatches and rudder for PBY-1 and -2.

