

IDF APC Nagmachon(Doghouse I)

装甲步兵戰鬥車ナグマホン(ドッグハウスI) 以色列纳格马肖恩装甲运兵车(狗窝塔楼I型)

PLEASE READ BEFORE OPERATION!

- * Tools recommended as below: (Not included)
Adhesives; Paints; Side Cutters; Sharp Edged Pliers; Modeling Knife; Modeling File; Nippers; Drill; Scissors; Sand Paper; Soft Cloth; Cyanoacrylate Glue.
- * Make sure to read this instruction listed below before assembling.
- * The kit contains the small parts, they can be dangerous if swallowed by mistake, so keep them away from reach of children.
- * Cut the all parts off carefully and remove the waste parts into the garbage can.
- * More caution and care should be needed for cutting and handling the photo etched parts.
- * Make attention that some parts should be attached the decal when assembled.
- * During assembling, please tear up and throw away the plastic bags, or may cause the dangerous if wearing over head by children's mistake.
- * When using the adhesives and paints, please do not use them in the closed room or near the fire, also must be very careful to protect your eyes, face and clothes.
- * Adult supervised when assembled by children under 14 years old.

装配前请仔细阅读:

- * 推荐使用的模型工具(请自备):
专用模型胶水, 专用模型油漆, 水口剪刀, 长咀钳, 刀片, 锉刀, 镊子钳, 钻, 剪刀, 软布, 砂纸, 瞬间快干胶等。
- * 用水口剪刀或刀片小心切下所有塑胶零件和蚀刻片零件, 不要遗失小零件。
- * 切取蚀刻片时应特别注意防止利边划伤手指。
- * 用模型锉刀小心锉平所有零件表面的注射浇口。
- * 用适量的强力快干胶水粘合蚀刻片零件和金属轴, 切忌过量, 否则可能导致可动零件被粘住。
- * 注意某些零件表面需在装配时同步贴上水贴纸。
- * 制作时应远离幼儿并将包装袋及时收妥, 谨防小孩玩耍而引起意外。



using ca super glue
使用强力胶



weight
配重



make hole
钻孔



cut / remove
切除



option
选择



no cement
不涂胶水



decal
贴纸



bend
弯曲



repair
填补



install it first
先装

The method to apply the decals

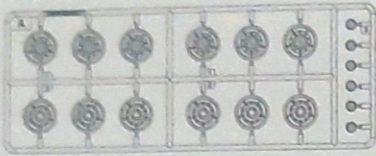
1. Cut off the decal from the decal paper and put it into the warm water 40°C for 10 seconds.
2. Take the decal from the water and put it on a piece of clean cloth.
3. Remove the decal slowly from the paper to the targeted location by a wet finger.
4. Use a piece of dry and soft cloth to press it gently on the decal until it getting dry and no bubble existing.

水贴纸的使用方法:

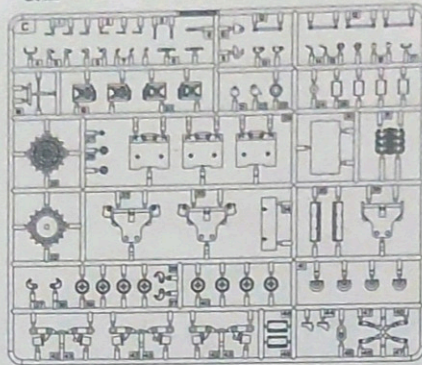
- 一. 把相关的印花从水贴纸上剪下, 放入40°C左右的温水中浸10秒。
- 二. 然后将印花放在干净的布上。
- 三. 拿上印花纸, 手指蘸水将印花移到适当的位置。
- 四. 用软干布轻压印花直至水干, 气泡消失。

部品图
Parts

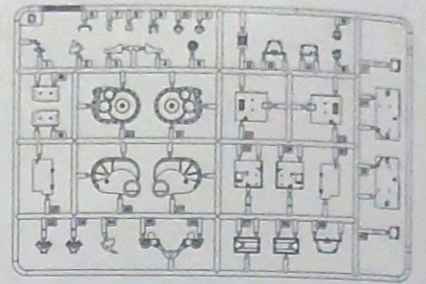
Ax2



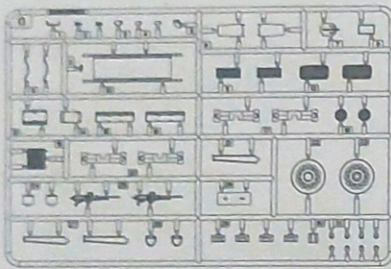
Cx2



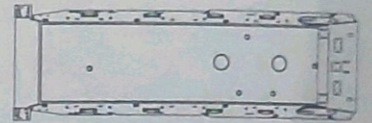
D



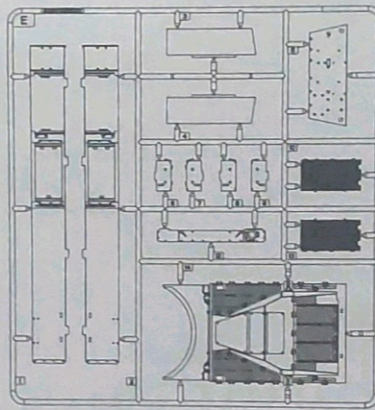
Gx2



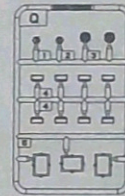
《车底》
Lower hull



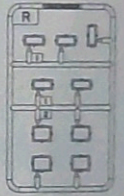
E



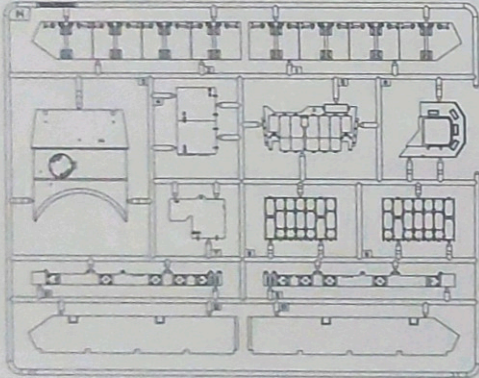
Q



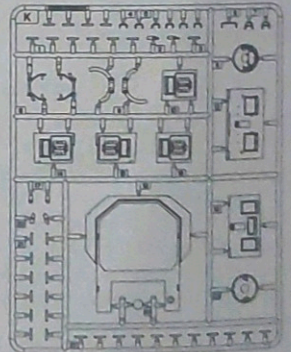
R



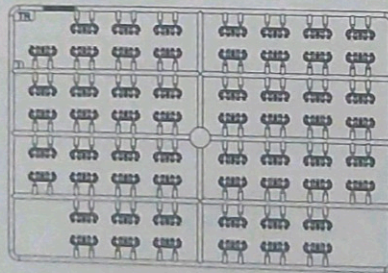
H



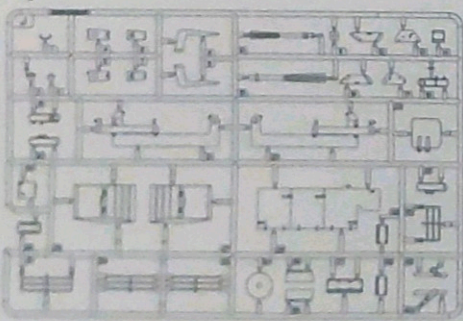
K



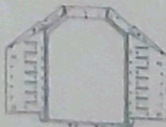
TRx4



J



E11



K13



《轮胎》
Tyre x24



《蚀刻片B》
PE-B



《蚀刻片A》
PE-A



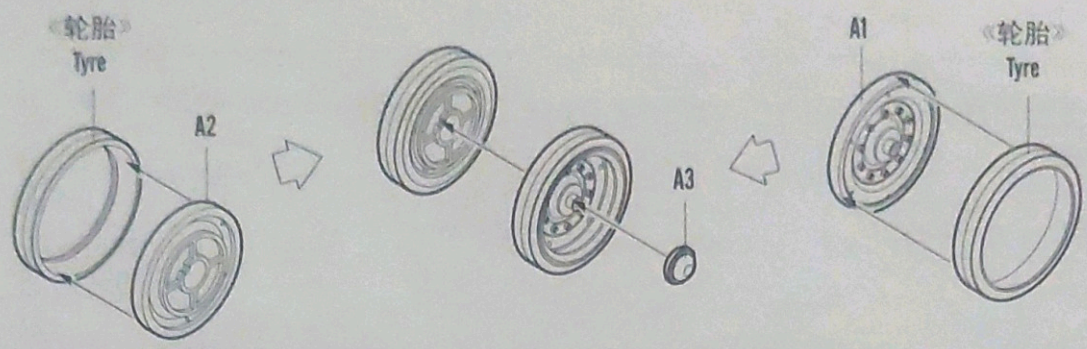
《蚀刻片C》
PE-C



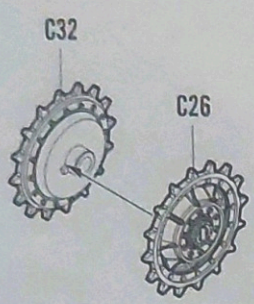
《水贴纸》
Decal



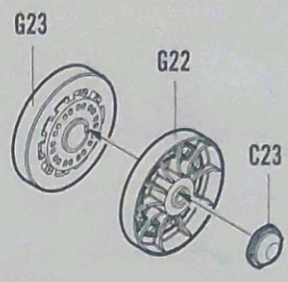
1
STEP



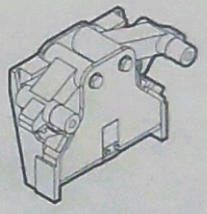
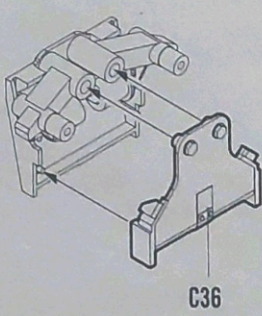
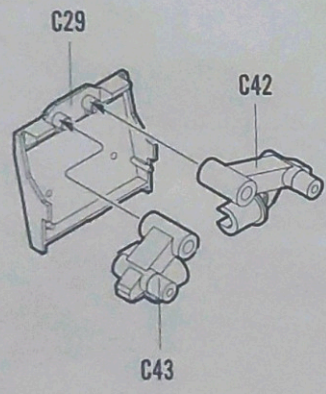
《负重轮》
Road wheels
制作12组
Make twelve



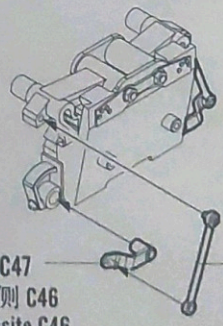
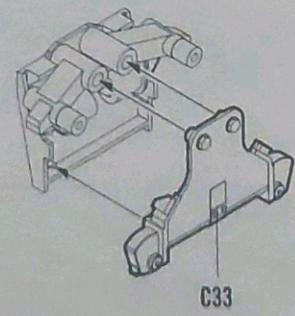
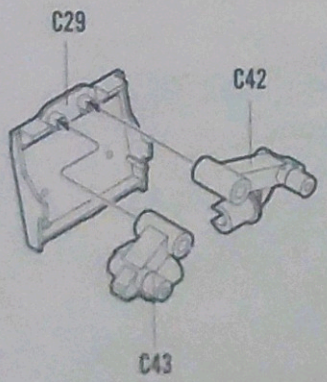
《主动轮》
Sprocket wheels
制作2组
Make two



《诱导轮》
Idler wheels
制作2组
Make two

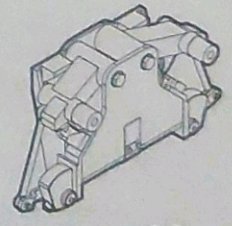


《A-A》
制作2组
Make two

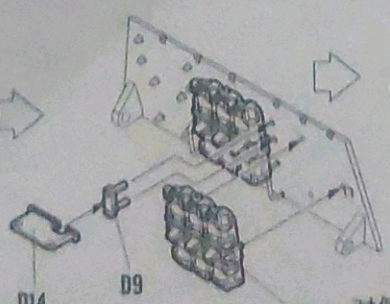
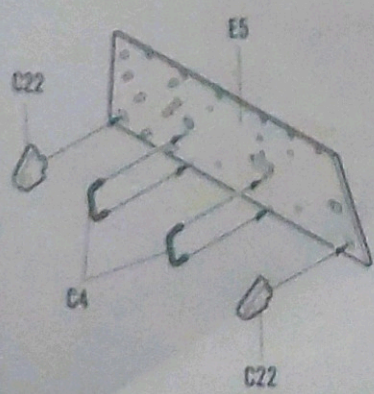


C47
对侧 C46
Opposite C46

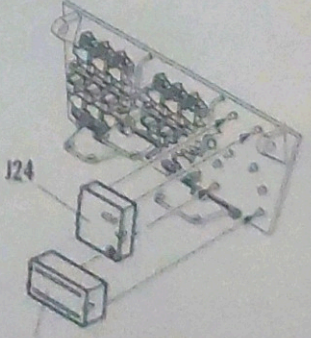
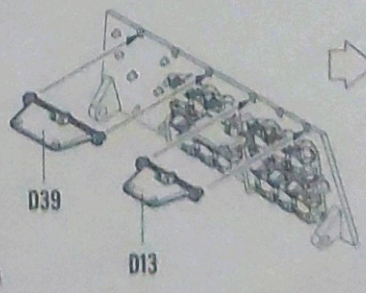
C12
对侧相同
Both sides



《B-B》
制作4组
Make four



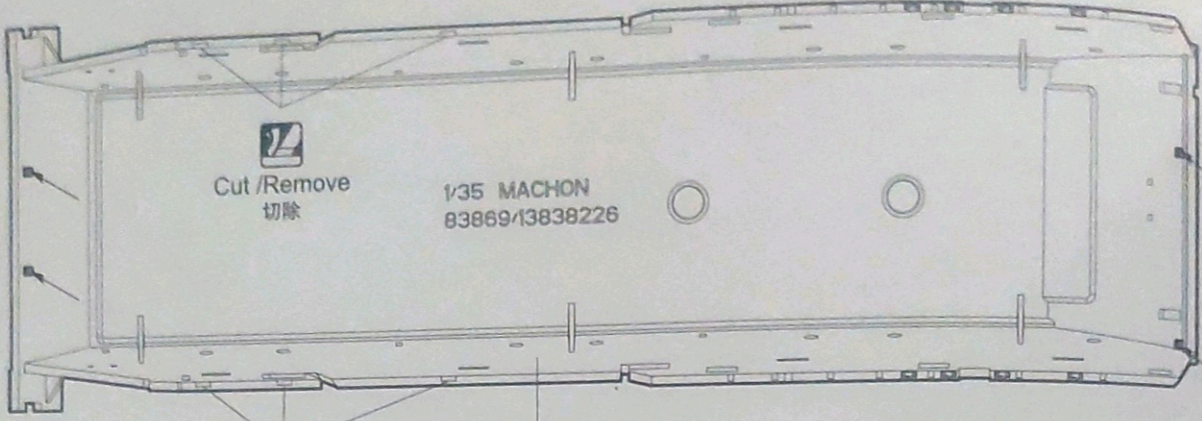
C31
对侧相同
Both sides



《后板》
Rear panel

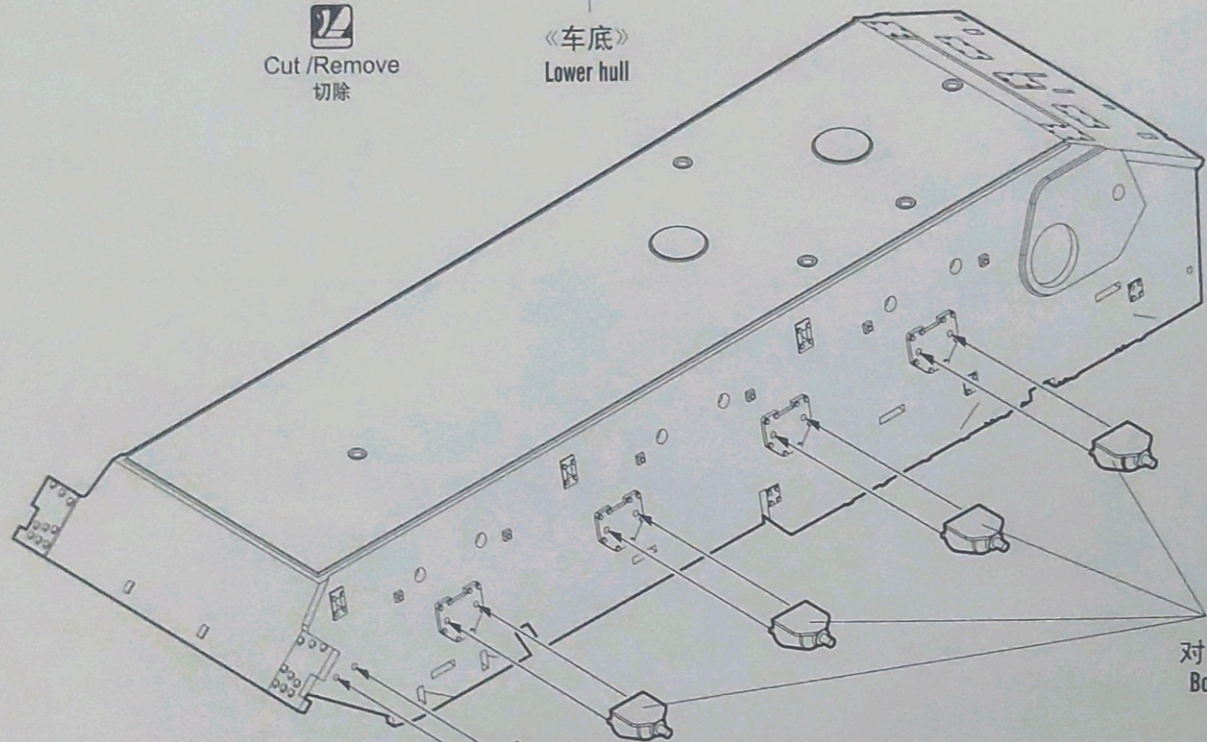
2
STEP

Make holes
钻孔

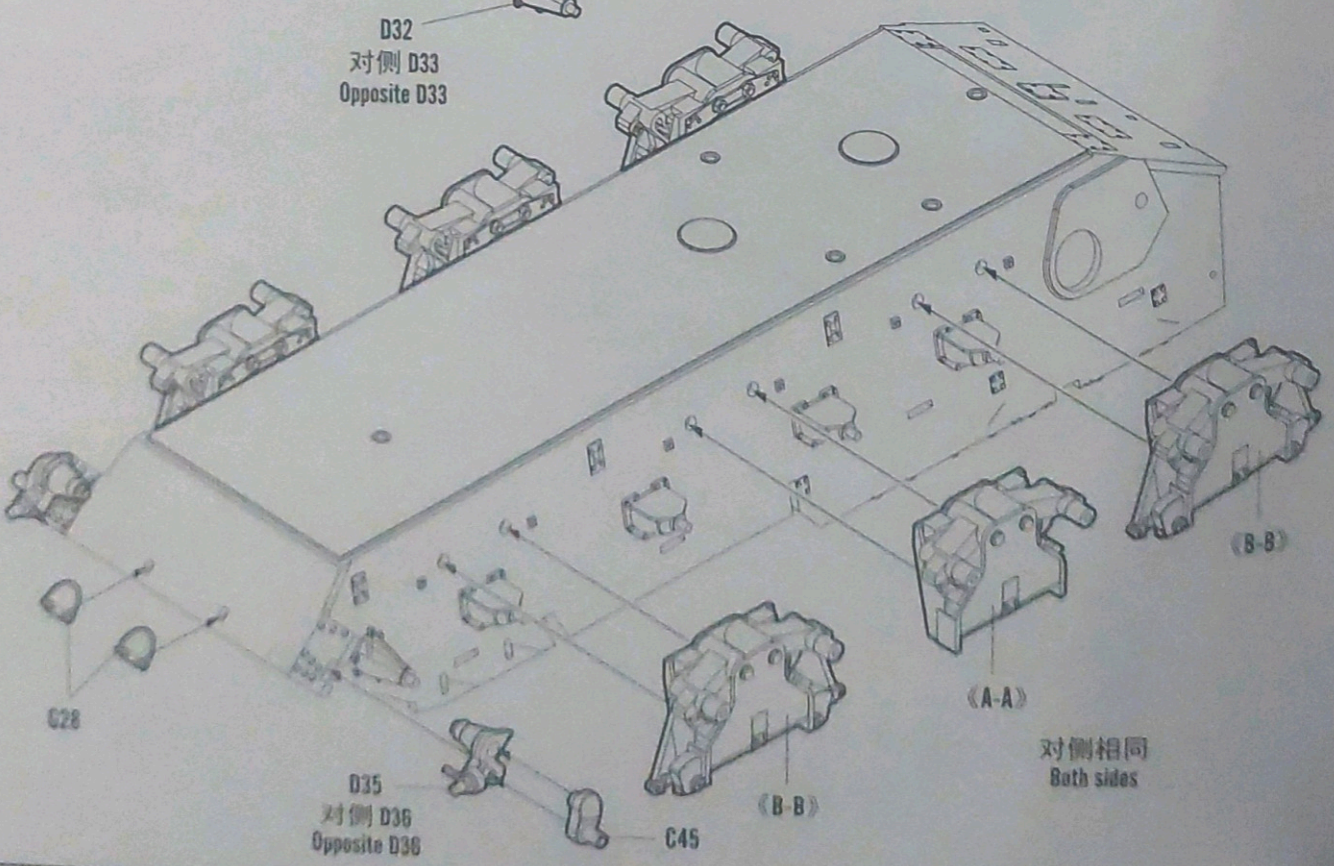


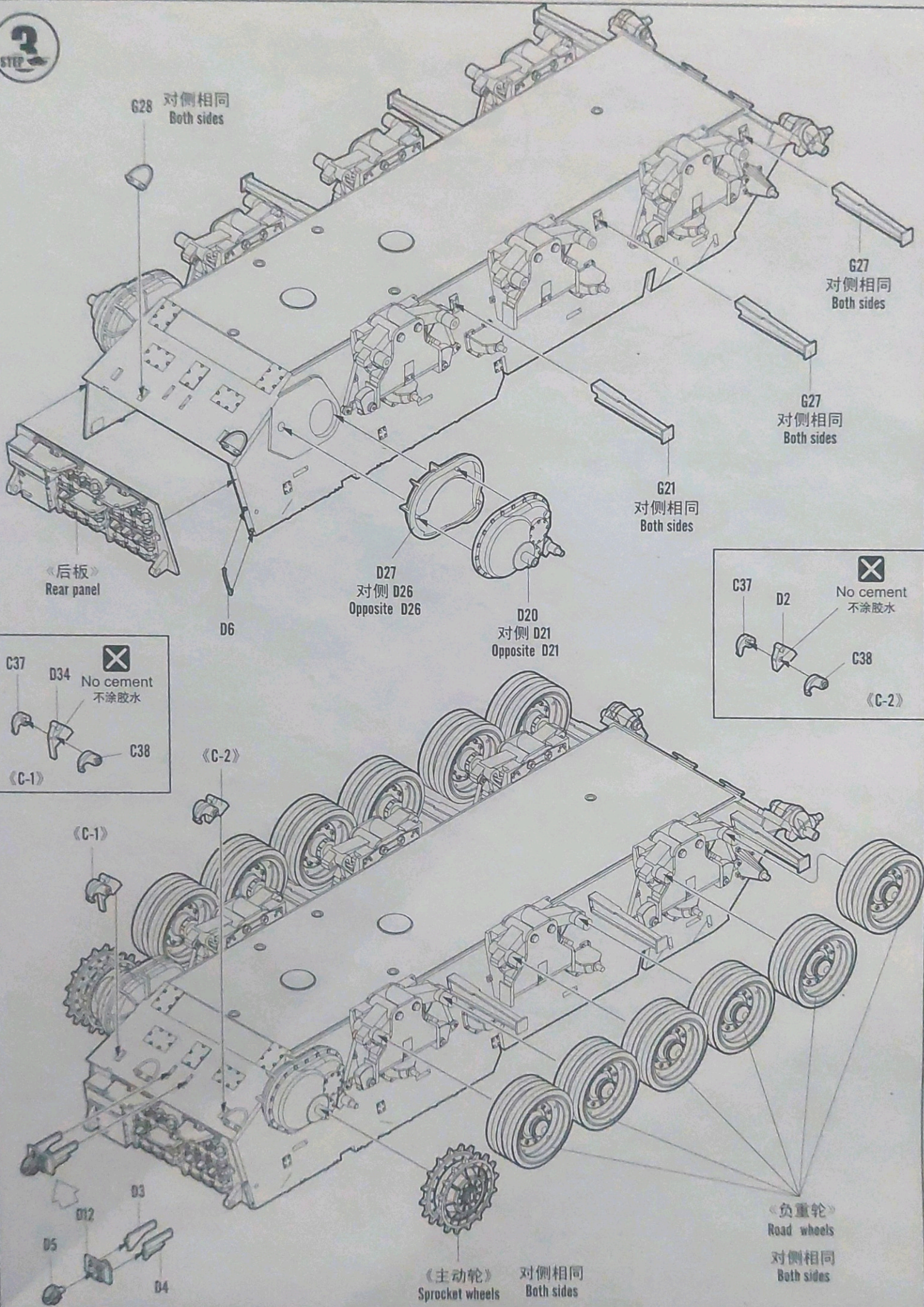
Cut / Remove
切除

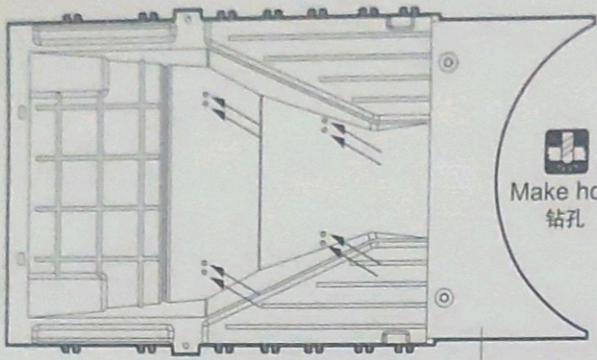
«车底»
Lower hull



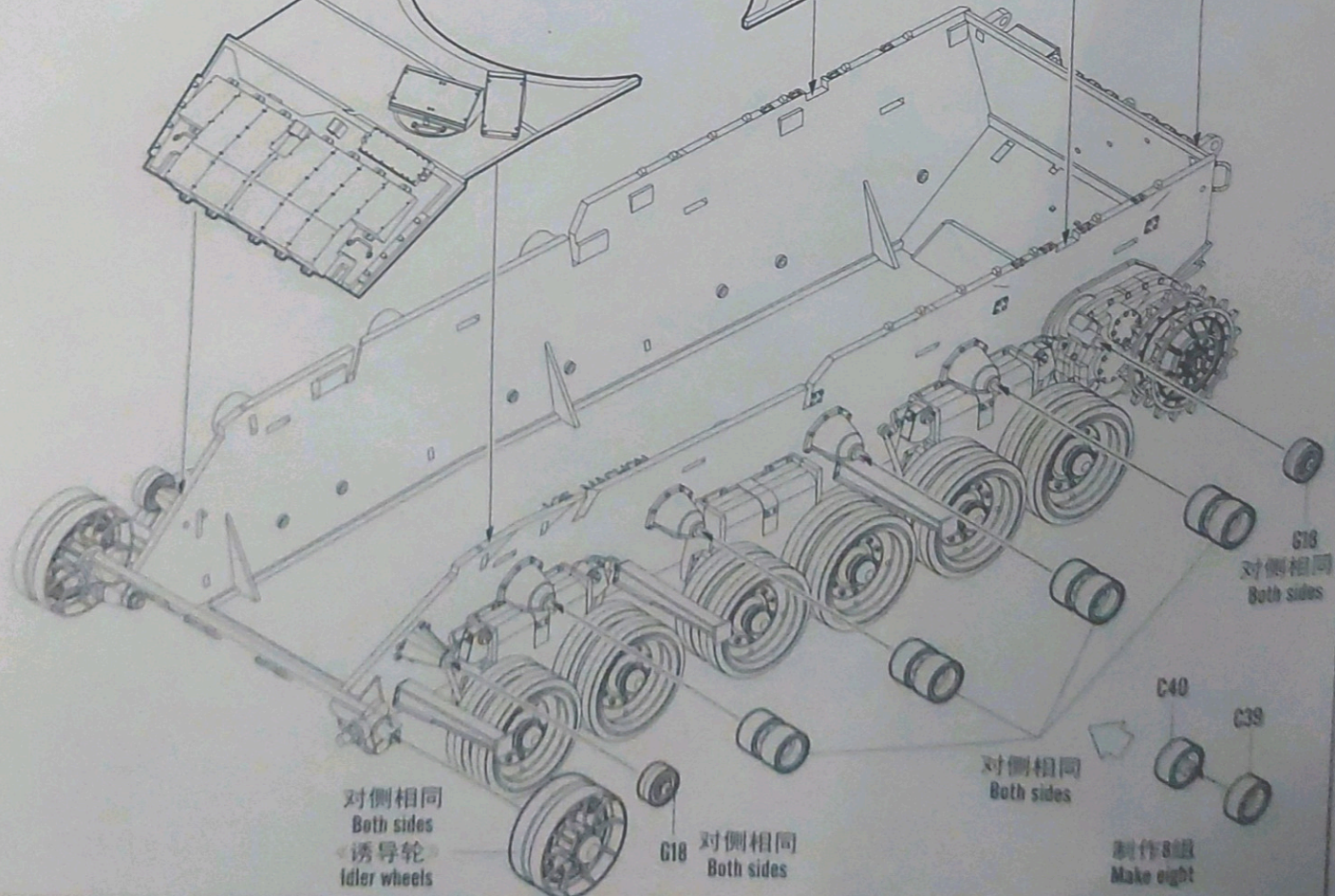
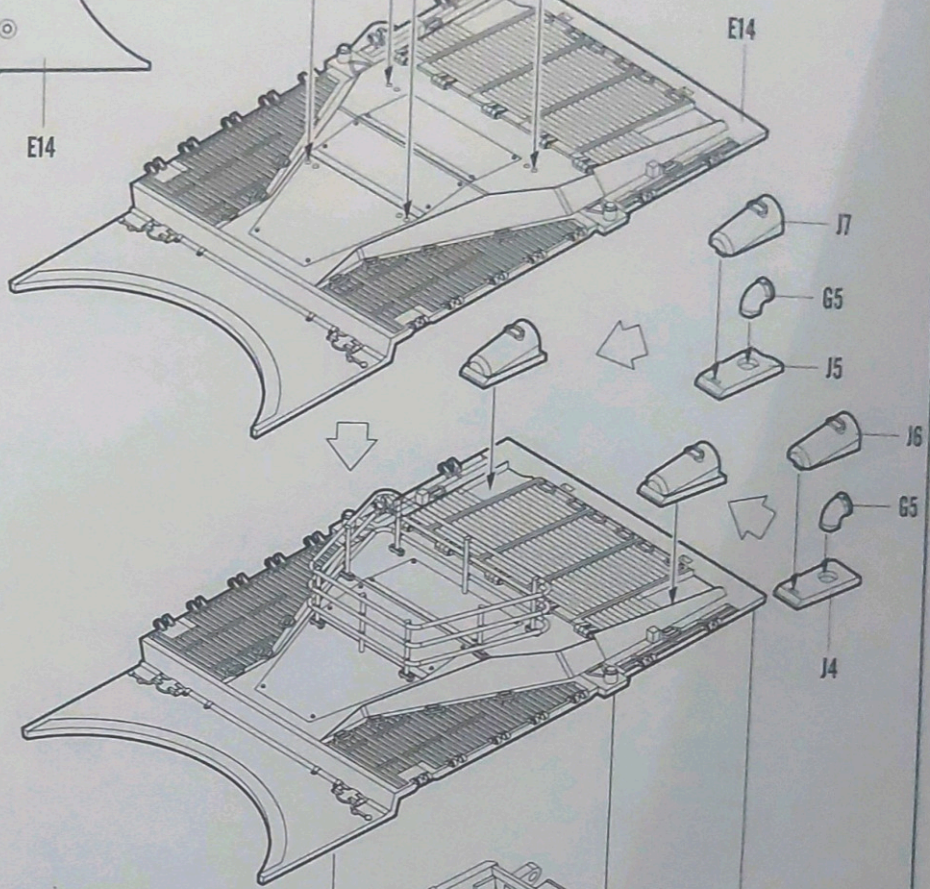
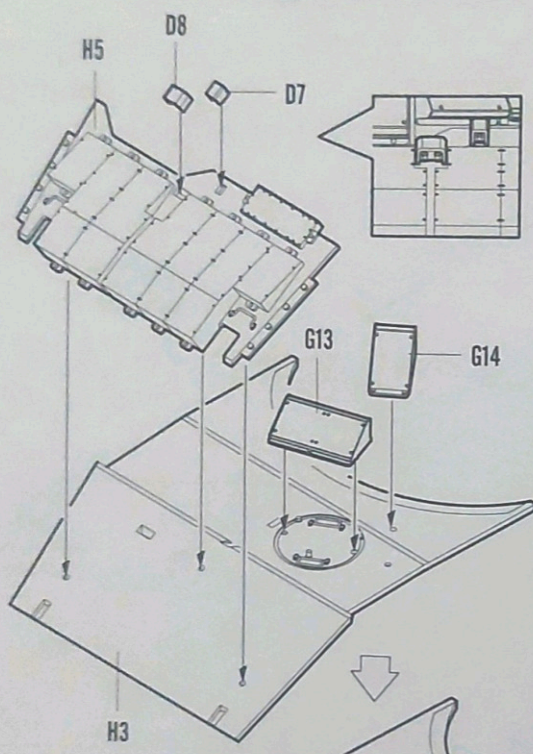
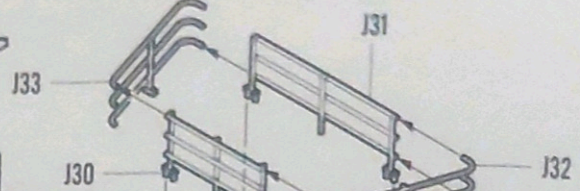
D32
对侧 D33
Opposite D33







Make holes
钻孔



对侧相同
Both sides
诱导轮
Idler wheels

对侧相同
Both sides
G18

对侧相同
Both sides
C40

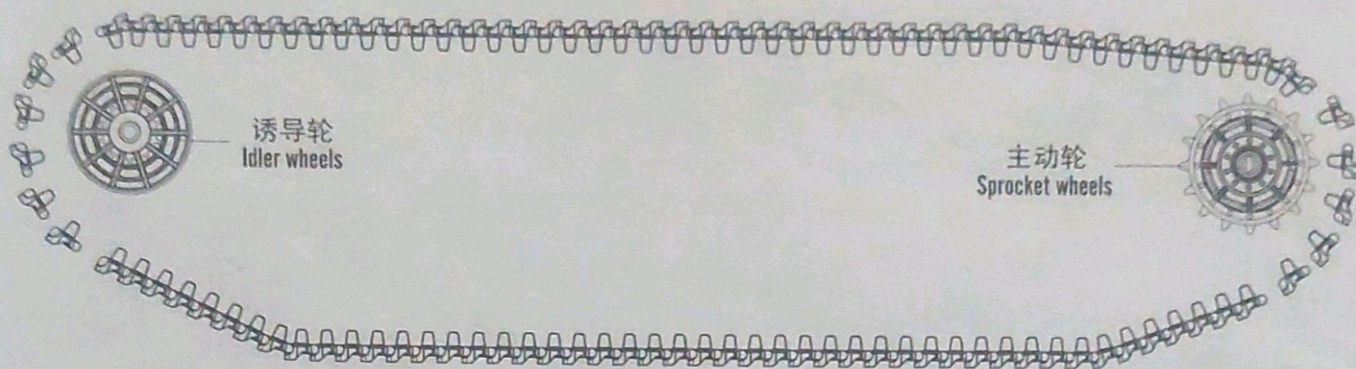
制作8组
Make eight
C39

对侧相同
Both sides
G18

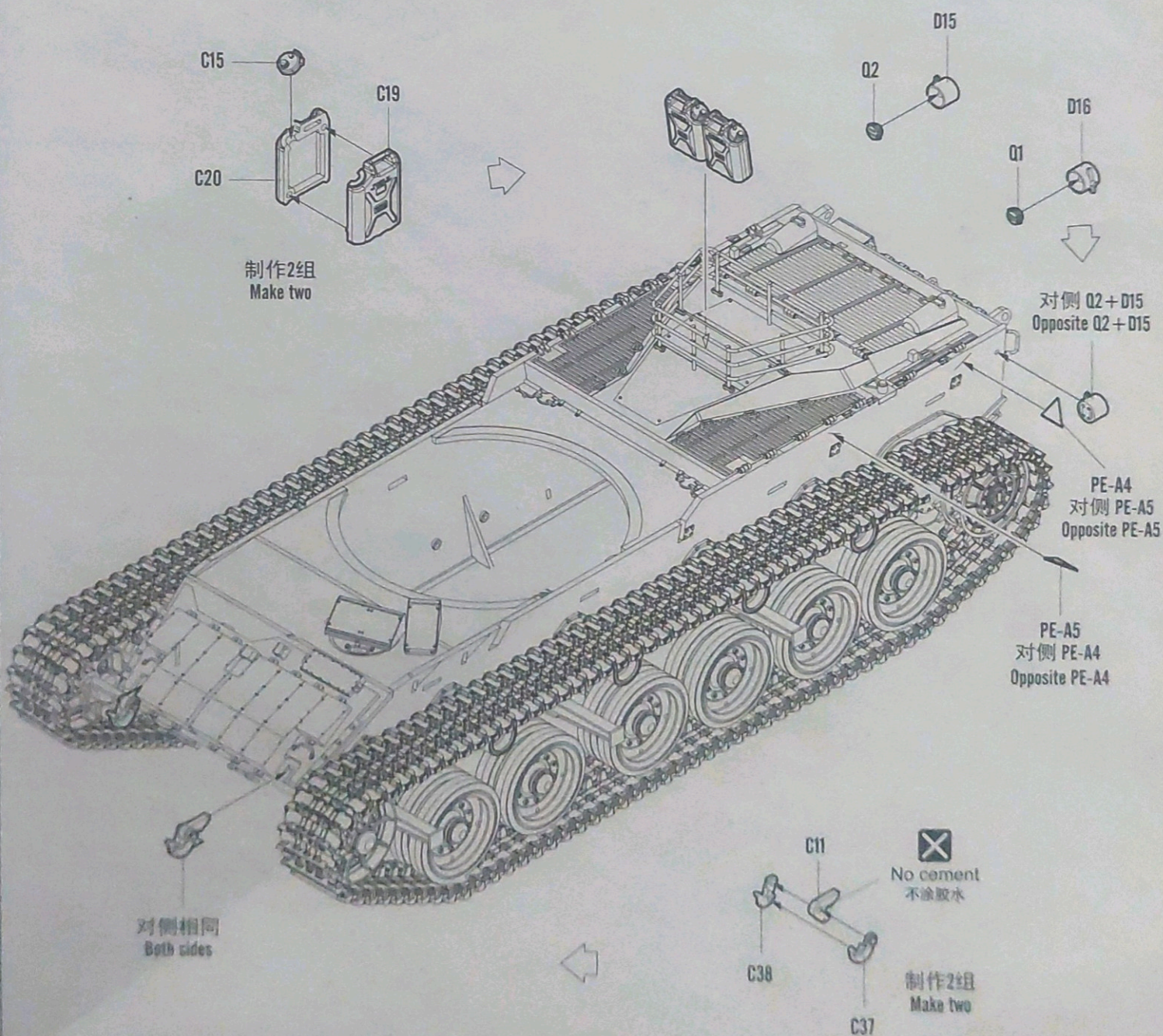


履带组装
Track assembly

单侧履约需106节
Complete track for one side requiro 106 links



制作2组
Make two



STEP 6

切除
Cut / Remove

E1

Bend
弯曲
PE-A1

Bend
弯曲
PE-B14

C15

C19

C20

C18

Q3

C21

C27

PE-B2

Bend
弯曲

J29

G24

J39

G24

J18

PE-B1

PE-B3

E1

E13

Bend
弯曲
PE-B9

J27

E7

E8

C34

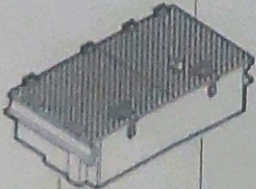
E7

C30

D-1

PE-B6
Bend
弯曲

D-1



G26

J36

H11

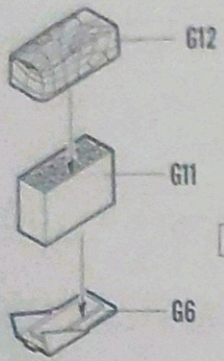
Make holes
穿孔

G30

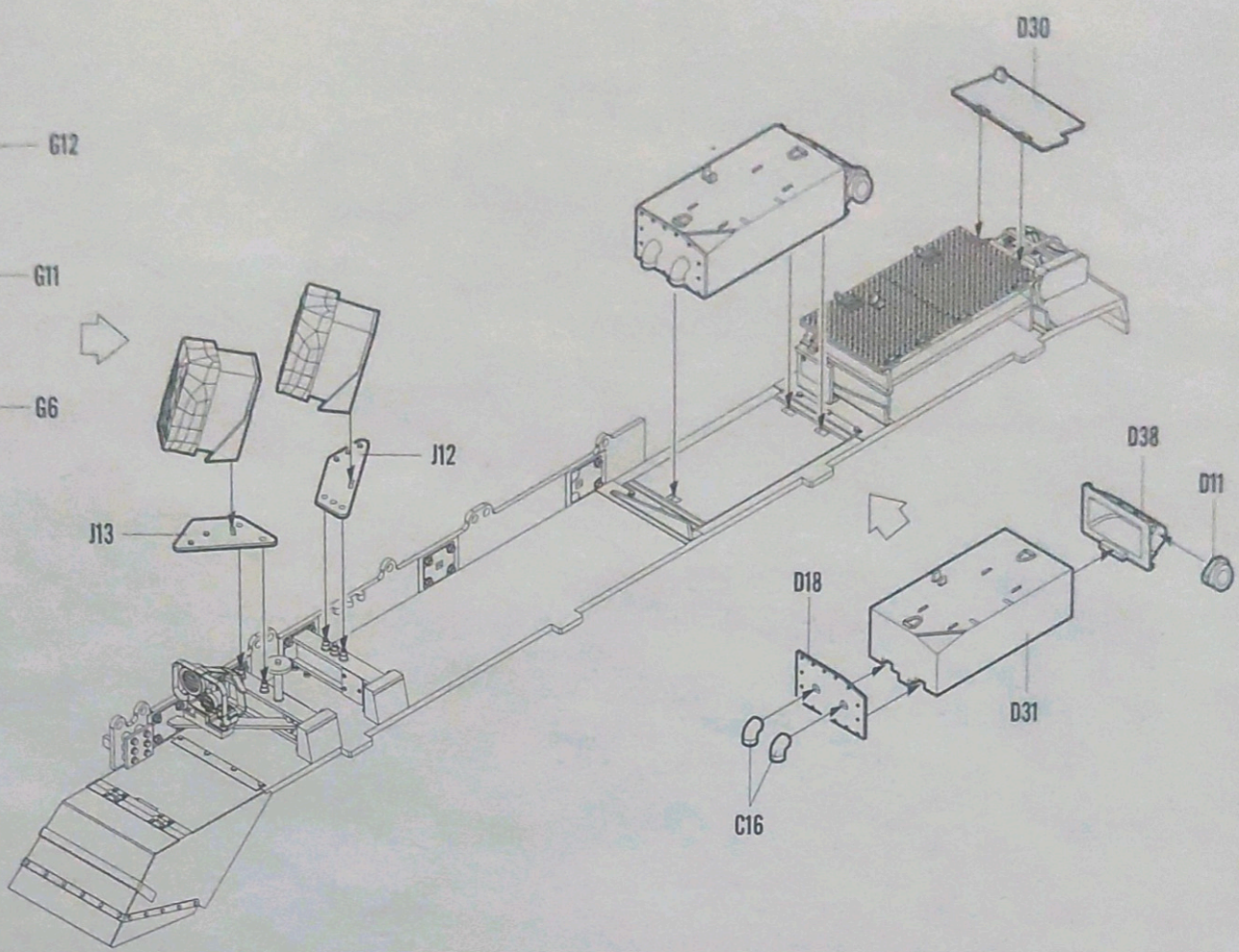
H12

G30

7
STEP

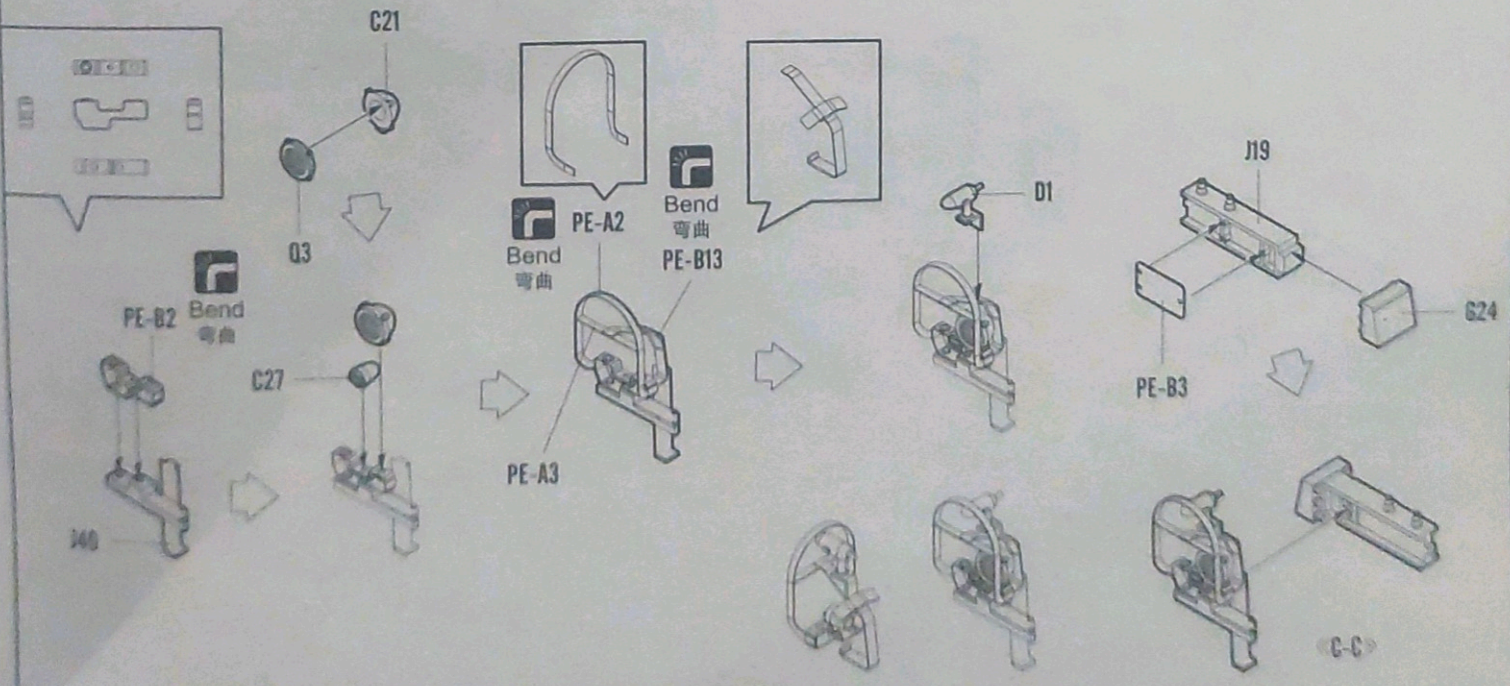
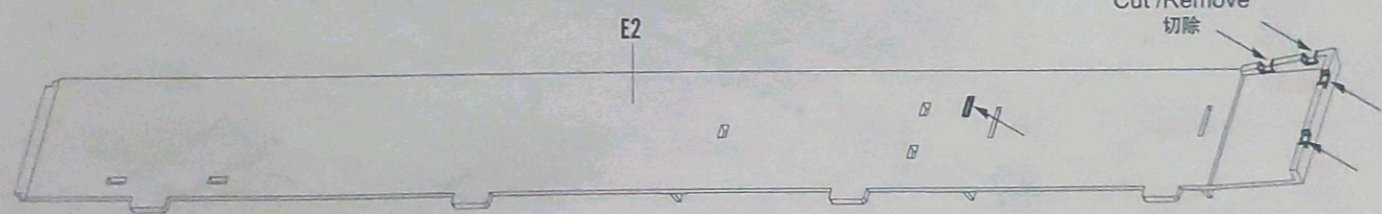


制作2组
Make two



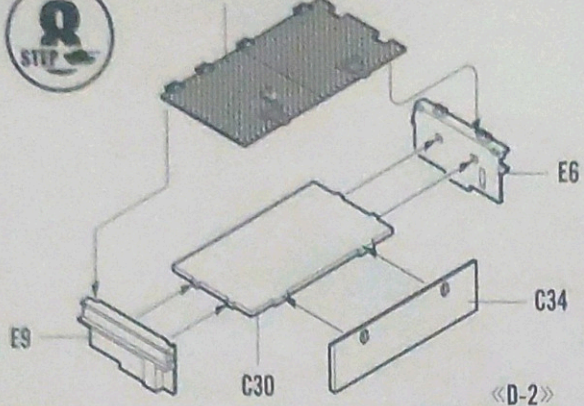
《D-D》

Cut / Remove
切除





E10



<<D-2>>

G24

J20

PE-B1

E2

G7

<<D-2>>

C15

C18

C19

C20

G26

Make holes
钻孔

G30

Φ1.2

G30



Bend
弯曲
PE-B10

J26



Bend
弯曲
PE-B7

H10

D25

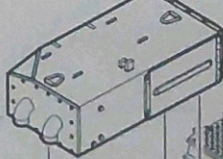
G12

G11

G6

J16

J17



制作2组
Make two

D10

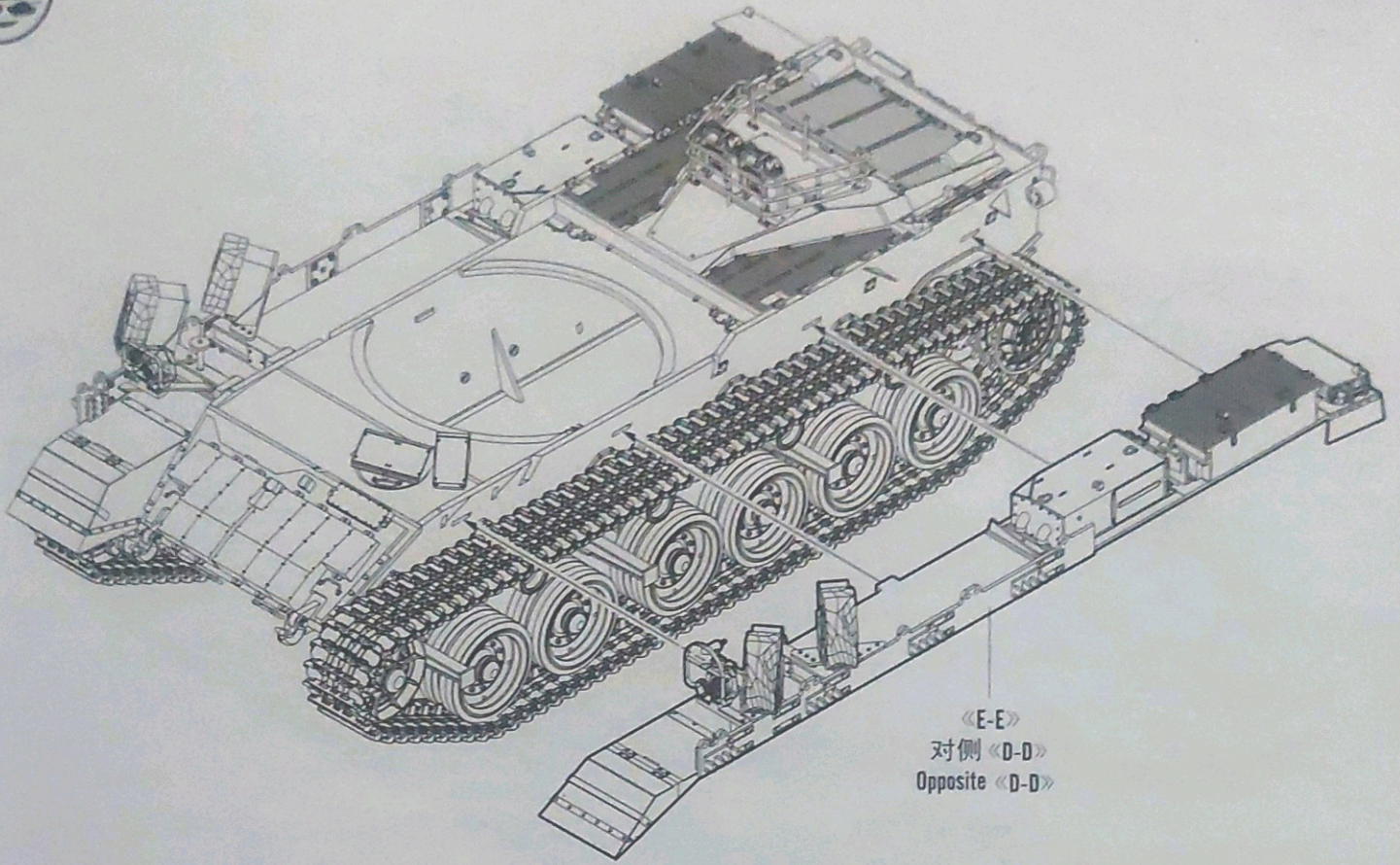
D37

D24

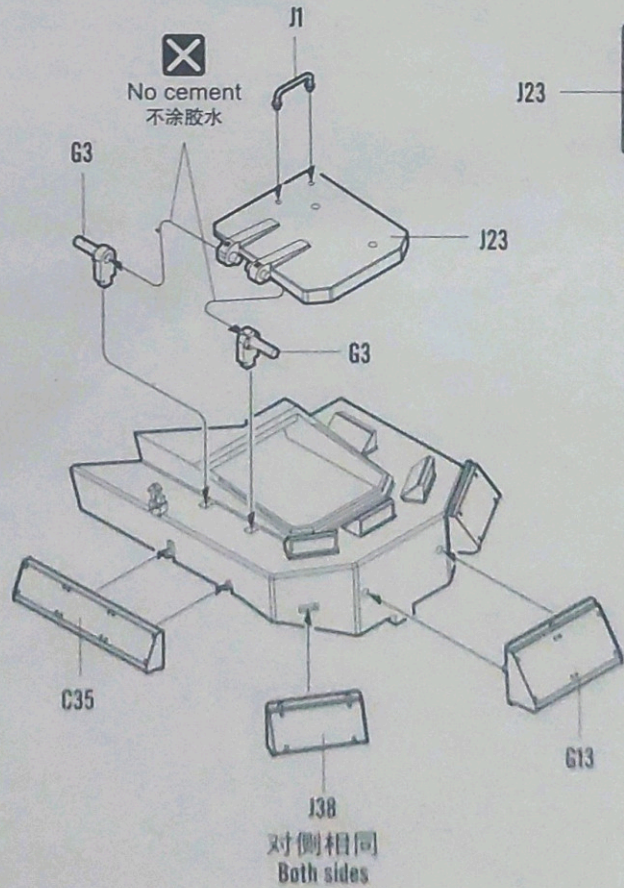
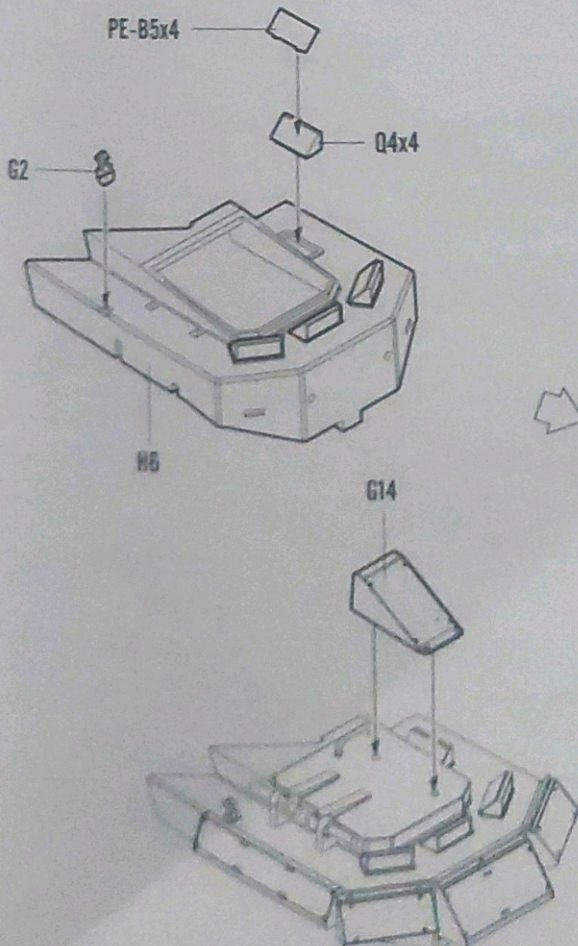
D19

C16

<<E-E>>



«E-E»
对侧 «D-D»
Opposite «D-D»



No cement
不涂胶水

Make holes
钻孔

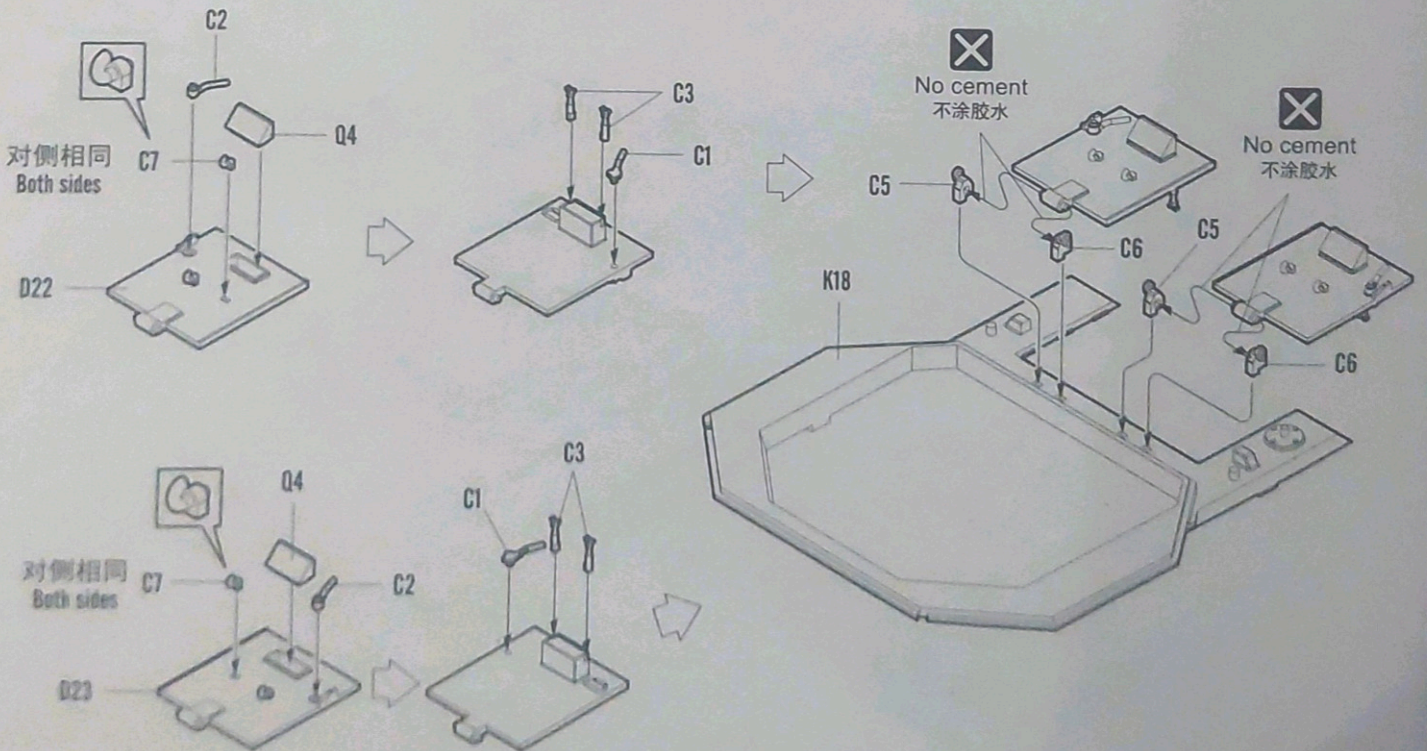
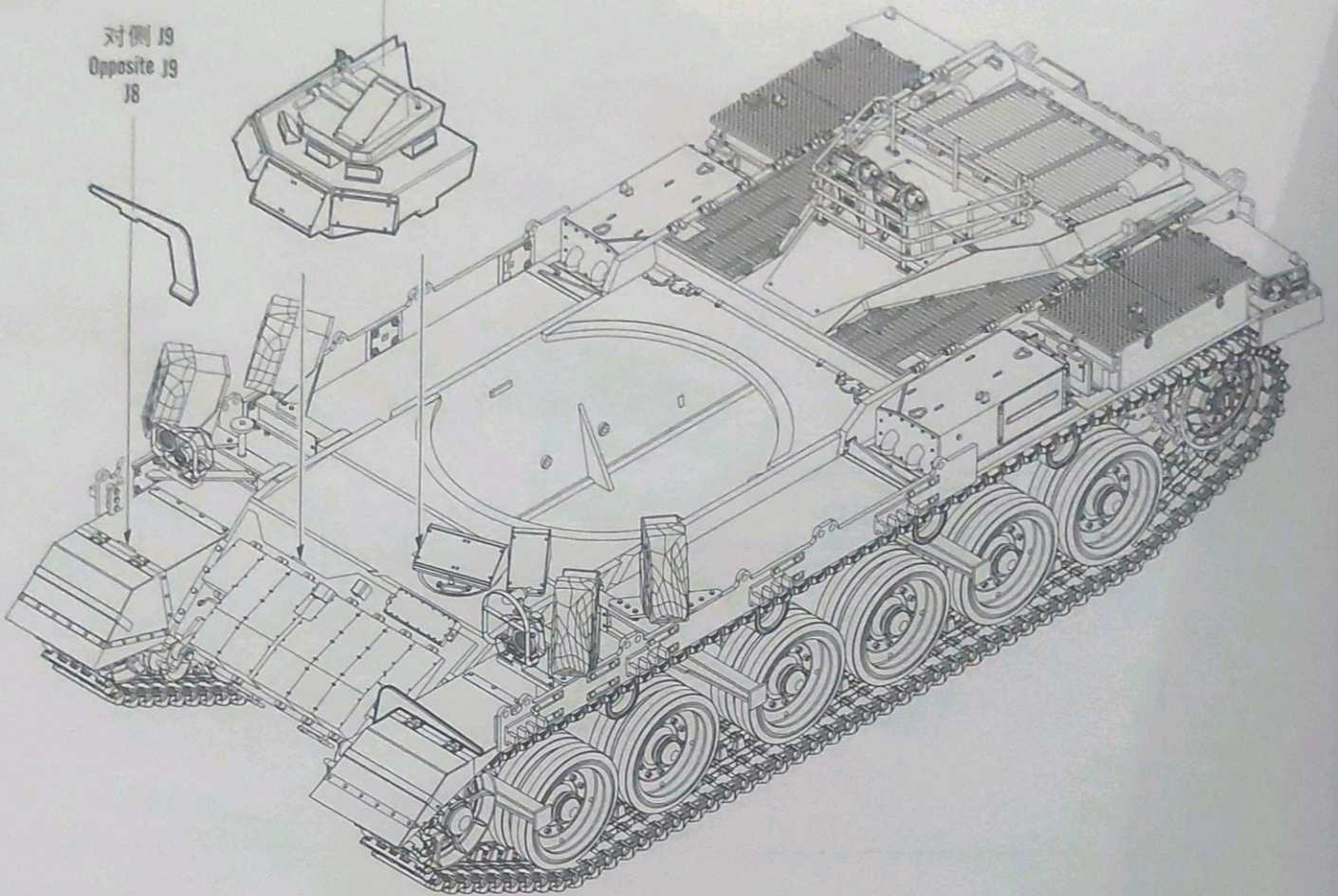
I38
对侧相同
Both sides

«F-F»

10
STEP

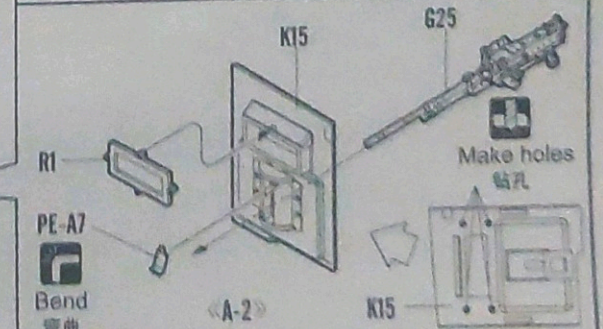
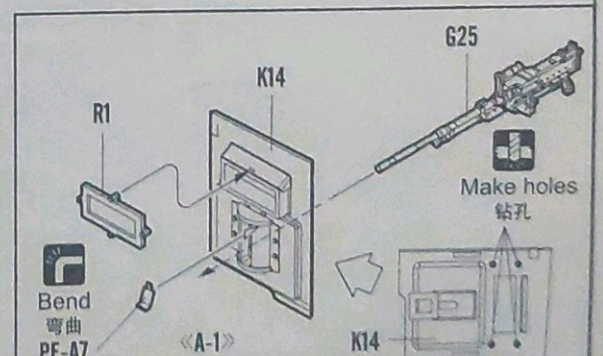
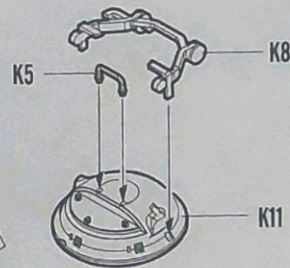
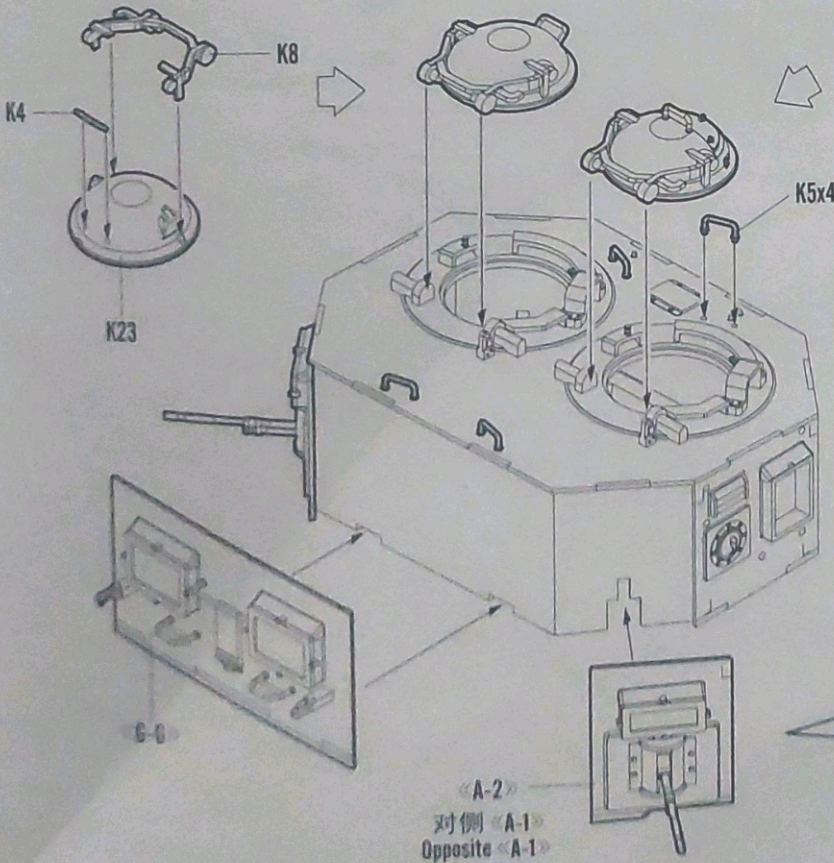
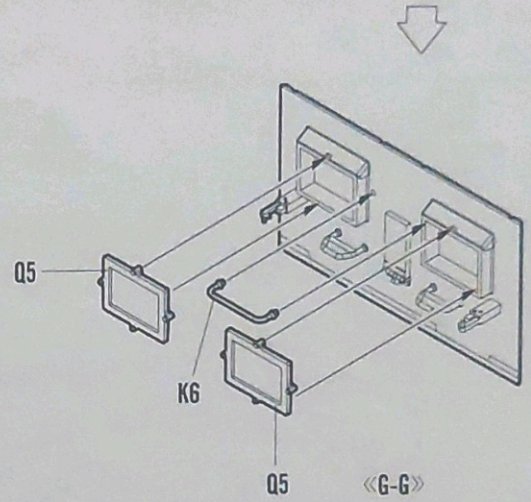
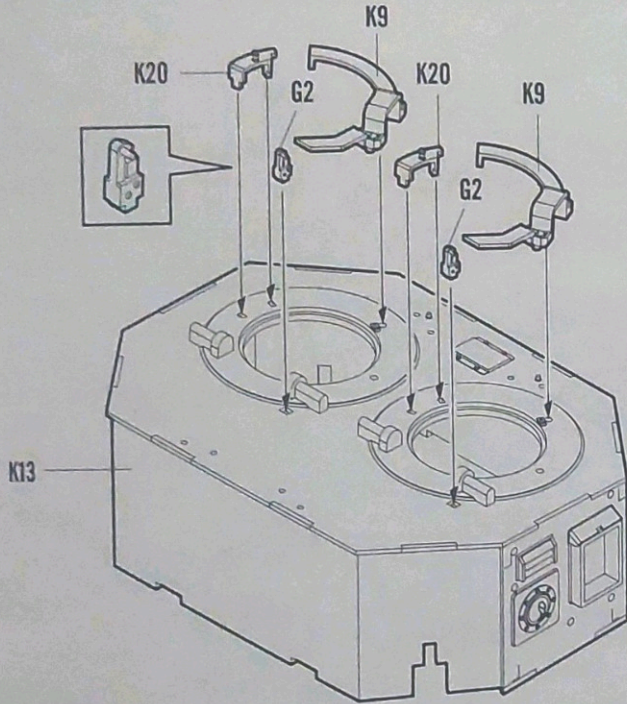
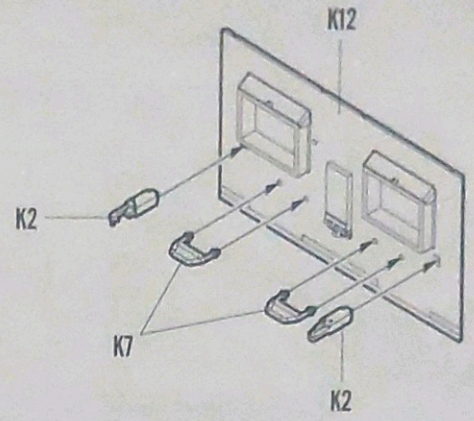
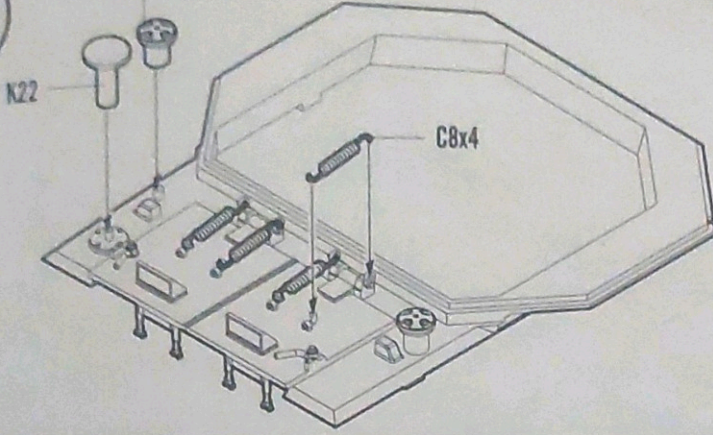
F-F

对侧 J9
Opposite J9
J8

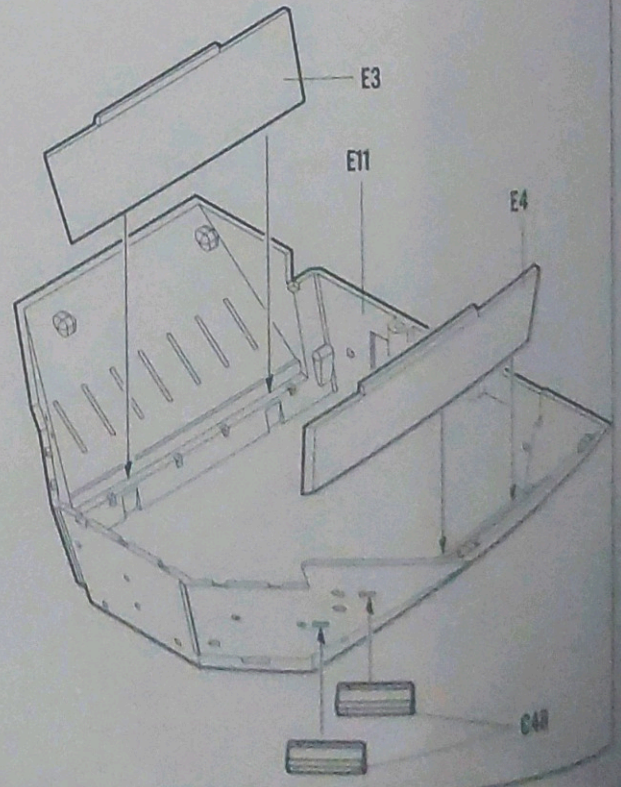
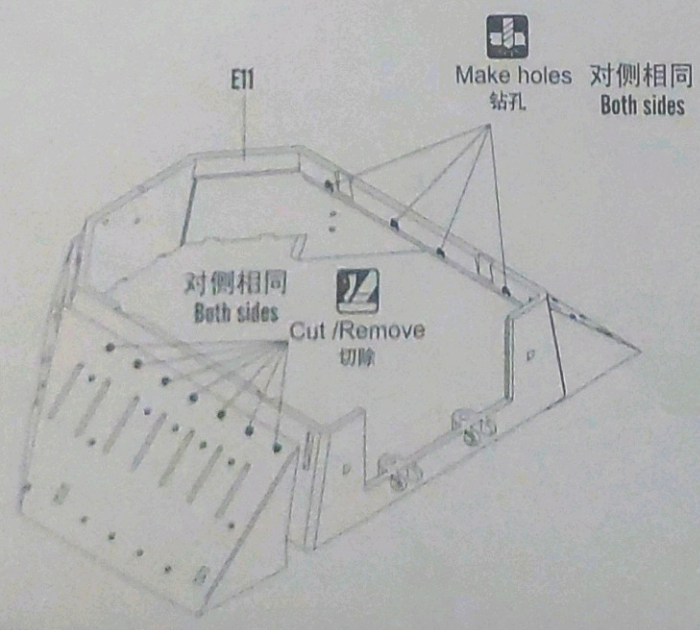
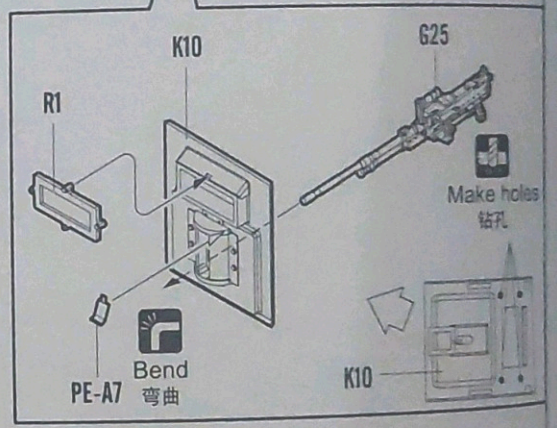
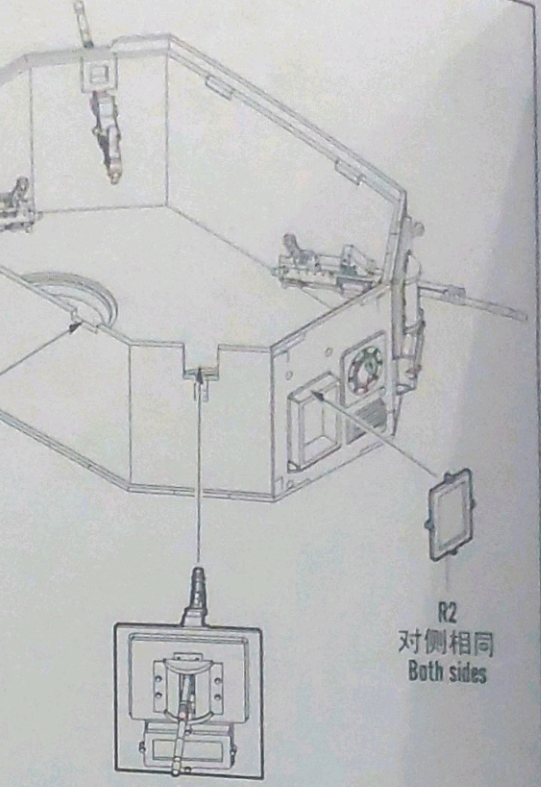
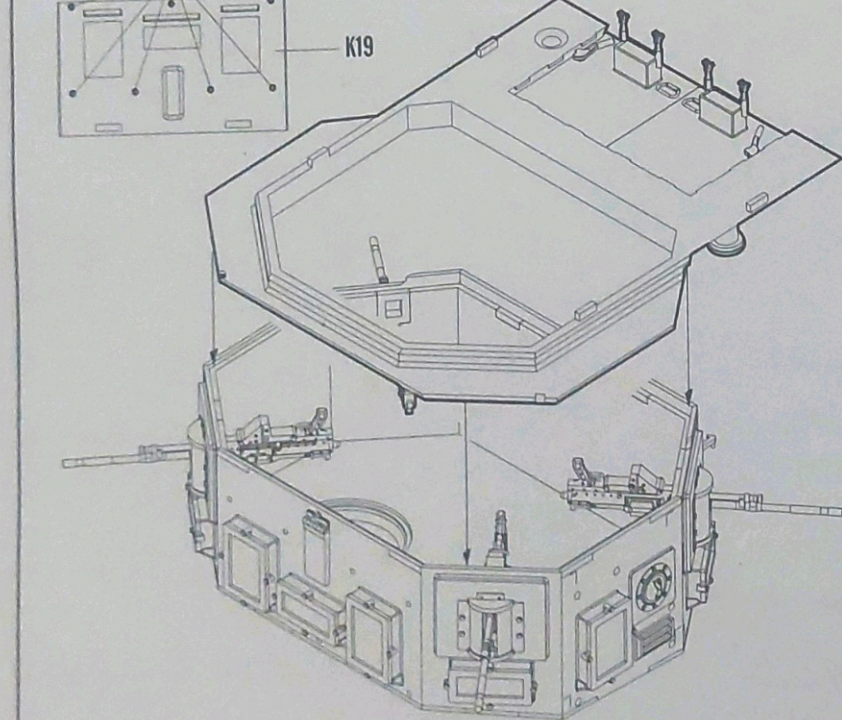
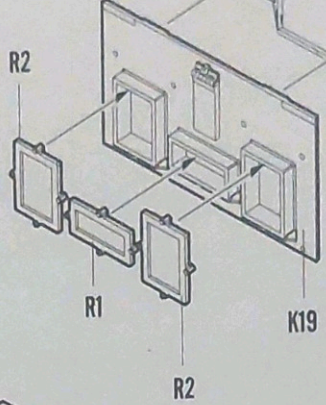
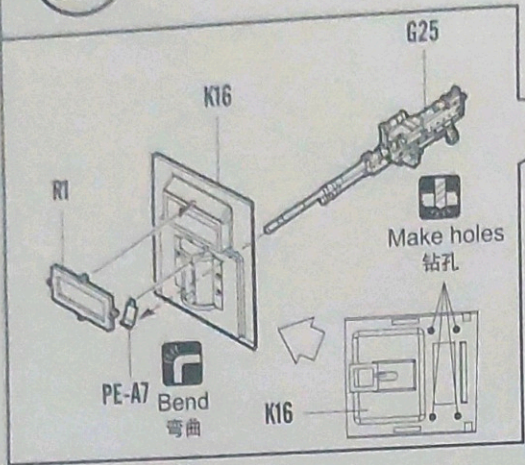


11
STEP

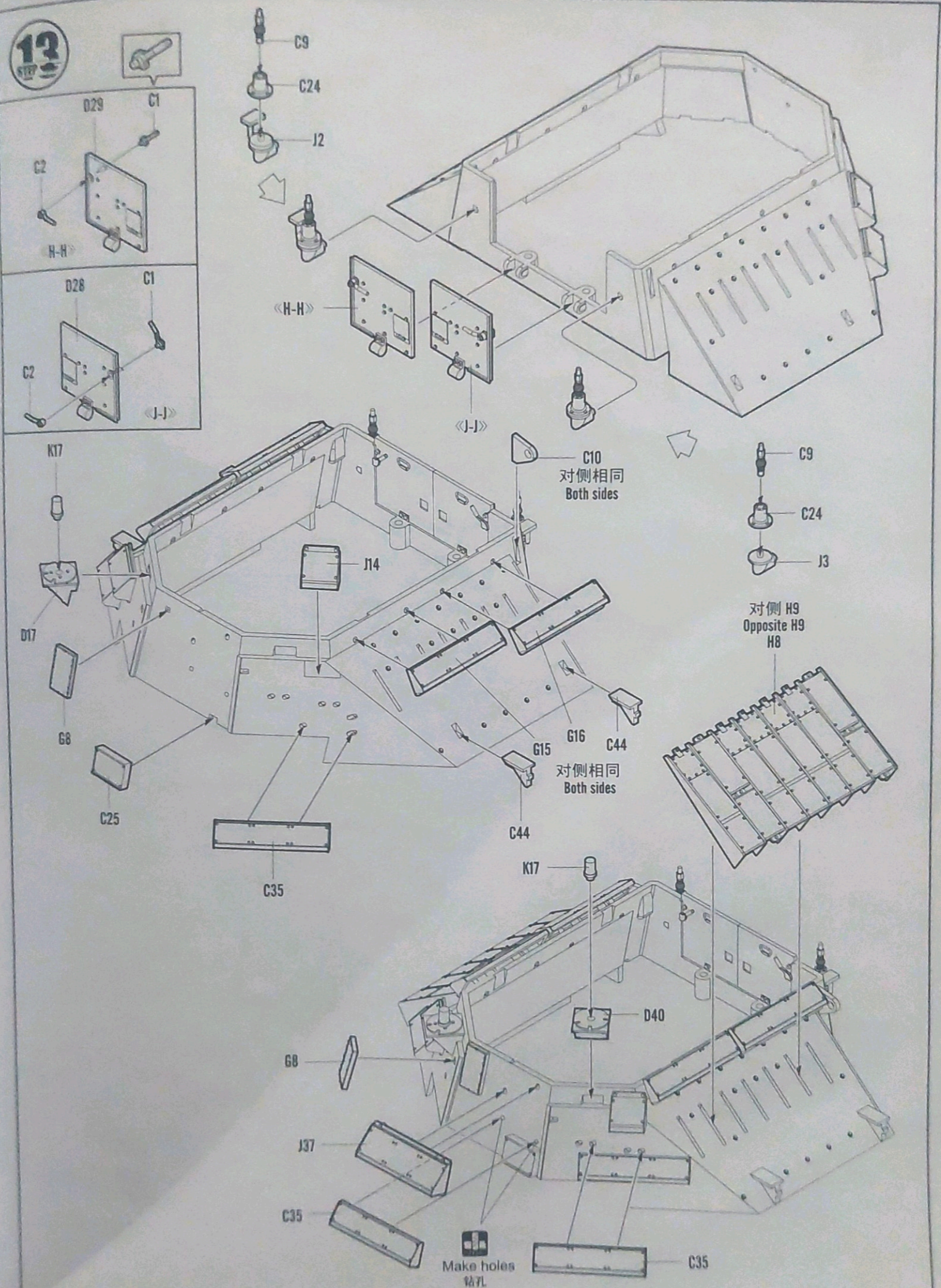
C28 对侧相同
Both sides



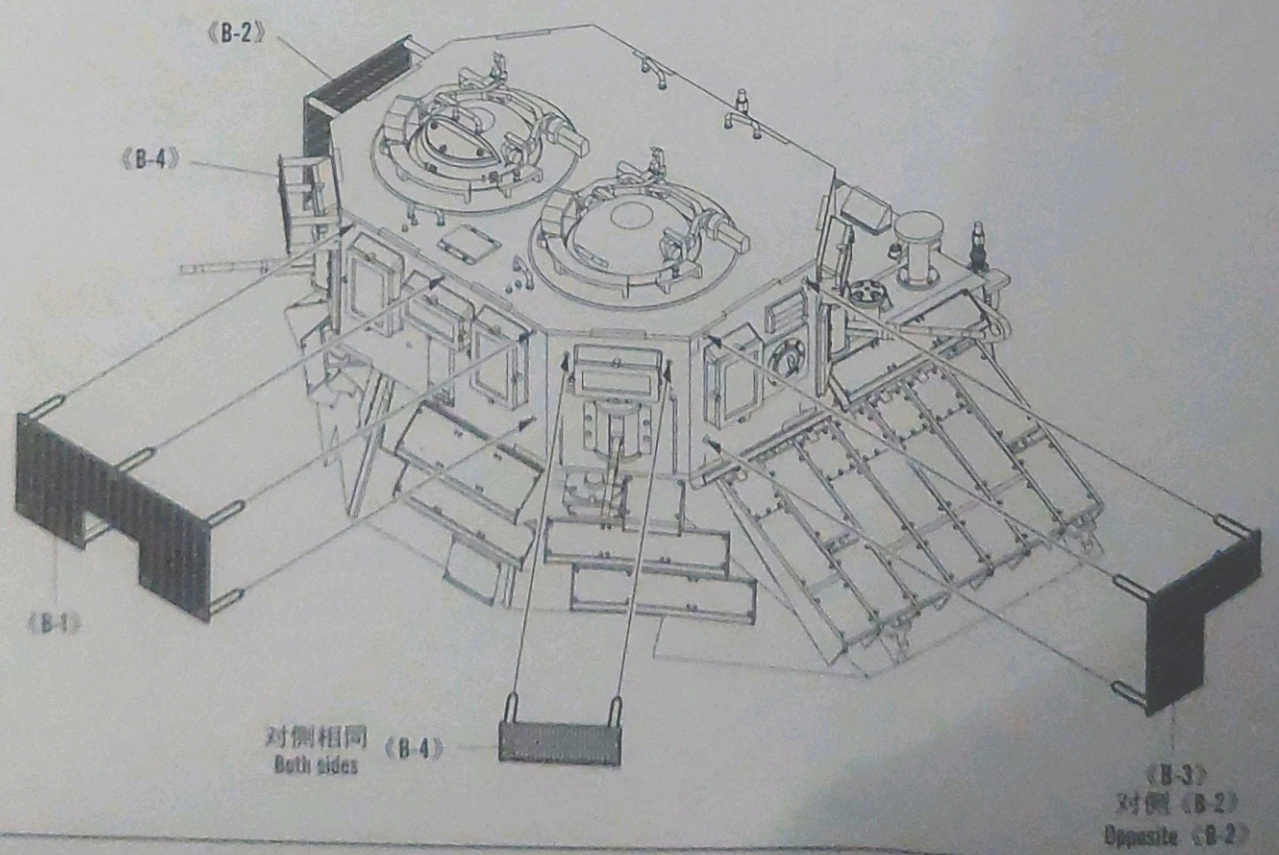
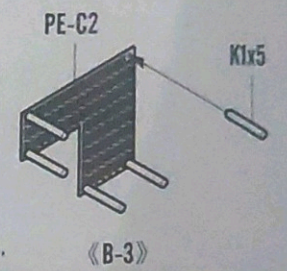
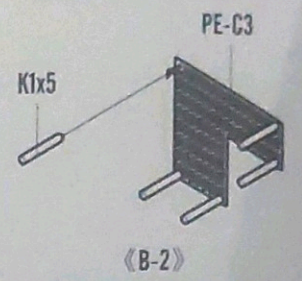
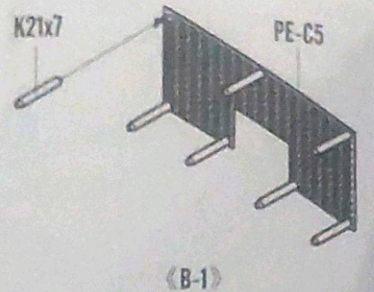
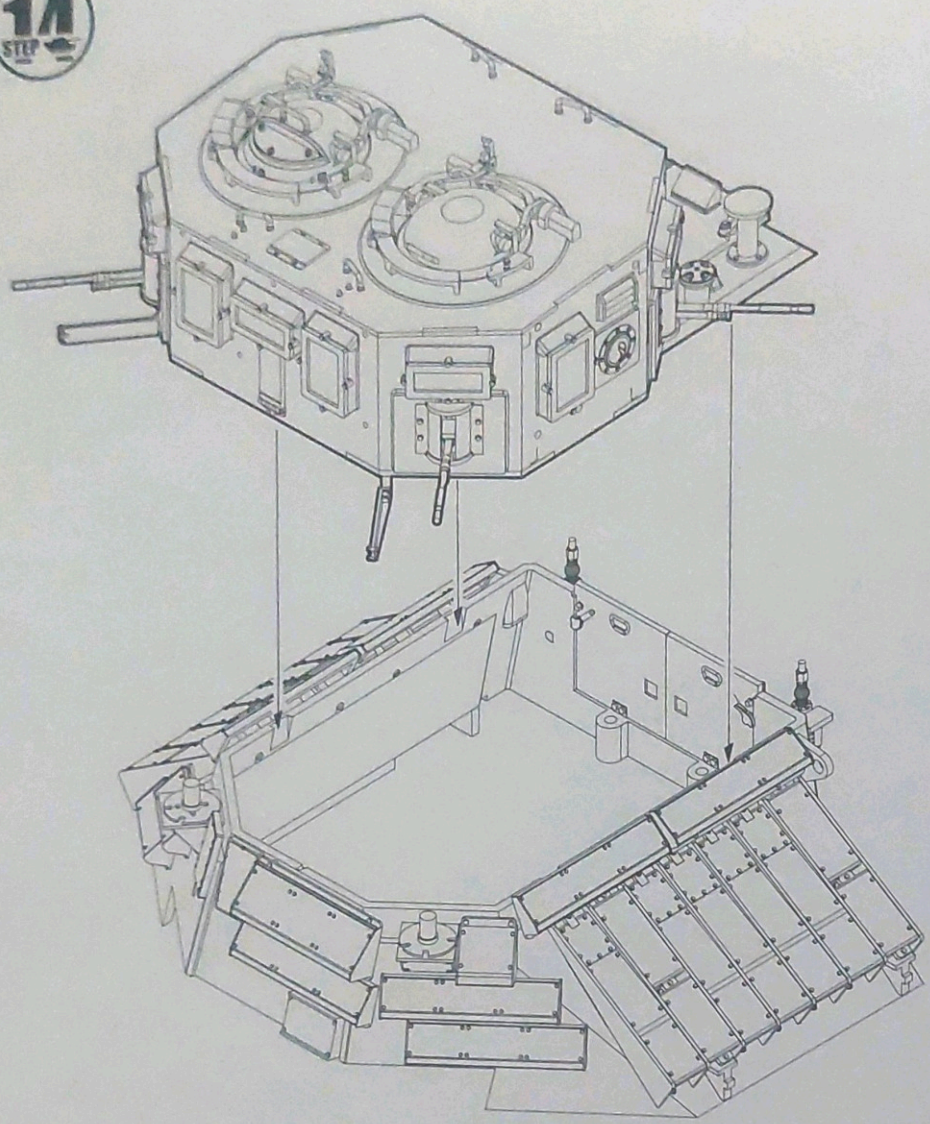
12
STEP

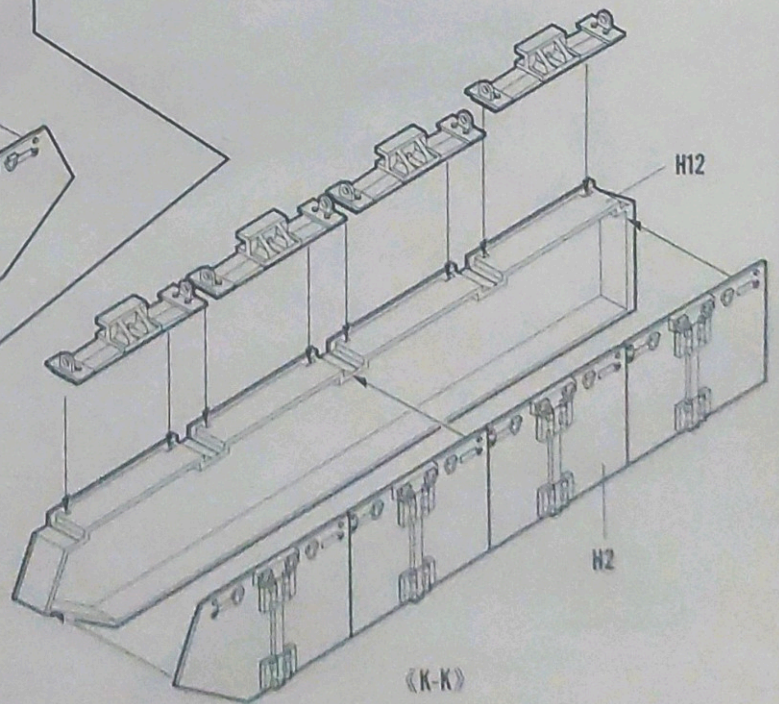
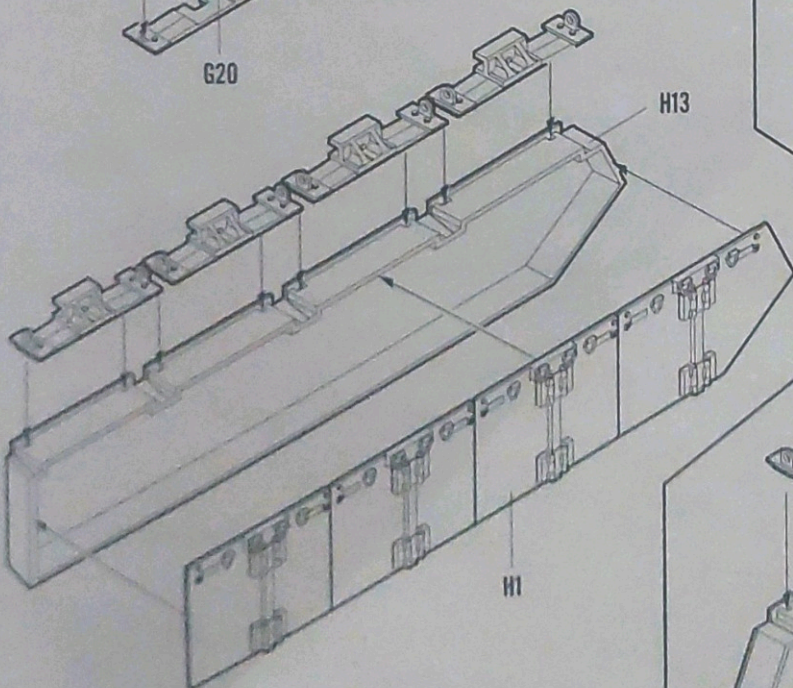
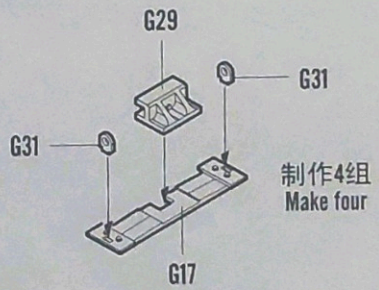
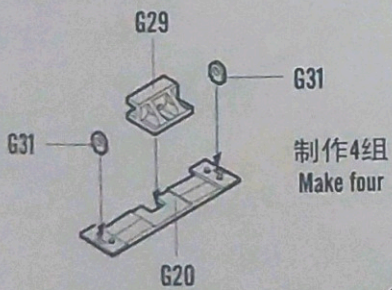
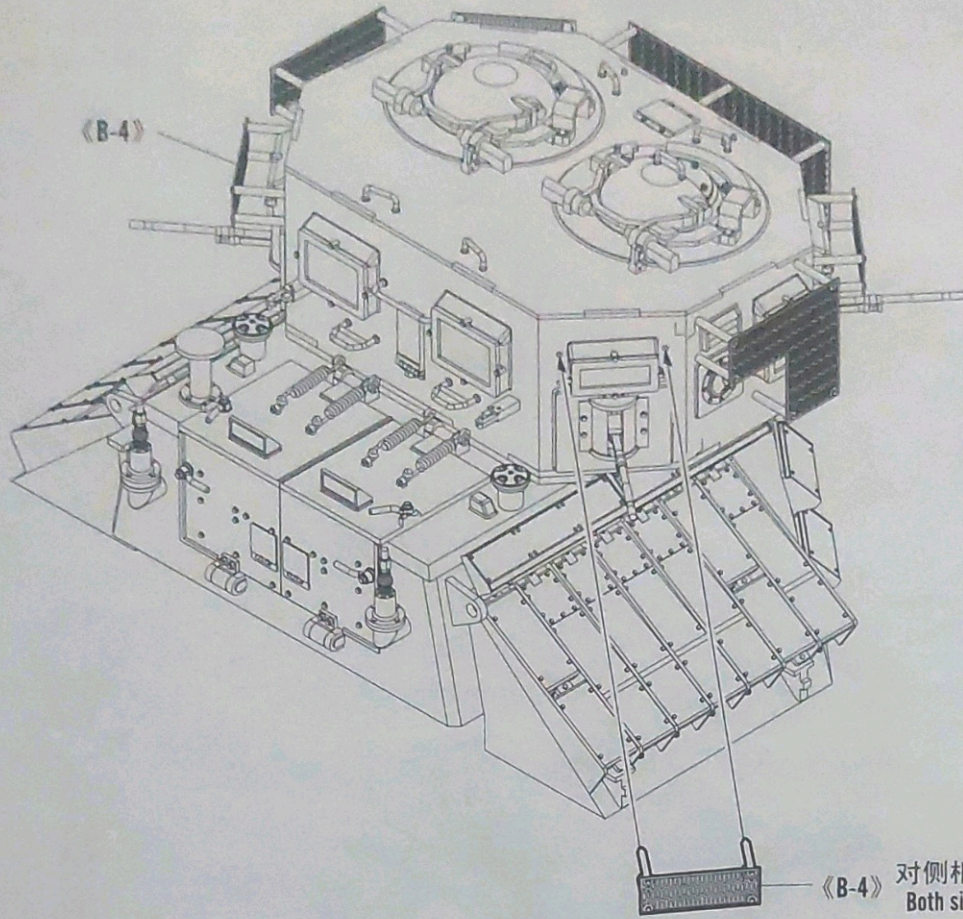


13

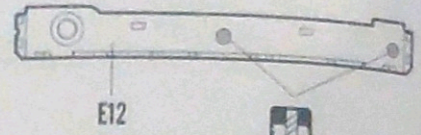
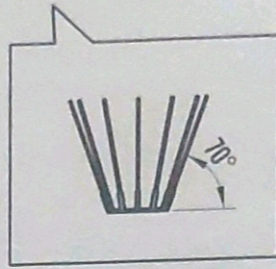
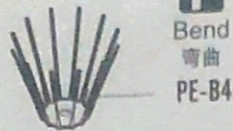
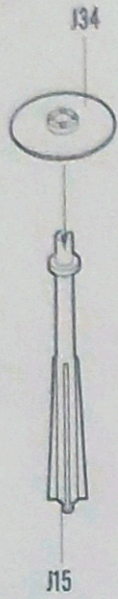


1A
STEP

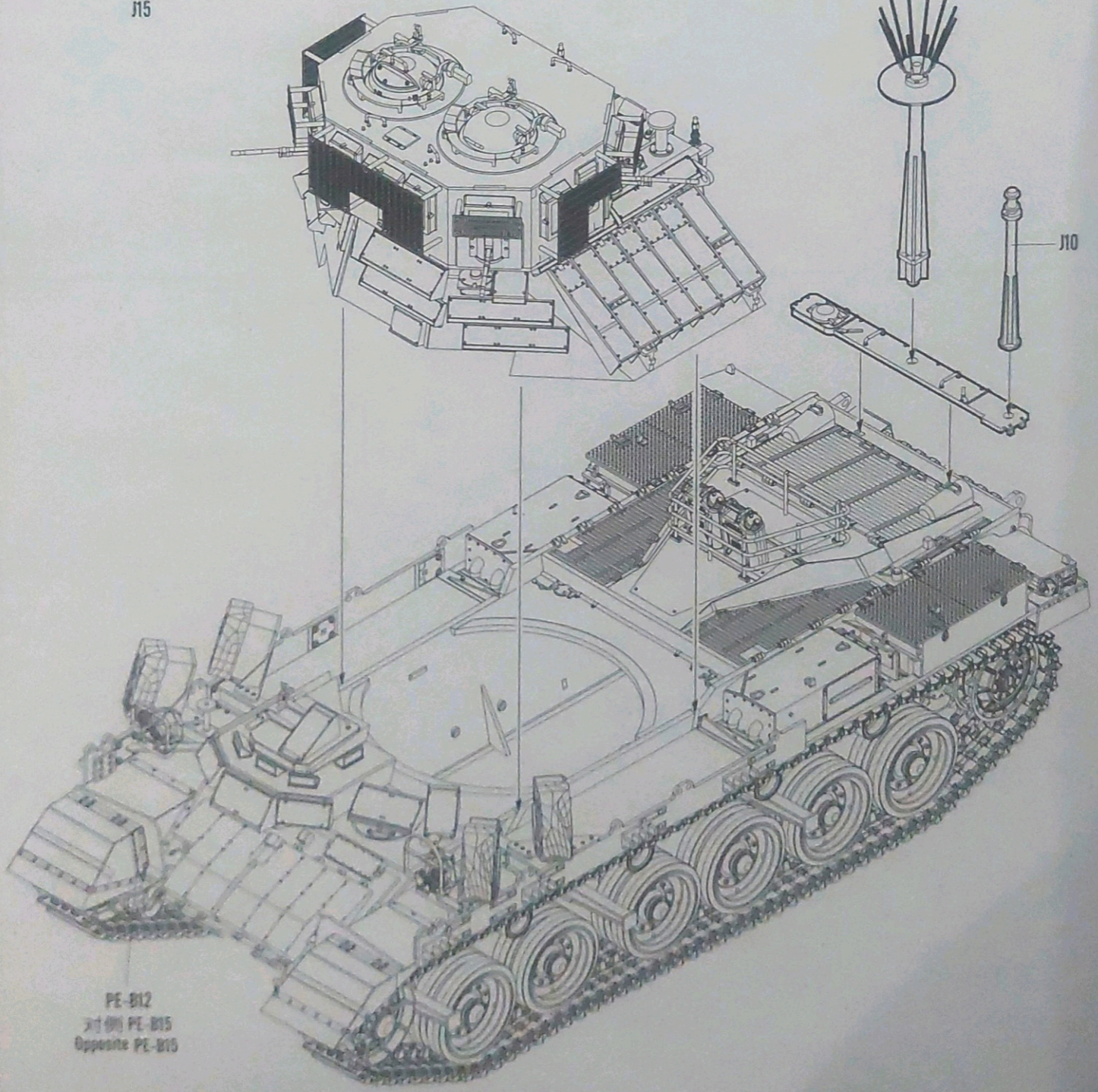
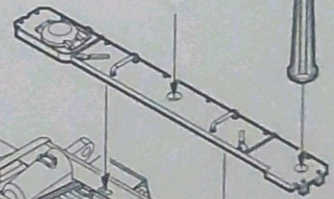
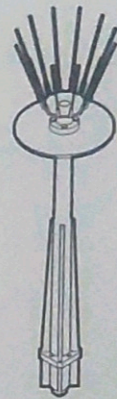
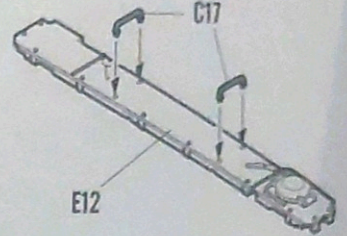




16
STEP

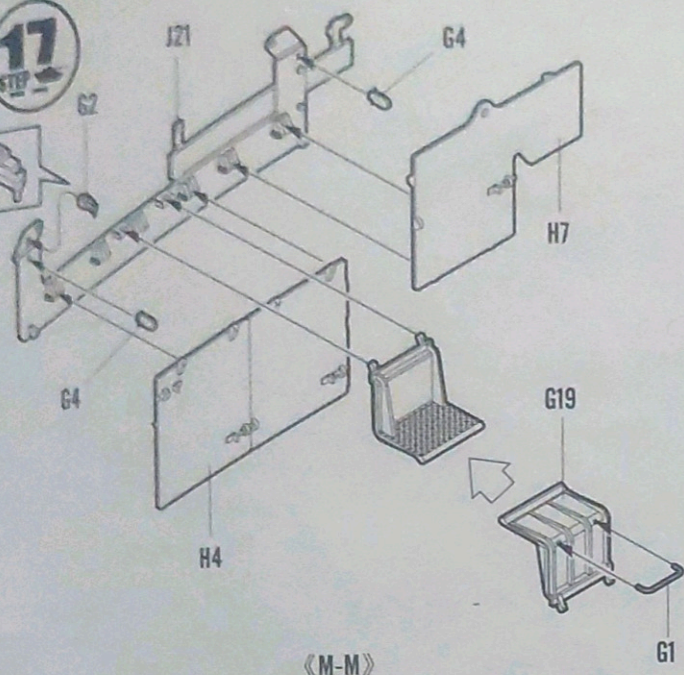


Make holes
钻孔

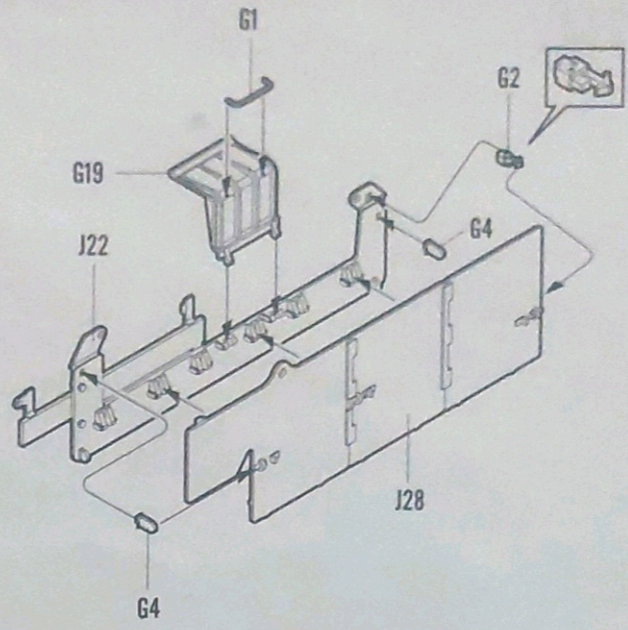


PE-B12
対向 PE-B15
Opposite PE-B15

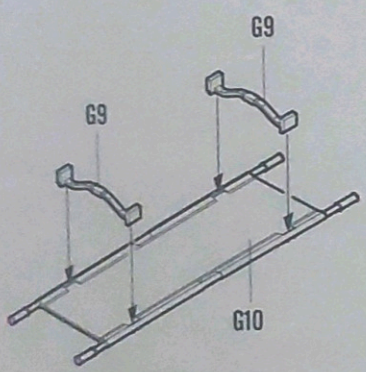
17
STEP



《M-M》

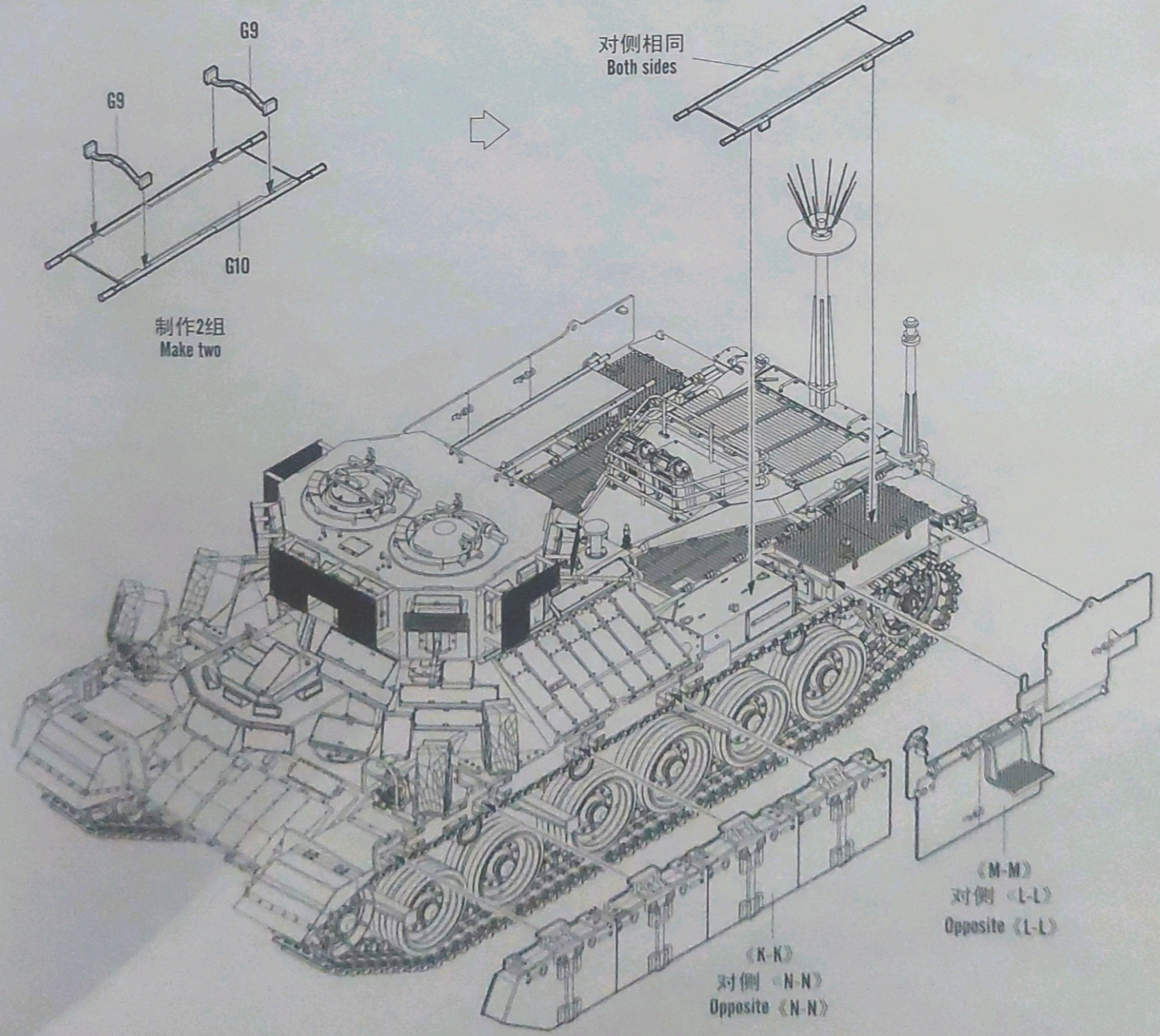


《L-L》



制作2组
Make two

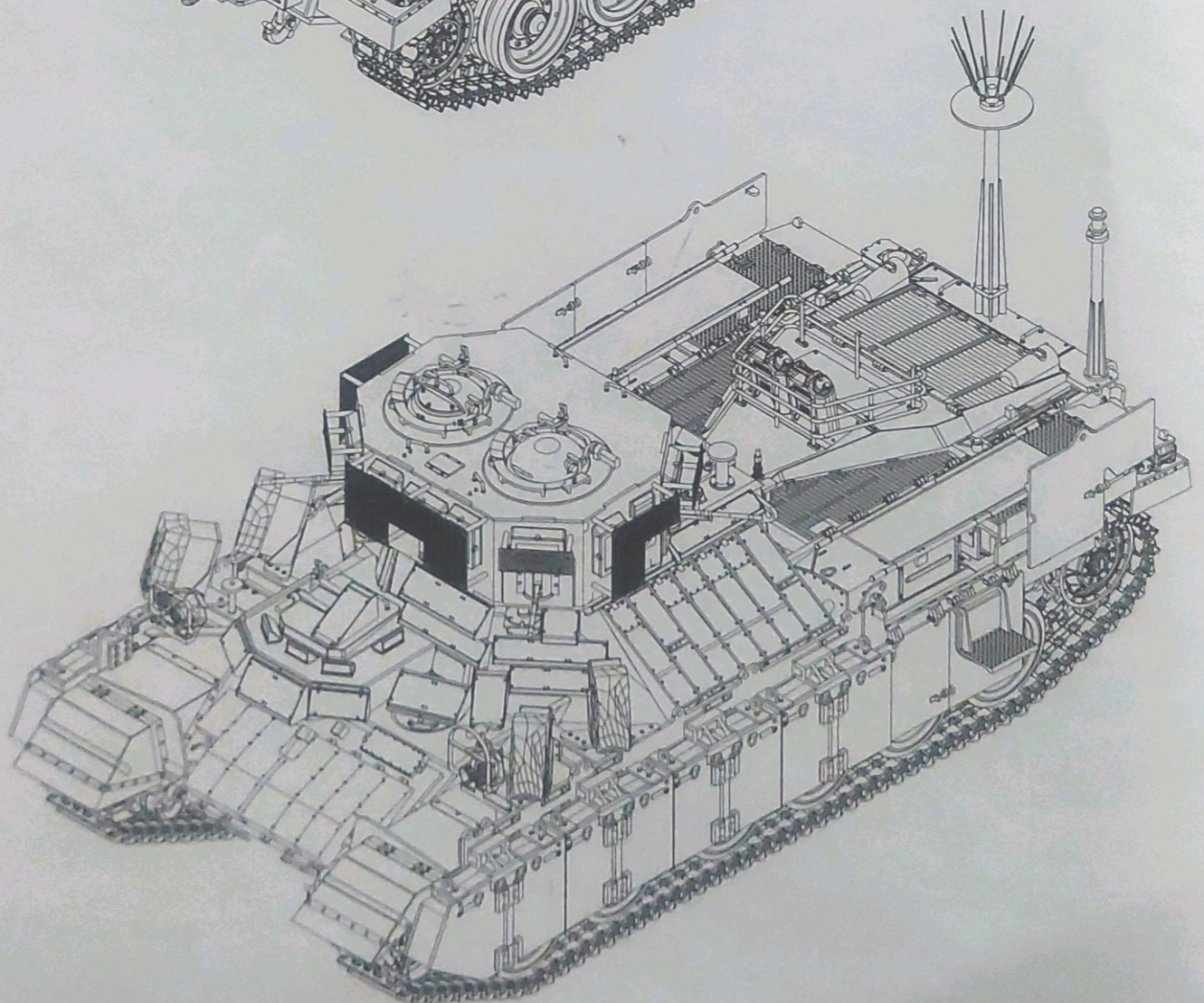
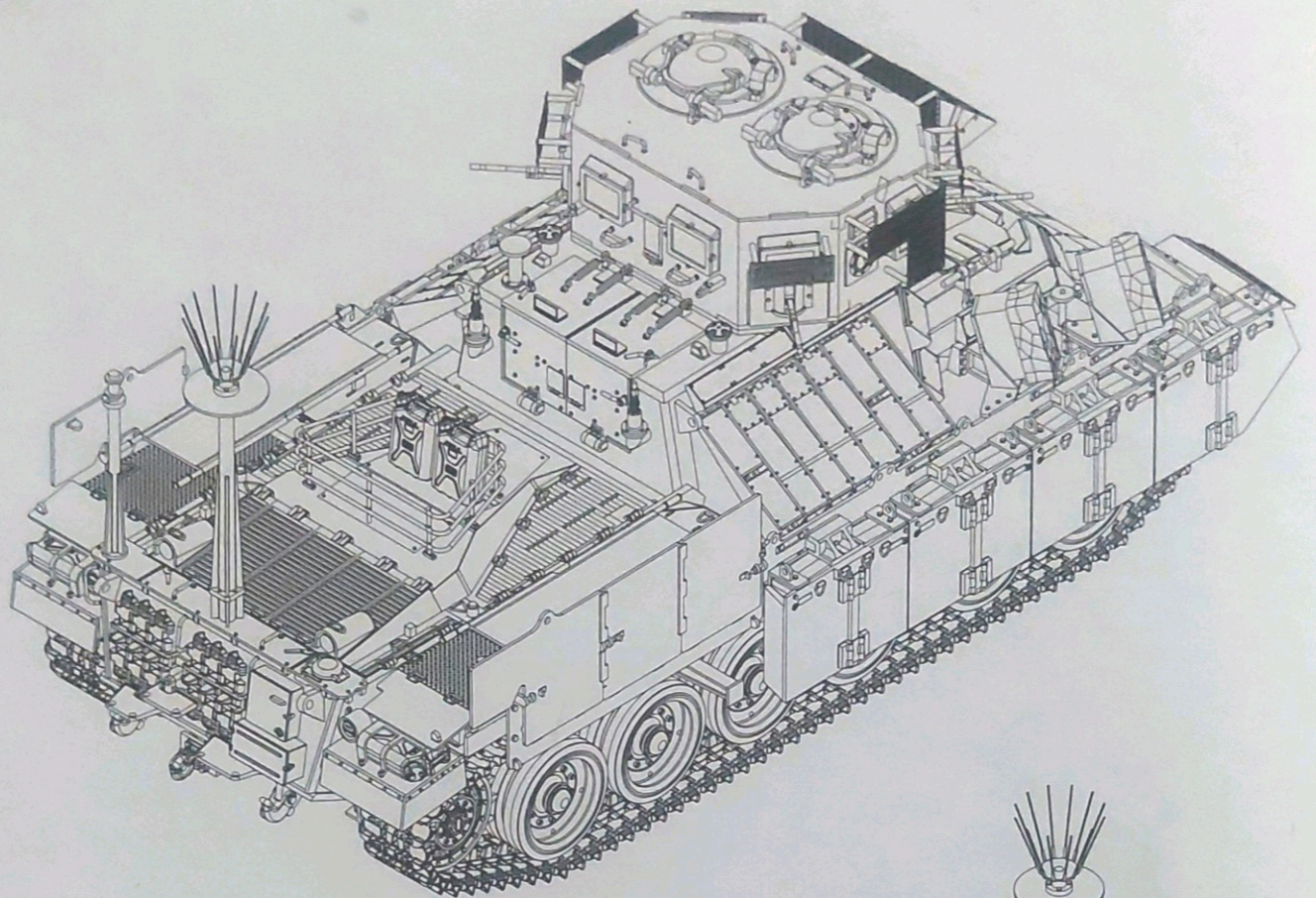
对侧相同
Both sides

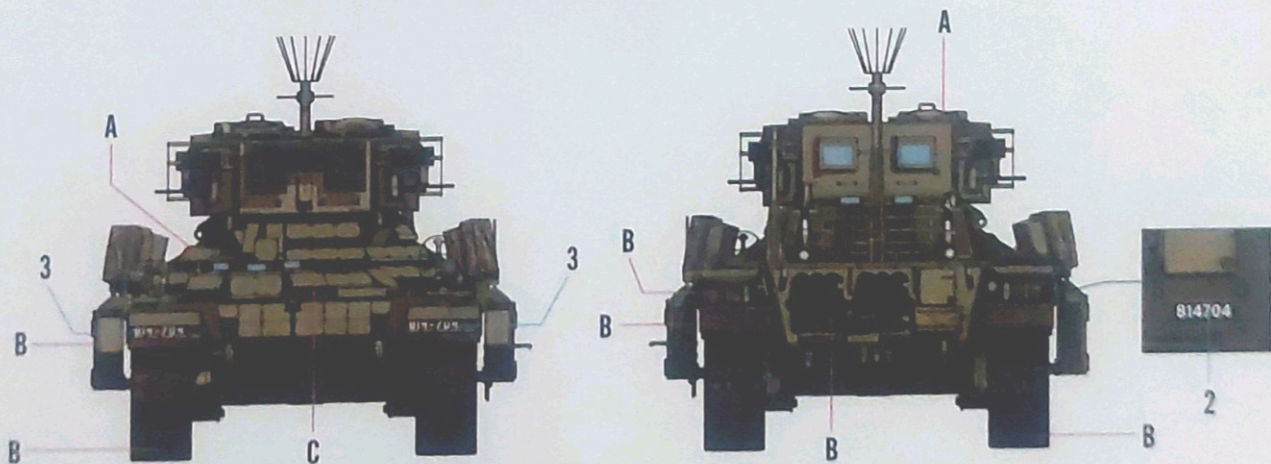
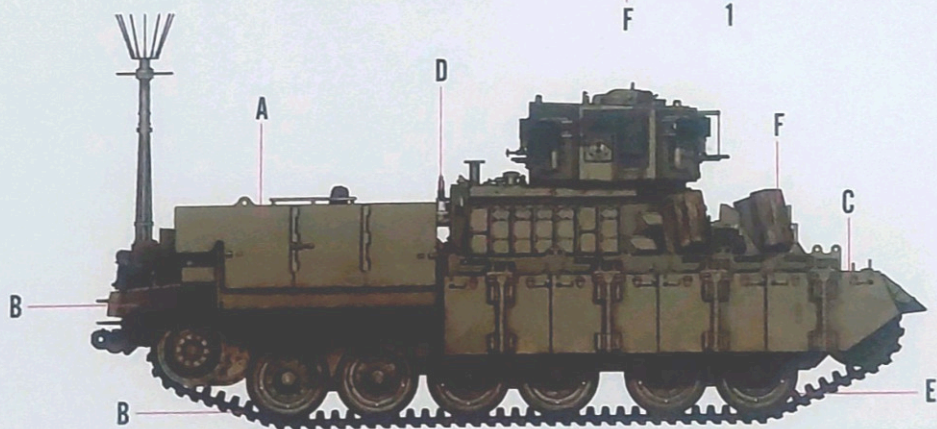
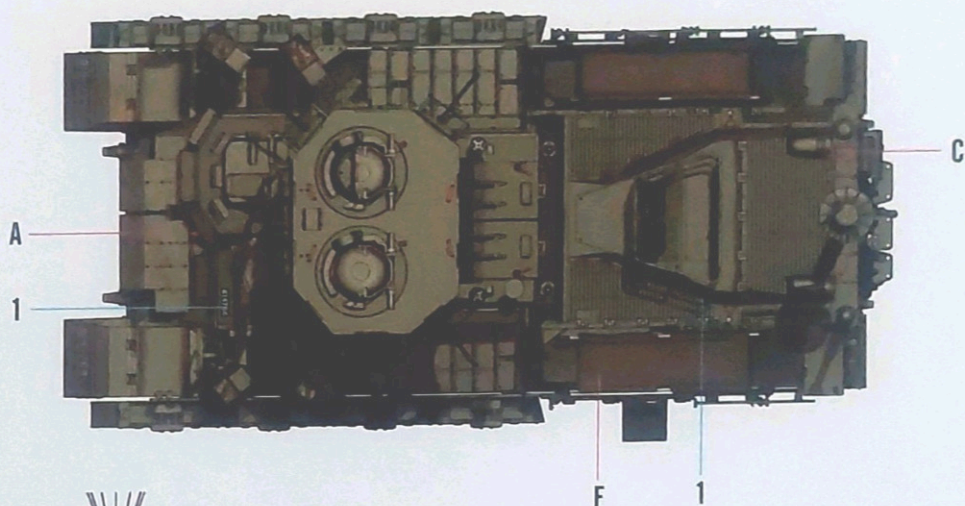
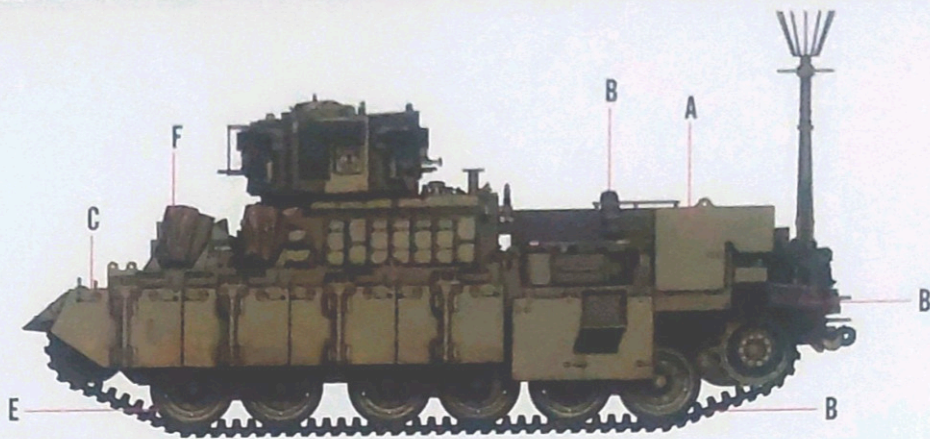


《M-M》
对侧 《L-L》
Opposite 《L-L》

《K-K》
对侧 《N-N》
Opposite 《N-N》

19
STEP





Color	Mr.Hobby	Vallejo	Model Master	Tamiya	Humbrol	Color	Mr.Hobby	Vallejo	Model Master	Tamiya	Humbrol
A 西奈灰 Sinai Gray	H[70] 80 + H[74] 90	--	--	--	--	D 白色 White	H[1] 1	842	1745	XF2	22
B 黑铁色 Steel	H[88] 20	884	1402	--	--	E 胎黑色 Tire Black	H[77] 137	--	--	--	--
C 红色 Red	H[3] 1	908	1503	X7	19	F 船帆色 Sail Color	H[85] 48	--	--	--	--