



Model Monkey

USS *St. Paul* CA-73, 1968

Superstructure Assembly Guide



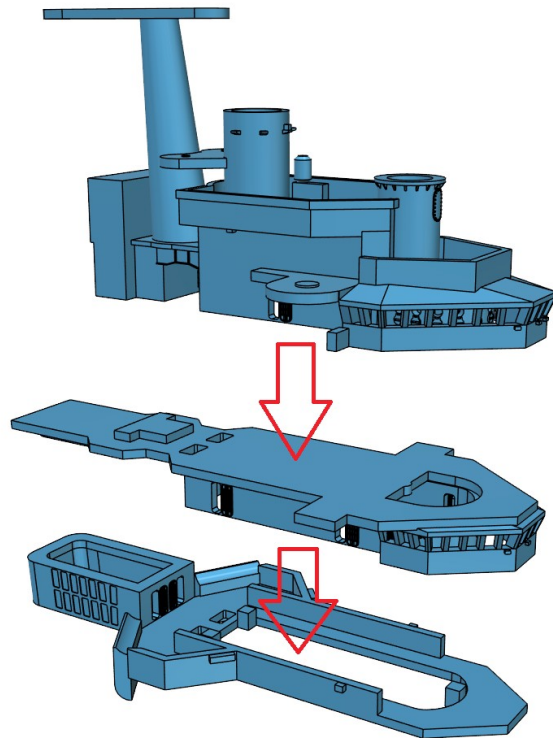
USS *St. Paul* CA-73 is the most decorated Baltimore class heavy cruiser, having served in World War Two, the Korean War and the Vietnam War. She was launched on 16 September 1944 and commissioned on 17 February 1945. In late 1963 through summer 1964, as one of the only World War II cruisers still in commission and still in her wartime all-gun configuration, Saint Paul was extensively used in the filming of the motion picture *In Harm's Way*, starring John Wayne. After her movie filming stint was over, she assumed duties as 1st Fleet flagship and did not return to the Western Pacific until 1966. From that year, she made five successful deployments with the 7th Fleet in operations off North and South Vietnam, providing gunfire support to allied troops. Reminiscent of her Korean operations, Saint Paul was hit on 1 September 1967 by a shell which struck her starboard bow, near the water line. None of her crew was injured; and her engineers repaired the slight damage, enabling her to continue her mission. For her service, *Saint Paul* earned the Navy Unit Commendation and two Meritorious Unit Commendations. She was struck from the Naval Vessel Register on 31 July 1978, and was sold for scrapping in January 1980.

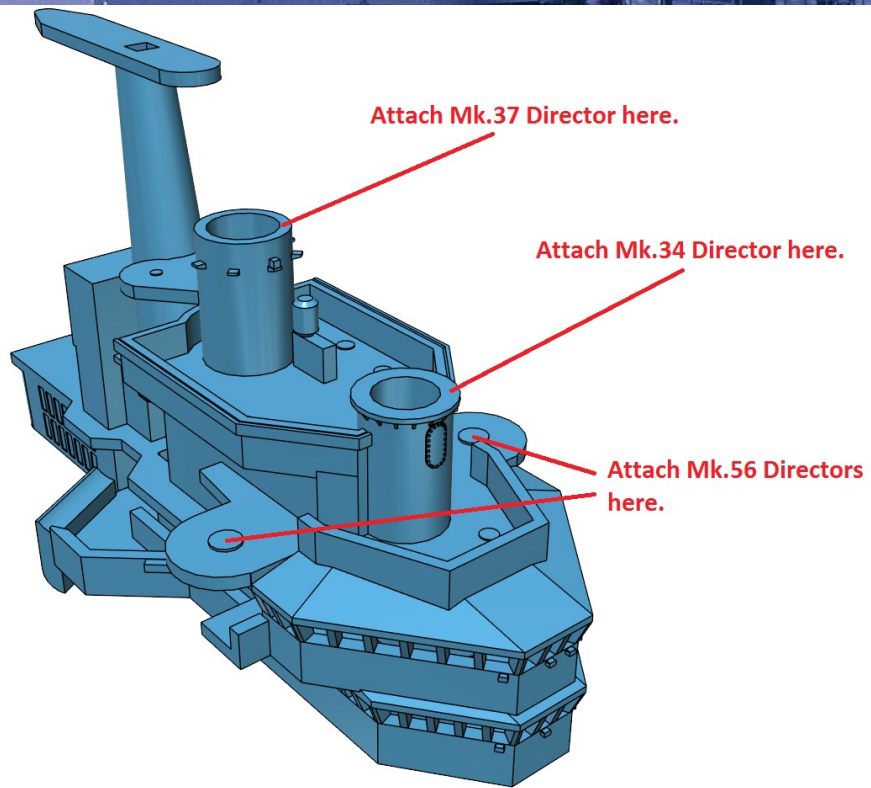
- adapted from Wikipedia.

Model Monkey offers several important 3D-printed parts to help convert your plastic or resin Baltimore class heavy cruiser model kit into a model of USS *St. Paul* CA-73 as she appeared circa 1968. Parts available include the forward superstructure, 8"/50 cal. gun turrets, fire control directors, and midships 3"/50 cal. gun tubs. The set is not a complete conversion kit. For example, we do not offer the aft superstructure or 3"/50 cal. gun mounts.

The set is intended for very advanced modelers with conversion experience and scratch-building skills.







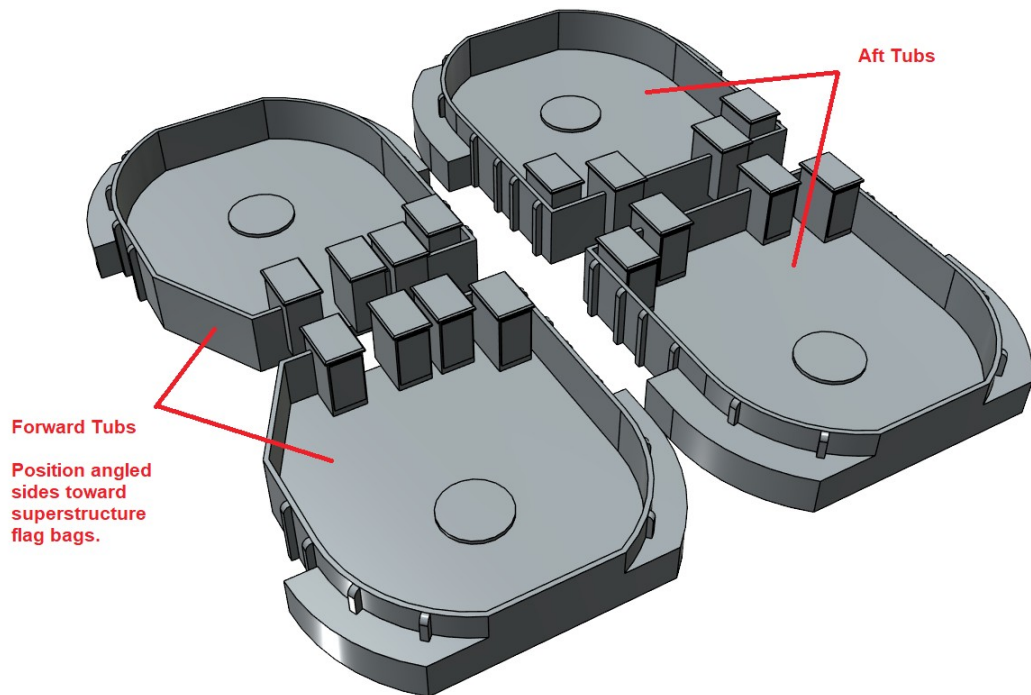




Photo # NH 85098-KN USS Saint Paul (CA-73) underway on 26 March 1968

