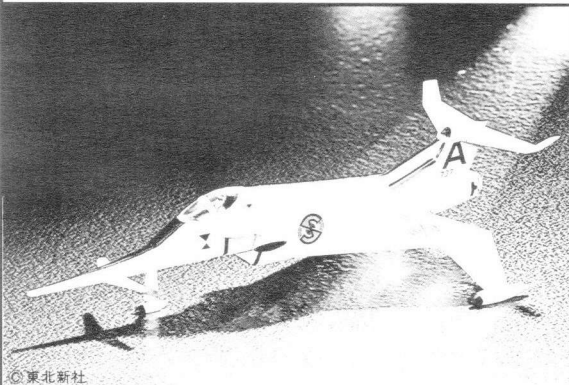




CAPTAIN SCARLET

Angel Interceptor



©東北新社

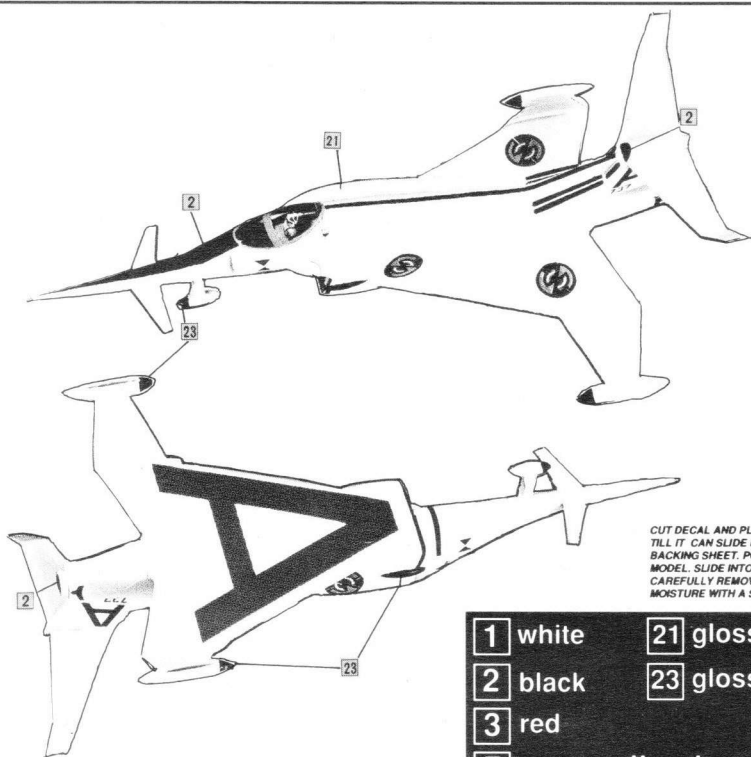
Amerang
Commerce Way
Lancing
West Sussex
BN15 8TE

TM & © ITC ENTERTAINMENT GROUP LTD.

LICENCED BY CPL.

ALL RIGHTS RESERVED

**You will need the following to complete your kit:
a modellers craft knife & polystyrene cement.
Remove burrs whilst assembling model.
Warning functional sharp points.**



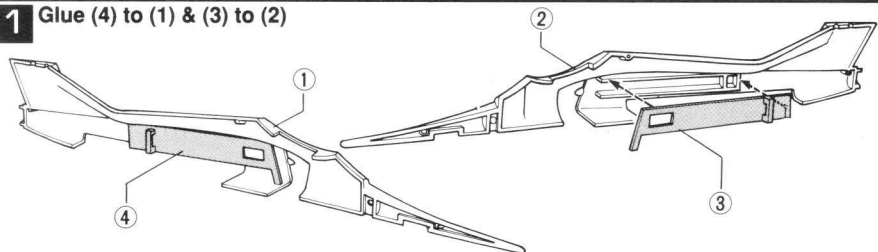
CUT DECAL AND PLACE IN WATER
TILL IT CAN SLIDE EASILY FROM
BACKING SHEET. POSITION ON
MODEL. SLIDE INTO PLACE AND
CAREFULLY REMOVE EXCESS
MOISTURE WITH A SOFT CLOTH.

- | | |
|----------------|---------------------------------|
| 1 white | 21 gloss white |
| 2 black | 23 gloss red |
| 3 red | |
| 7 brown | all colours are
Gunze Paints |

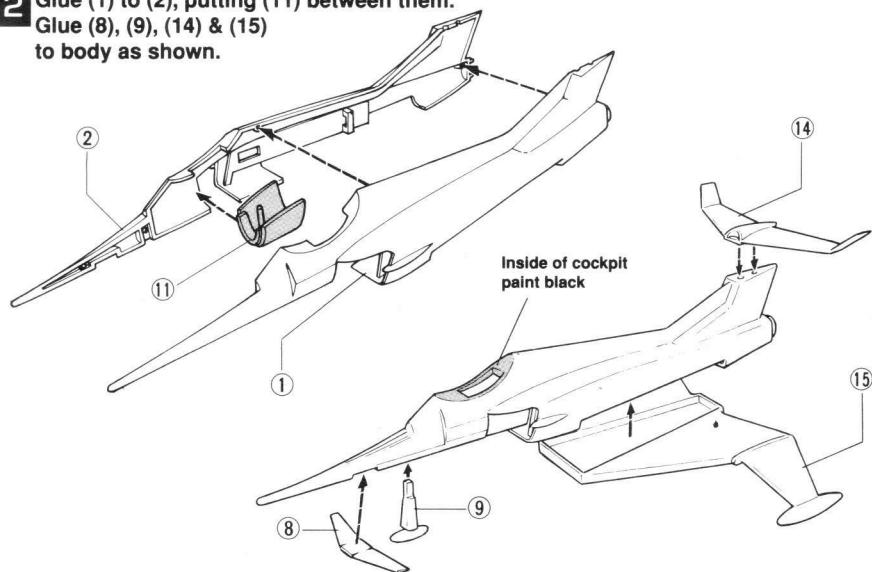
Angel Interceptor Combat Fighter

Please read all instructions carefully before beginning your kit. Familiarise yourself with all the parts before using glue.

1 Glue (4) to (1) & (3) to (2)



2 Glue (1) to (2), putting (11) between them. Glue (8), (9), (14) & (15) to body as shown.



3 Glue (10) to (7) and glue into cockpit. Attach clear canopy on top. Carefully align parts (12) & (13) & glue

