

3.7cm

ANTITANK GUN

PAK35/36



TAMIYA

TAMIYA PLASTIC MODEL CO.
3-7, ONDWARA, SHIZUOKA-CITY, JAPAN

1/35 MILITARY MINIATURE SERIES



German 3.7 cm Anti-tank Gun (PAK-35/36, L/45)

World War I brought into action two kinds of new weapons which did not prove their merits during the war but were to play the leading part in the next world war. They were, needless to say, the aircraft called "Flying Cage" and the tank called "Moving Steel Box".

The development of the new weapons was continued also after the war and, from the very nature of things, defensive weapons against them were also developed at the same time. Weapons against the tank appeared before long. They were the large-calibre shell "mine" buried in the ground and the gun with high muzzle velocity.

In the first few years of the 1930s when the tank improved its ability and tank tactics was established accordingly, some people came to nurse a new idea that the tank should be put against the tank but the army authorities of most countries stuck to the conventional idea that the gun should be put against the tank.

It was in 1934 that the German Army ordered Rheinmettal AG to develop a new 3.7 cm anti-tank gun. Rheinmettal ranked beside Krupp as the biggest gun maker of Germany and already manufactured the first 3.7 cm anti-tank rapid firer in 1918.

In 1935, Rheinmettal finished designing the new anti-tank gun. The overall weight was 450 kg. Having two rubber-tyred wheels, torsion-bar suspension system and two rear trail legs, the gun could be easily moved by only a few men. A gun shield of 4 mm thickness was fixed for the protection of the gun crew. The gunner was on the left side of the gun and could traverse it by 60° both ways, elevate by 25° and depress by 8°. The loader was on the right side of the horizontal

sliding breech block and the gun could make continuous fire at a rate of 15 rounds per minute.

The 3.7 cm gun which was 45 calibres long had a muzzle velocity of 762 metres per second (when firing an armour-piercing projectile) and penetrated a 48 mm armour plate standing erect at a distance of 457 metres.

The 3.7 cm anti-tank gun was immediately accepted by the German Army and officially designated Anti-tank Gun Model 35/36 (PAK 35/36). In 1936, the Germans began to deliver the gun to the anti-tank gun company of each division as its standard equipment. It is reported that the excellent design of the then typical anti-tank gun exerted a great influence on the progress of anti-tank guns in the Soviet Union, the United States and Japan.

As a new tungsten-cored projectile (AP40) was produced in 1940, the muzzle velocity increased to 1,030 metres per second and the penetration to 51 millimetres.

In the Operation Barbarossa which started in 1941, the 3.7 cm gun was not able to destroy the strong armour of Russian tanks and got the dishonourable nickname of "Door Knocker". The gun was kept away from the first line until a hollow-charge stick bomb (Stielgranate-42) of the muzzle-loading type was completed at the last stage of World War II.

For years until the middle stage of World War II, the anti-tank gun was mounted on the half-track type armoured personnel carrier Sd.Kfz 251/10 that was long used as platoon leader's vehicle of the tank grenadier company.

by courtesy of Akira Kikuchi

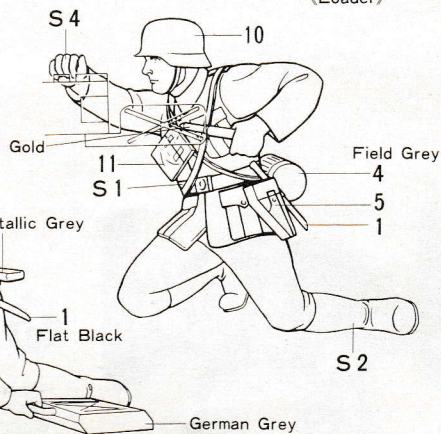
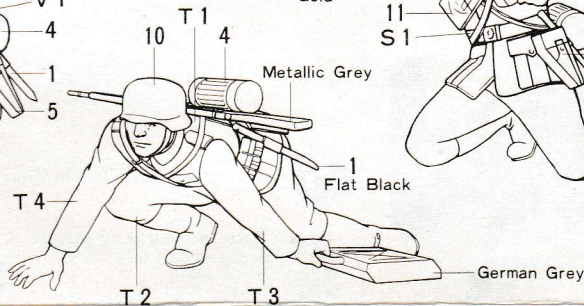
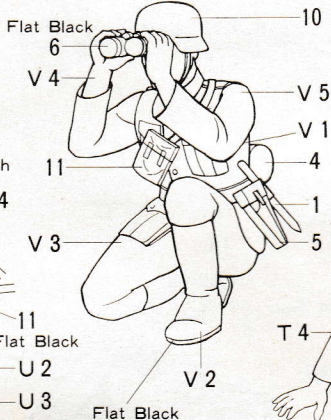
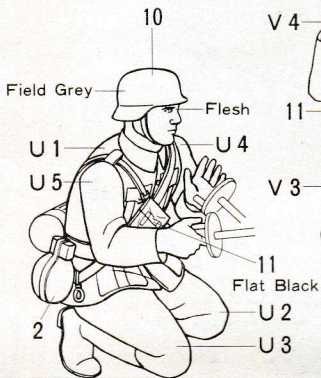
《Gunner》

《Commander》

《Supplier》

《Loader》

Fix Range-Finder Case 9 to the left of the belt.



《Painting of 3.7cm Anti-Tank Gun》

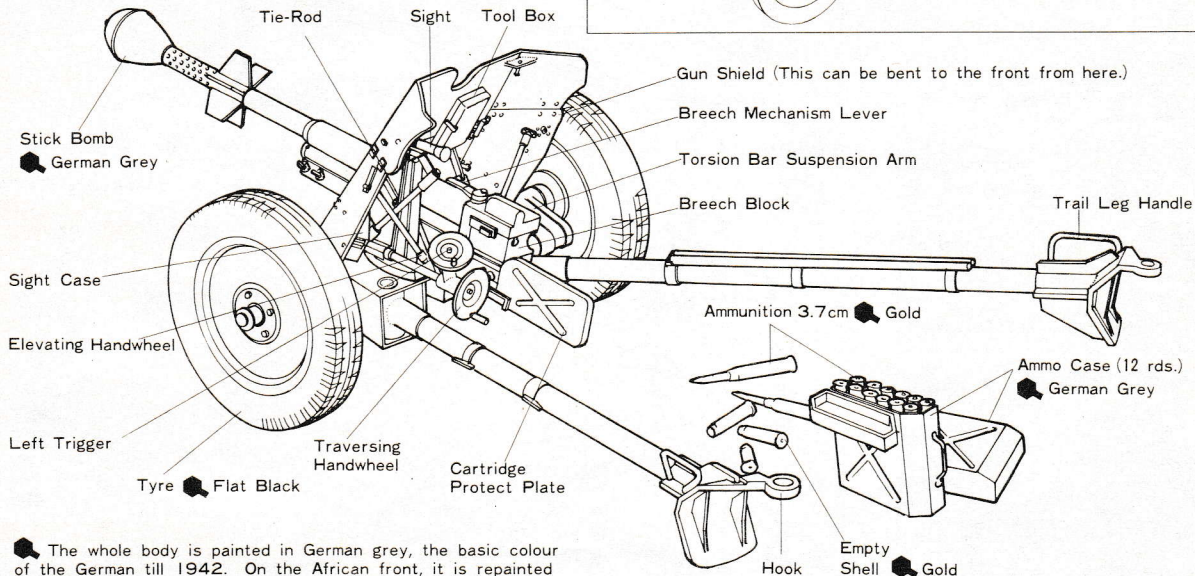
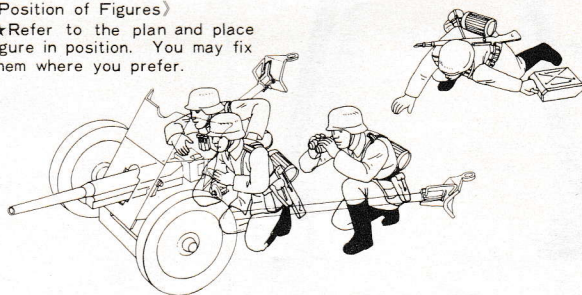
In the year of 1942, German military weapon were painted in a single German grey colour. And some 3.7cm anti-tank guns were used on the African front, and they used to carry dark yellow colour on the German grey base.

《Paint to be used》

- Flat Black
- German Grey
- Gold
- Dark Yellow
- Field Grey
- Flesh

《Position of Figures》

★Refer to the plan and place figure in position. You may fix them where you prefer.



The whole body is painted in German grey, the basic colour of the German till 1942. On the African front, it is repainted into dark yellow.



**READ
BEFORE
ASSEMBLY.**

**ERST LESEN
— DANN
BAUEN.**

★Study the instructions and photographs before commencing assembly.

★The actual 3.7cm gun was used not only as the 3.7cm gun itself but also as the mounted gun on various vehicles. This kit includes the MOUNT PARTS which makes it specially easy if you are going to house the gun onto the TAMIYA's Hanomag model, Military Miniature Series 35020. If you decide to enjoy this conversion, follow the instructions from step ① to ③ first, and proceed to «How to use Accessory Parts» at the bottom of this page.

★You will need a sharp knife, a pair of pliers, and a file.

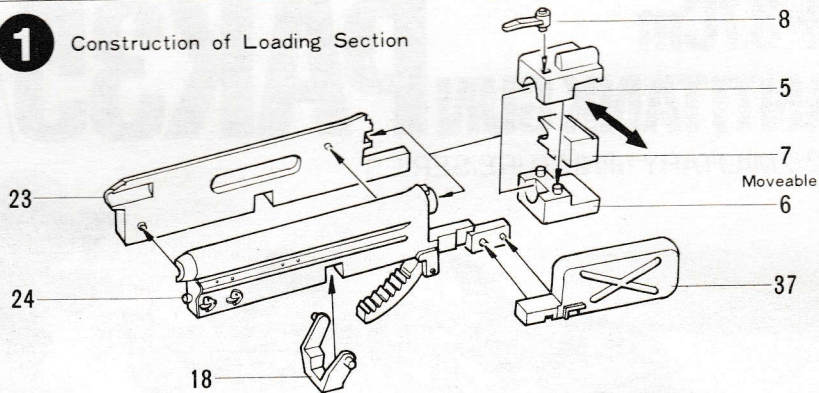
★Do not break parts away from sprue, but cut off carefully with a pair of pliers.

★Painting Your Model

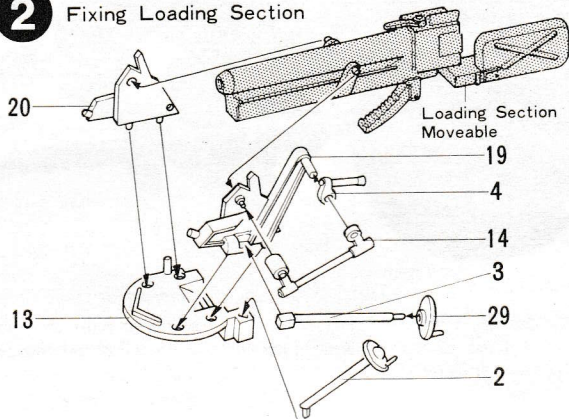
As well as improving the reality of your completed model, painting will give you greater satisfaction to make your own model. Moreover, paint coat ensures a good application of decals.

■ This mark indicates a recommended colour scheme.

① Construction of Loading Section

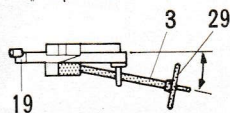


② Fixing Loading Section

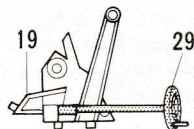


★When you fix parts 29 & 3, refer to the plans below and cement in position.

《Top View Plan》

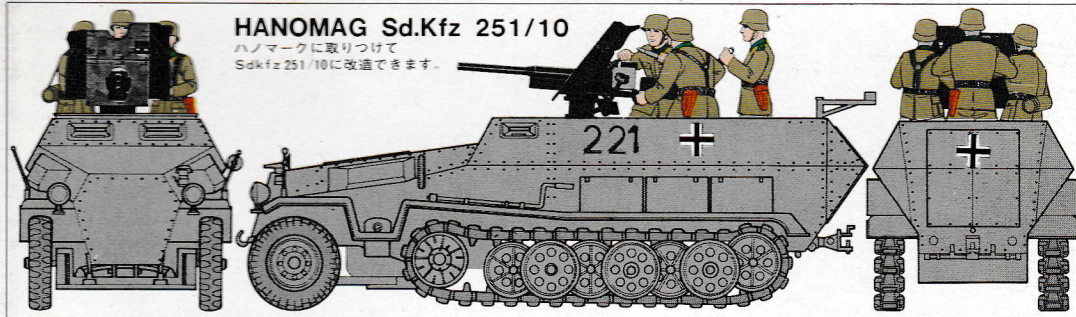


《Side View Plan》



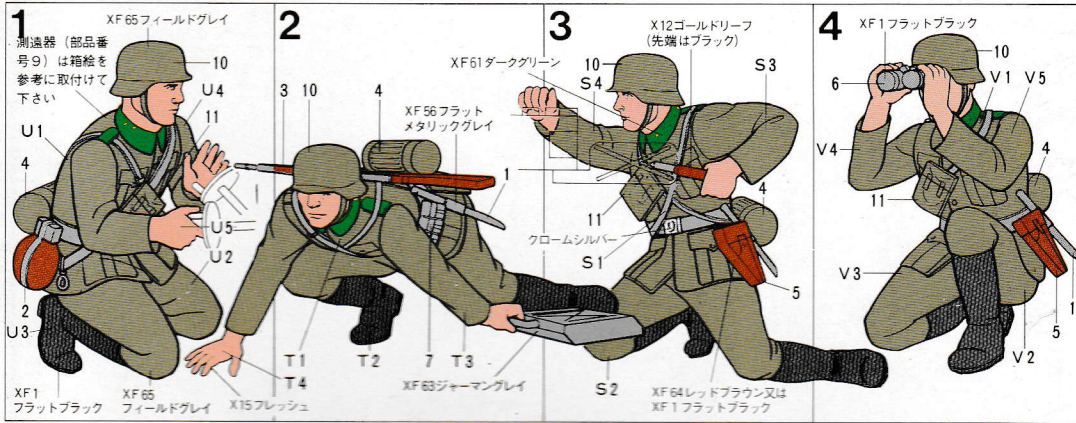
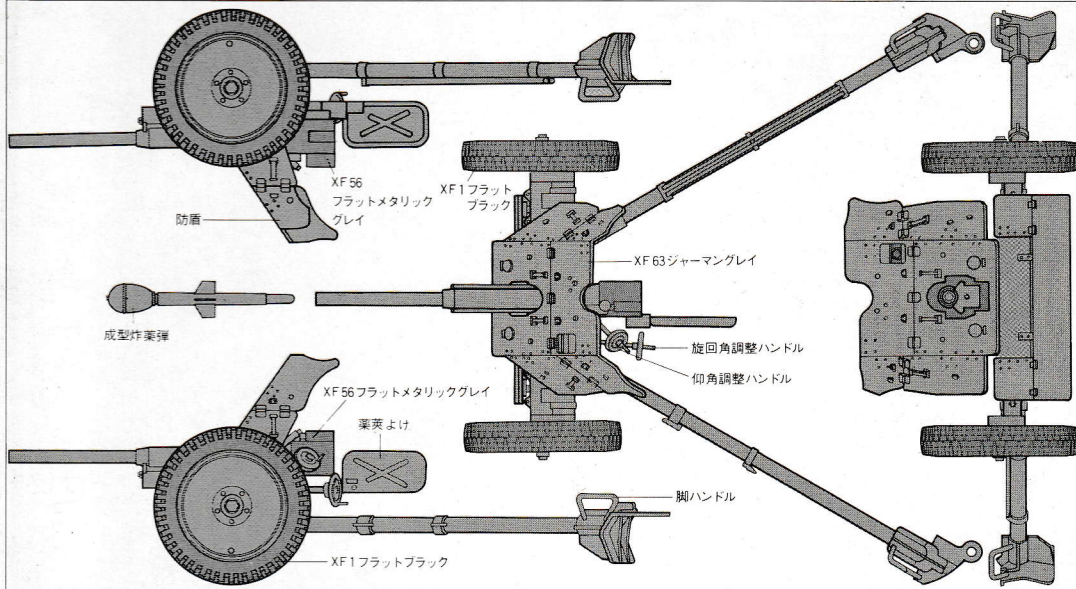
3.7cm ANTITANK GUN PAK 35/36

1/35 MILITARY MINIATURE SERIES NO.35 FOUR REALISTIC FIGURES



HANOMAG Sd.Kfz 251/10

ハノマークに取りつけて
Sd.Kfz 251/10に改造できます。



3-7-ONDWARA SHIZUOKA-CITY, JAPAN.

《37mm対戦車砲について》第2次大戦中ドイツ軍で使われた優れた対戦車砲のひとつとして知られているのが37mm対戦車砲 Pak 35/36-L45です。第1次世界大戦に新兵器戦車が登場、これに対抗する手段として第1次大戦後、各国で対戦車砲の研究が行なわれ、ドイツ陸軍は1934年、ラインメタル社に新しい37mm対戦車砲の開発を命じたのです。1935年に完成したこの37mm砲は、徹甲弾で初速762 m / 秒、457 mの距離から垂直に立つ48mmの装甲板を貫通できるという当時としては優れた性能を持ち、重量450 kgと取扱いも楽なもので、1936年より部隊に配備され、

各国の対戦車砲に大きな影響を与えました。1940年、新型のタンゲステン弾心徹甲弾が開かれ、37mm砲は貫徹力51mmとその性能を一段と高め、第2次大戦初期のドイツ対戦車砲部隊の主力として活躍することになります。しかし戦車のめざましい発達によって37mmはその威力を失い、1941年に入るといったんは第2線級の兵器に格下げされることになったのです。ところが大战後期になると、砲口にはめ込んで空砲で発射する対戦車成型炸薬弾が実用化され、この新型炸薬の使用によって、37mm砲は近距離対戦車攻撃にふたたび活躍することになったのです。

《模型要目》★37mm砲の精かな姿を精密に1/35スケールでモデル化。★砲身は上下に可動。通常弾を使用する状態と成型炸薬弾を使用する状態のどちらでも選ぶことができます。★脚は開閉させられます。★弾丸、から薬きょうなどのアクセサリー部品をセット。★タミヤの1/35ハノマークに搭載するためのパーツも入っています。★イキイキとした姿の射撃中のドイツ兵の人形4体がついています。

田宮模型
静岡市恩田原3-7 千422