

Baureihe 52 mit steifrahmentender



B252 蒸汽機車頭豪華改造套裝

1/35 MILITARY MINIATURE VEHICLE Superdetail UPGRADE SERIES NO. 002

For Trumpeter 00210

	切除阴影部分 Remove		钻孔 Drill	00	蚀刻片零件标号 Number of PE parts		根据喜好选择安装 Optional
	锉平阴影部分 File		另一侧相同制作 Repeat opposite side	00	原套件零件标号 Number of original parts		制作所示若干组 Make some pcs
	填补 Use filler		安装箭头 Install arrow	00	被替换的零件标号 Number of replaced parts		注解一 Note 1
	弧度弯折 Roll		弯折箭头 Fold arrow		使用圆棒制作 Use ABS rod		注解2 Note 2

RECOMMENDED TOOLS 推荐使用工具



Thanks for your choice of our pro35002 upgrade set to superdetail your model.

Please read the instruction carefully before you start, make sure to make through understanding of the sequence to eliminate any possible mishap.

The detail set contains sharp edges, handle with good care to avoid injury.

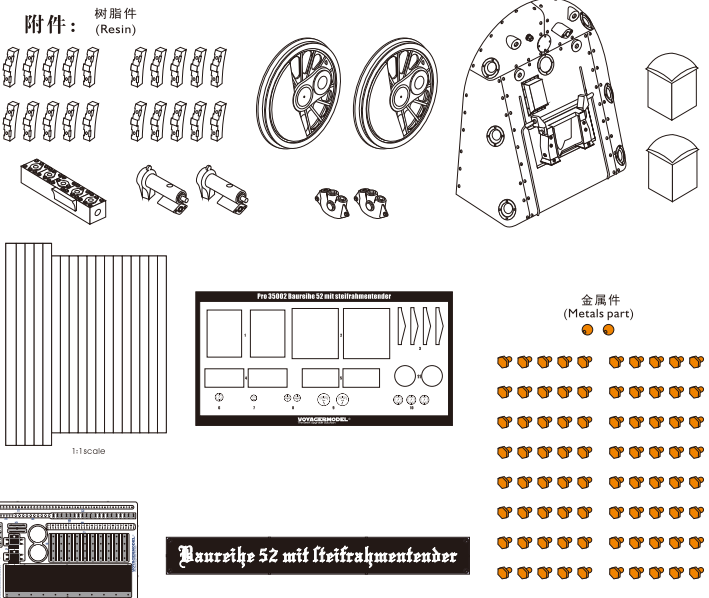
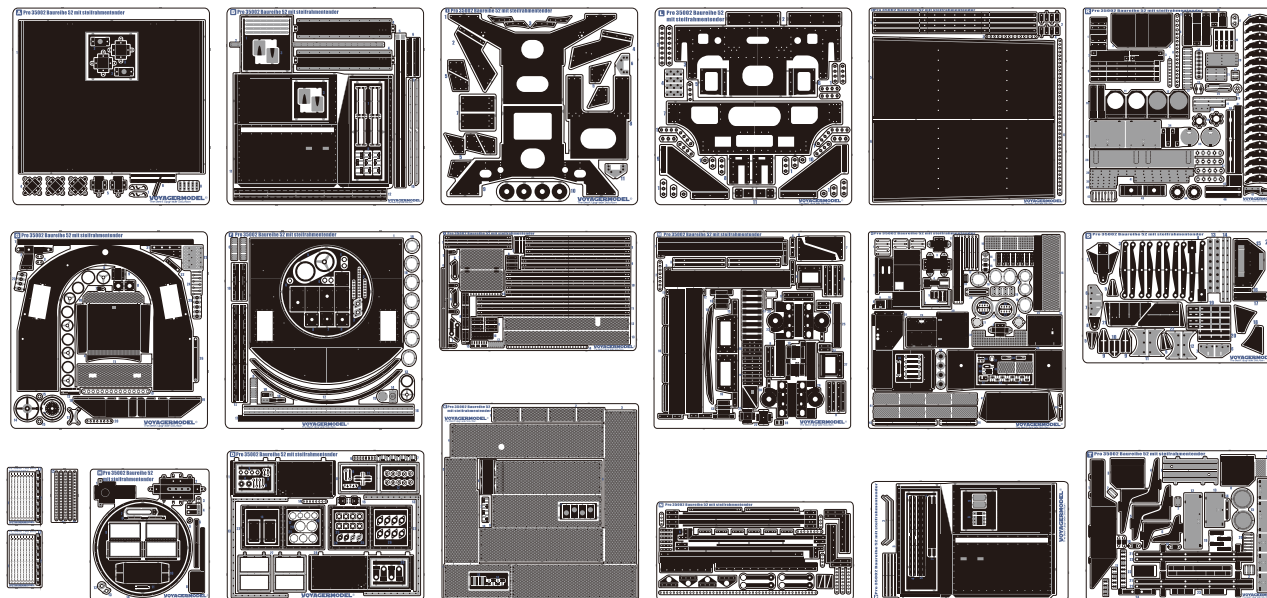
Use cyanocylate glue for cementing metal and resin parts. CA glue is eye iritant, handle carefully.

非常感谢您选择沃雅PRO35002来提升您的作品；

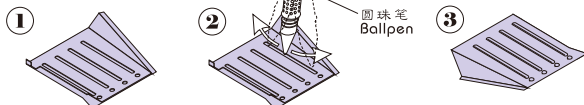
请仔细阅读说明书，以免装配错误；

制作中可能存在功能性锐角，请您小心使用；

使用速干胶水时请注意安全



注解一: 
Note 1:

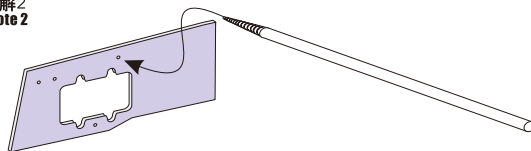


① 将刻片零件内侧面朝上
PE part Inboard side turn up

② 用笔尖在凹槽处划
Use penpoint scratch on the flute

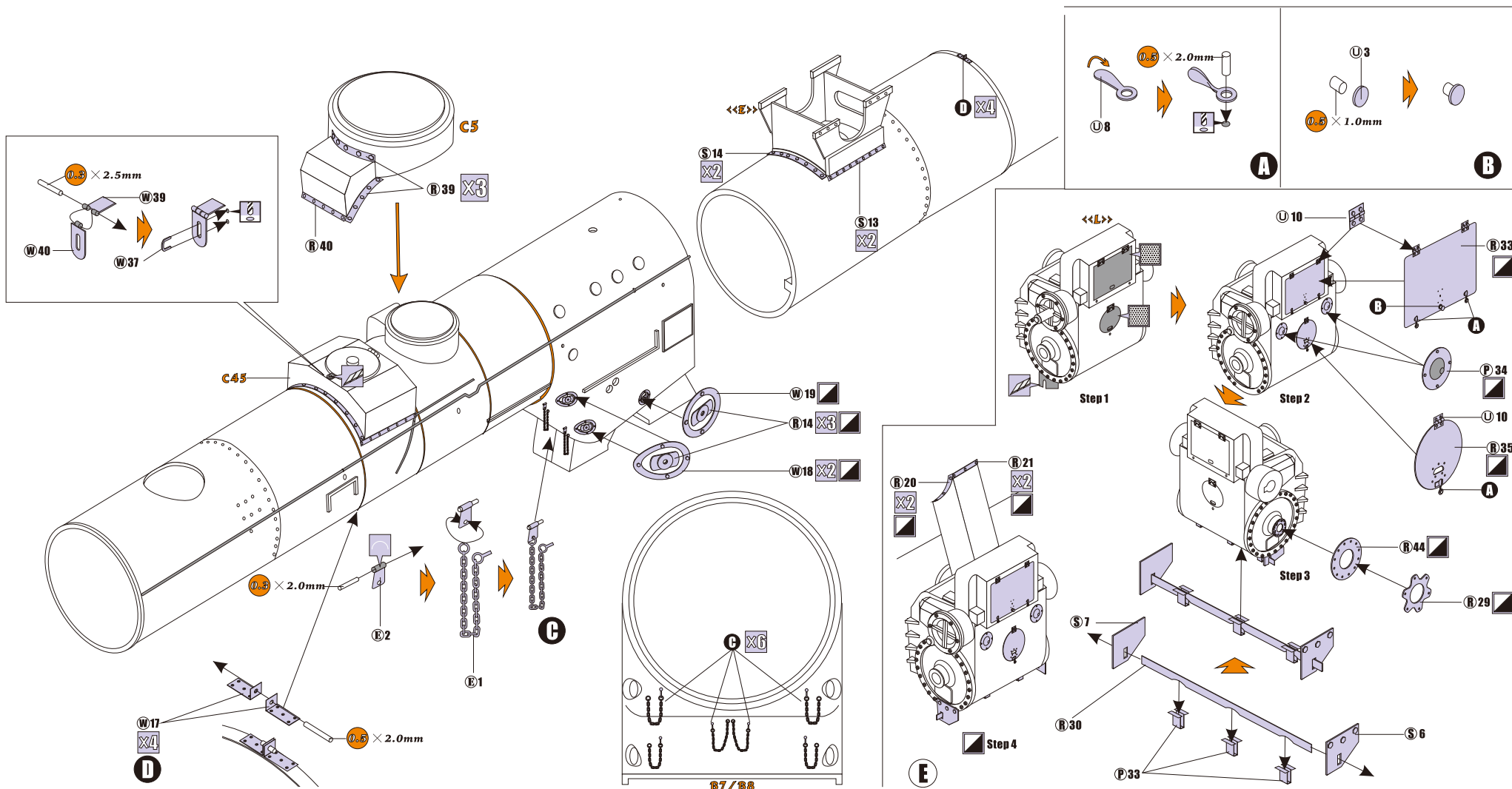
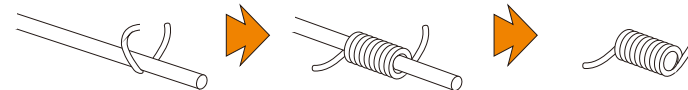
③

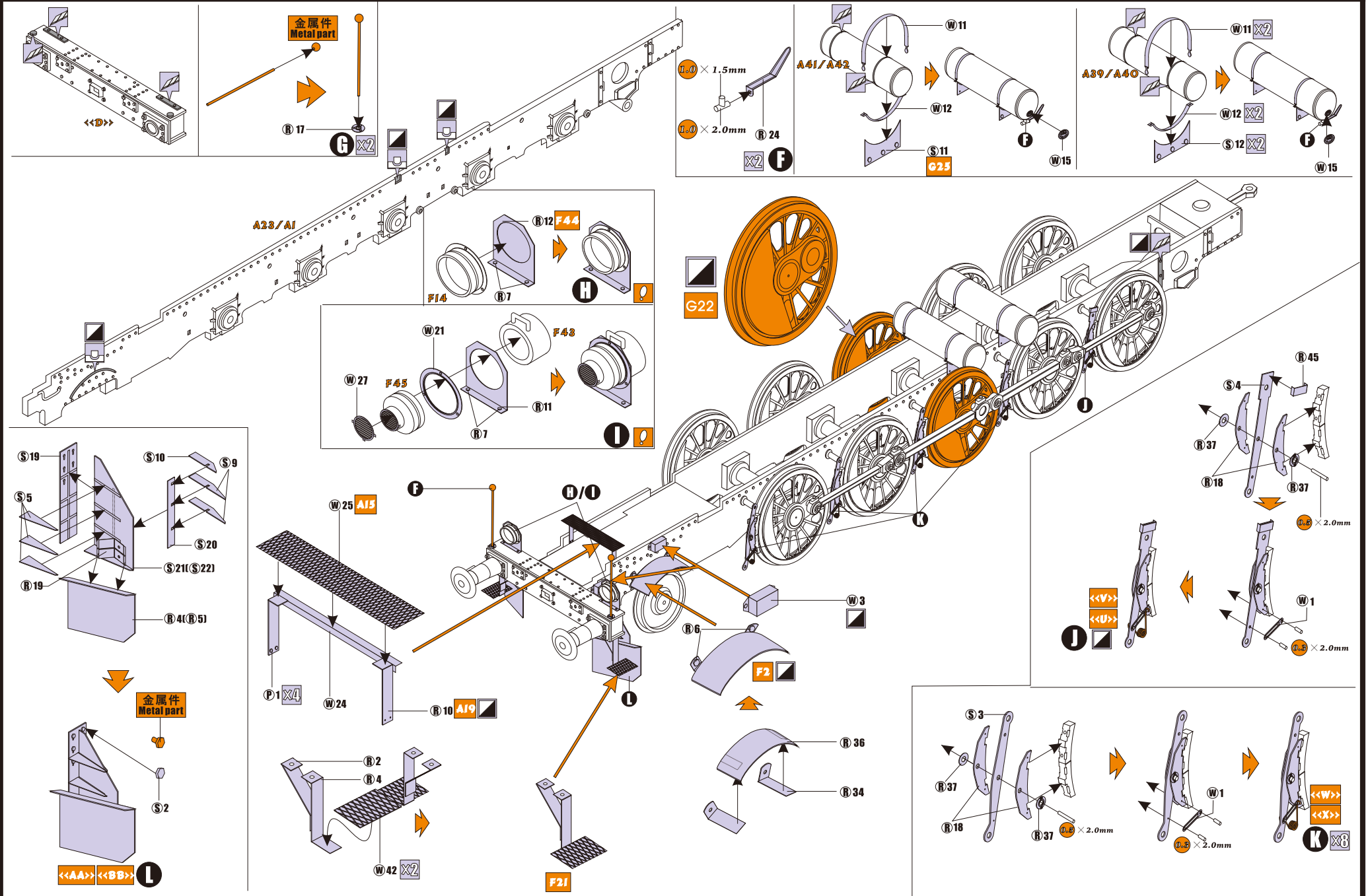
注解2
Note 2



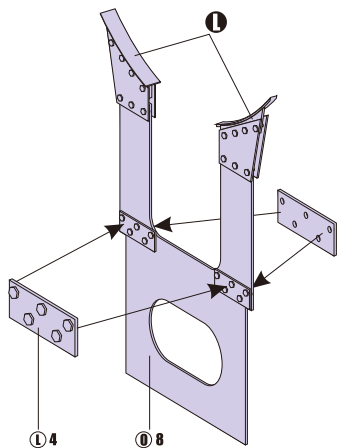
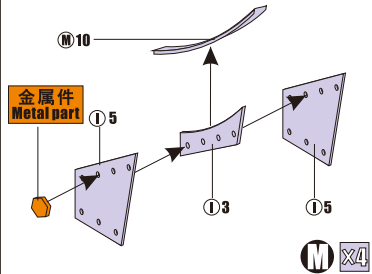
如果孔洞略紧, 建议使用钻头或者圆形小锉刀进行修整
We suggest use auger or round needle-file if these holes are tight

注解3
Note 3

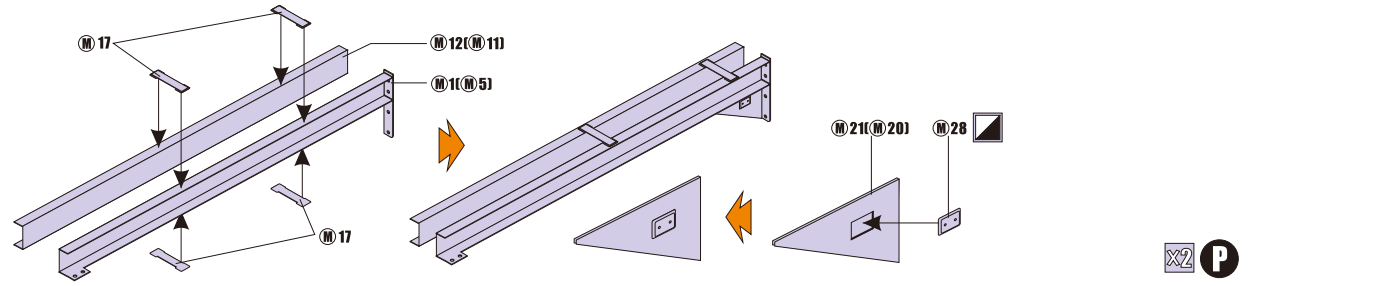
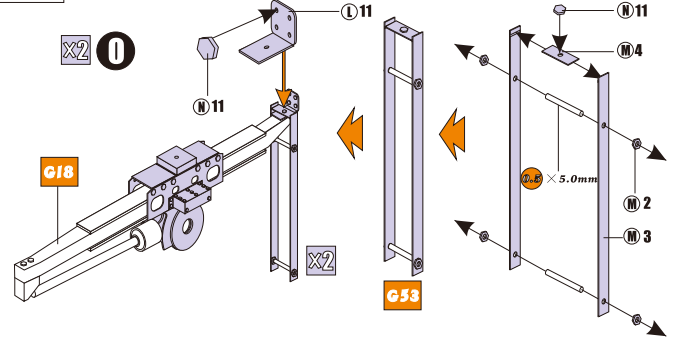
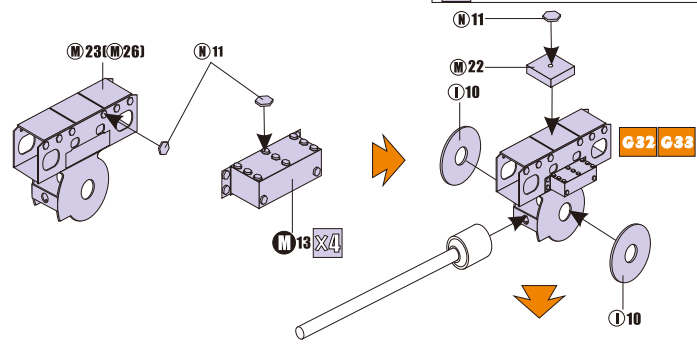
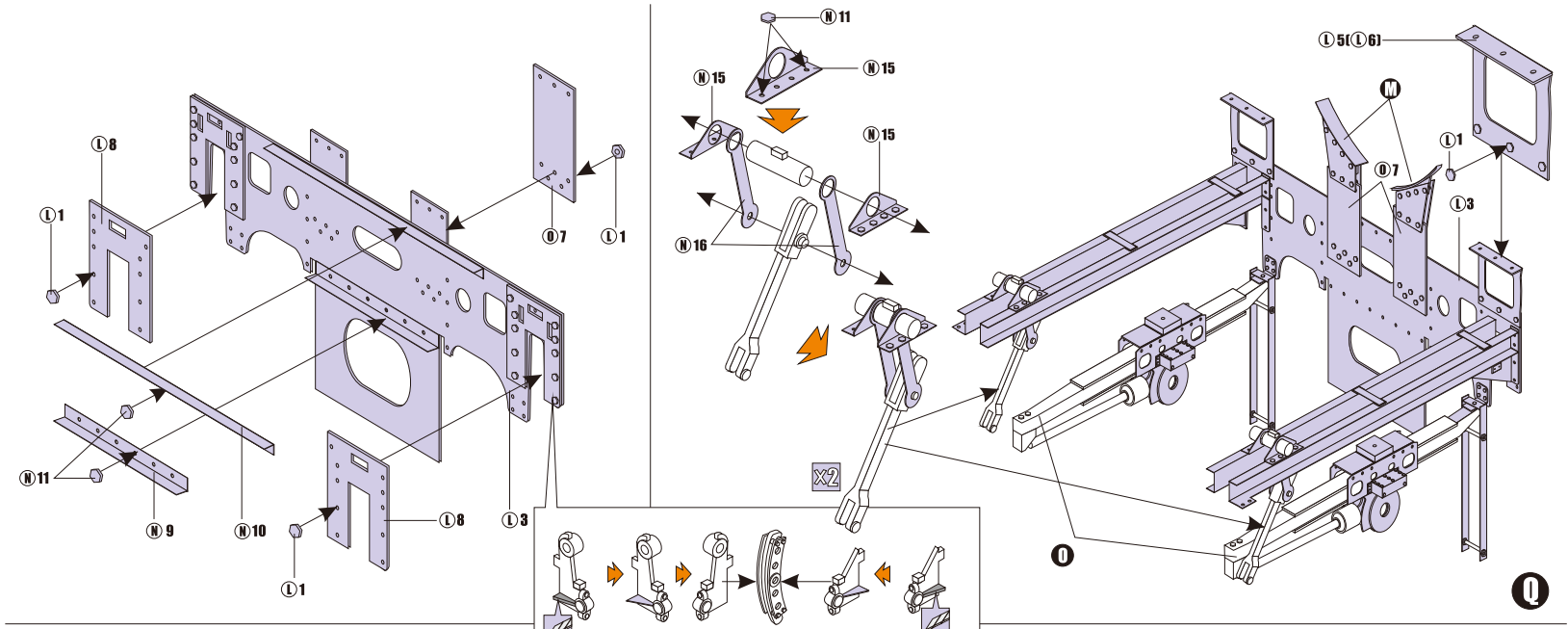


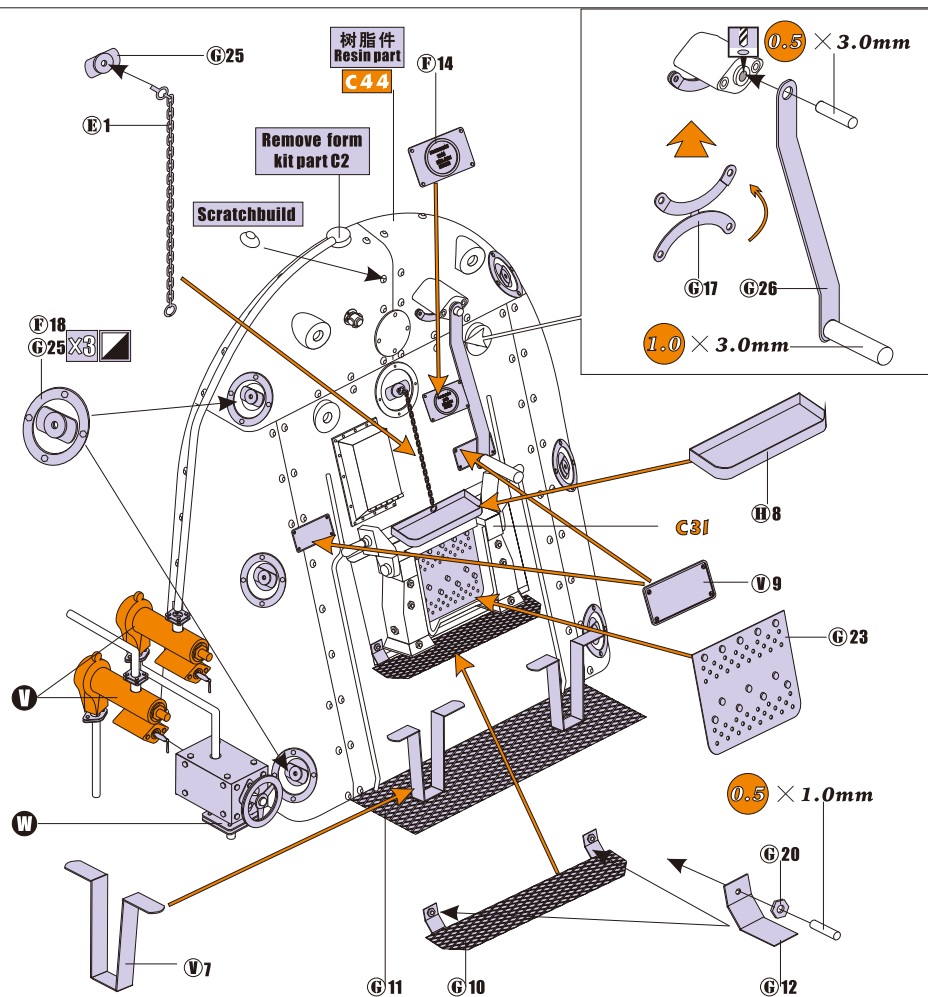
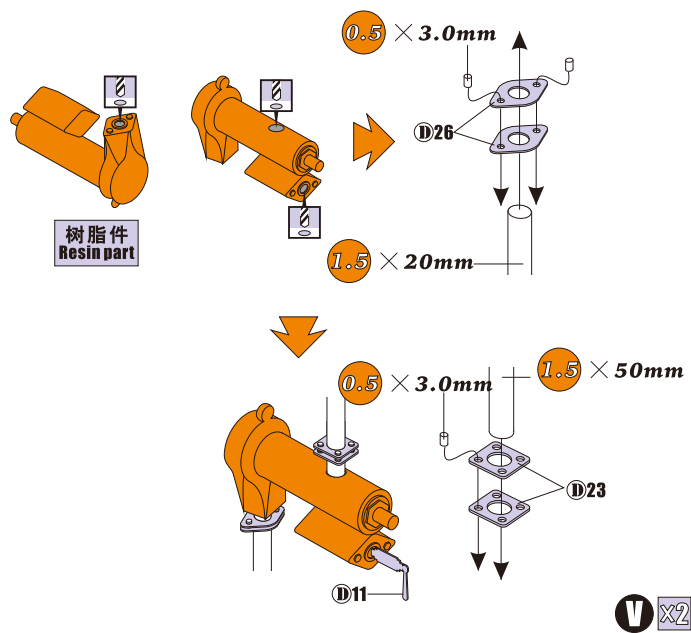
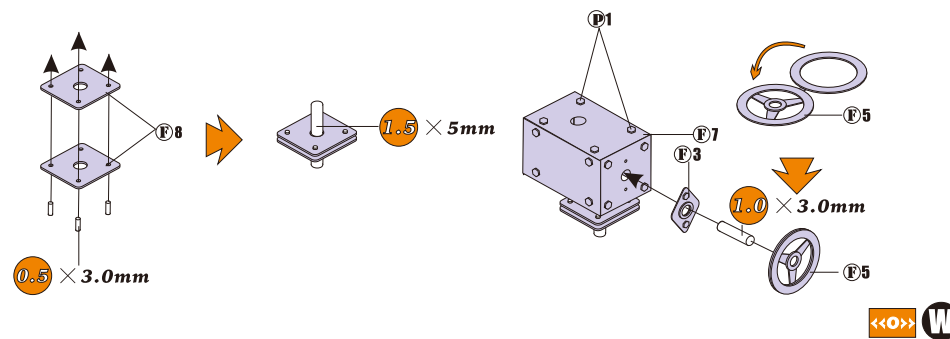
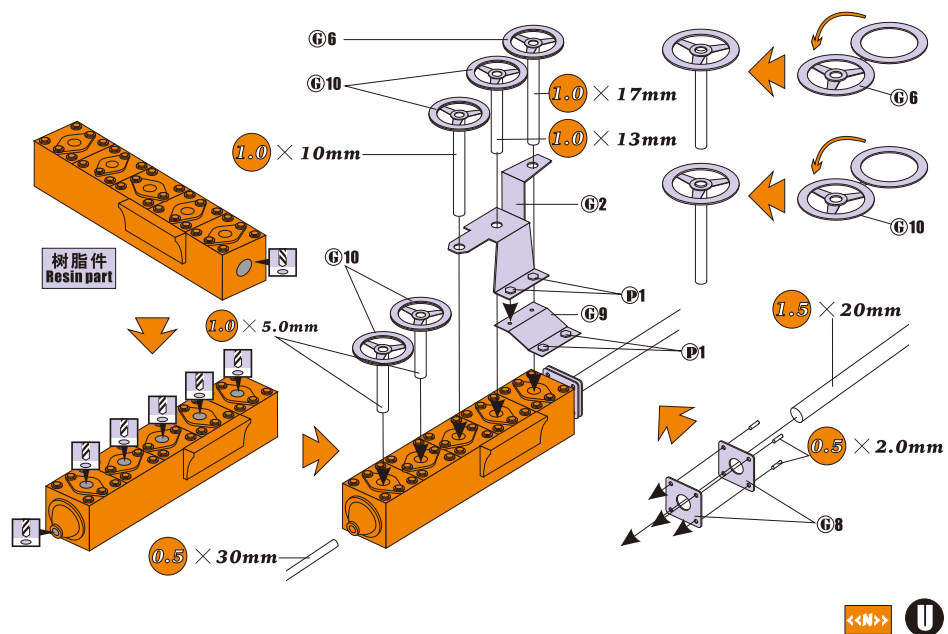


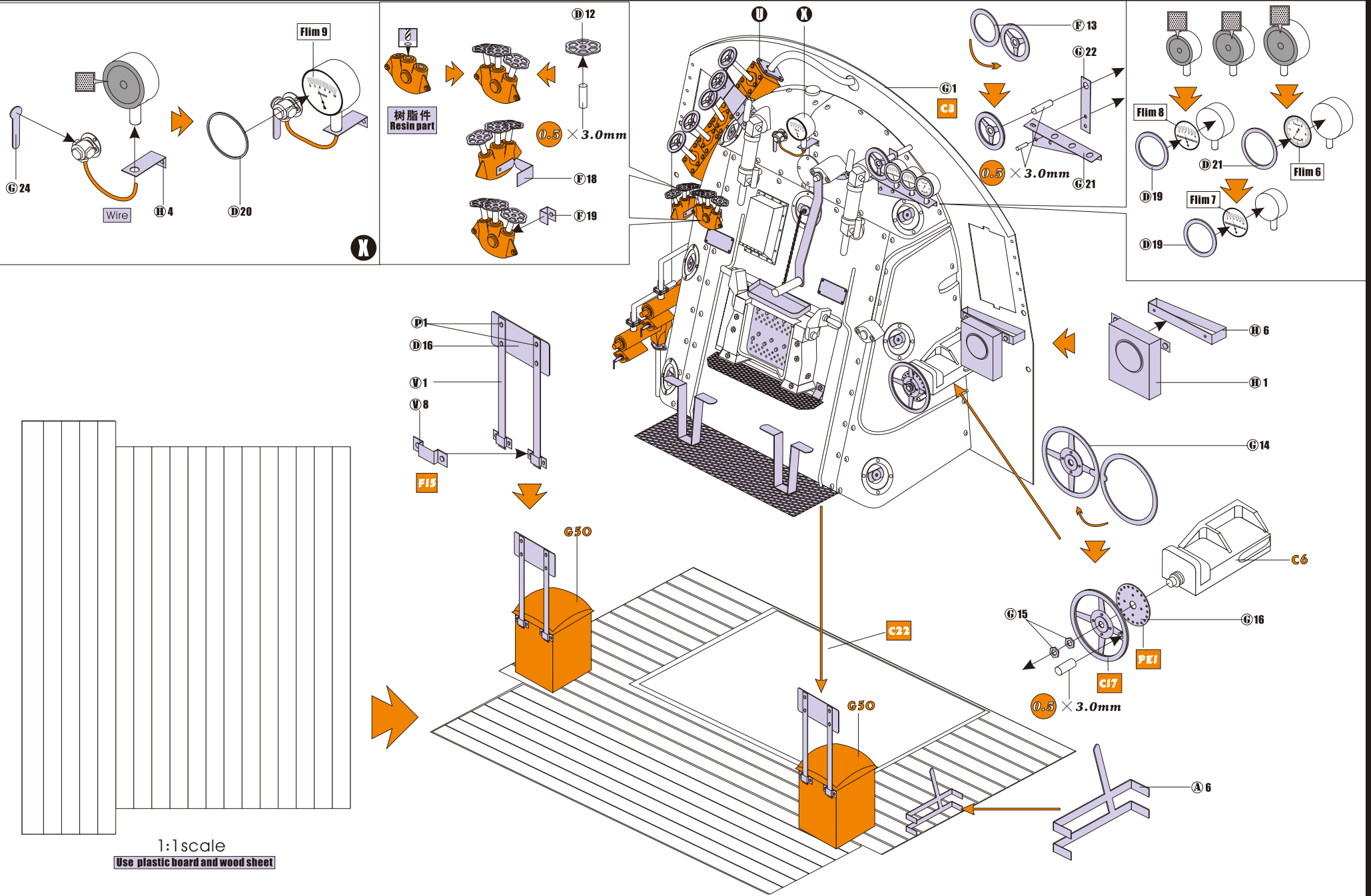
金属件
Metal part



D2 N







1:1 scale

Use plastic board and wood sheet

