

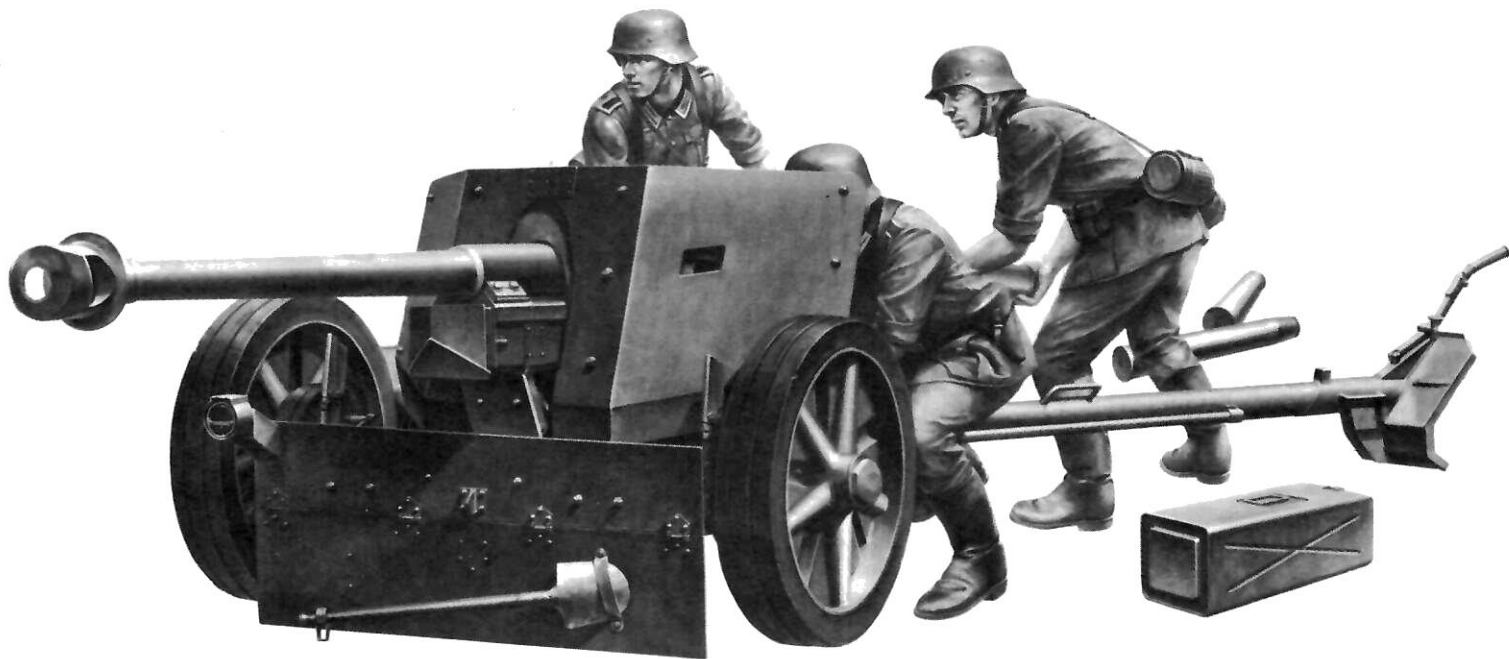
75Cm

ANTITANK GUN

PAK40/L46



1/35 MILITARY MINIATURE SERIES

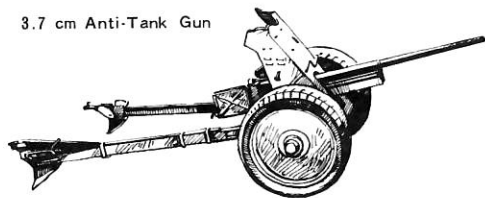


The German campaign against France, which started on 10th May 1940 and ended only six weeks later, showed the world the terrible power of the blitzkrieg tactics again and dealt the decisive blow on the military of other nations who had refused to consider the tank as the main strength of their troops.

Although the campaign resulted in a complete victory for the Germans, the battle itself was not completely satisfactory even to the victors. This was because the battle offered some problems concerning the tank and other points. For instance, German light tanks, even though they exceeded in number, proved no match for Allied heavy tanks protected with thick armour, and the 3.7 cm anti-tank gun, one of the then German main weapons, proved effective under no circumstances against the heavy tanks. From the campaign, the Germans learned a lesson that quality mattered more than quantity.

The German Ordnance Bureau had not failed to anticipate the problems. As early as 1937, the Ordnance Bureau ordered Rheinmetall to develop a 5 cm anti-tank gun. Designing was completed in 1938, but the production line could not produce it in time for the French campaign. The 5 cm anti-tank gun model 38 (60 calibre long), as well as the 3.7 cm anti-tank gun model 35/36 also designed by Rheinmetall, was recognized in those days as an excellent weapon

3.7 cm Anti-Tank Gun



of epoch-making design. The 5 cm gun was to be soon scaled up into its successor 7.5 cm anti-tank gun.

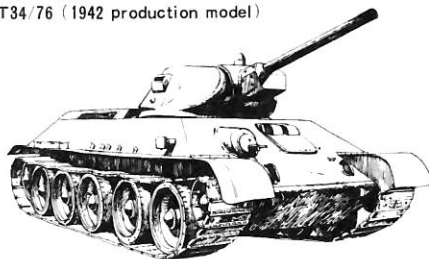
At that time, Rheinmetall was developing a long-barrelled 7.5 cm tank gun to be mounted on the German Pzkwf IV in place of the original short-barrelled (24 calibre long) 7.5 cm gun, because the Germans had to reinforce the tank to cope with tank-to-tank fighting which they considered inevitable in the coming war. Developed at the same time was the 7.5 cm anti-tank gun which later became the main

Pzkwf IV



and typical anti-tank weapon of the German Army. On 22nd June 1941, the Germans started "Operation Barbarossa" against the Soviet Union. To cope with the invading force, the Russians sent their new and powerful T-34 and KV-1 to all the fronts and therefore all German anti-tank guns became relatively outdated. It was the 7.5 cm anti-tank gun that moved

T34/76 (1942 production model)



into the limelight under these circumstances.

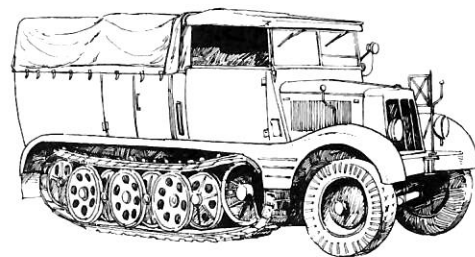
As a means to cope with Russian heavy tanks, the Germans began to send the 7.5 cm anti-tank gun model 39 (48 calibre long) to the front in the autumn of 1941 and deliver the 7.5 cm anti-tank gun model 40 (46 calibre long), production type, to troops in the summer of 1942.

The 7.5 cm anti-tank gun model 40 inherited most strong points in mechanism of the 5 cm gun. The long barrel of 46 length calibre equipped with double-action muzzle brake was of one-piece construction with no joint. Horizontal sliding block breech was designed for semi-automatic loading. Recoil mechanism was improved and fitted with an additional hydraulic buffer. Two rear trail legs in the German style

were used. The gun carriage was equipped with torsion bars and German unique wheels consisting of cast steel disc and rubber tyre. The shield for protecting the gunners was also similar in construction to that of the 5 cm gun and had two 4 mm armour plates fixed 25 mm apart.

With an armour-piercing projectile model 40, the 7.5 cm gun was able to penetrate a 130 mm armour plate erected at a distance of 1,000 meters. The maximum rate of fire was 14 rounds per minute. The gun could be swivelled by 65° to each side, elevated by 22° and depressed by 5°. It was operated by a crew of eight men.

Around the summer of 1942, the 7.5 cm anti-tank gun model 40 became the main strength of German anti-tank gun battalions and 12 pieces were used by each



Sdkfz 11

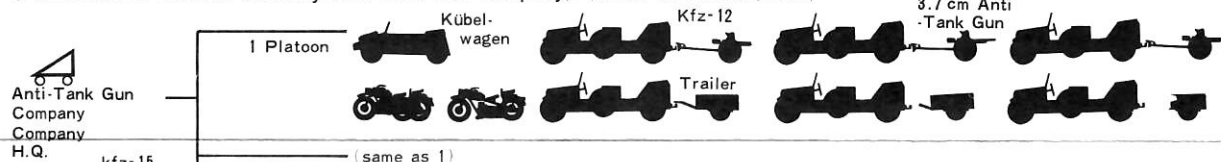
of their companies. It was often towed by the 3-ton tractor Sdkfz 11. With the progress of the war situation, the gun combined with the chassis of fighting vehicles including the Pzkwf IV to make up a



Marder II

great number of tank destroyers or self-propelled anti-tank guns that rendered distinguished services thereafter.

《Formation of German Infantry Anti-Tank Gun Company》 (as of November, 1941)



Anti-Tank Gun Company H.Q. 44-15

H.Q. kfz-15



Side car



Motor-cycle



2 Platoon (same as 1)



Kfz-70

5 cm Anti Tank Gun



Trailer



Kfz-81

7.5 cm Anti-Tank Gun

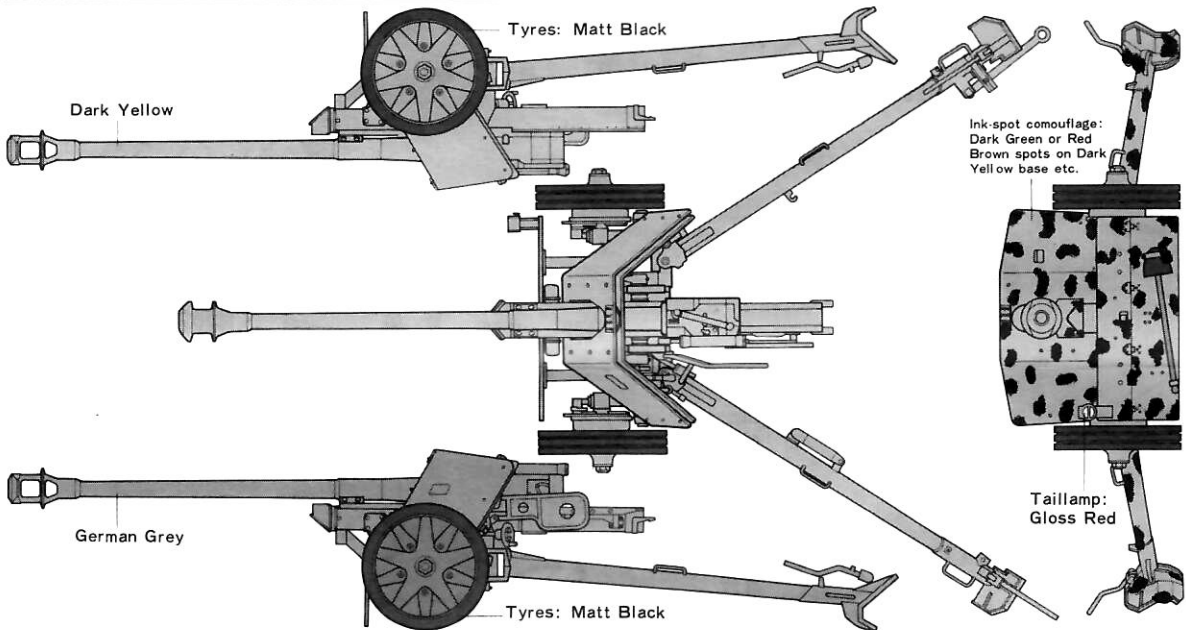


Supply Platoon

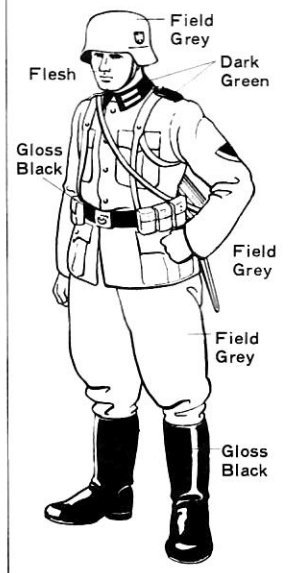
(Painting of 7.5 cm Gun)

From 1935 to February 1943, German weapons and vehicles used dark yellow for Africa or German grey as their basic colour. On 18th February 1943, the German authorities accepted only uniform dark yellow painting as a standard and after that many weapons and vehicles were repainted in this way. However, various camouflages were worn according to the season or the terrain of the battlefield. These were applied onto the basic colour by means of a brush or spray gun. To camouflage 7.5 cm guns, flat white water paint was generally used in winter and reddish brown or

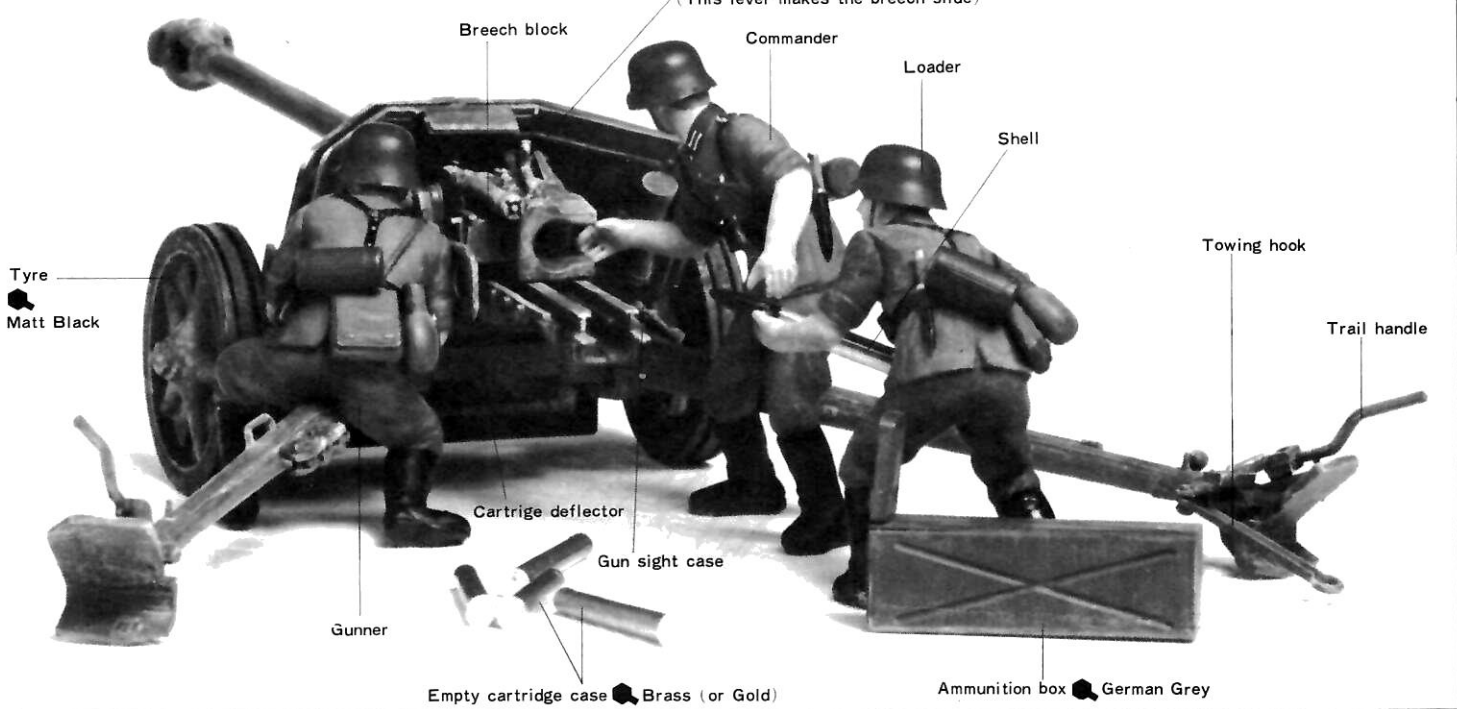
dark green spots were painted on the dark yellow ground in other seasons. Not all 7.5 cm guns were camouflaged in the same way. Their camouflages seem to have varied according to the terrain of the field. Toward the end of the war, uniform painting in German grey was often seen, probably because the Germans became short of paint.



(Painting of Figure)



(Position of Figures and Names of Various Parts)

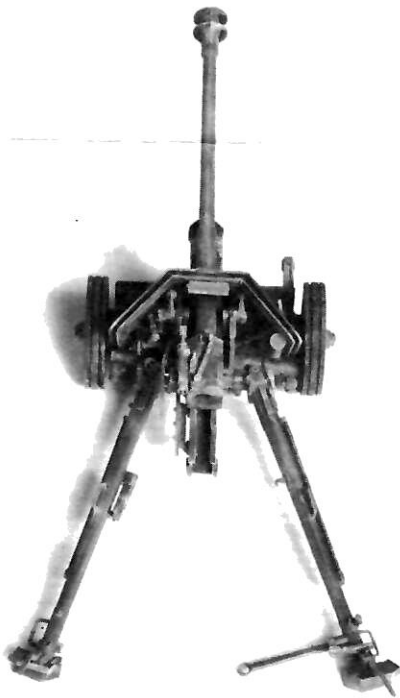




- ★ Study the instructions and photographs before commencing assembly.
- ★ You will need a sharp knife, a pair of tweezers, a file, and a pair of pliers.
- ★ Do not break parts away from sprue, but cut off carefully with a pair of pliers.
- ★ Use glue sparingly. Use only enough to make a good bond. Apply cement to both parts to be joined.

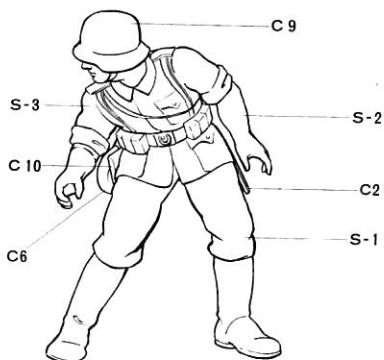
<Instruction for Painting>
 For overall painting, see the box art and the painting page overleaf. For painting of parts, see the assembly drawings.

<Construction of 7.5 cm Gun>
 Follow the instructions for construction. Be careful of movable parts.

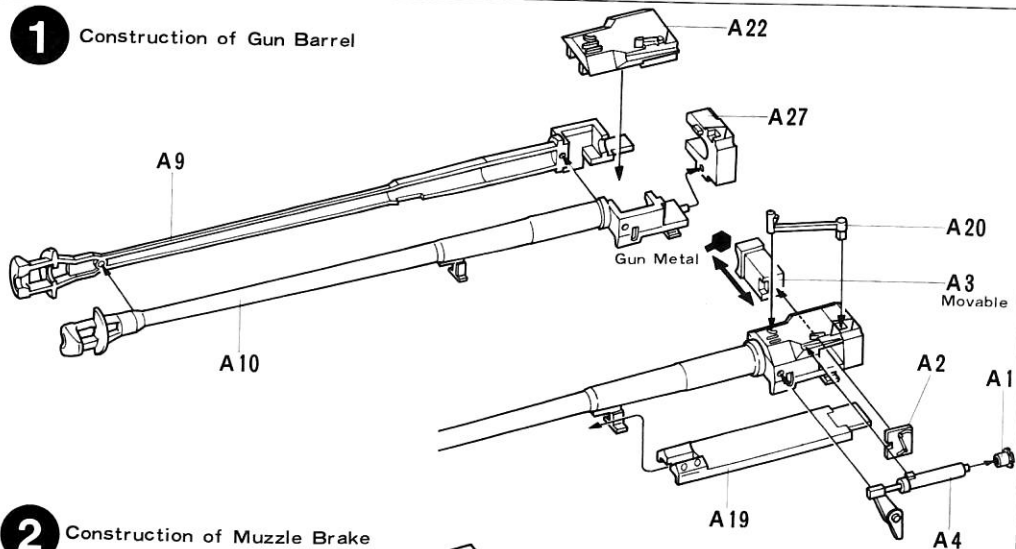


<Construction of Figures>
 The kit contains three model figures: commander, gunner and loader. Construct them as shown in the figures below.

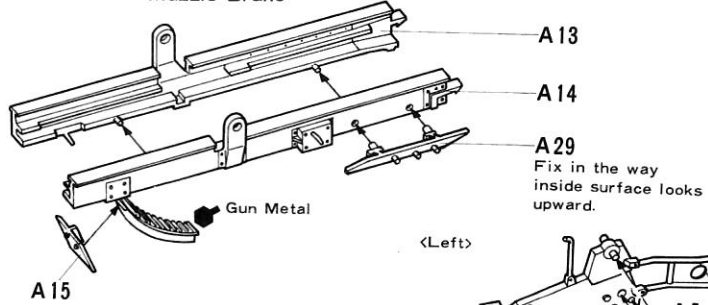
<Commander>



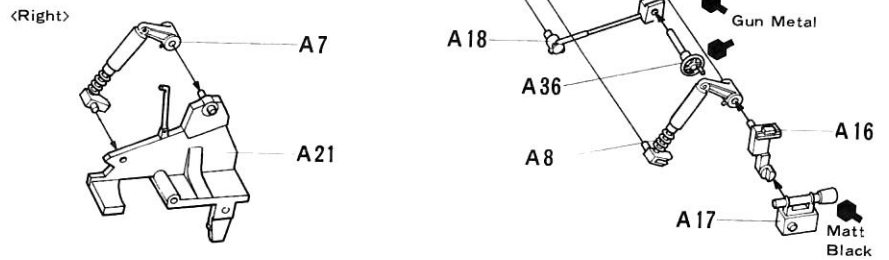
1 Construction of Gun Barrel



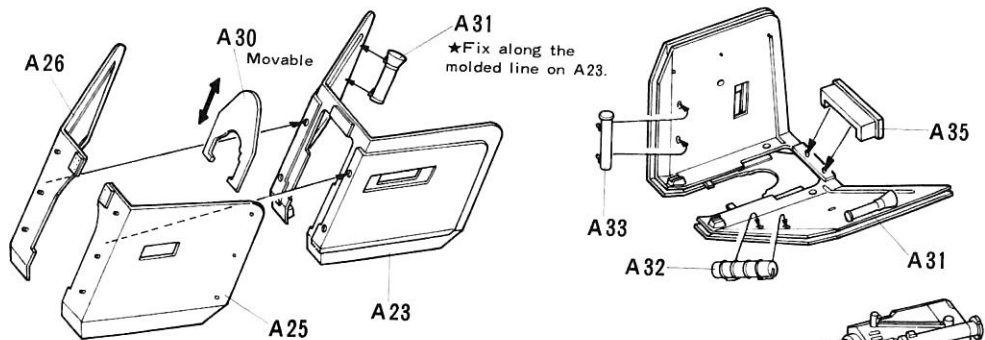
2 Construction of Muzzle Brake



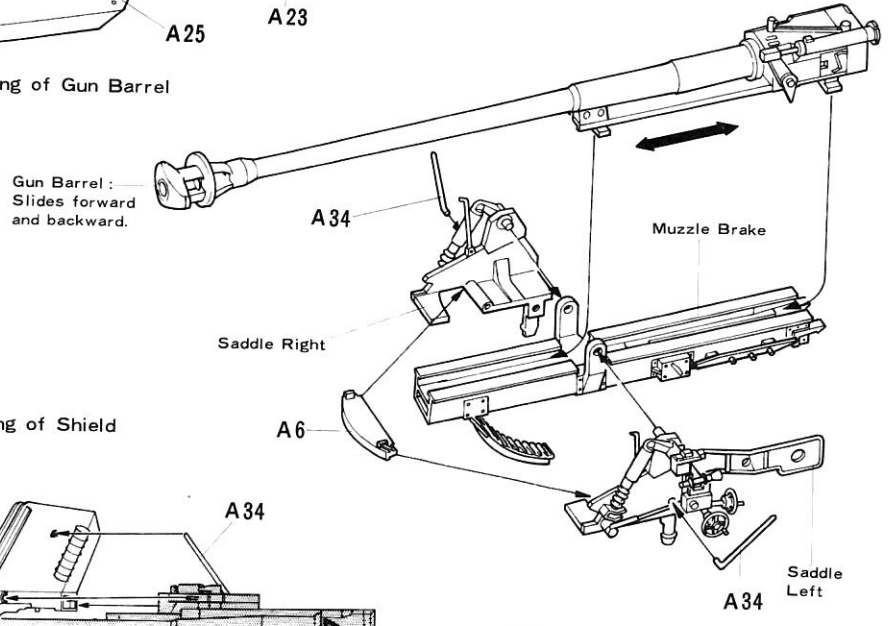
3 Construction of Saddle



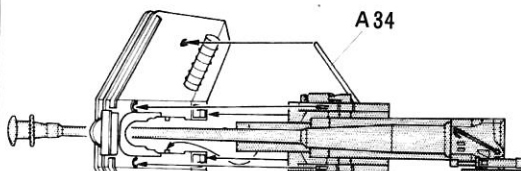
4 Construction of Shield



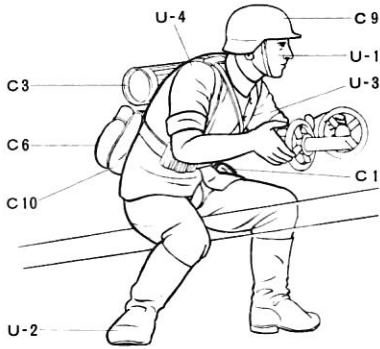
5 Fixing of Gun Barrel



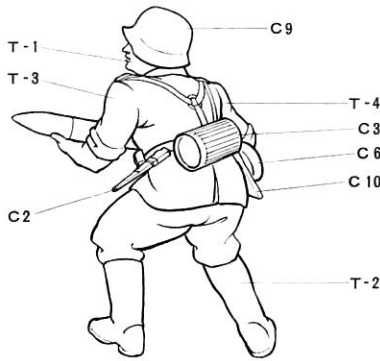
6 Fixing of Shield



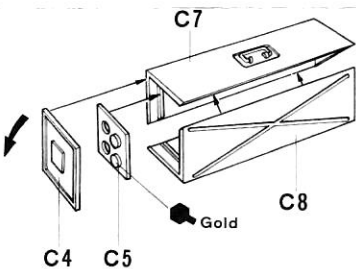
<Gunner>



<Loader>



<Construction of Ammunition Box>
Model figure parts contain an ammunition box, shells and empty cartridge cases. Use them as accessories for diorama.



★C4 can be fixed in either open or closed position.

Tamiya Acrylic Paints

Need precise colour matching? Try the new Tamiya acrylic paints. Engineered by modelers for modeler's use. The final cover for the finest models. Insist on Tamiya for perfect results.

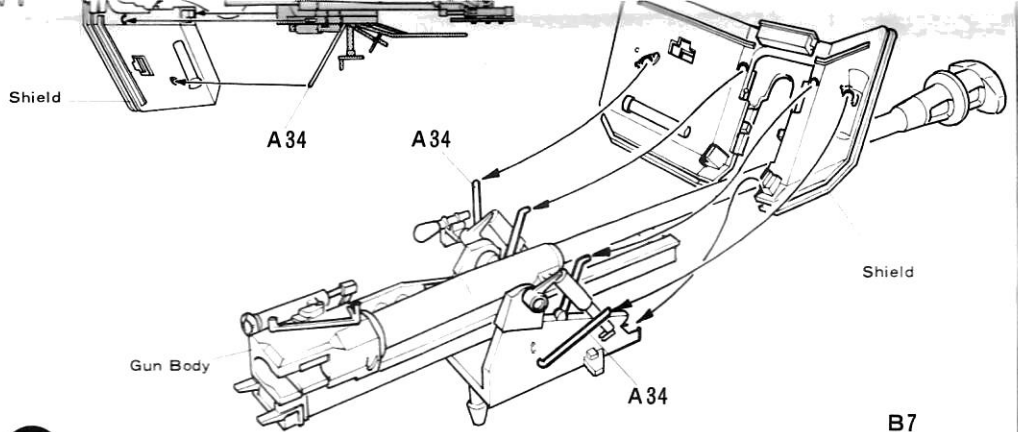


TAMIYA COLOUR CATALOGUE

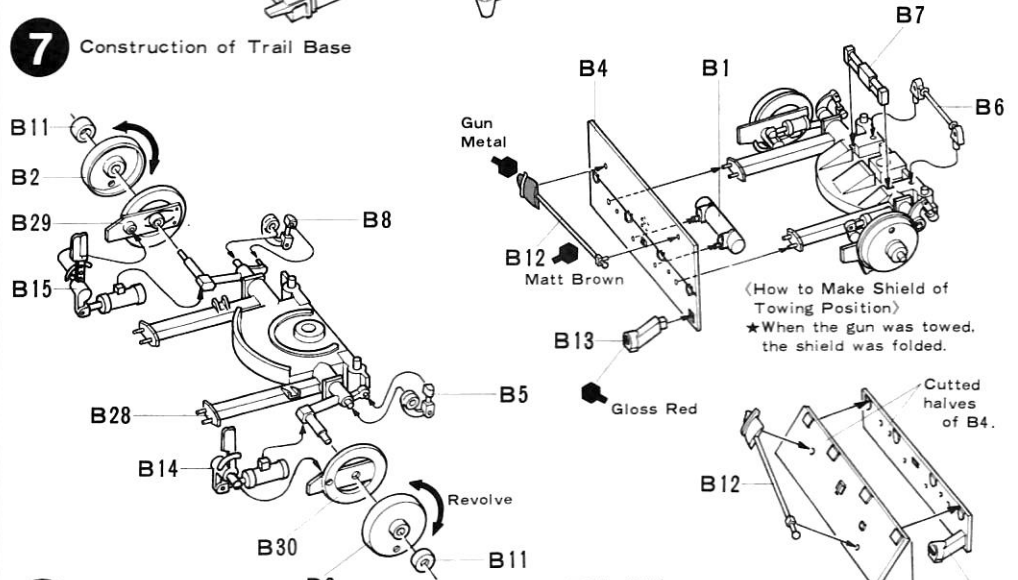
The latest in cars, boats, tanks and ships. Motorized, radio controlled and museum quality models are all shown in full colour in Tamiya's latest catalogue. At your nearest hobby supply house.

Like to detail your models?

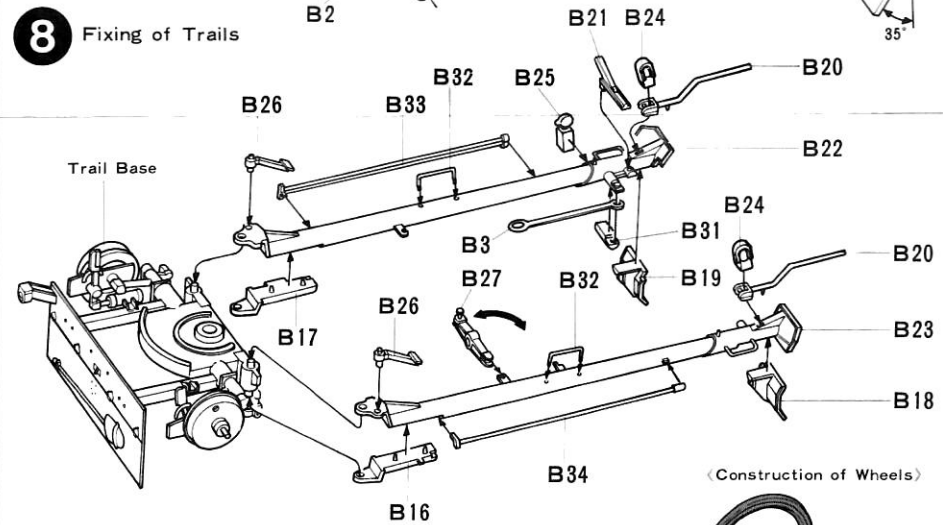
Tamiya has a fine line of photo albums that will help you in the super detailing of your tank models or diorama construction. See them at your nearest Tamiya supply house, or order direct from the factory.



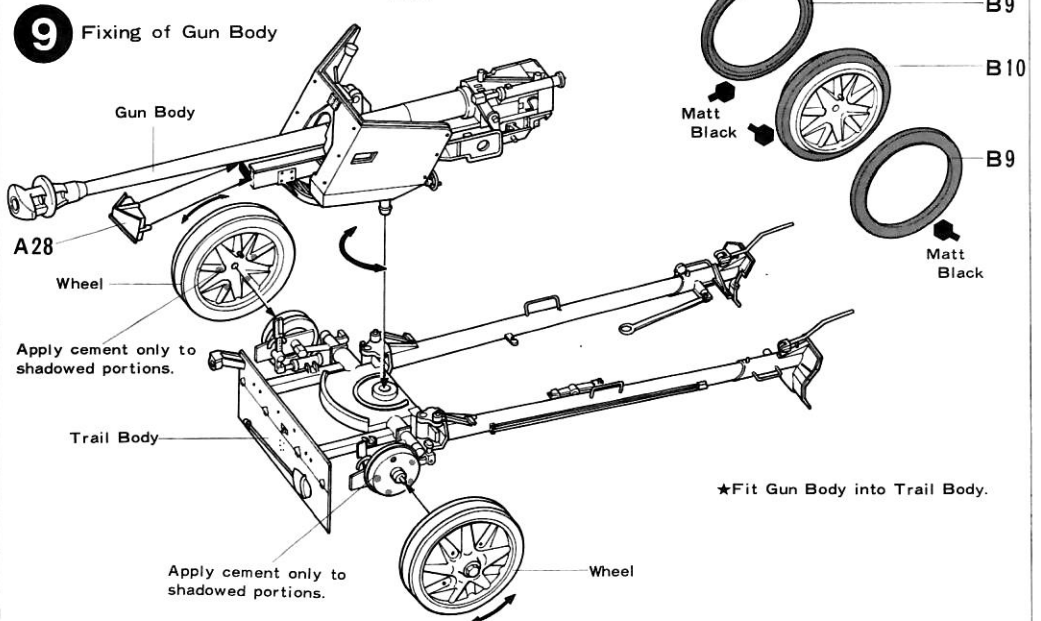
7 Construction of Trail Base



8 Fixing of Trails



9 Fixing of Gun Body



★Fit Gun Body into Trail Body.