

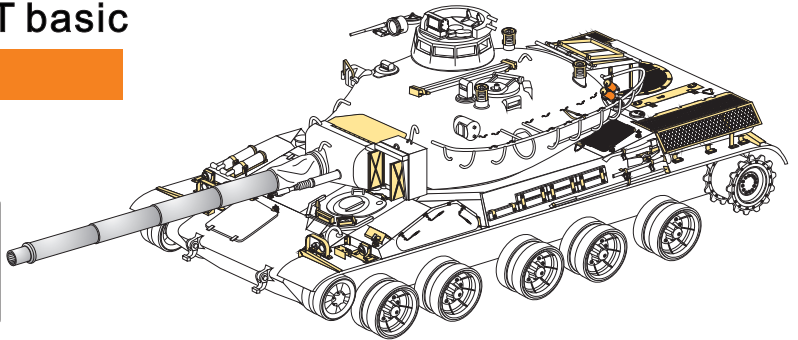
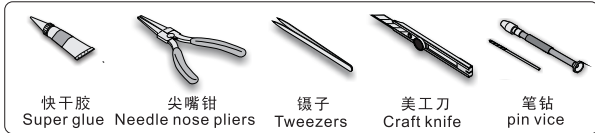
1/35 MILITARY MINIATURE VEHICLE UPGRADE SERIES PE35549

Modern French AMX-30B MBT basic

现代法国AMX-30B主战坦克改造件

[For MENG TS-003]

推荐使用工具 RECOMMENDED TOOLS



- 安装
install
- 折叠
bend
- A1**

改造件零件编号
PE/resin part number
- B12**

原零件编号
kit part number
- C22**

被替换的原零件编号
replaced kit part number
- 另一侧相同制作
repeat on opposite side
- 切除
remove
- 打磨
grind off
- 弧度卷曲
radial bending
- x2**

制作若干组
multiple assembly
- 选择安装
alternative
- 钻孔
drill
- 用胶棒制作
make from plastic rod

用尖端在凹槽处冲压
use penpoint to press on the dent

蚀刻片零件内侧面向上
Put the part upside down
 用笔尖在凹槽处刺
Use penpoint to press on the dent

漏喷板使用说明:
Instruction:

未上色零件
Unpainted part

喷橡胶黑
spray tyre black

使用遮喷板为轮毂
喷上所需要的颜色
use template to paint
required hub colour

完成
Completed part

金属材料
metal part

E32

C1

a

B1

B57

E40

A17

b

B87

E28

c

B68

A27

B68

A27

E36

C4

d

C3

E59

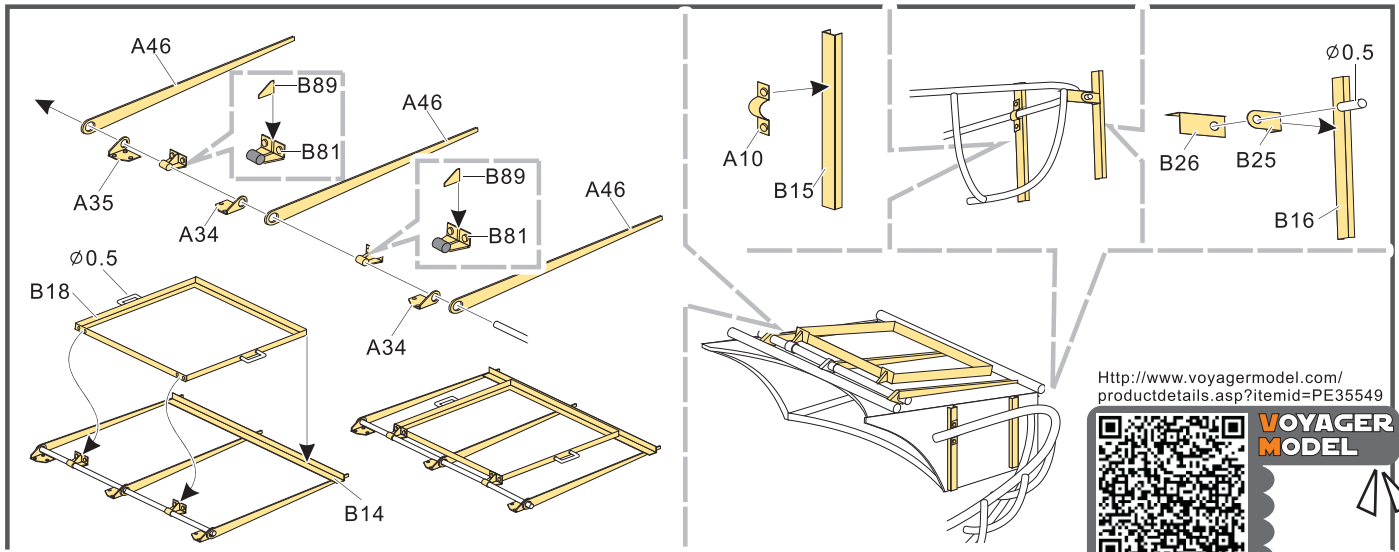
C3

e

B9

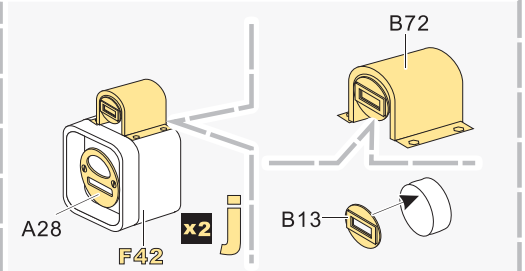
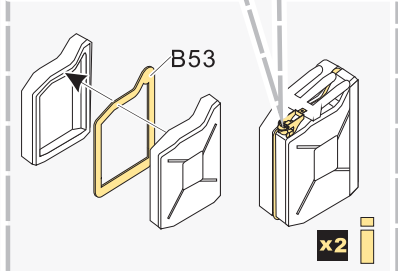
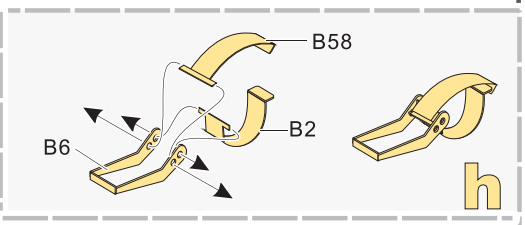
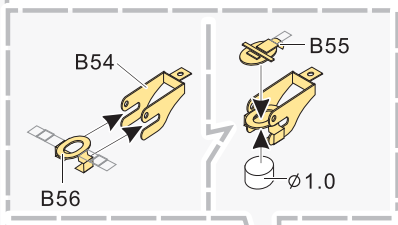
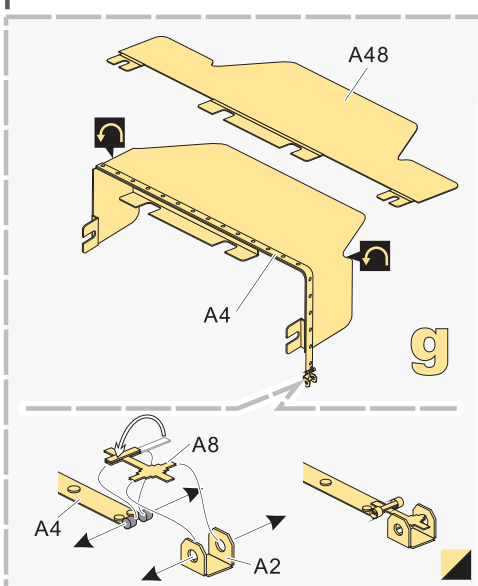
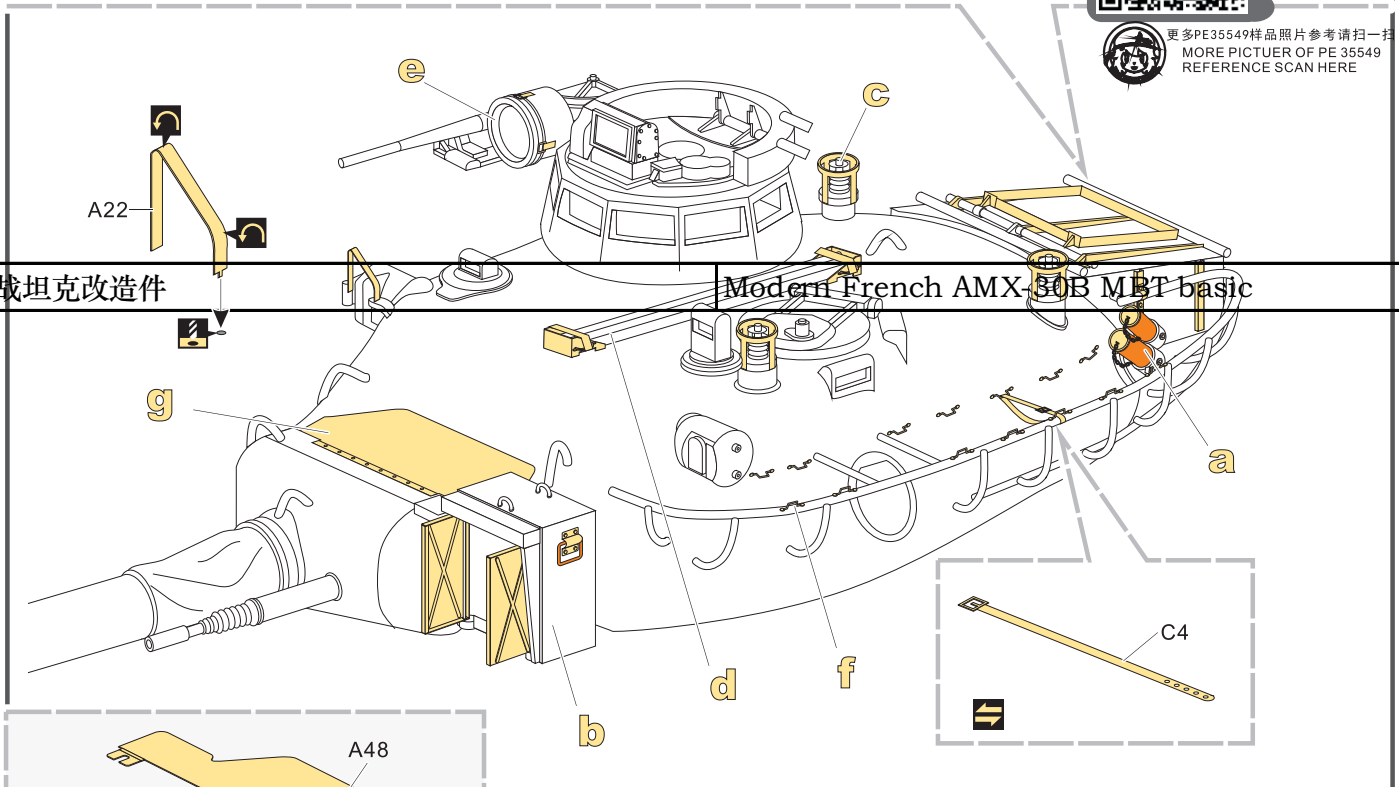
f

1/35 MILITARY MINIATURE VEHICLE UPGRADE SERIES PE35549

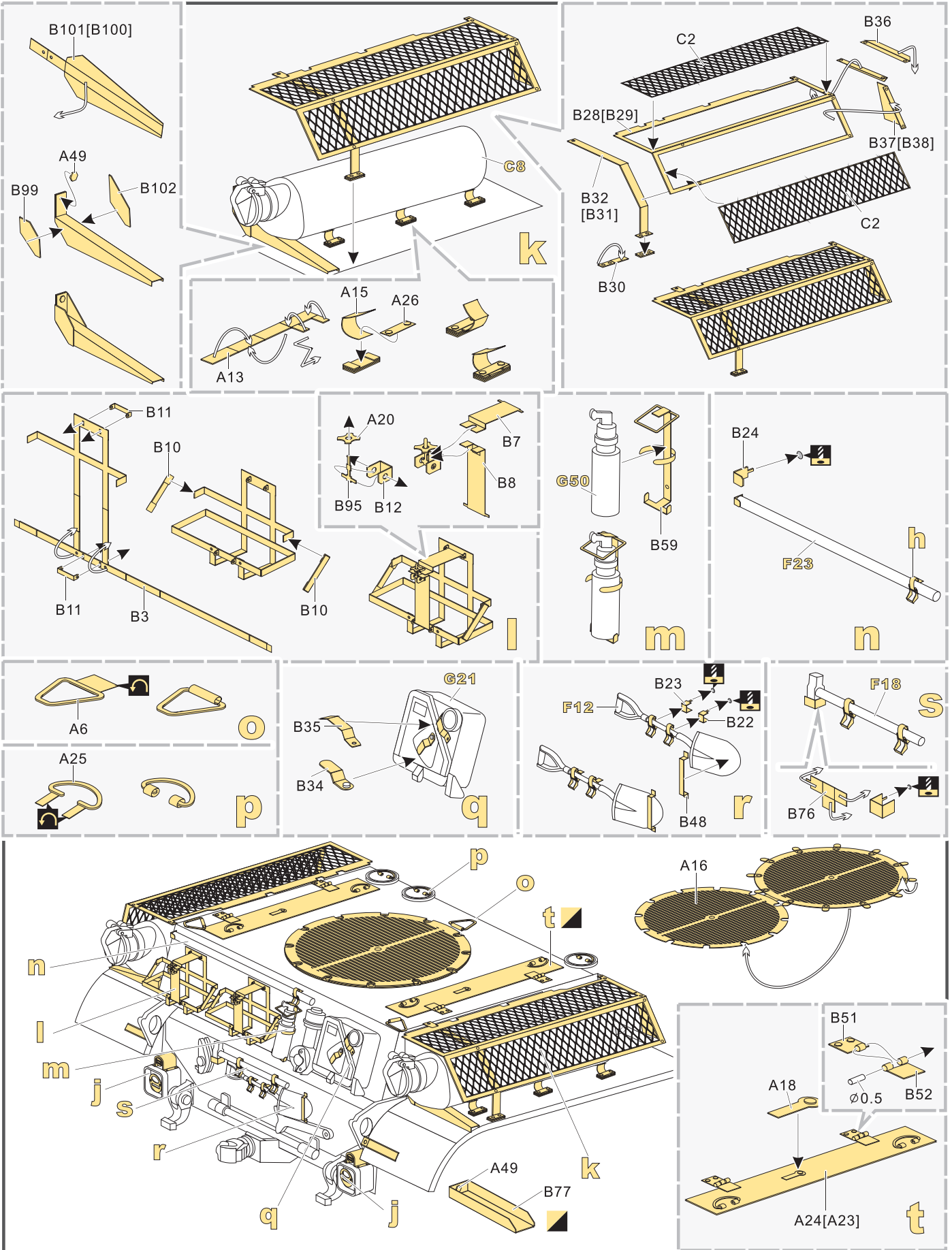


30B主战坦克改造件

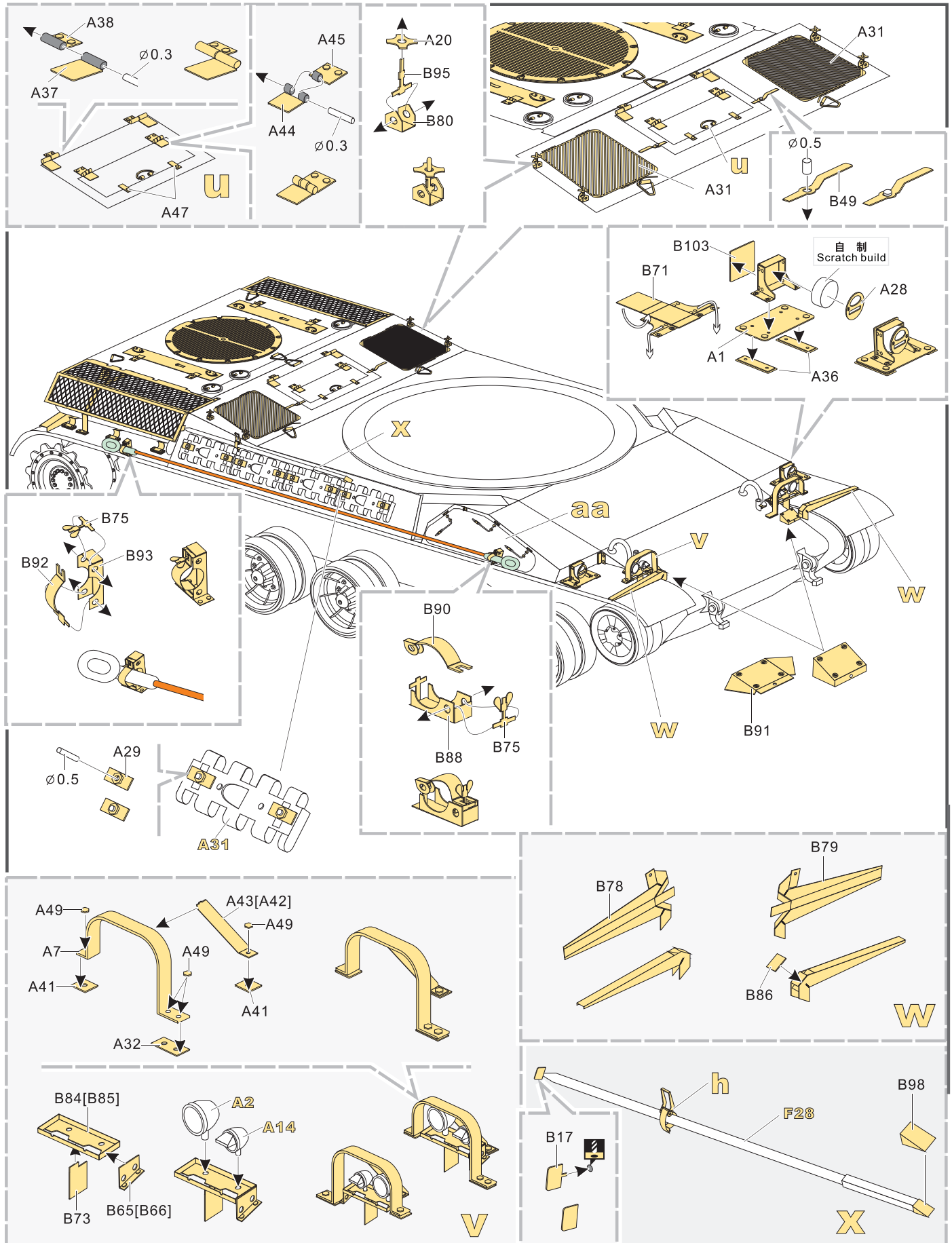
Modern French AMX-30B MBT basic



1/35 MILITARY MINIATURE VEHICLE UPGRADE SERIES PE35549



1/35 MILITARY MINIATURE VEHICLE UPGRADE SERIES PE35549



1/35 MILITARY MINIATURE VEHICLE UPGRADE SERIES PE35549

