

# F/A-18 D

ATARS



## F/A-18D ATARS

F/A-18 is a twin-engine, supersonic, all-weather, carrier-capable, multi-role combat jet, designed as both a fighter and attack aircraft.

F/A-18D is the two-seat variant. The D-model can be configured for training or as an all-weather strike craft. The "miss-ionized" D model's rear seat is configured for a Marine Corps Naval Flight Officer who functions as a Weapons and Sensors Officer to assist in operating the weapons systems. The F/A-18D is primarily operated by the U.S. Marine Corps in the night attack and Forward Air Controller (Airborne) roles.

Advanced Tactical Airborne Reconnaissance System (ATARS) is a system for image acquisition, data storage, and data link used by the United States Marine Corps on its F/A-18D Hornet aircraft. It consists of the Advanced Tactical Airborne Reconnaissance System (ATARS) with infrared and visible light sensors, two digital tape recorders, and a Reconnaissance Management System (RMS); an interface with the APG-73 Radar Upgrade (Phase II) which records synthetic aperture radar (SAR) imagery; and a digital data link mounted in a center-line pod. ATARS fits in the nose in place of the nose gun, with a small data-link pod mounted on the center-line station. The digital data link will transmit imagery and auxiliary data to any Common Imaging Ground/Surface Station (CIG/SS) compatible system including the Joint Services Imagery Processing System (JSIPS) or Marine Tactical Exploitation Group (TEG) based ashore and Navy JSIPS (JSIPS-N) aboard ship.

Each of the four U.S. Marine Corps F/A-18D squadrons have three ATARS aircraft, giving a total of 12 ATARS equipped aircraft altogether. The first operational use of ATARS equipped aircraft occurred in February 2000 when MCAS Beaufort based VMFA(AW)-332 deployed to Hungary in Operation Allied Force.

### CAUTION

- \*Read carefully and fully understand the instructions before commencing assembly.
- \*Keep out of reach of children. Children must not be allowed to put any parts in their mouths, or pull plastic bag over their heads.
- \*When using adhesives and paints, please make sure not to use them in closed room or near the fire.
- \*When assembling this kit, tools including knives are used. Extra care should be taken to avoid injury.

**WARNING: CONTAIN SMALL PARTS NOT FOR CHILDREN UNDER 14 YEARS OF AGE.**



Drill



Remove



2 Set



Bend



Optional



Decal



Super Glue



Fill Hole



No Cement



Be Careful

### TOOLS RECOMMENDED

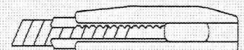
Cement



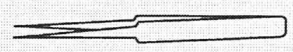
Side Cutter

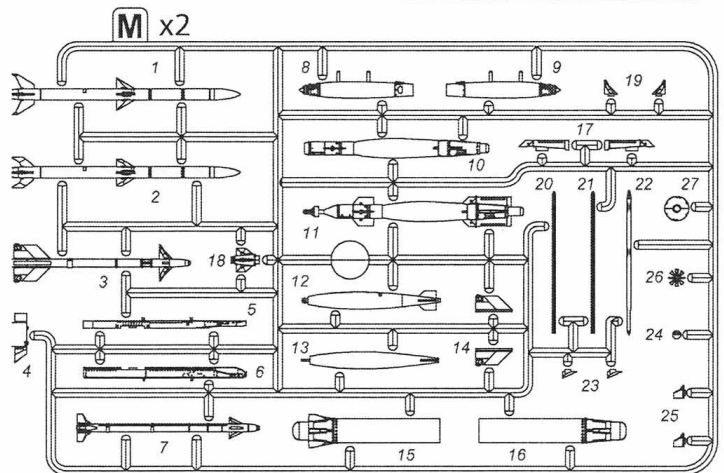
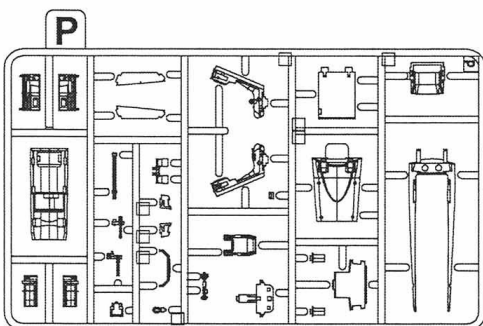
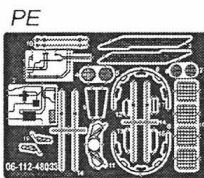
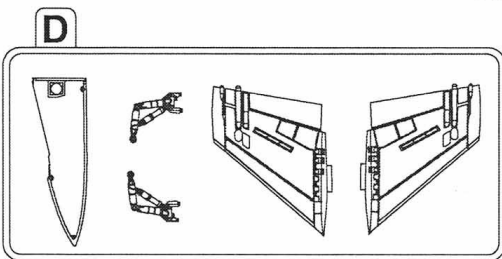
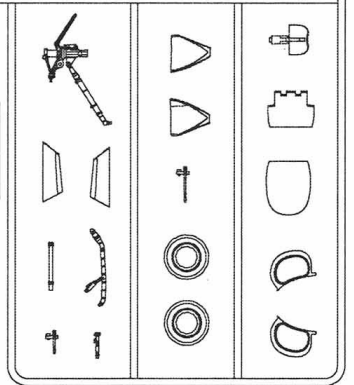
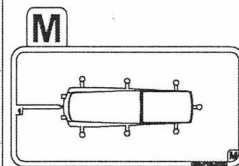
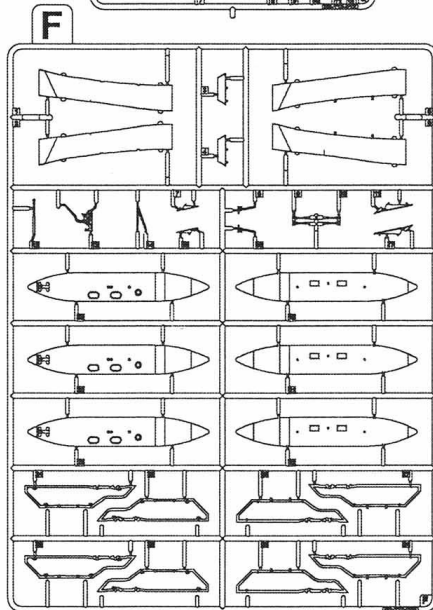
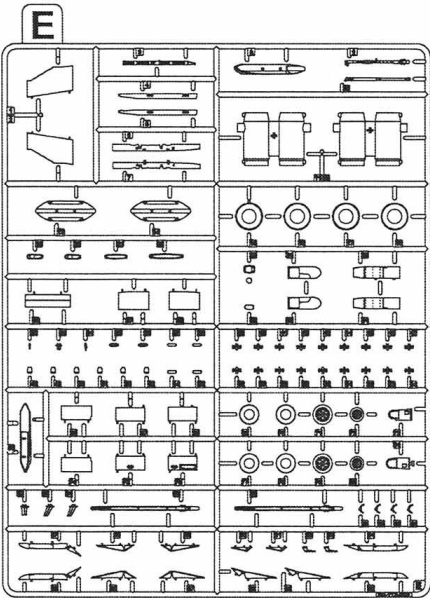
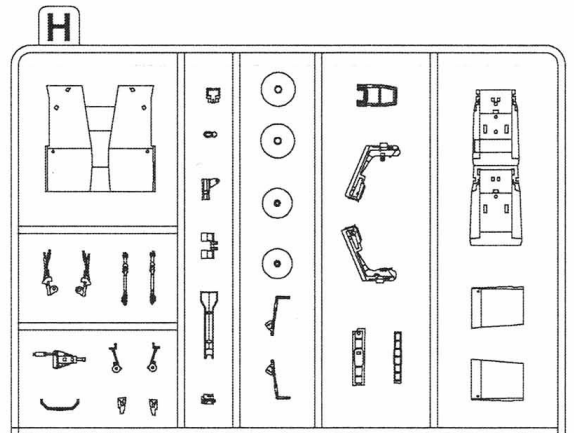
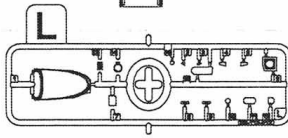
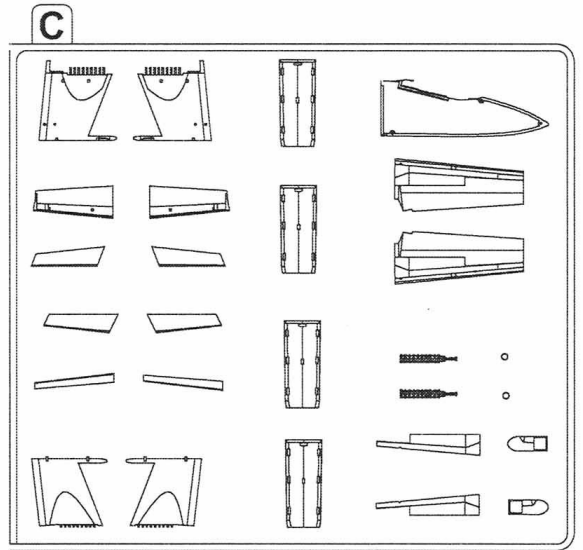
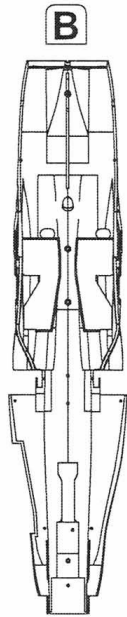
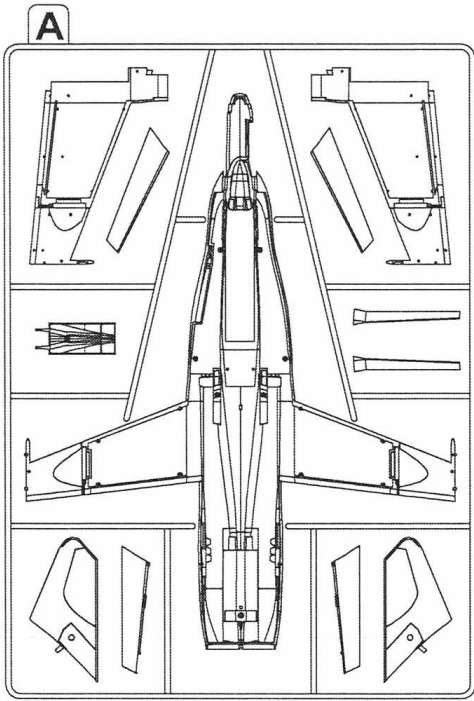


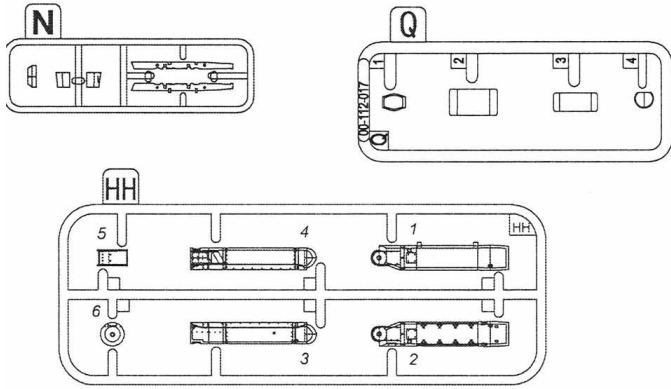
Modeling Knife



Tweezers







**AFTERMARKET SERVICES CARD**

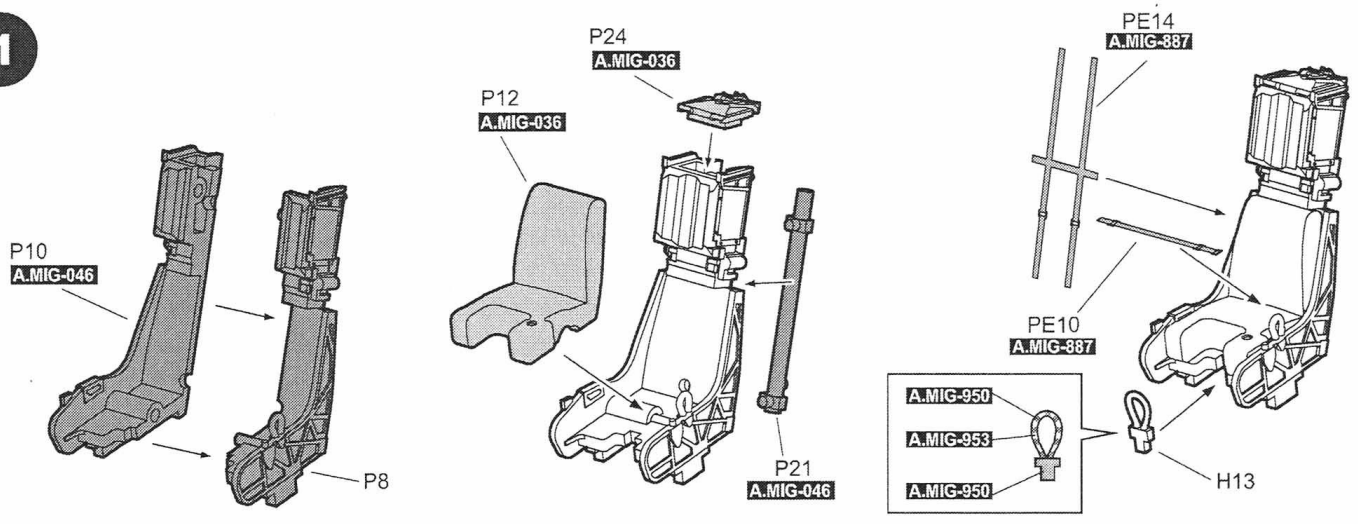
When requesting replacement parts, please take or send this form to your local dealer so that the parts required can be correctly identified. Please note that specifications and availability are subject to change without notice.

or visit <http://www.kineticmodel.com> for latest information.

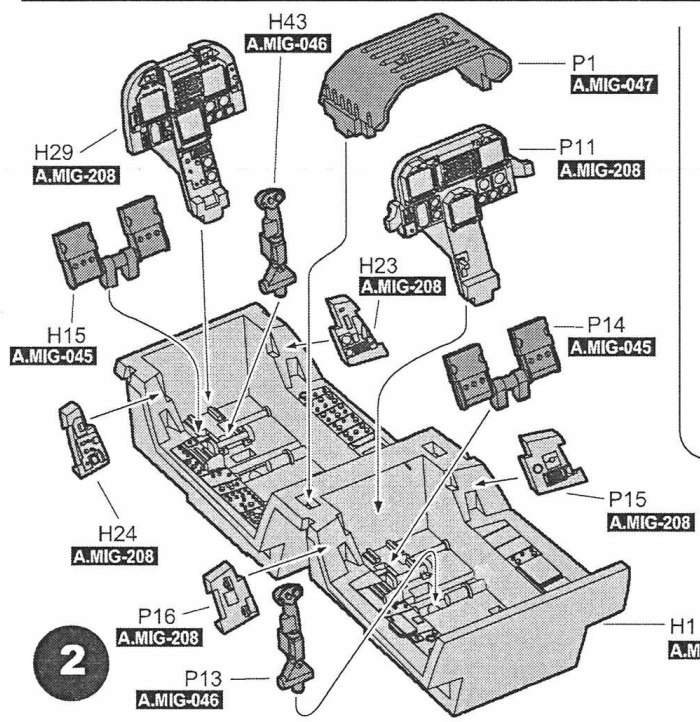
For more information, please contact [services@kineticmodel.com](mailto:services@kineticmodel.com)

Part Code	K48033	Item	Qty
00-100-021	WEAPON SET (AIM-9x,9M,120B/C,GBU-12) PARTS M	M	2
00-100-031	Aaq-13/aaq-14 Parts HH	HH	1
00-112-001	1/48 F/A-18 UPPER FUESLAGE A	A	1
00-112-002	1/48 F/A-18 LOWER FUESLAGE B	B	1
00-112-003	1/48 F/A-18 FLAPS C	C	1
00-112-004	1/48 F/A-18 C/D VERTICAL TAIL D	D	1
00-112-005	1/48 F/A-18 WHEEL, PYLONS E	E	1
00-112-006	1/48 F/A-18 FUEL TANKS, PYLON F	F	1
00-112-008	1/48 F/A-18 COCKPIT, LANDING GEAR H	H	1
00-112-012	1/48 F/A-18 COMMON CLEAR PARTS L	L	1
00-112-013	1/48 F/A-18 DOUBLE CANOPY M	M	1
00-112-014	1/48 F/A-18 A/B/C/D PYLON ANN. PART N	N	1
00-112-016	1/48 F/A-18 B/D PARTS P	P	1
00-112-017	1/48 ATARS F/A-18&J-15 CLEAR PART	Q	1
01-112-48033	1/48 F-18D		1
03-112-48033	1/48 F-18D MANUAL	MANUAL	1
06-112-48033	1/48 F/A-18A/B/C/D	PE	1

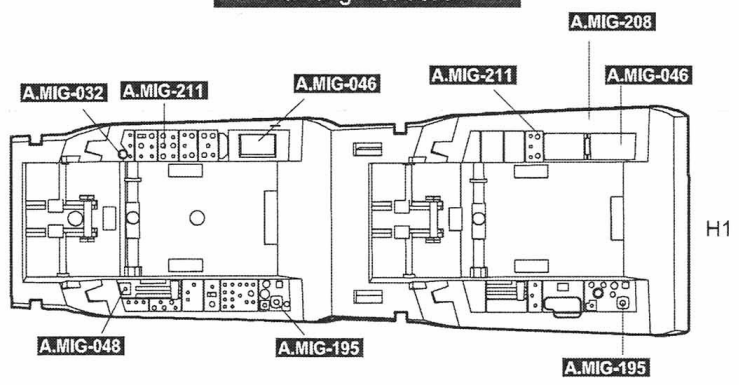
1



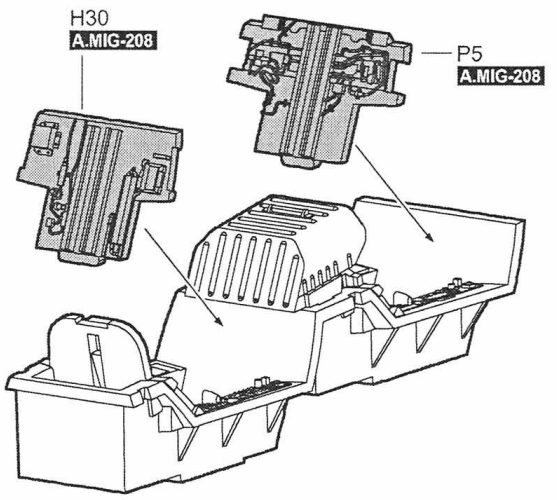
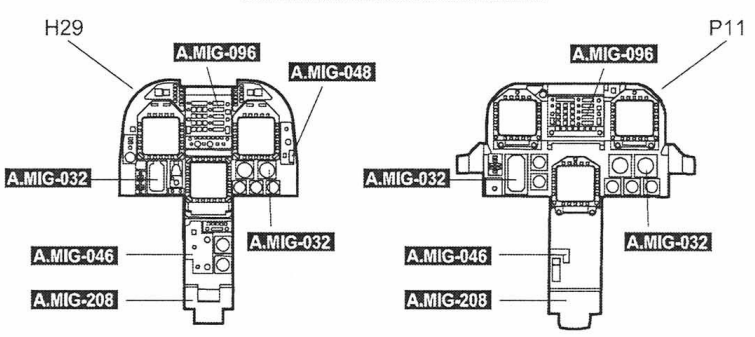
2



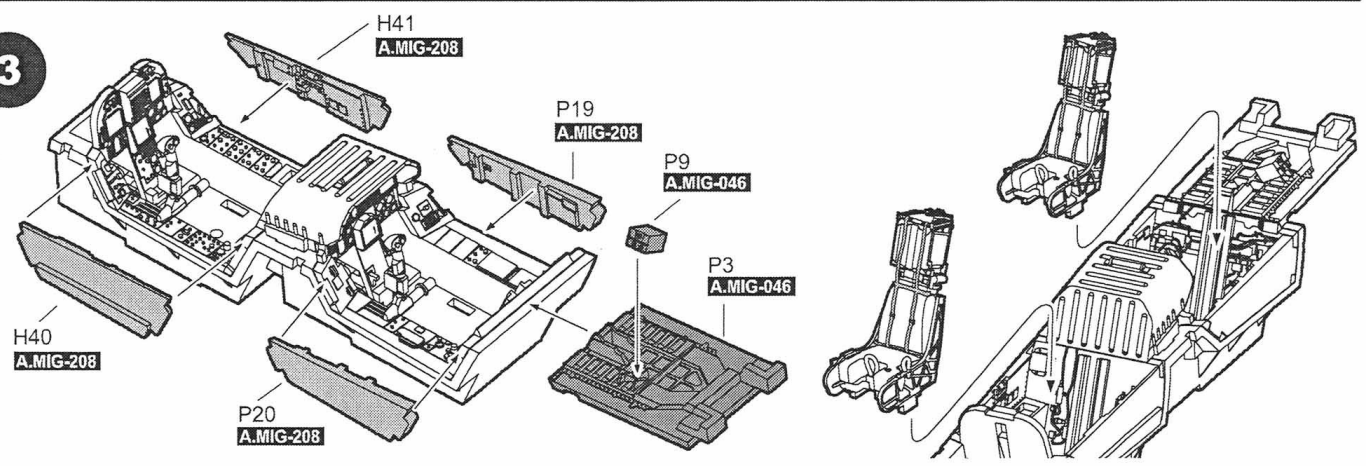
Painting Instruction



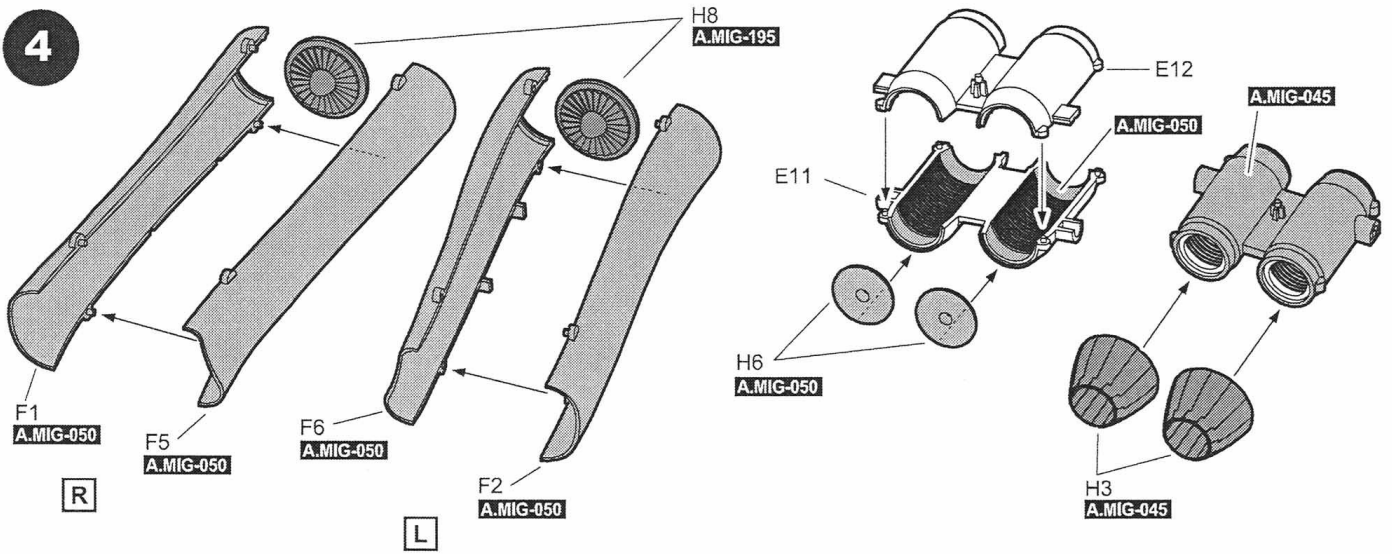
Painting Instruction



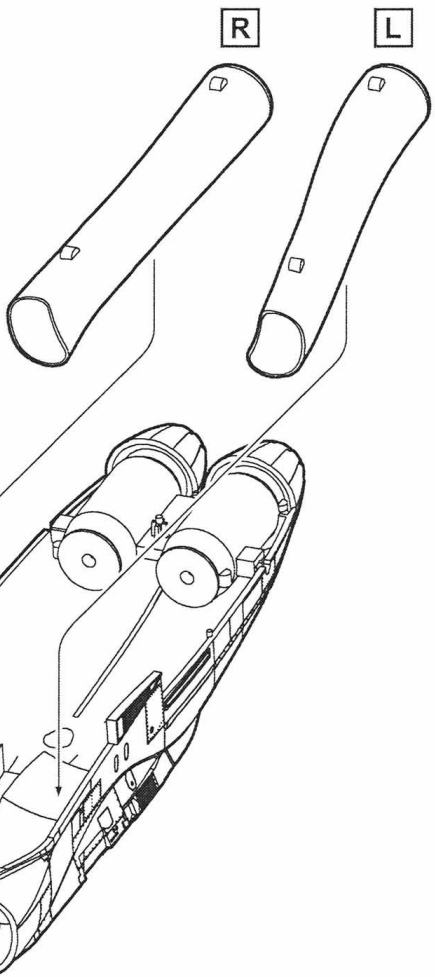
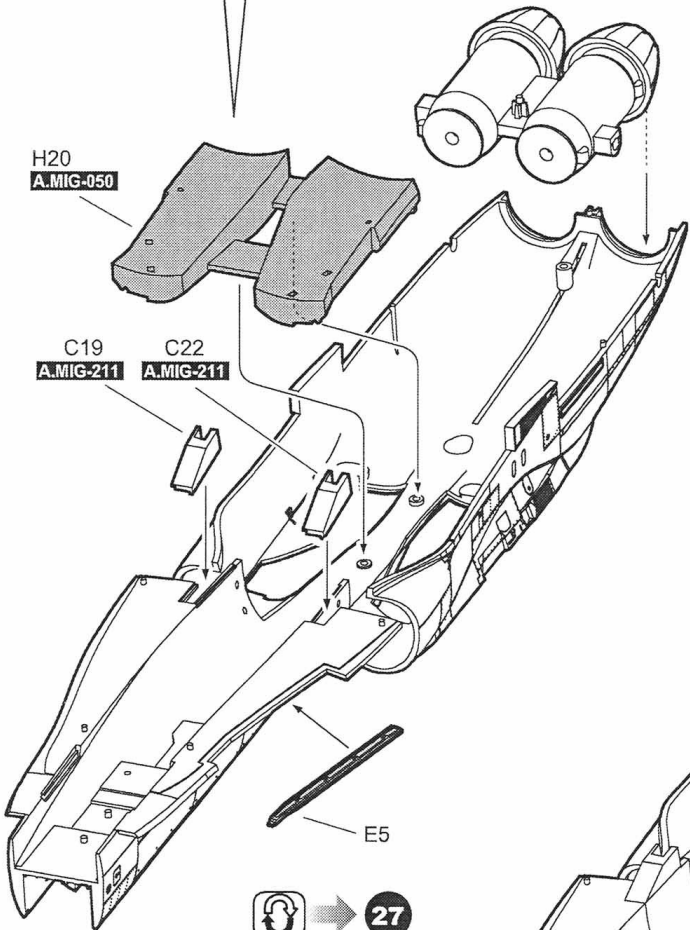
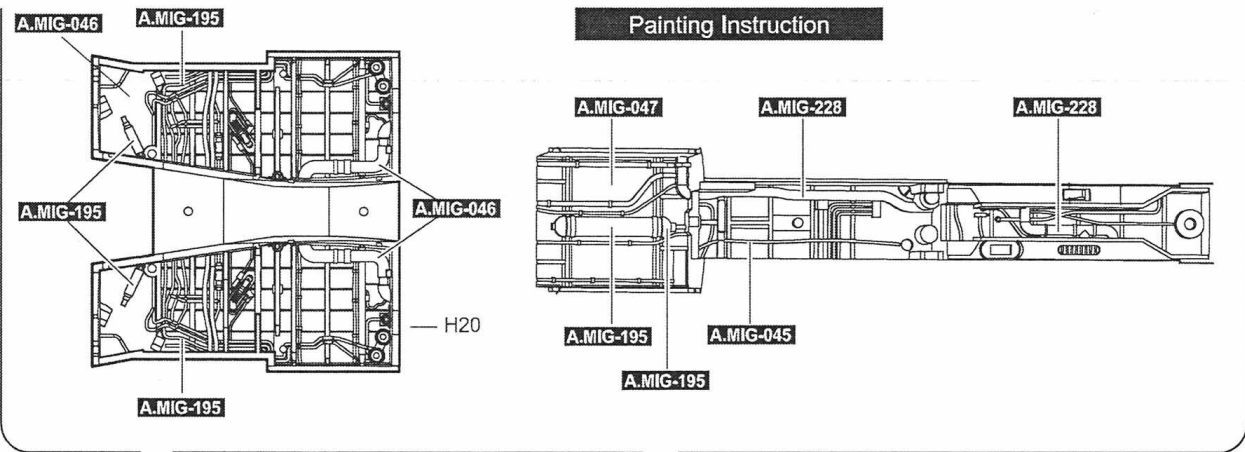
3



4



5



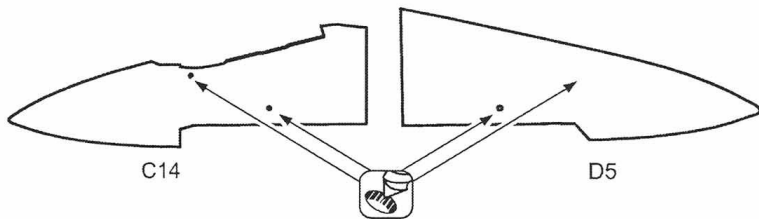
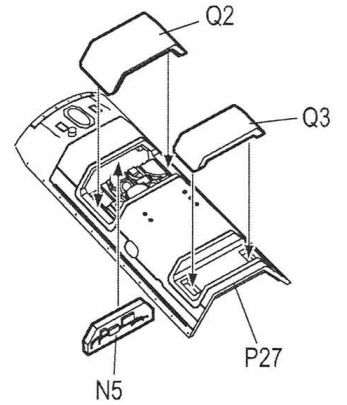
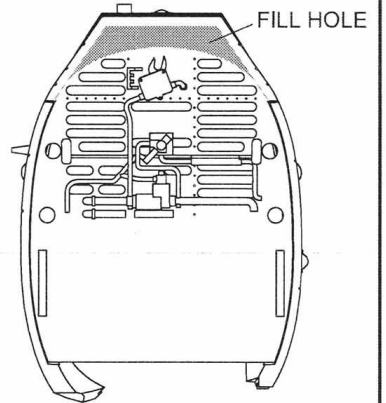
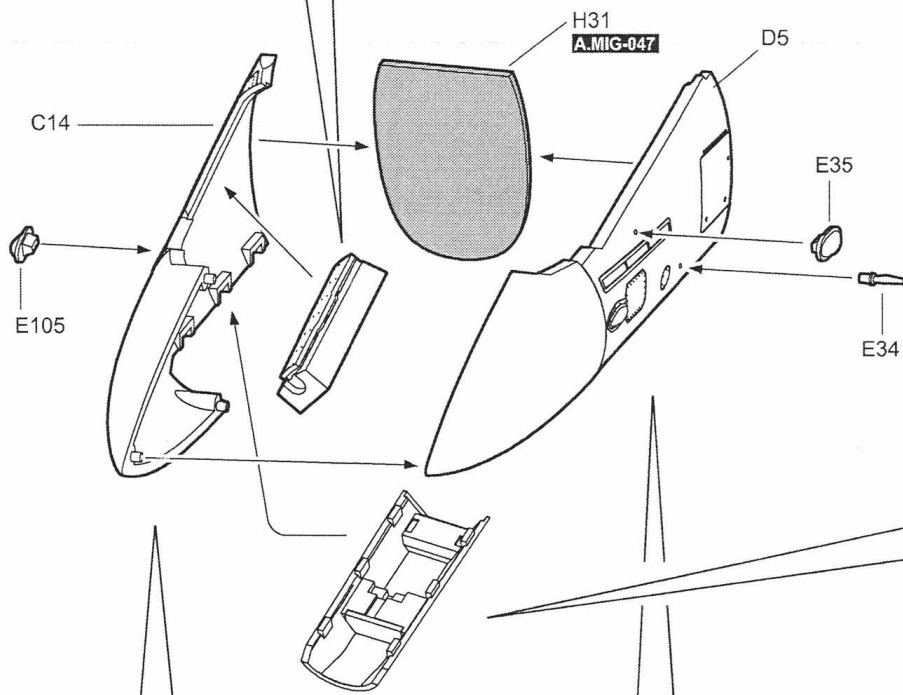
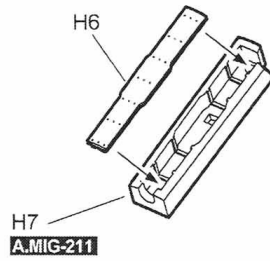
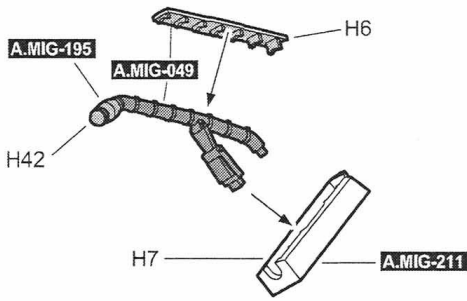
➡ 27

6

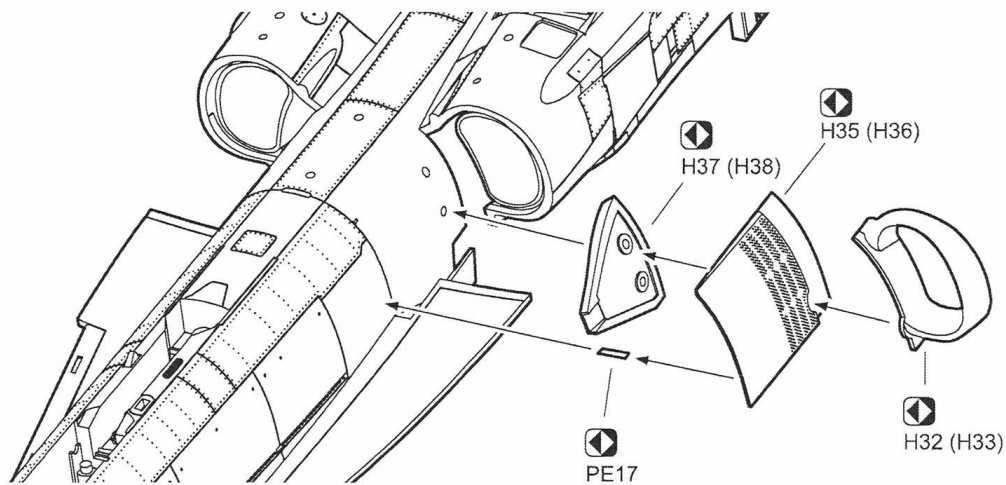
Refuelling Probe Open



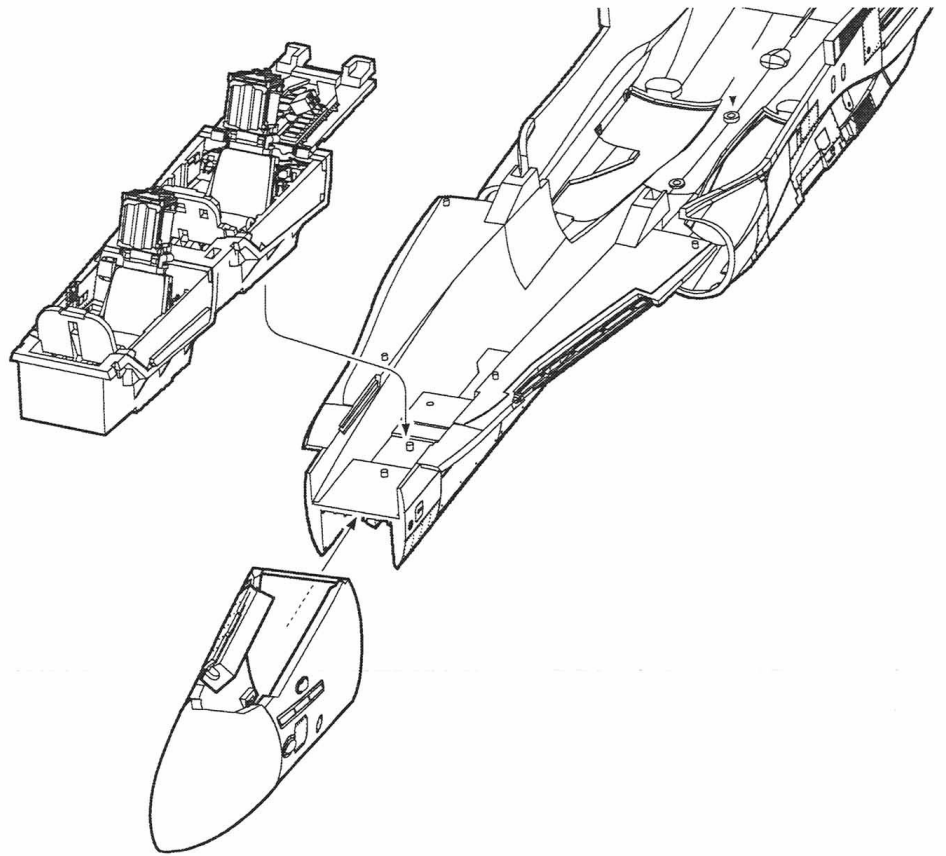
Refuelling Probe Close



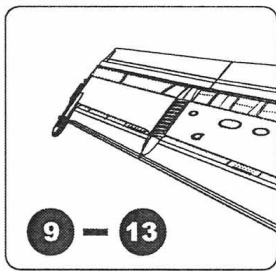
7



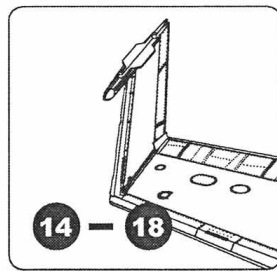
8



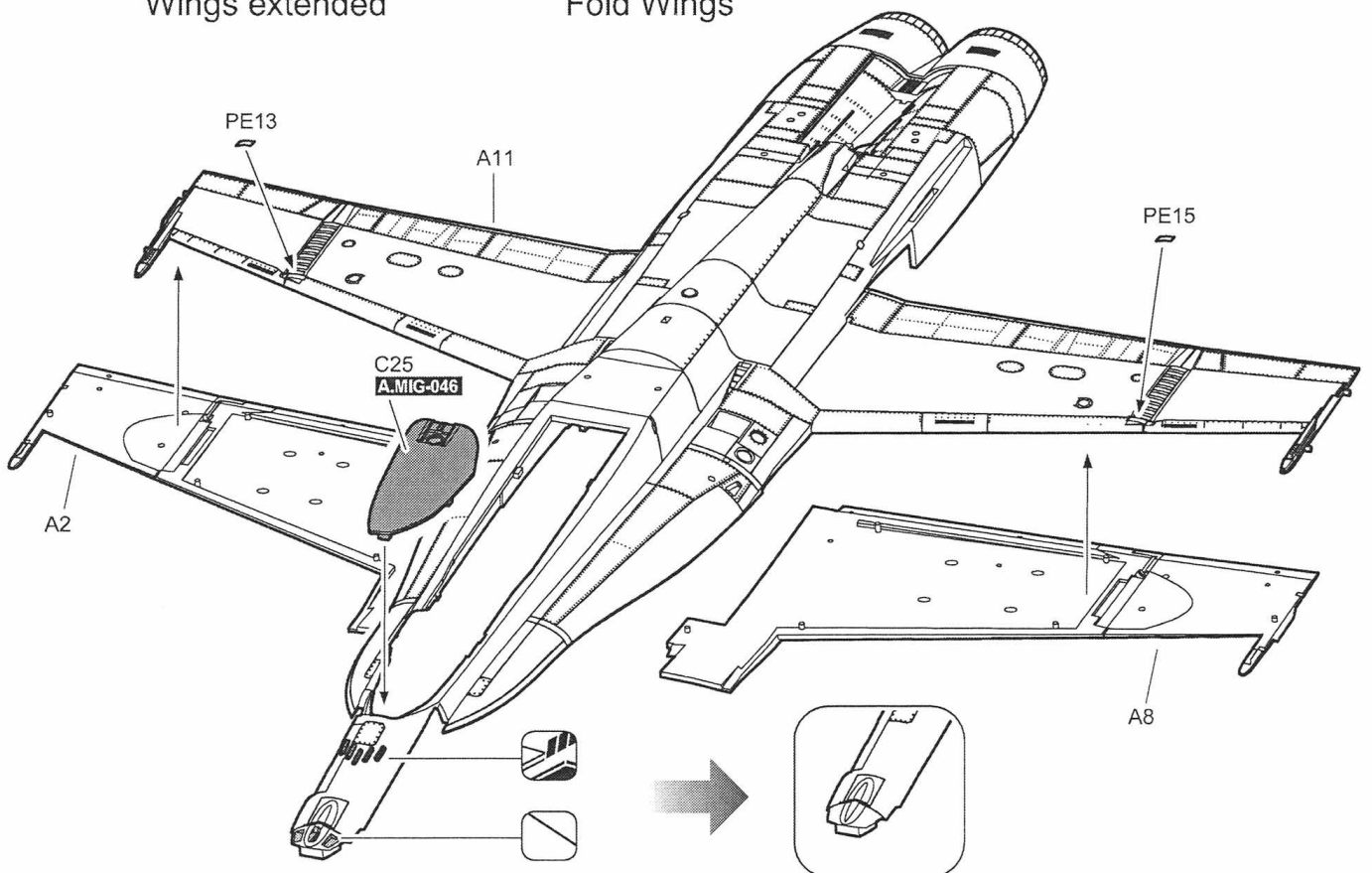
9



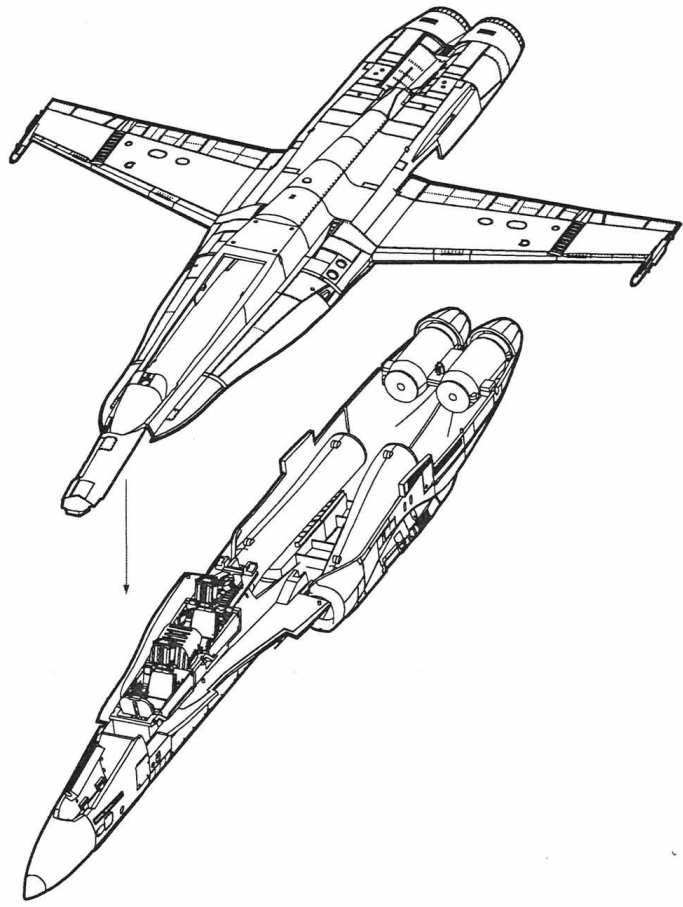
Wings extended



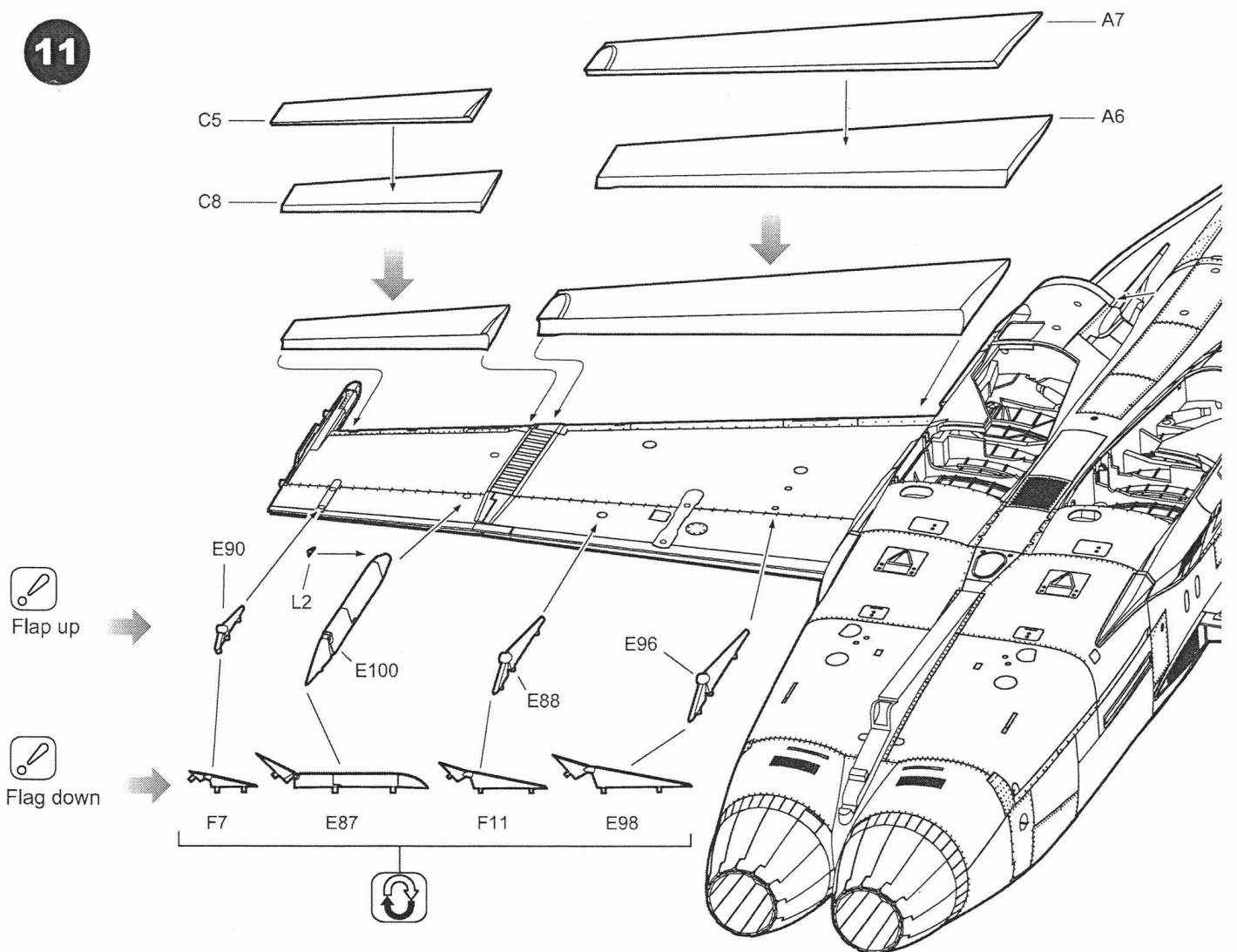
Fold Wings



10

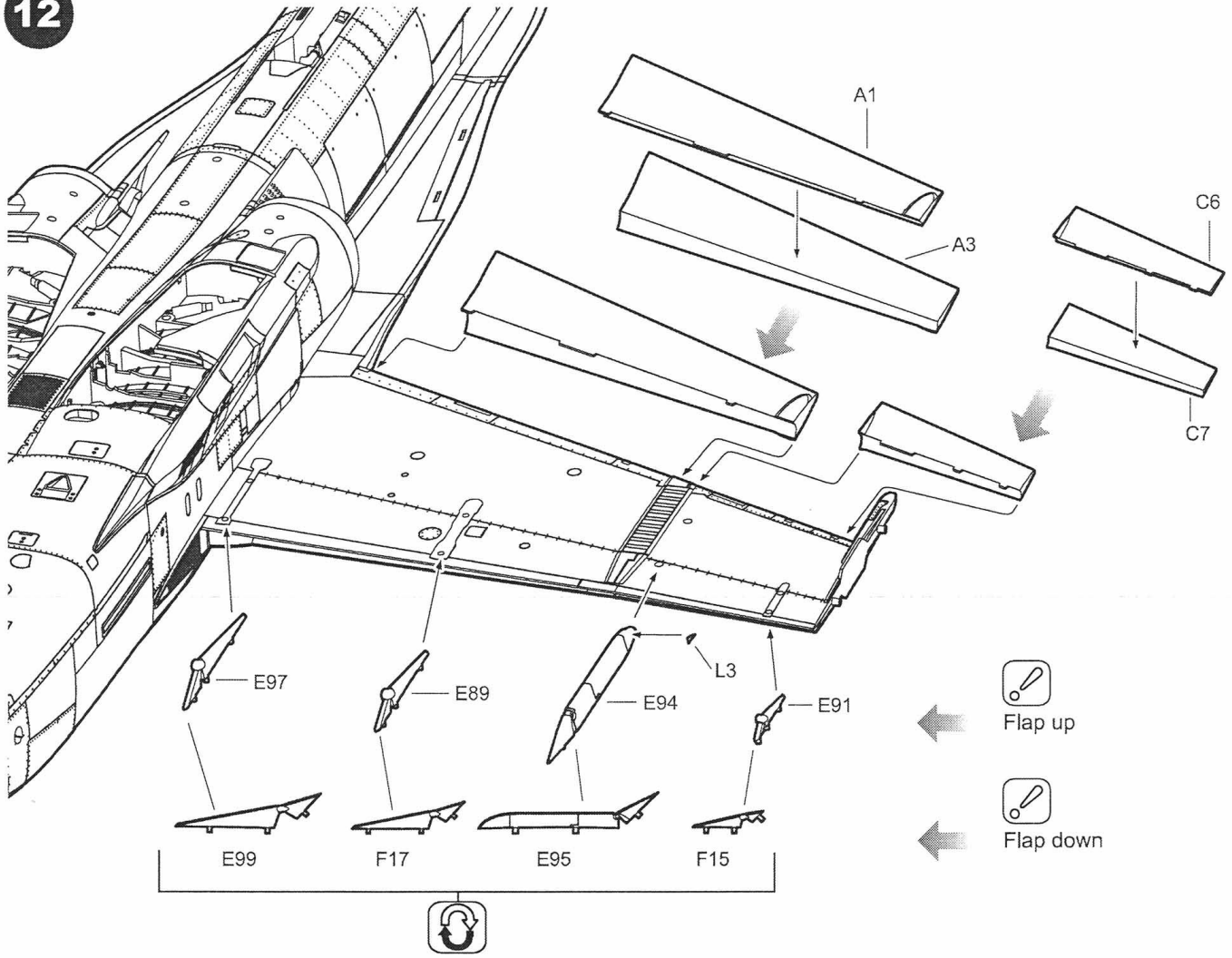


11

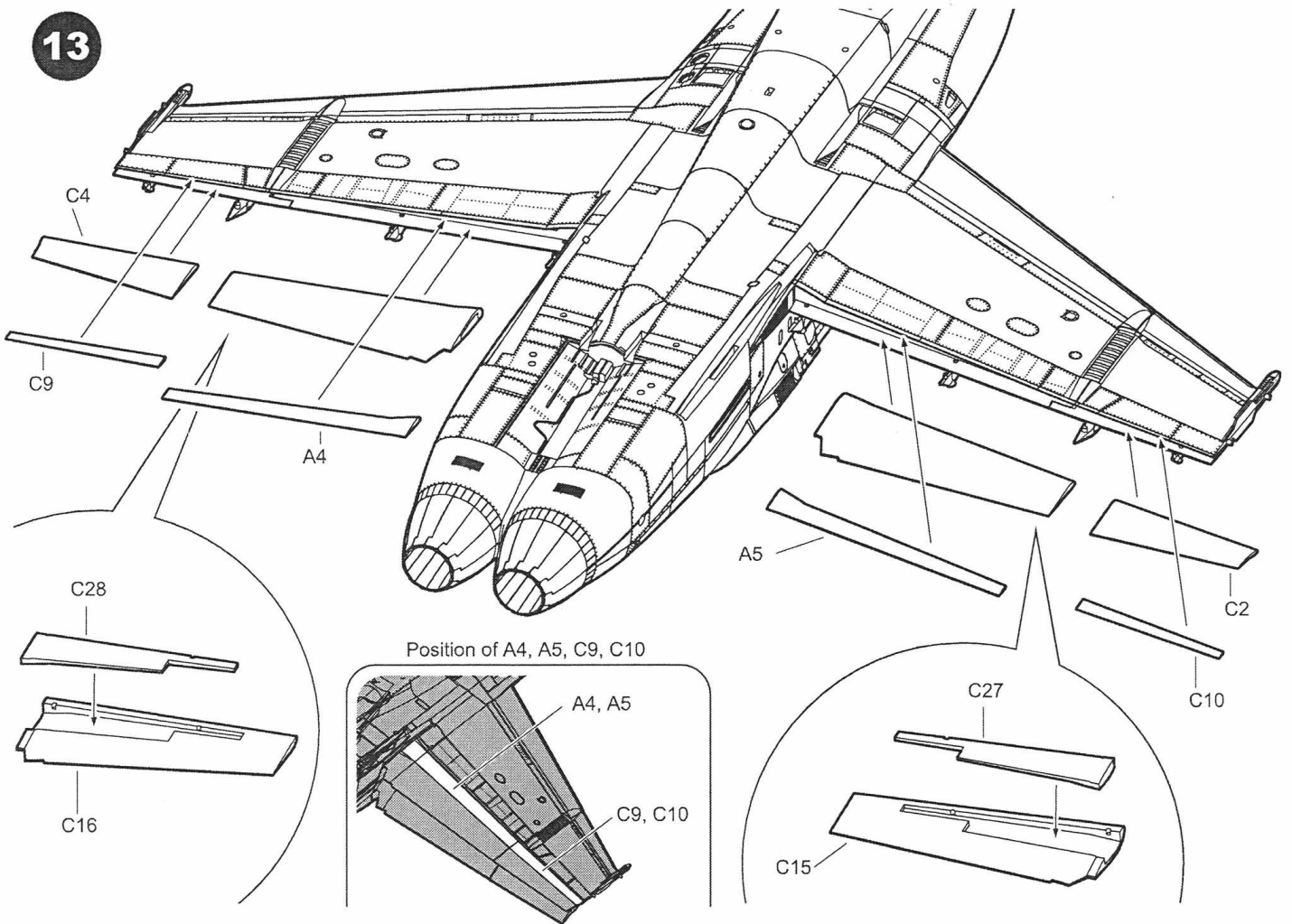




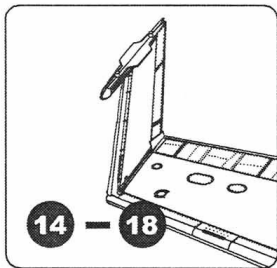
12



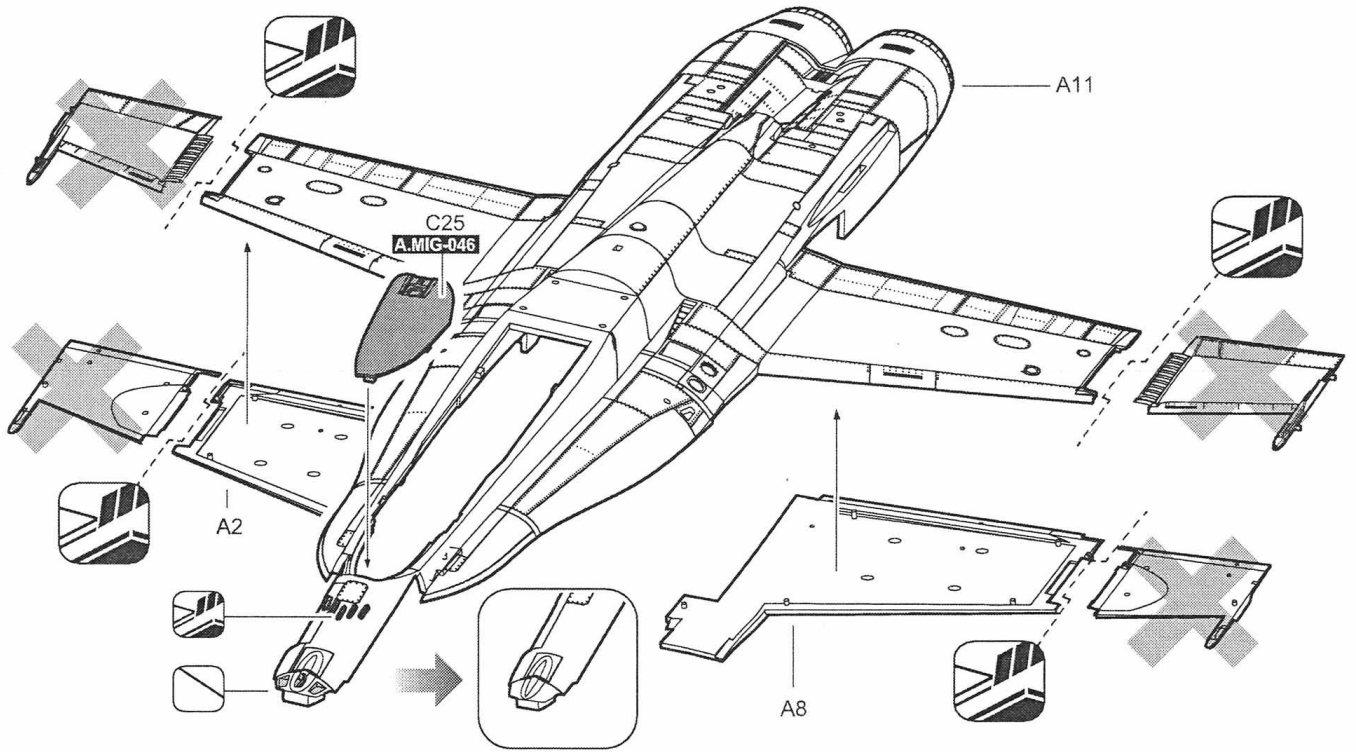
13



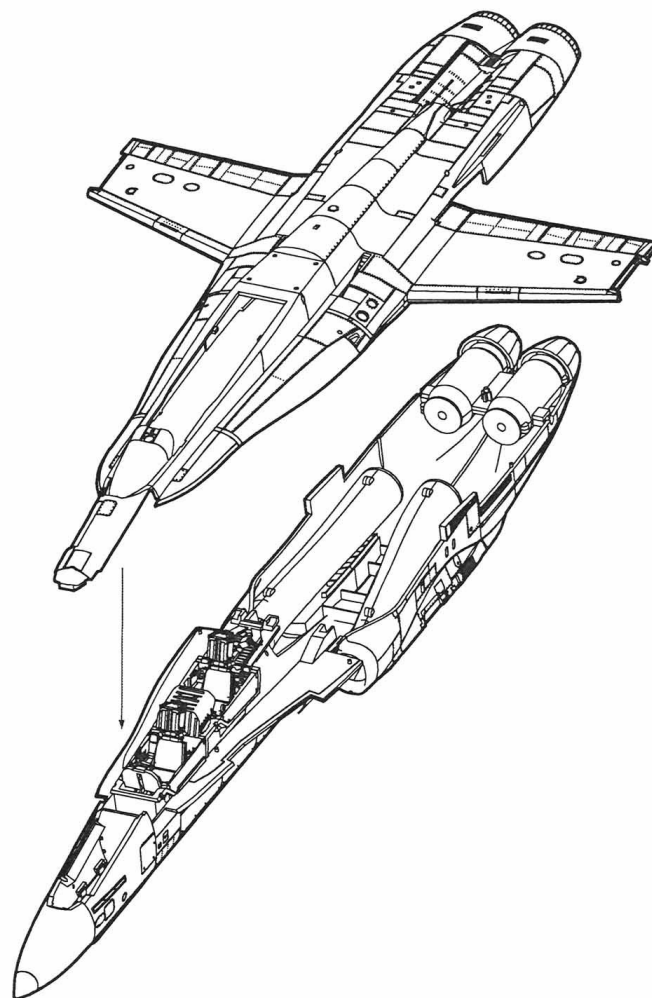
14

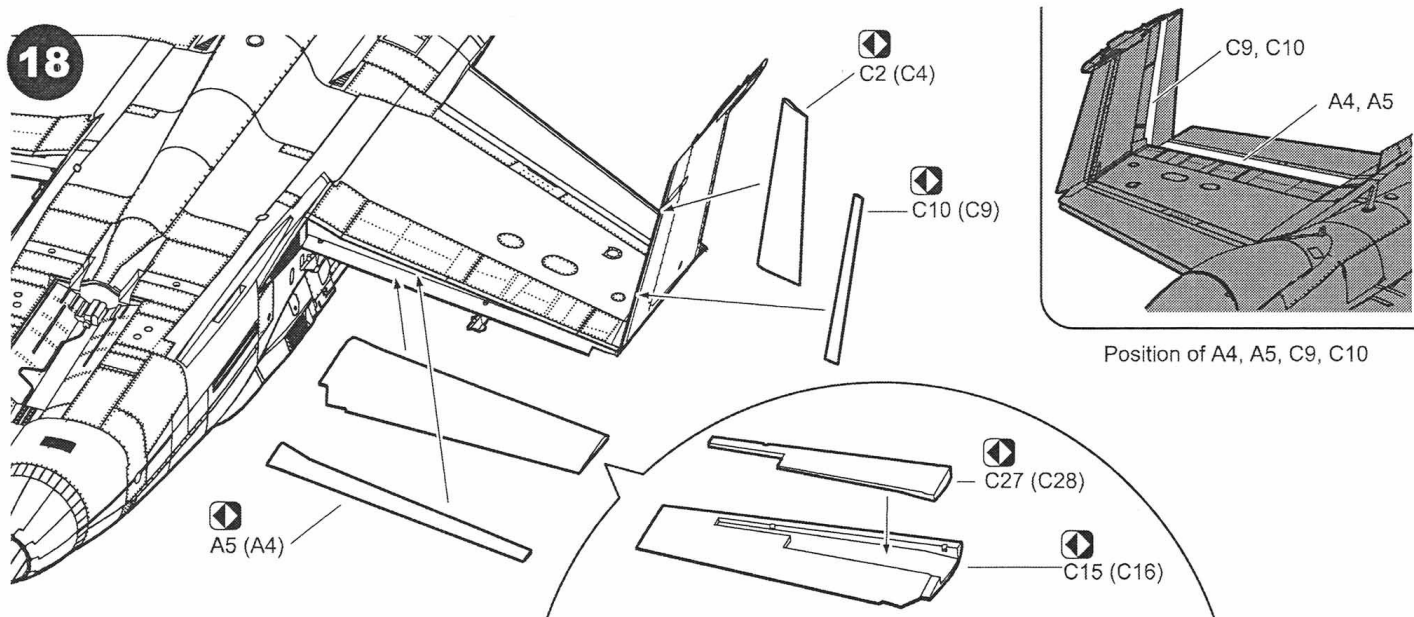
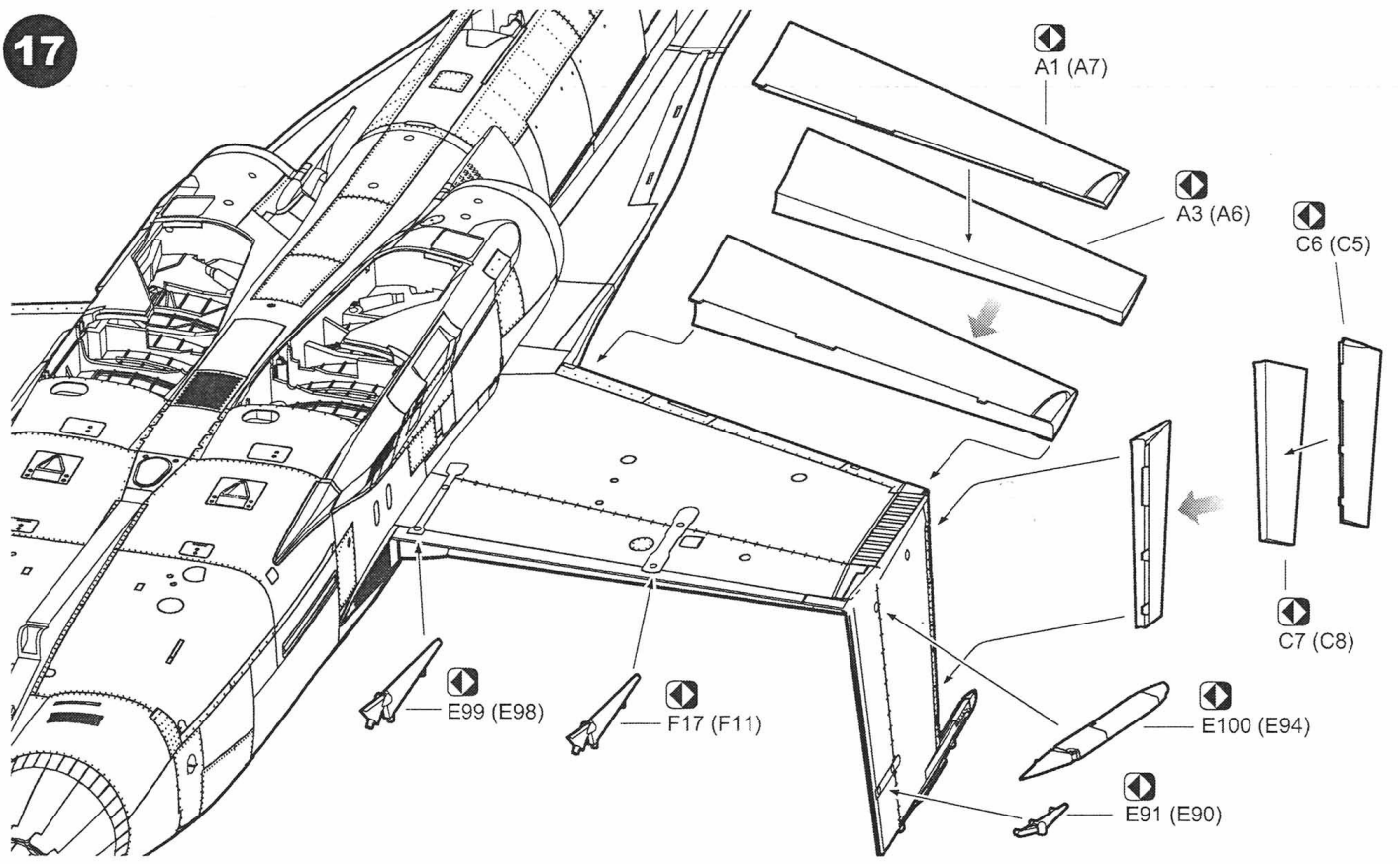
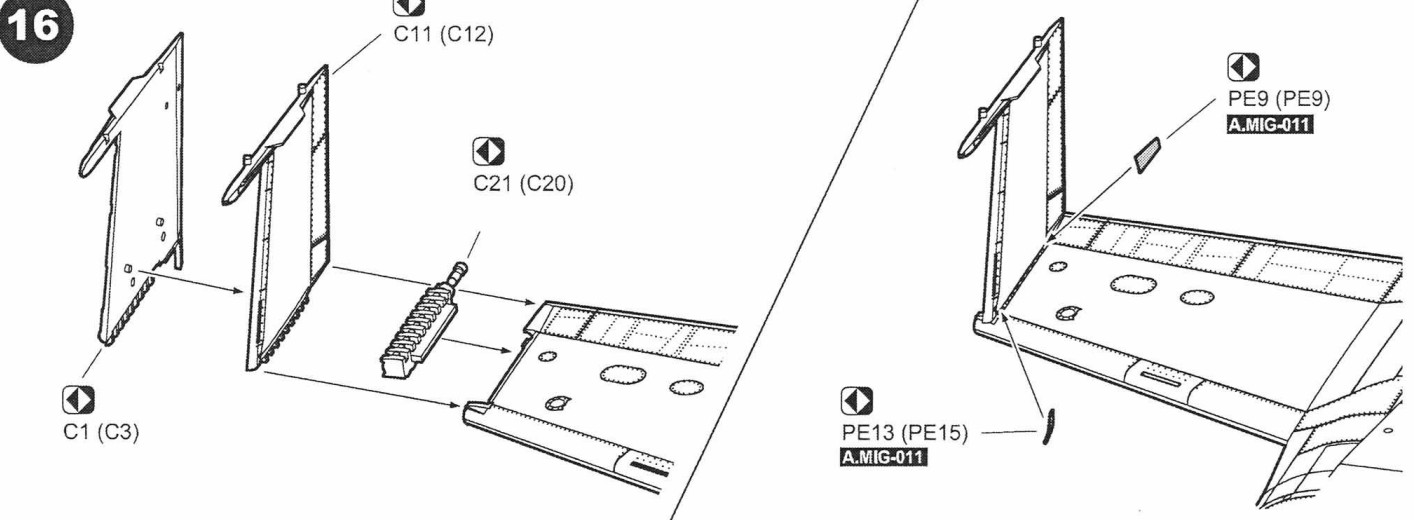


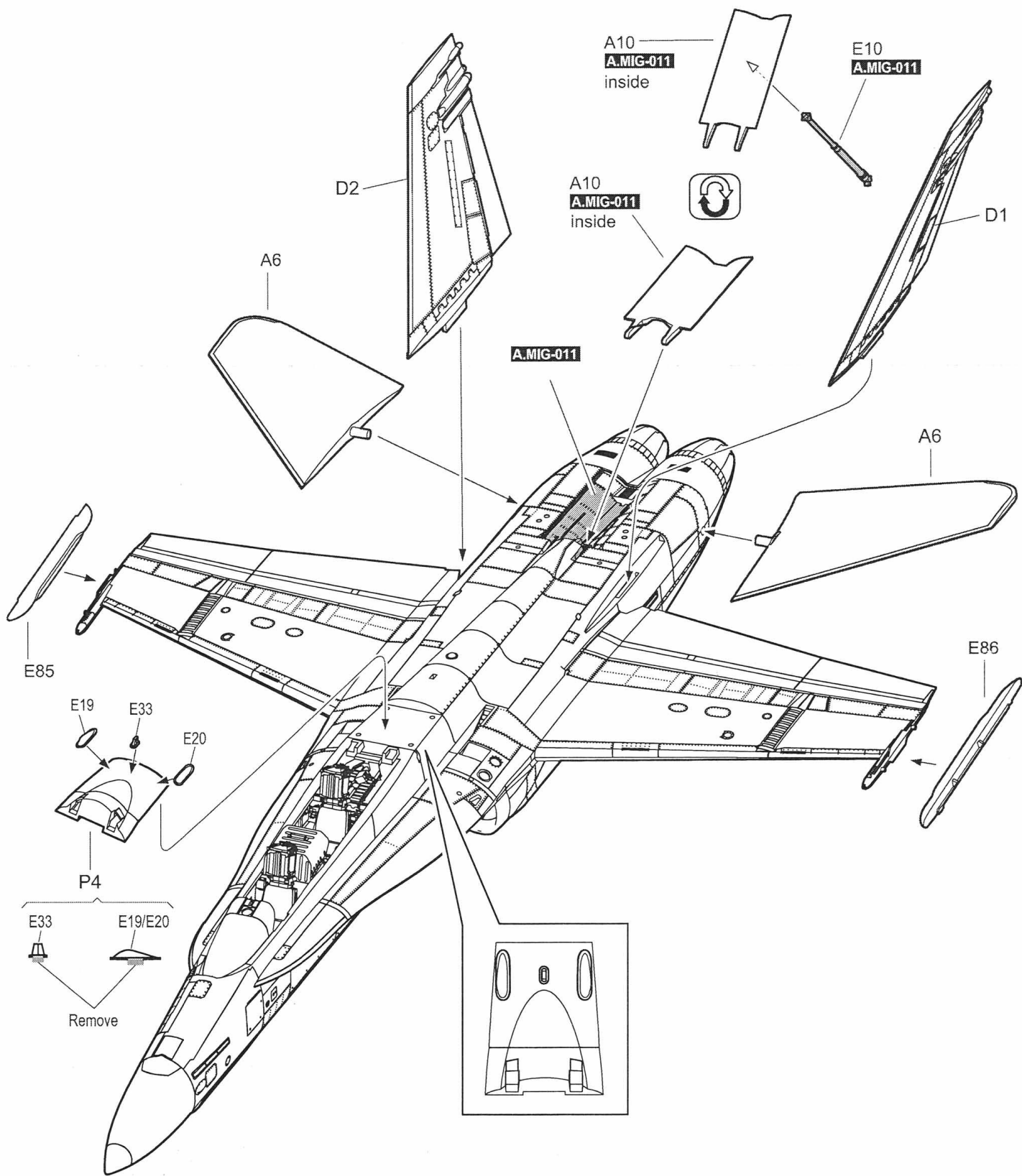
Fold Wings

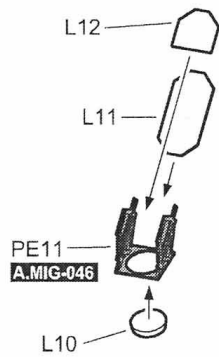
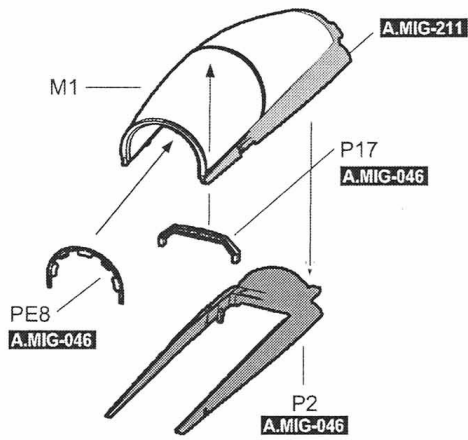


15





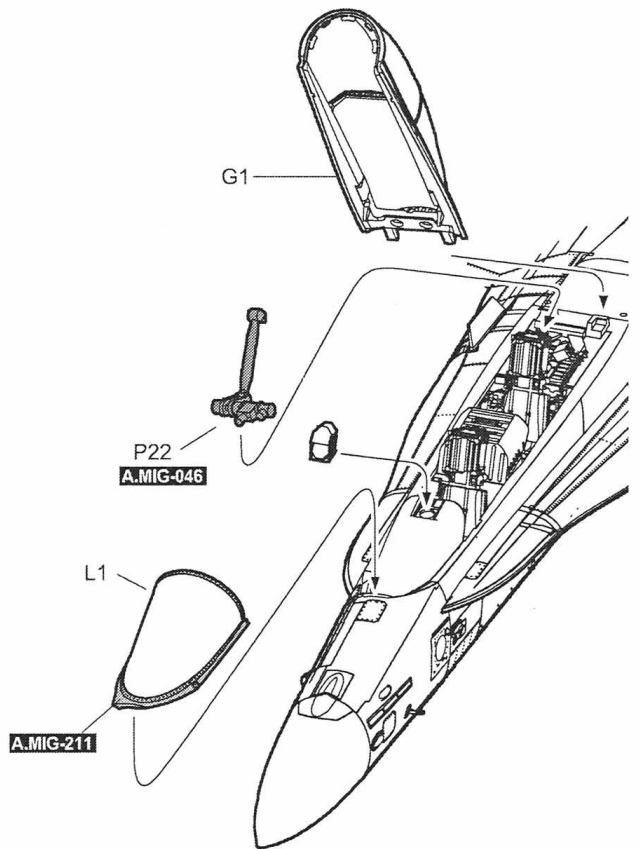
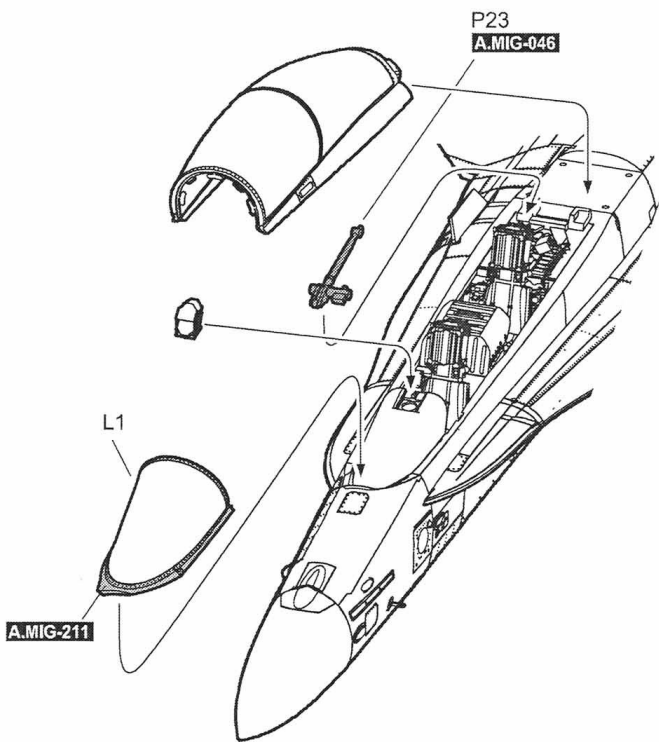




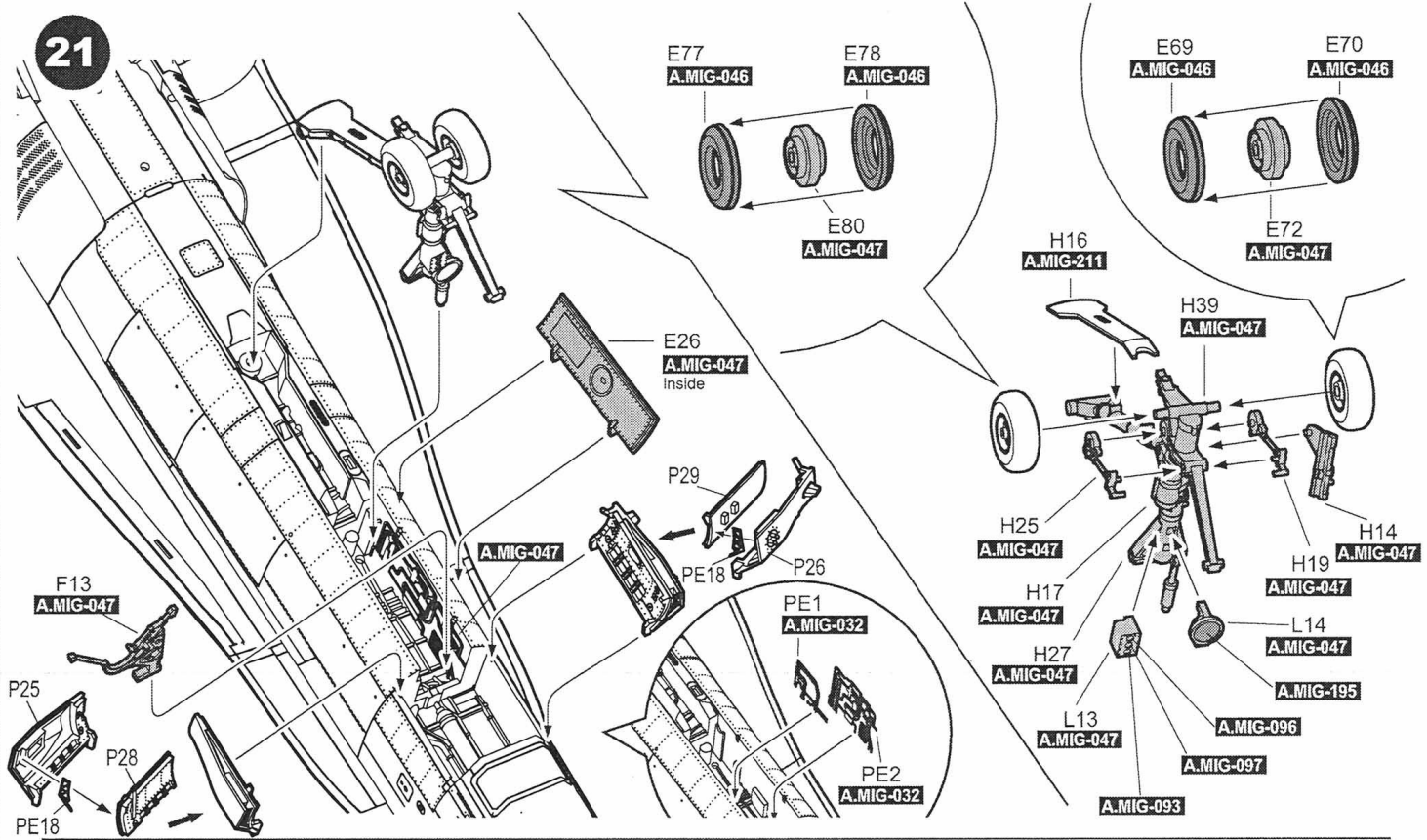
Close Canopy



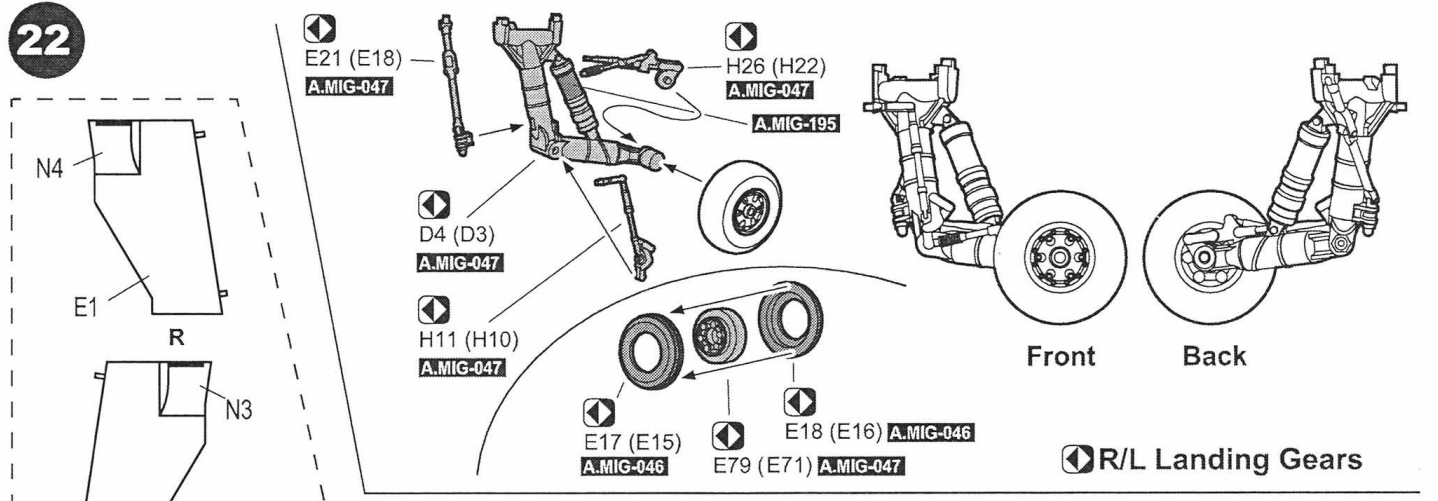
Open Canopy



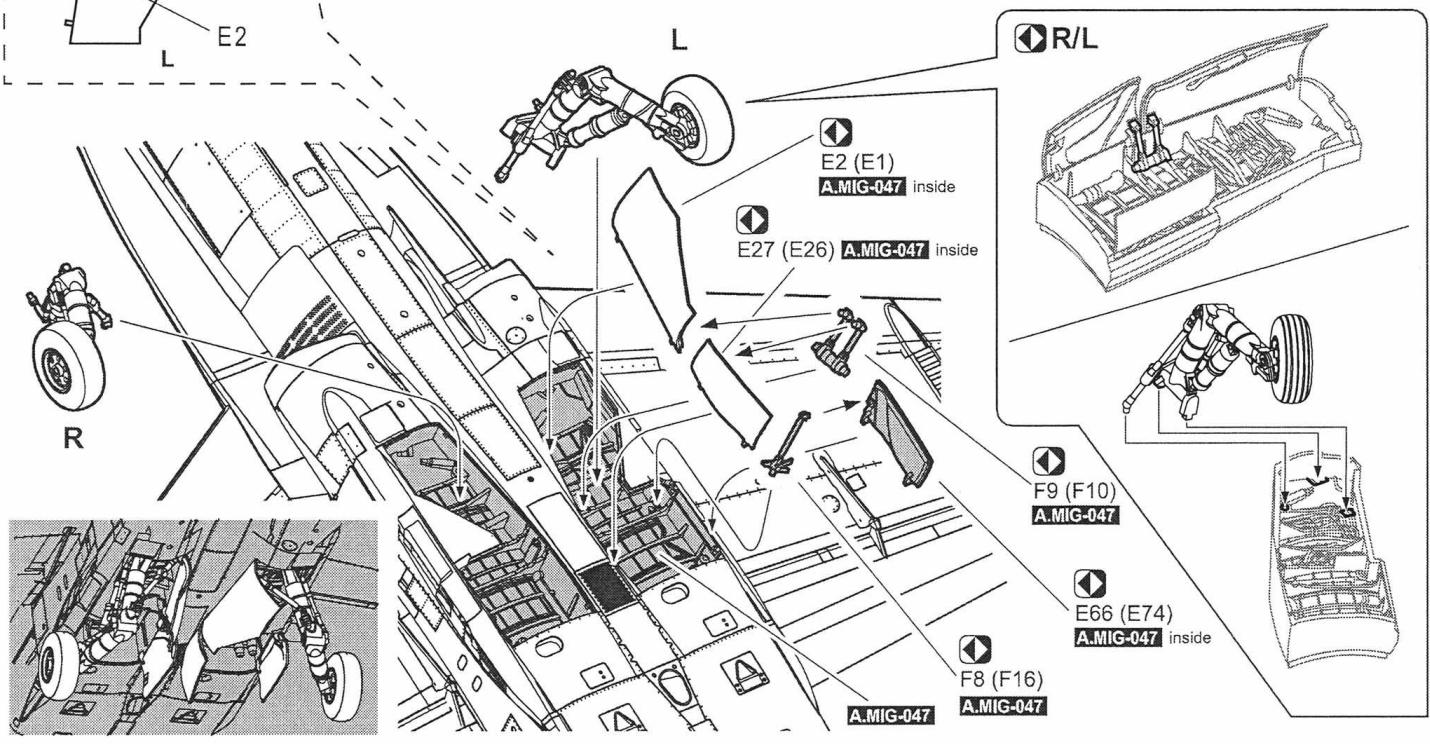
21



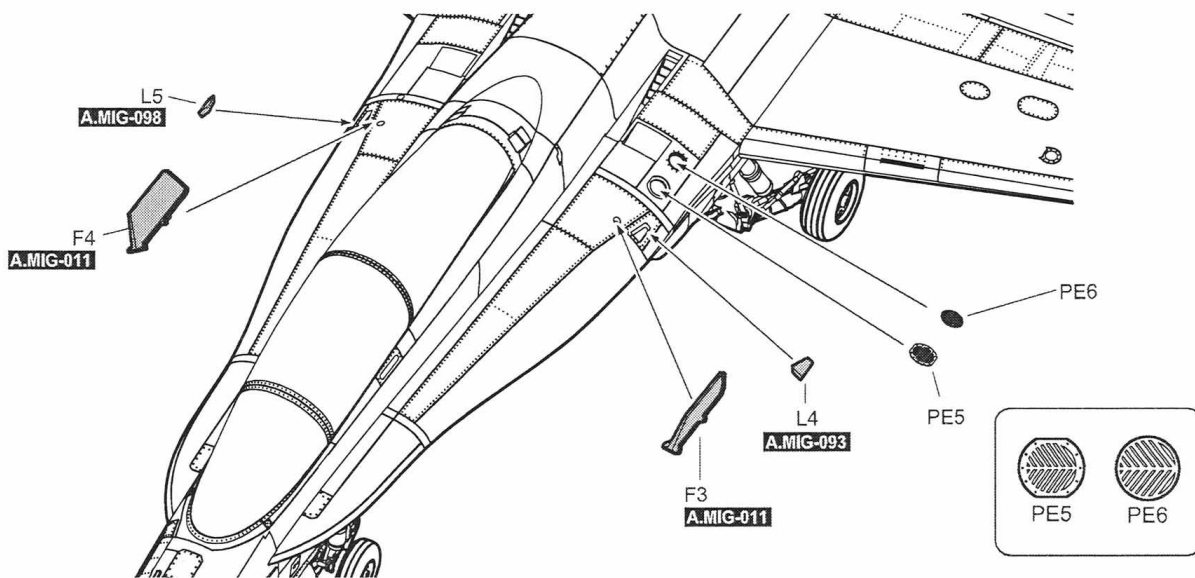
22



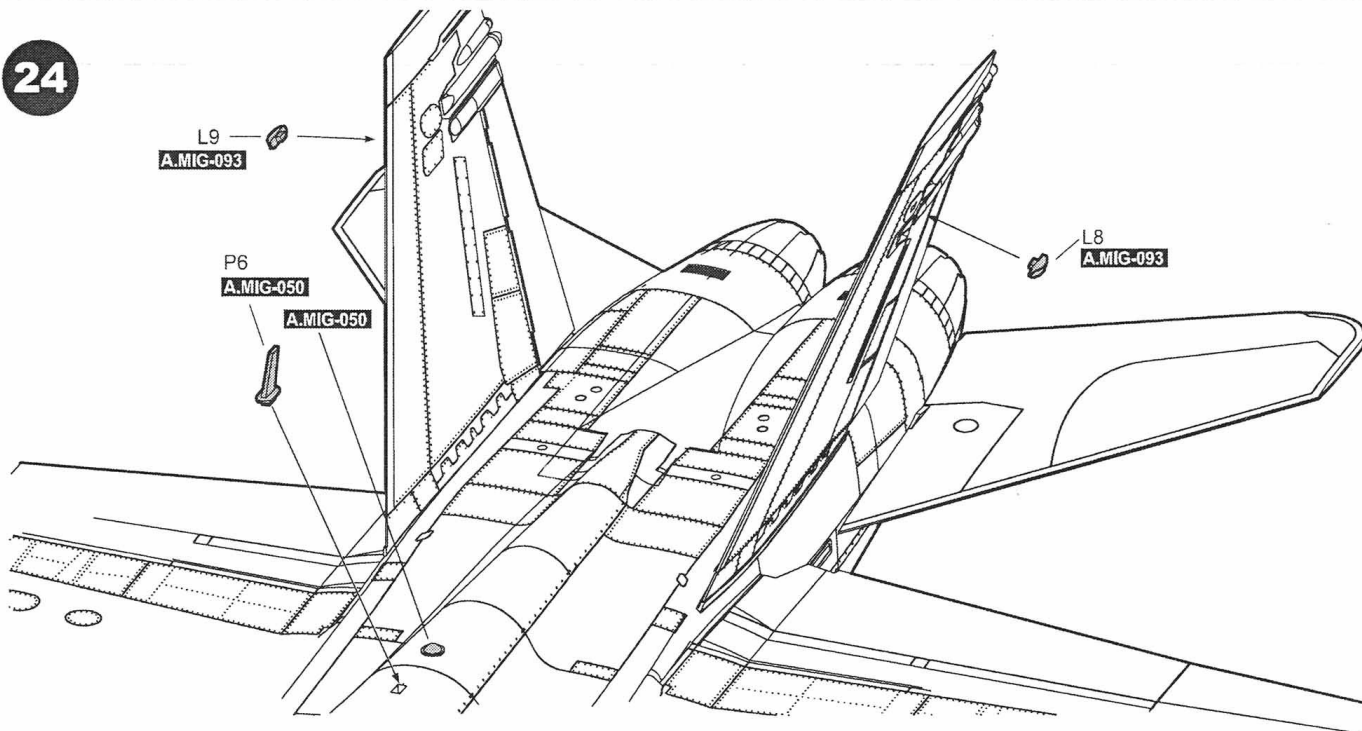
R/L Landing Gears



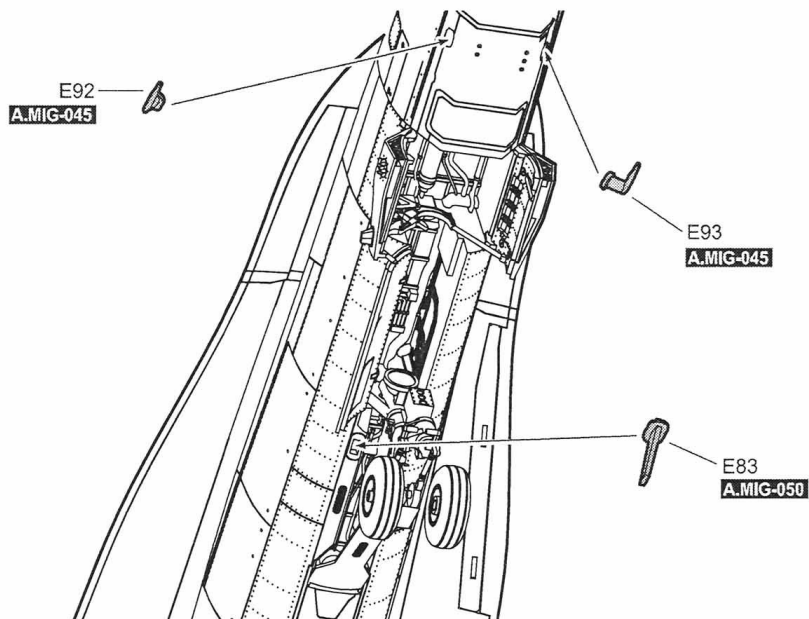
23



24

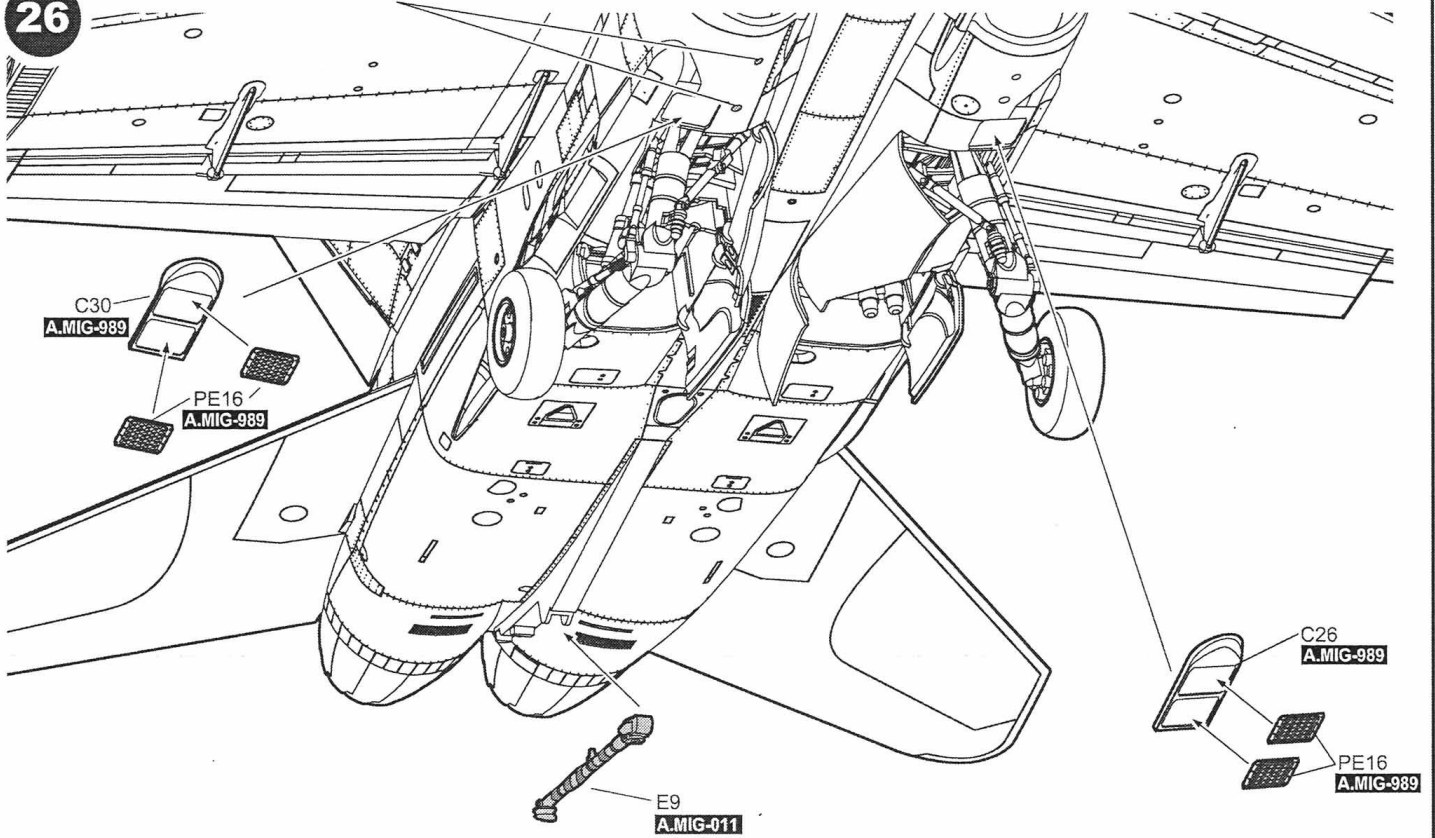


25

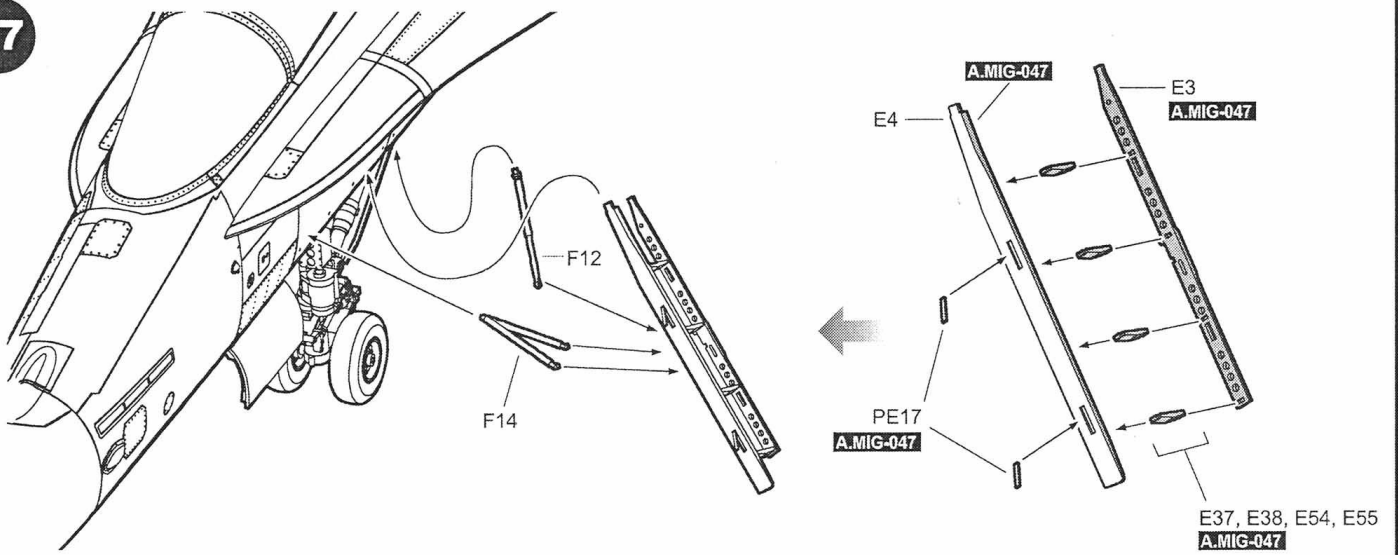


26

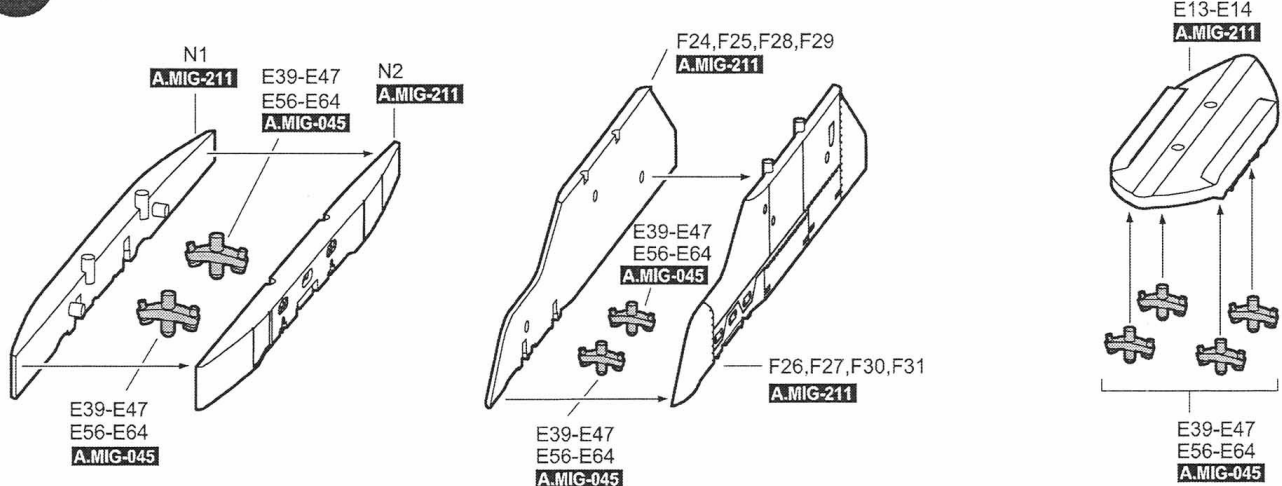
FILL HOLE



27

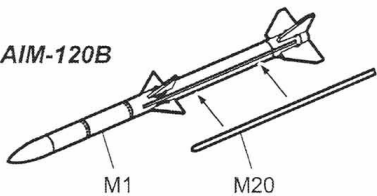


28

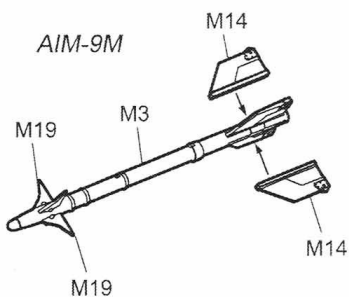




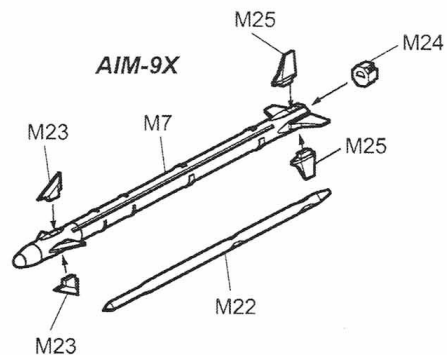
AIM-120B



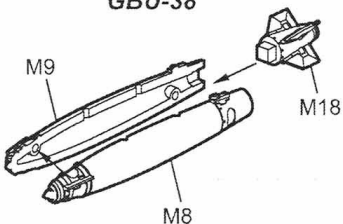
AIM-9M



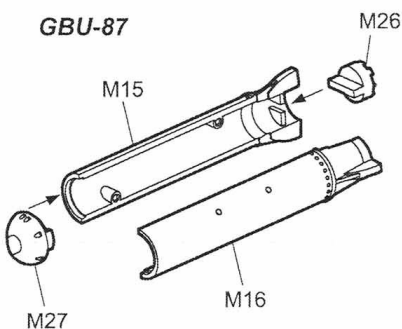
AIM-9X



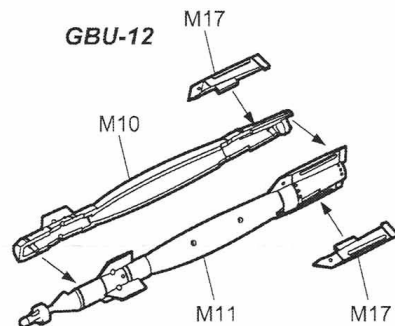
GBU-38



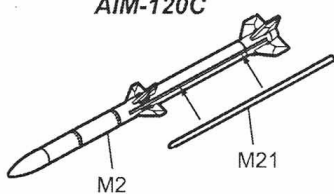
GBU-87



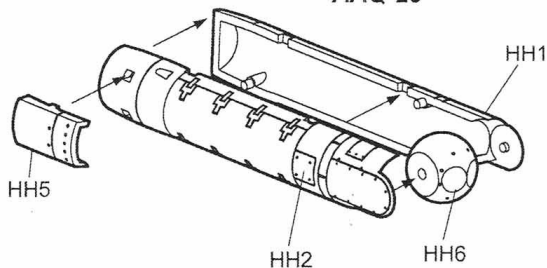
GBU-12



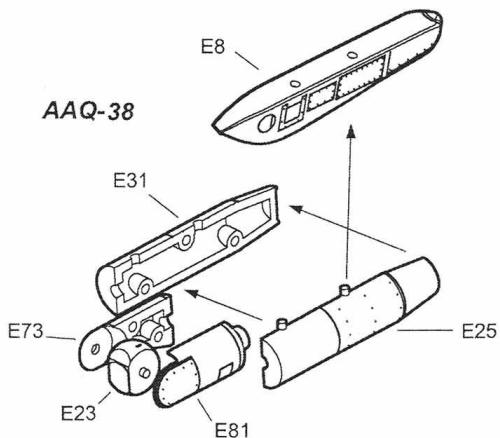
AIM-120C



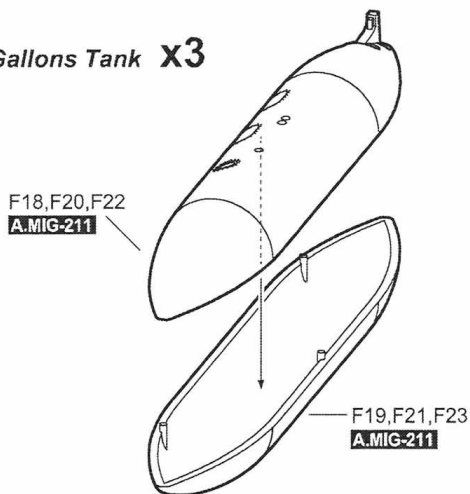
AAQ-28



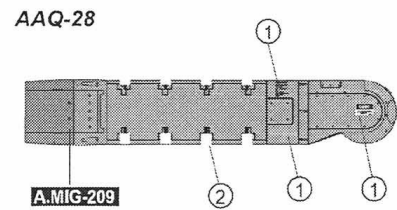
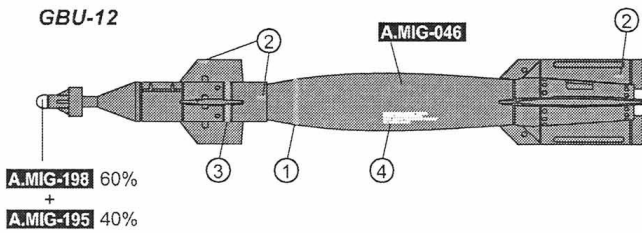
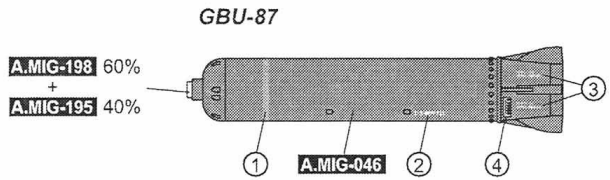
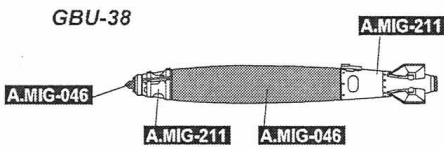
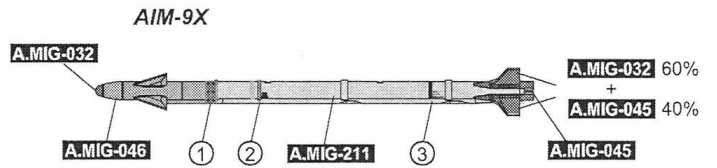
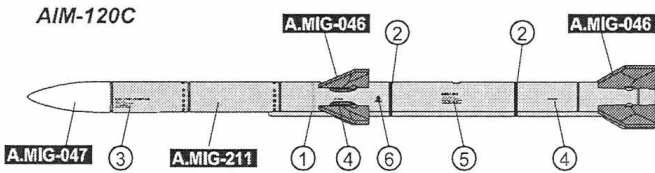
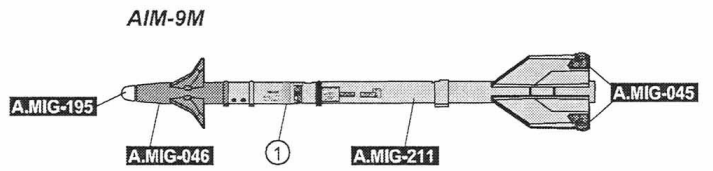
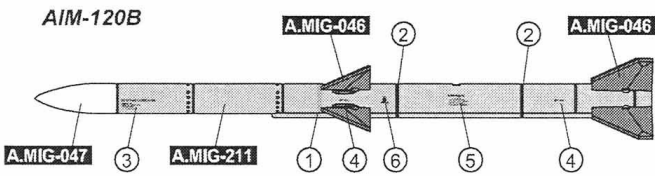
AAQ-38



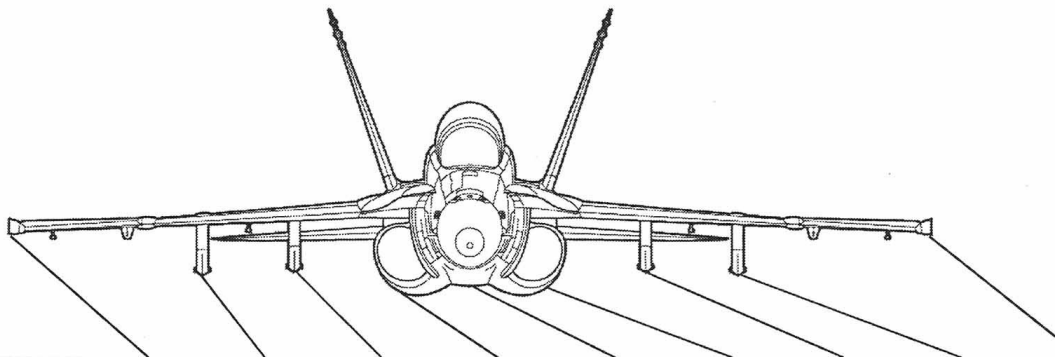
330 Gallons Tank x3



# Painting & Decal Placement - External Stores



## EXTERNAL STORES



Weapons	Sta. No.	<9>	<8>	<7>	<6>	<5>	<4>	<3>	<2>	<1>
AIM-9M/X		●								●
AIM-120			●		●		●		●	
GBU-12			●	●				●	●	
GBU-38			●						●	
AAQ-28					●	●				
CBU-10			●	●				●	●	●
AAQ-38							●			
FUEL TANK 330 Gallons				●		●		●		



## PAINT INDEX

COLOR	AMMO MIG	VALLEJO MODEL COLOR	GSI CREOS MR. COLOR	TAMIYA ENAMEL/ACRYLIC	HUMBROL ENAMEL
B RESEDAGRÜN	A.MIG-004	823	-	X05	2
DUNKELGELB AUS '44 DG I	A.MIG-011	830	-	XF62	66
PROTECTIVE GREEN	A.MIG-023	891	-	-	117
SAND BROWN	A.MIG-026	874	-	-	-
DESERT SAND	A.MIG-029	916	-	-	250
SAND YELLOW	A.MIG-030	887	304	XF72	155
SATIN BLACK	A.MIG-032	861	2	-	21
OLD WOOD	A.MIG-036	879	81	-	-
GUN METAL	A.MIG-045	863	76	XF56	53
MATT BLACK	A.MIG-046	950	12	XF1	33
SATIN WHITE	A.MIG-047	842	1	-	22
YELLOW	A.MIG-048	953	413	XF3	15
RED	A.MIG-049	957	-	XF07	153
MATT WHITE	A.MIG-050	951	11	XF2	34
BLUE	A.MIG-086	963	-	-	52
CRYSTAL RED	A.MIG-093	934	-	-	220
CRYSTAL PERISCOPE GREEN	A.MIG-096	936	-	-	-
CRYSTAL ORANGE	A.MIG-097	935	-	-	-
CRYSTAL LIGHT BLUE	A.MIG-098	938	-	-	-
SILVER	A.MIG-195	997	8	XF16	11
GOLD	A.MIG-198	996	9	-	-
GHOST GRAY	A.MIG-208	991	317	XF54	27
LIGHT GRAY	A.MIG-209	990	308	-	-
GRAY BLUE	A.MIG-210	901	-	-	-
MEDIUM GRAY	A.MIG-211	989	-	XF19	127
INTERMEDIATE BLUE	A.MIG-228	867	36	XF54	79
OLIVE DRAB LIGHT BASE	A.MIG-927	893	309	XF27	91
RUSSIAN SHINE	A.MIG-935	838	-	-	-

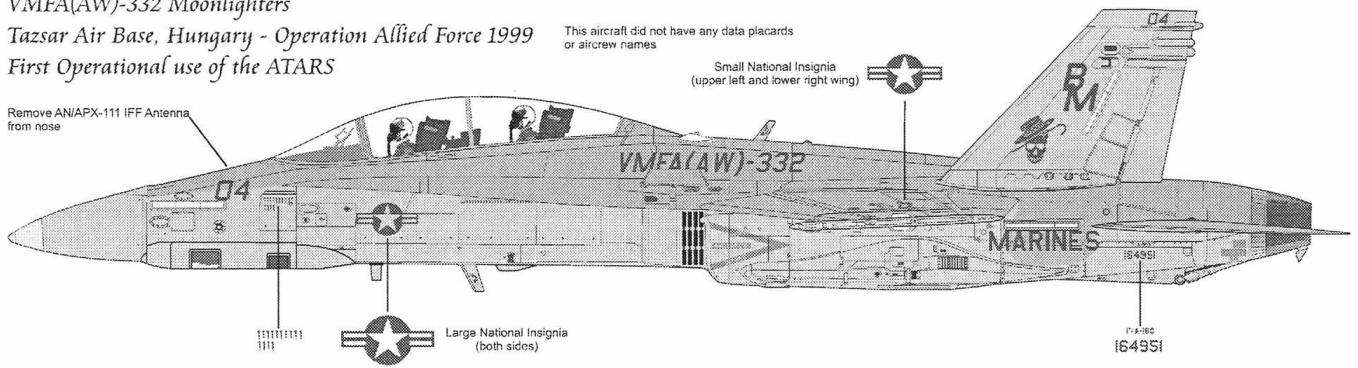
For Color Profile, please go to [www.kineticmodel.com](http://www.kineticmodel.com) for download  
(type the kit# and go for manual/painting guide)

*VMFA(AW)-332 Moonlighters*  
*Tazsar Air Base, Hungary - Operation Allied Force 1999*  
*First Operational use of the ATARS*

This aircraft did not have any data placards or aircrew names

Remove AN/APX-111 IFF Antenna from nose

Small National Insignia (upper left and lower right wing)



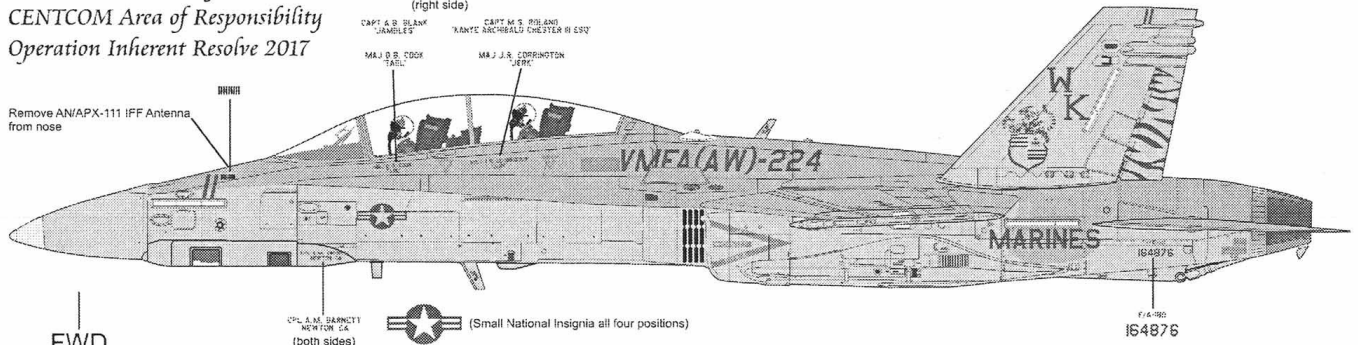
Large National Insignia (both sides)

F/A-18D 164951

*VMFA(AW)-224 Bengals*  
*CENTCOM Area of Responsibility*  
*Operation Inherent Resolve 2017*

Remove AN/APX-111 IFF Antenna from nose

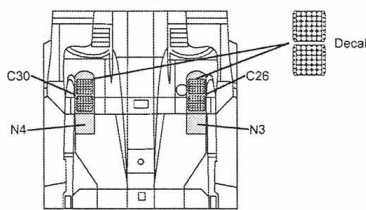
(right side)  
 CAPT A B BLANK "DANIELS"  
 CAPT M S PUGLISI "MATE ARCHIBALD CHESTER RUSBY"  
 MAJ B B COOK "TAC"  
 MAJ J R CORRIOTT "JEW"



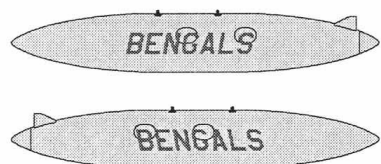
(Small National Insignia all four positions)

F/A-18D 164876

FWD



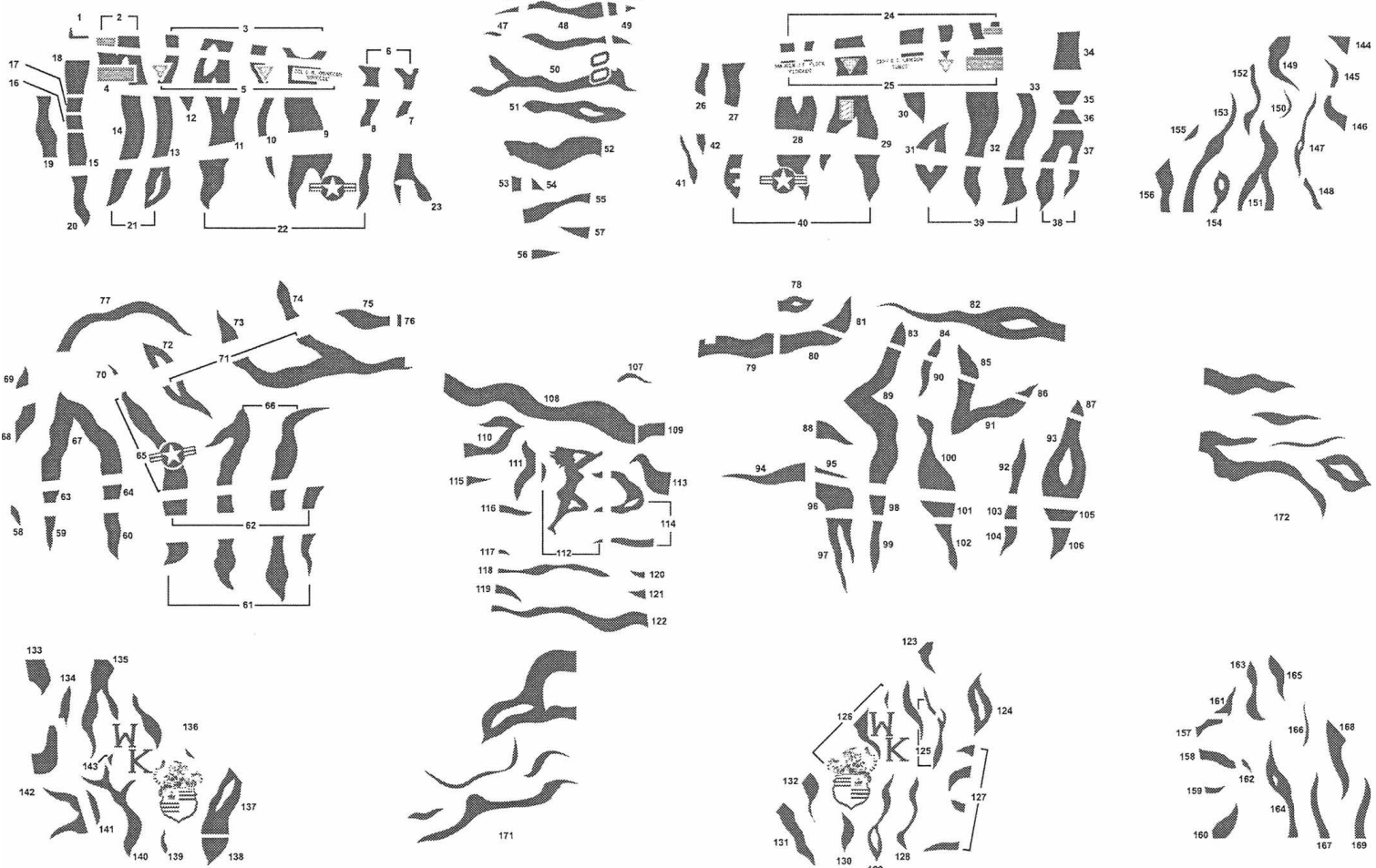
Dual AN/ALE-47 Chaff/Flare Buckets  
 VMFA(AW)-224 options



\*\*Do NOT use kit parts E21, E22, E48, E49, E50, E51, E52, E53, PE 3, PE 4, PE 7

The Tiger Stripe decals are grouped together and laid out on the sheet as they appear on the aircraft. They are laid out in the same manner here and have been numbered to aid in their placement.

In the event touch ups are required, the stripes are Gunship Gray, FS36118



VMFA(AW)-224 Bengals  
MCAS Iwakuni, Japan 2009

