

Yakovlev

**YAK-15**



**1/72**  
**SCALE**

MODEL KIT  
MODELE REDUIT  
MODELL-BAUSATZ

SERIES 2

**PIONEER**

Pas de décalcomanies disponibles actuellement.



# Yakovlev YAK-15

1/72 SCALE SERIES 2

**PIONEER 2**

MODELS

46 Haworth Road, Crossroads,  
Keighley, BD22 9DL, UK.

## HISTORY OF THE YAKOVLEV YAK-15

The YAK-15 first flew on 24th. April 1946. This jet fighter was, in fact, developed from the piston-engined YAK-3. Their fuselages and wings were almost identical although differences in some details were made for the inclusion of the jet engine.

The YAK-15 gave the Russian air forces their first practical experience in flying jet aircraft. The engine of the YAK was developed from the German Jumo 004, for which the Russians used the reference number RD-10.

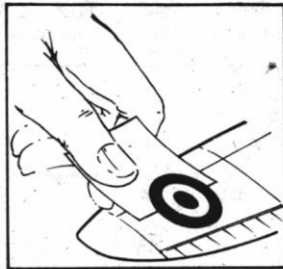
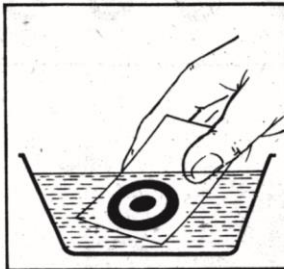
280 aircraft were built but the YAK-15 was quickly followed by the YAK-17 and then the MIG-15.

The YAK-15 was also used as a two-seat development, designated YAK-21, giving the Russians their first chance to train their jet pilots. After some front line duties, the YAK-15 (and-21) were passed on to the satellite countries and finally phased out at the end of the forties.

Length 9.20 m  
Span 8.7

Max. speed 805 kph  
Max. Range 510 kms.  
Max. Weight 2735 kgs.

PRINTED IN TURKEY



"Cut from decal sheet the section required. Place in warm water for 10-15 seconds. Slide from backing sheet directly on to model. Locate accurately and press down with soft cloth, removing excess water at same time."

In case of complaint please complete this section and send to:



Pioneer 2 Models 46 Haworth Road, Crossroads, Keighley, BD22 9DL, UK.

NAME \_\_\_\_\_

ADDRESS \_\_\_\_\_  
\_\_\_\_\_  
\_\_\_\_\_

Quoting where purchased \_\_\_\_\_

date purchased \_\_\_\_\_

missing part no \_\_\_\_\_



GLUE



DO NOT  
GLUE



USE HEATED  
KNIFE



OPTIONAL  
CHOICE



CUT

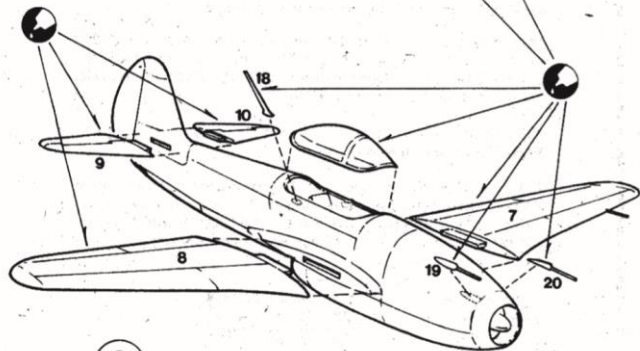
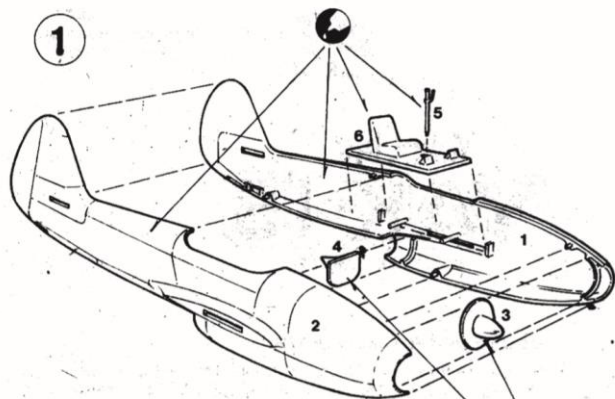


DECAL



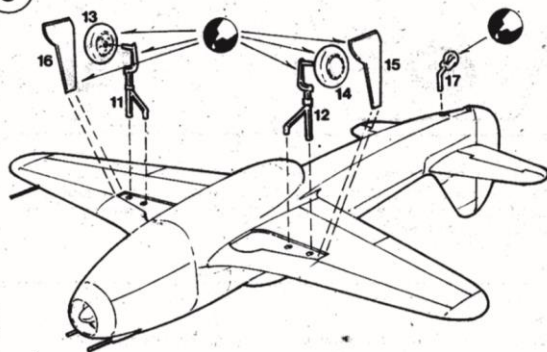
WEIGHT

1



2

3



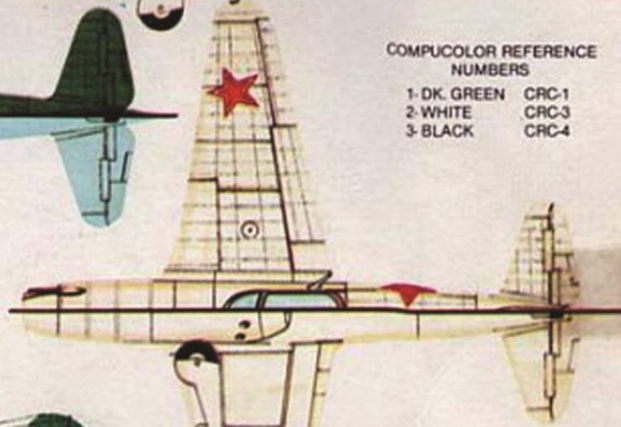
4



Yakovlev  
**YAK-15**



STANDARD COLOUR SCHEME



COMPUCOLOR REFERENCE  
NUMBERS

- |              |       |
|--------------|-------|
| 1- DK. GREEN | CRC-1 |
| 2- WHITE     | CRC-3 |
| 3- BLACK     | CRC-4 |

WINTER COLOUR SCHEME