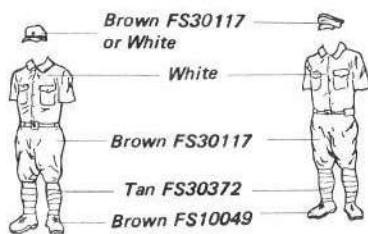
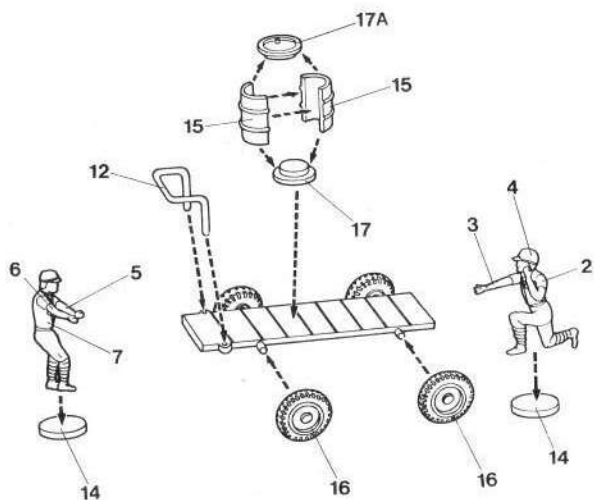
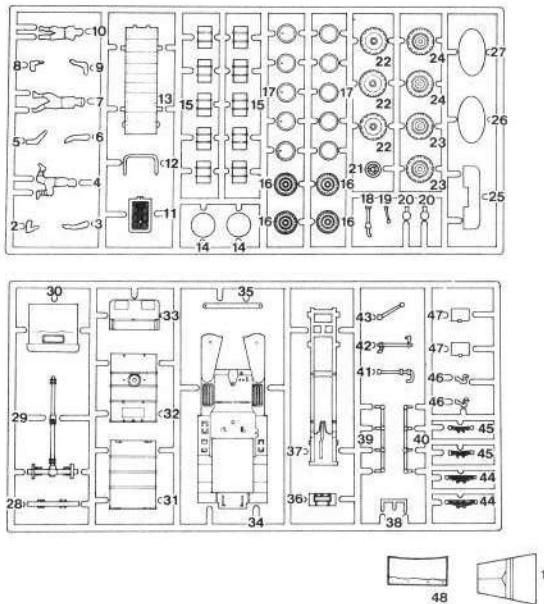


**8** Assemble five gasoline drums by cementing two 15's, 17 and 17A together. Cement four wheels 16 to 13 and cement 12 in place on 13 as shown. Cement 5, 6 and 7 together then to 14. Cement 2, 3 and 4 together then cement figure to remaining 14.



PART DRAWINGS AND PART NUMBERS

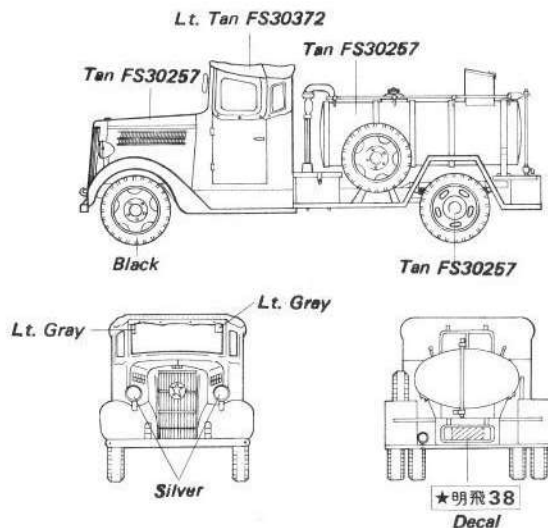


# FUEL TRUCK ISUZU TX-40



Altogether, there were about 20 different models of the Type 97 utility truck.

The Isuzu TX-40, made to the Type 97 specification, was heavily supplied to both the Japanese Army and Navy for use as a fuel truck. The strong resemblance to certain pre-World War II American Army trucks is not accidental. Admittedly, the basic design for the Type 97 truck was based upon the U.S. Army's designs. In fact, prior to the outbreak of World War II, the Japanese automotive-truck industry relied quite heavily upon designs licensed from American and British manufacturers. As the war progressed and shortages became more prevalent, it was not uncommon for this type of truck to be supplied with only one headlight, no fenders or radiator grill, and possibly even without the spare wheel.



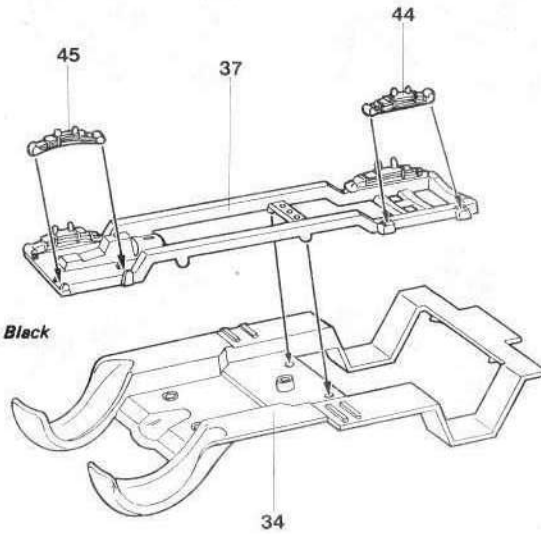
HASEGAWA SEISAKUSHO CO.,LTD

1193-2 Yagusu, Yaizu 425, Shizuoka, Japan

## BEFORE ASSEMBLING YOUR KIT

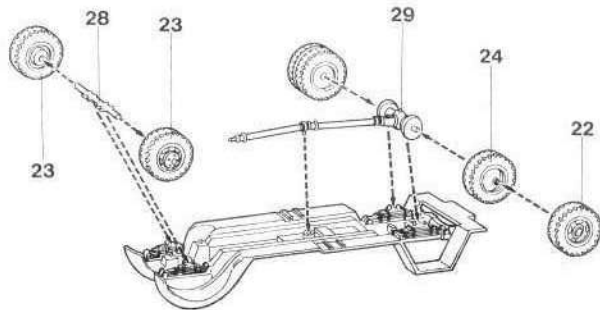
Read these instructions carefully before assembling your model and check the exact fit of the parts before cementing. Clean off excess plastic, if any, with a sharp knife or a file. Since many tiny parts are included, check them with the assembly drawing before assembling. Do not tear off parts from the stem, but cut them off carefully with a knife or clippers. Do not cut off all of the parts at the beginning, but cut each part to be assembled, one by one, to assure each part being properly identified. Do not use too much cement since surplus adhesive can spoil the finish.

**1c** Cement two 44's and two 45's to 37, then cement 37 to 34.

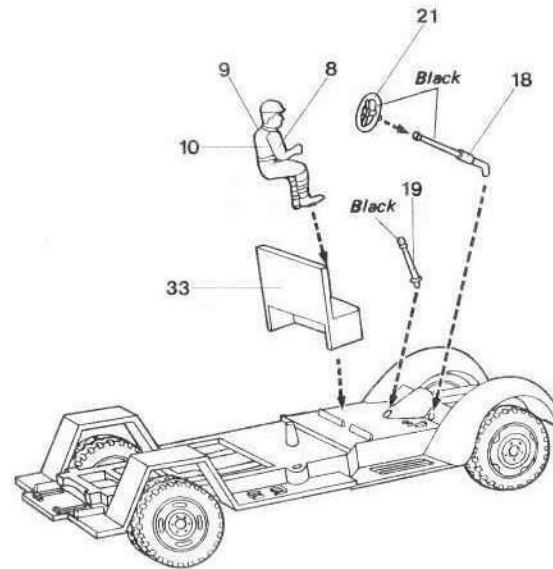


Underrides Black

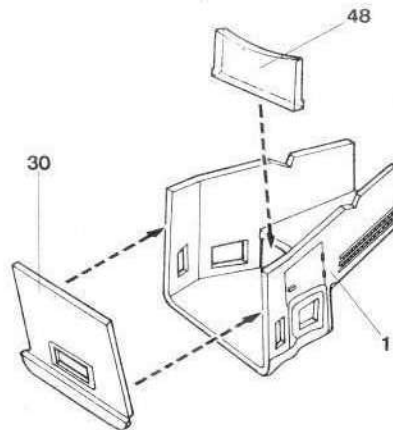
**2** Cement two 23's to 28, then cement 28 to chassis. Cement pins on axles of 29 to hole on each 24 then cement a 22 to pin on each 24 as shown.



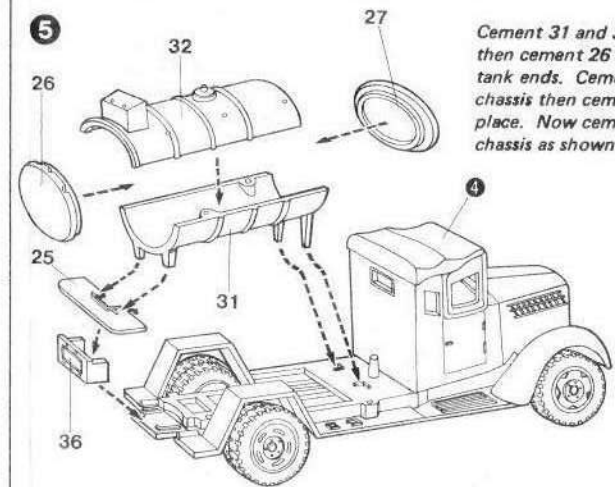
**3** Cement 21 to 18 then cement 18 and 19 to chassis. Cement arms 8 and 9 to 10. Cement assembled driver to seat 33 then cement seat to chassis as shown.



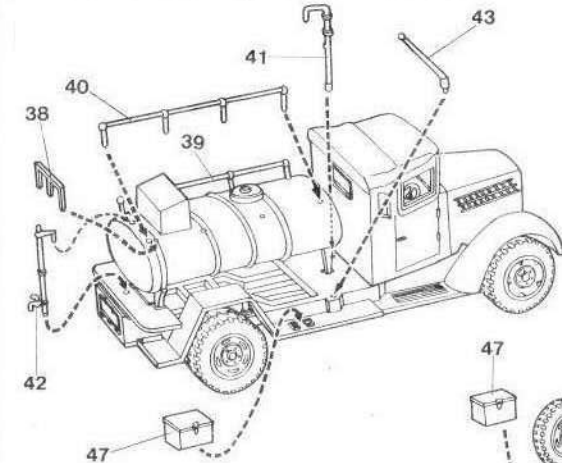
**4** Cement clear windshield 48 to 1. Cement 30 to back of cab on 1.



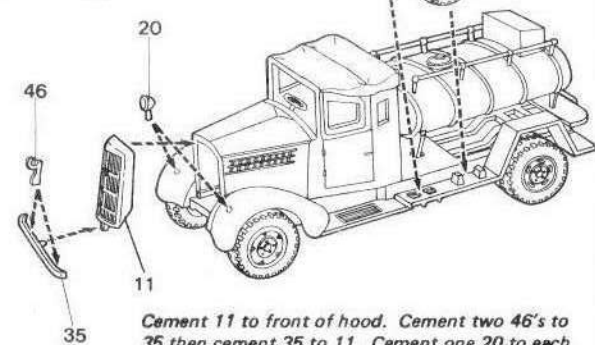
**5** Cement 31 and 32 together, then cement 26 and 27 into tank ends. Cement 36 to chassis then cement 25 into place. Now cement tank to chassis as shown by arrows.



**6** Cement one 47 to running board, then cement 41, 42 and 43 in place. Cement railings 38, 39 and 40 to tank.



**7** Cement 11 to front of hood. Cement two 46's to 35 then cement 35 to 11. Cement one 20 to each front fender. Cement 47 and 22 to running board.



83

201

MADE

IN JAPAN