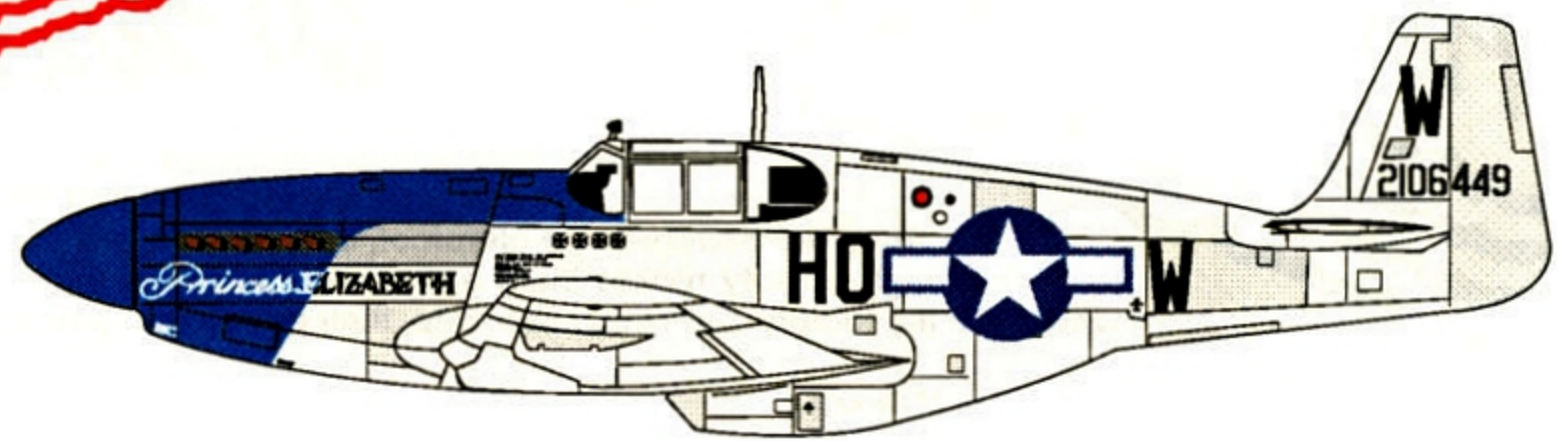
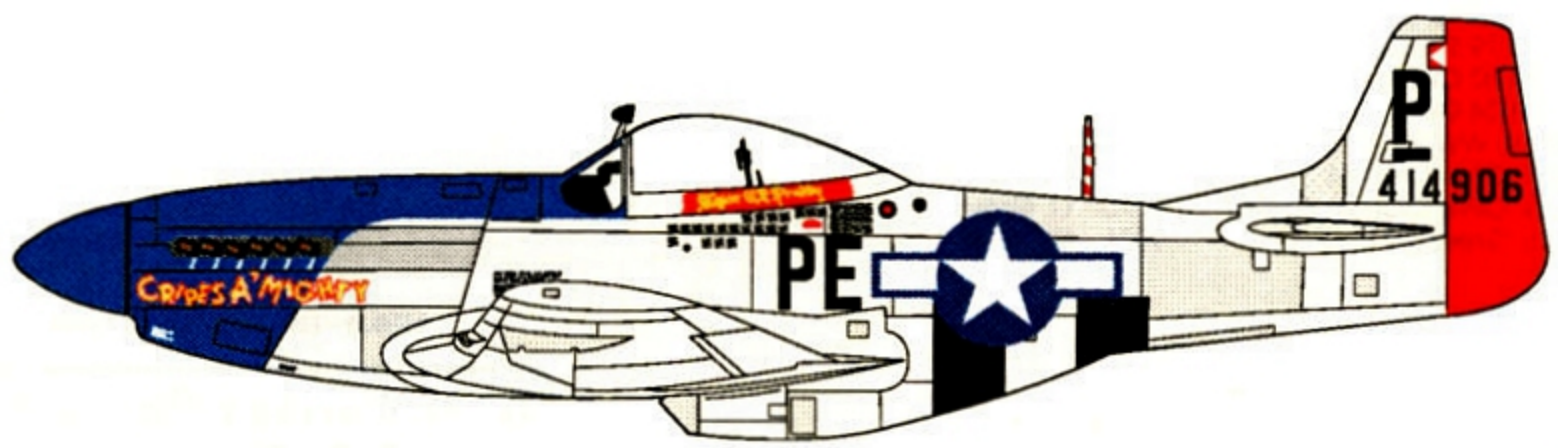


*AeroMaster.*



### Blue Nose Birds of Bodney



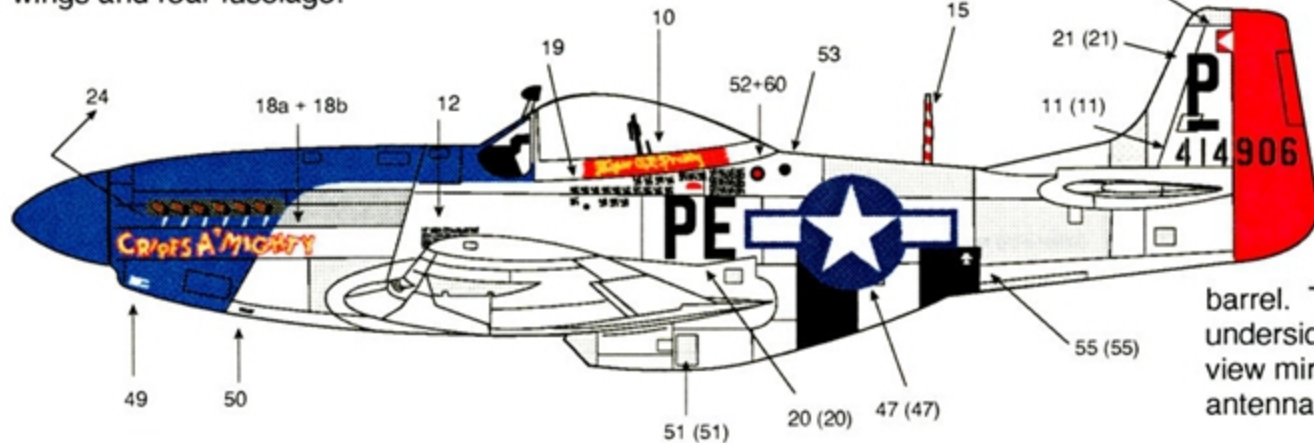
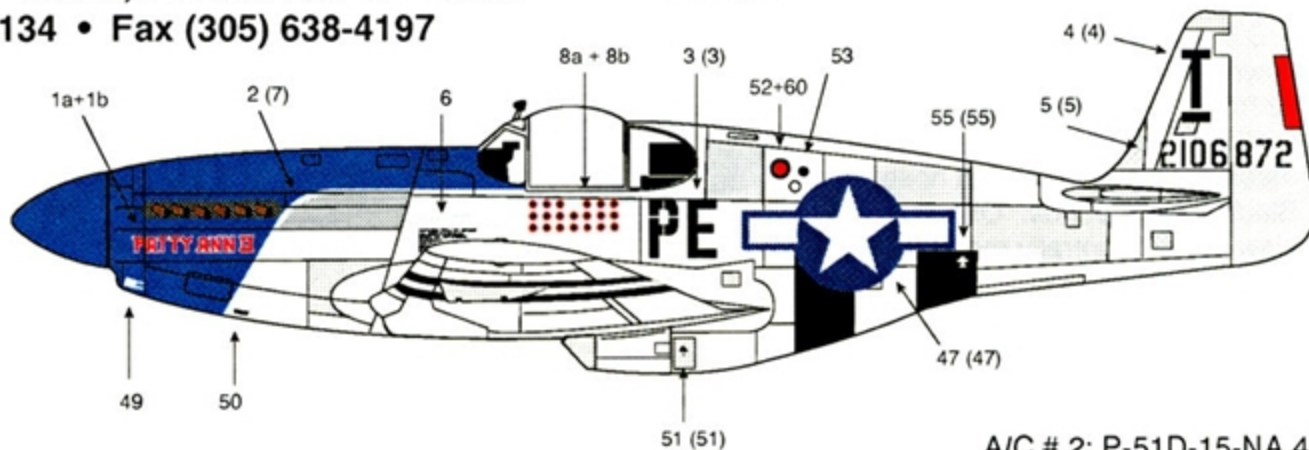
# AeroMaster Decals™

3615 NW 20th Ave • Miami, Florida 33142 • USA  
Tel. (305) 635-3134 • Fax (305) 638-4197

## Blue Nose Birds of Bodney 48-130

Note: Parenthesis indicates opposite or starboard placement.  
"xx+xx" indicates applying one decal over another for purposes of better registration.

A/C # 1: P-51B-15 NA 2106872, flown by First Lt. John F. Thornell, 328th FS, 352nd FG, July 1944. Overall duraluminum finish with med. blue spinner and nose. Thin white outline to blue nose. Red rudder tab and black and white D-Day stripes under the wings and rear fuselage.

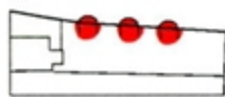


A/C # 2: P-51D-15-NA 44 14906, flown by Maj. George Preddy, 328th FS 352nd FG, Christmas Day, 1944. Overall duraluminum finish with med. blue spinner and nose. Red rudder. Leading edge gun covers white with red tear drop designs over each gun barrel. Two black D-Day stripes underside of rear fuselage. Two rear view mirrors painted black. Paint antenna pole white before decaling.

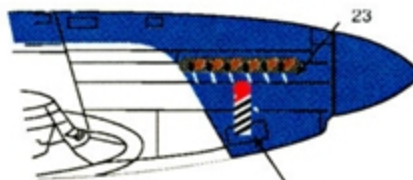
Scrap view wing guns



Top View

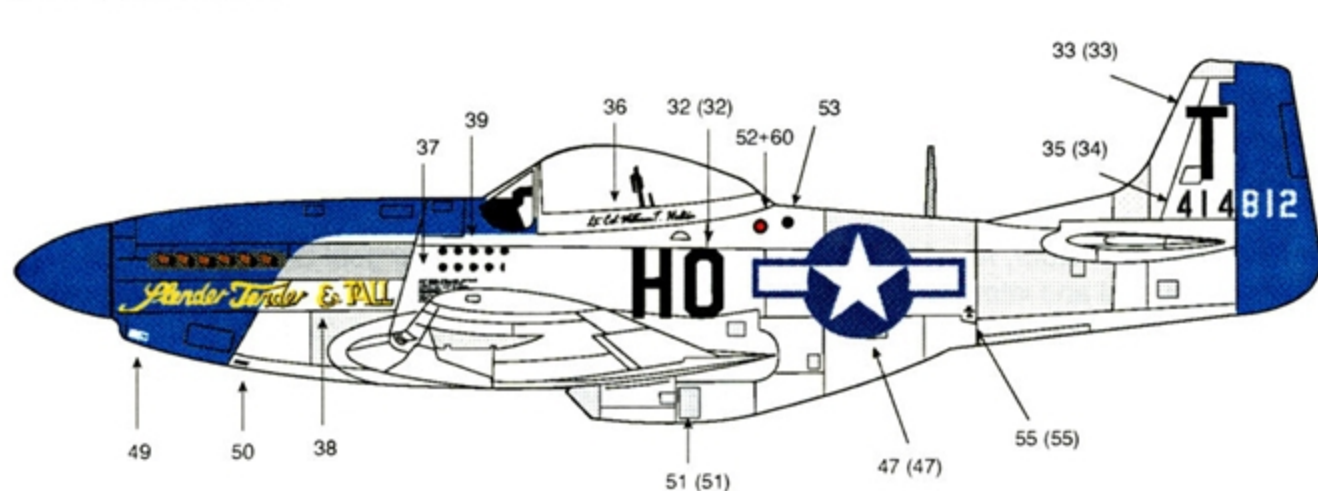
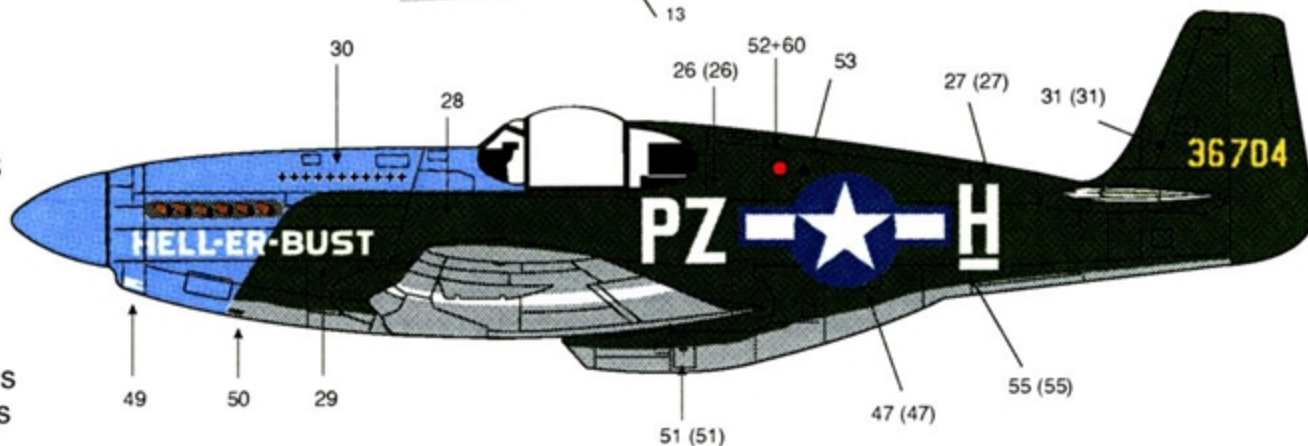


Bottom View



Scrap view starboard fuselage A/C # 2. The white hash marks align with ends of exhaust stubs.

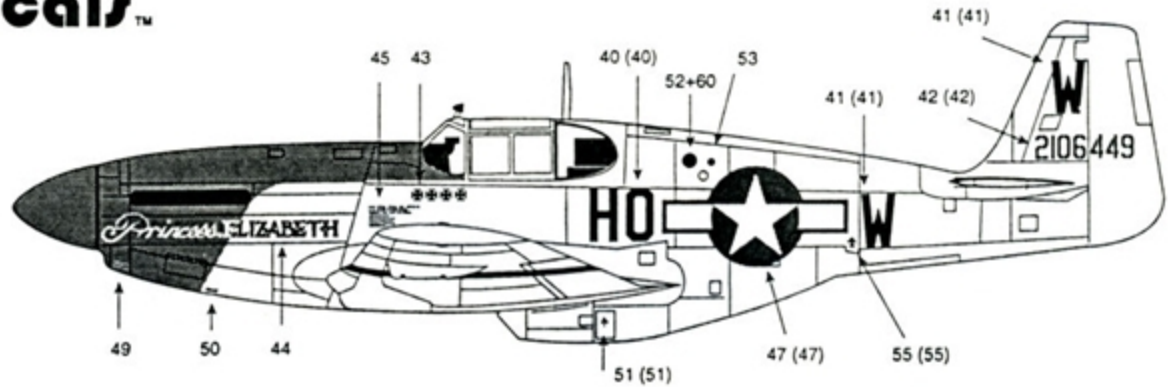
A/C # 3: P-51B-5 NA 43-6704, flown by First Lt. Edwin Heller, 486th FS, 352nd FG, September 1944. British Green or US Green 42 upper surfaces and Neutral Gray finish undersurfaces with lightened (weathered?) Med. Blue spinner and nose. White theater stripes on top and bottom of wings and rear horizontals.



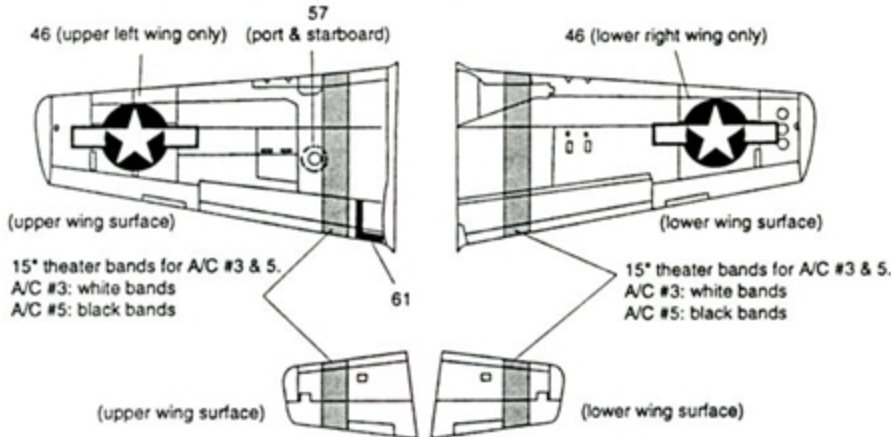
A/C # 4: P-51D-10-NA 44-14812, flown by Maj. William Halton, Officer Commanding, 487th FS, 352nd FG, April, 1945. Overall duraluminum finish with med. blue spinner, nose and rudder. Note P-51K style canopy.

# AeroMaster Decals™

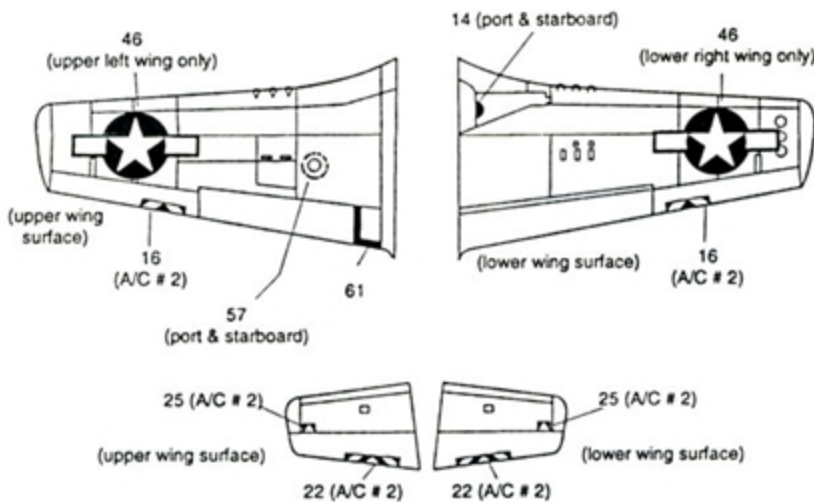
A/C # 5: P-51B-10-NA 42-106449  
 flown by First Lt. William Whisner,  
 487th FS, 352nd FG, May 1944.  
 Overall duraluminum finish with  
 medium blue spinner and nose.  
 Black theater bands. One rear  
 view mirror (centrally mounted at  
 top of windscreen).



## P-51B



## P-51D/K



We recommend **AeroMaster Warbird Colors**  
 to compliment your high quality **AMD** decals

Colors required to complete the aircraft  
 depicted on this decal sheet.

9001 Black	9010 Tire Black
9002 White	9042 US Green 42
9003 Yellow	9111 Dk. Green
9005 Red	
9004 Blue	

**NOTE:** P-51s were delivered in a standard finish consisting of natural metal fuselage, vertical fin, and horizontal stabilizers. The majority of the upper and lower wings were painted aluminum lacquer with all rivets and joints sealed to provide smoother airflow over the laminar flow wing. Ailerons and flaps were left in natural metal.

## References:

1. Mustang Aces of the Eighth Air Force, by Jerry Scutts, Osprey Aircraft of the Aces • 1.
2. Killer Aces, V1, Challenge Military Publications, pp. 40-53, 1989.
3. "George Preddy Top Mustang Ace", Appendix B, Aircraft Markings.
4. "Blue Nosed Bastards of Bodney".

## Suggested Kits:

Hasegawa P-51D/K  
 AeroMaster conversion #608  
 (for Accurate Miniature kit #3402)

If you have suggestions for future subject matter, AeroMaster would like to hear from you. Our goal is to provide high quality, well researched decals of unusual and interesting subjects. We value our customers' inputs, so if you have specific suggestions or photographs of unusual subject matter which you would be willing to share, please contact:

# AeroMaster Decals™

3615 NW 20th Ave • Miami, Florida 33142 • USA