



KIT 4401

EA-6A Wild Weasel

1/48 SCALE 1/48 ECHELLE ESCALA 1/48

REVELL, INC. Des Plaines, IL Copyright © 1989 All rights reserved. Made in U.S.A.

4401 R 4200

Developed as an evolutionary variant of the original Grumman A2F-1H, the sophisticated EA-6A was constructed in the mid-sixties as a dedicated Electronic Intelligence (ELINT) and Electronic Countermeasures (ECM) aircraft. Its primary mission was to "jam" enemy surface-to-air missile radar emissions to protect U.S. Navy and Marine attack aircraft. During the war in Southeast Asia, the advanced EA-6As successfully intercepted and jammed "Fansong" radar sites. The success of the two-place EA-6A inspired the development of the four-place EA-6B Prowler that serves with the fleet air wings today.

The unique EA-6A is very different from the familiar attack variant of the powerful Intruder. Distinguished by the aerodynamic fairing atop the vertical stabilizer, the EA-6A is fitted with an AN/ALQ-86 receiver/surveillance system, an AN/ALQ-41 track breaker system, and an ALQ-100 protection system. In addition to this internal ECM installation, external hardpoints

can be configured with pod-mounted ECM systems, Shrike anti-radiation missiles, and external fuel tanks to readily adapt the aircraft to a specific strike mission. In addition, the wing tip airbrakes were deleted from the EA-6A, and the cockpit instrument panels were fitted with ECM system control and display consoles.

This incredible model of the legendary EA-6A Wild Weasel is the only 1/48th scale replica of this fascinating aircraft ever created. From the dedicated EA-6A fuselage with its extended radome and aerodynamic antenna fairing to the detailed EA-6A cockpit and distinctive wings, this model captures all of the details of the real aircraft. External ordnance includes not only ALQ-76 jamming pods and external fuel tanks, but two Shrike missiles and an ALE-41 chaff dispenser pod as well. The sleek Revell EA-6A is marked in the colors of VAQ-209 and VAQ-309. Currently, all EA-6A aircraft are assigned to VAQ-309 stationed at NAS Whidbey Island, Washington.

READ THIS BEFORE YOU BEGIN

- Study the assembly drawings.
- Each plastic part is identified by a number.
- Check the fit of each piece before cementing in place.
- Do not use too much cement to join parts.
- Use only cement for polystyrene plastic.
- Model may be painted to match photos on box.
- Allow paint to dry thoroughly before handling parts.
- Scrape paint from areas to be cemented.
- For better paint and decal adhesion, wash the plastic parts in a mild detergent solution. Rinse and let air dry.

LISEZ CE QUI SUIT AVANT DE COMMENCER LE MONTAGE

- Etudier les schémas d'assemblage.

- Chaque pièce plastique porte un numéro d'identification.
- Contrôler que chaque pièce soit bien conforme avant de la coller à sa place.
- N'utilisez pas trop de colle pour réunir les pièces.
- Utilisez uniquement une colle spéciale pour polystyrène.
- Le modèle peut être peint conformément aux photos sur la boîte.
- Laissez sécher la peinture complètement, avant de manipuler les pièces.
- Grattez la peinture sur les surfaces devant être collées.
- Pour assurer la meilleure adhésion possible de la peinture et des décalcomanies, laver les pièces de plastique avec une légère solution savonneuse. Rincer et laisser sécher à l'air.

LEA ESTO ANTES DE EMPEZAR

- Estudie los dibujos de ensamblaje.
- Cada pieza de plástico se identifica por un número.
- Verifique que cada pieza encaje bien antes de pegar en posición.
- No use demasiado pegamento para unir las piezas.
- Use únicamente pegamento para plástico de poliestirena.
- El modelo puede pintarse de acuerdo con las fotografías de la caja.
- Permítale que se seque la pintura completamente antes de tocar las piezas.
- Raspe la pintura de las superficies que serán pegadas.
- Para una mejor fijación de la pintura y de las calcomanías, lávese las piezas plásticas en una solución de detergente suave. Enjuáguese y déjense secar al aire.

Revell, Incorporated has put forth every effort to create and manufacture the finest model kit available. If you have any problem with construction, or are missing a part, please dial 1-312-390-8910 and request Revell Customer Service. If you wish to write, please indicate the kit number, part number, and your return address, and send it to:

Revell, Incorporated
Customer Service Department
363 North Third Avenue
Des Plaines, Illinois 60016



REPEAT SEVERAL TIMES
À RÉPÉTER PLUSIEURS FOIS
REPITA VARIAS VECES



ALTERNATIVE ASSEMBLY
ENSEMBLAGE ALTERNATIF
ENSAMBLE ALTERNATIVO



OPTIONAL PARTS
PIECES EN OPTION
PIEZAS OPCIONALES



CUT OPENING
COUPER L'OUVERTURE
HAGA UNA ABERTURA

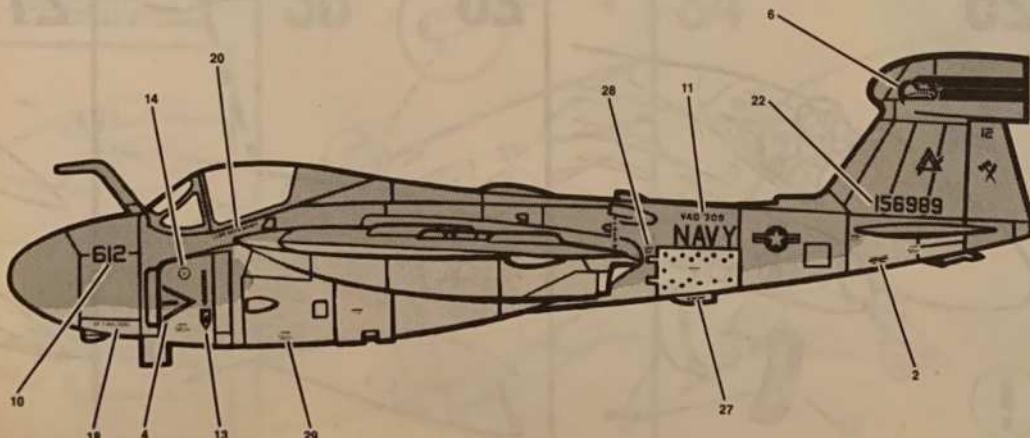


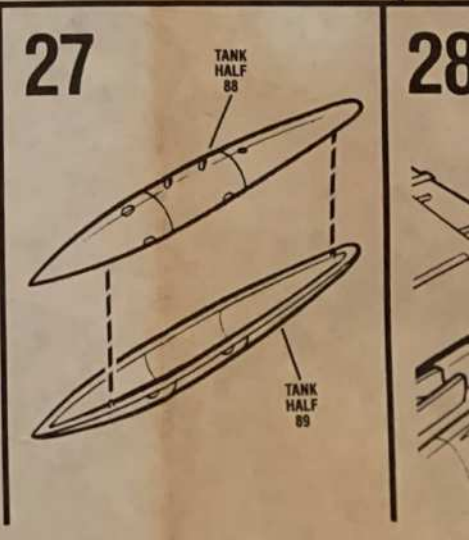
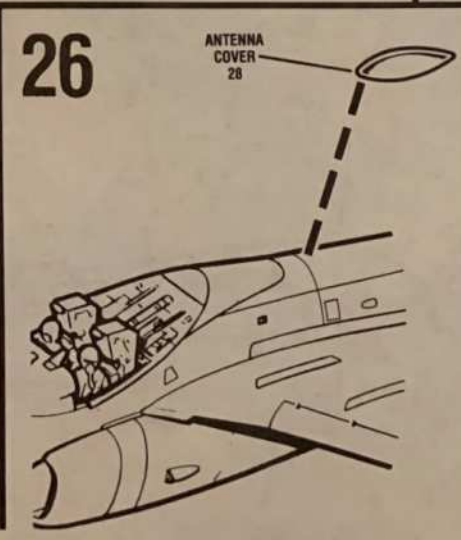
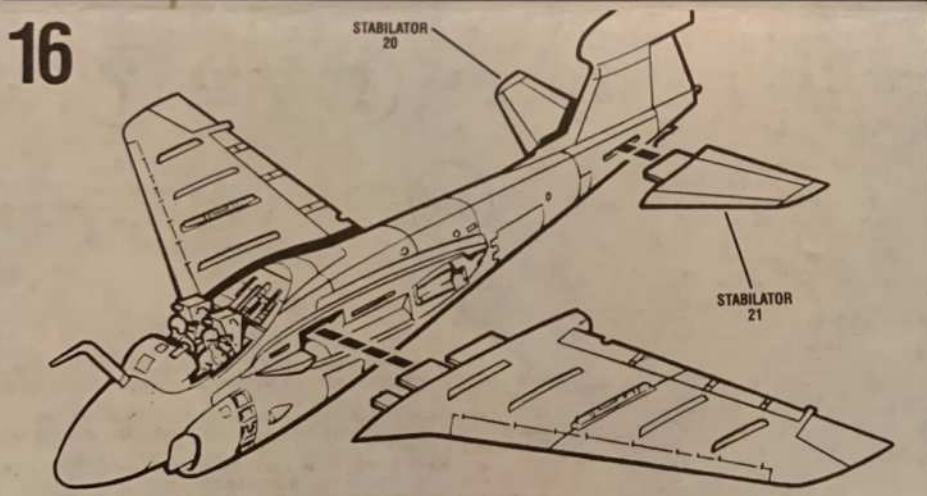
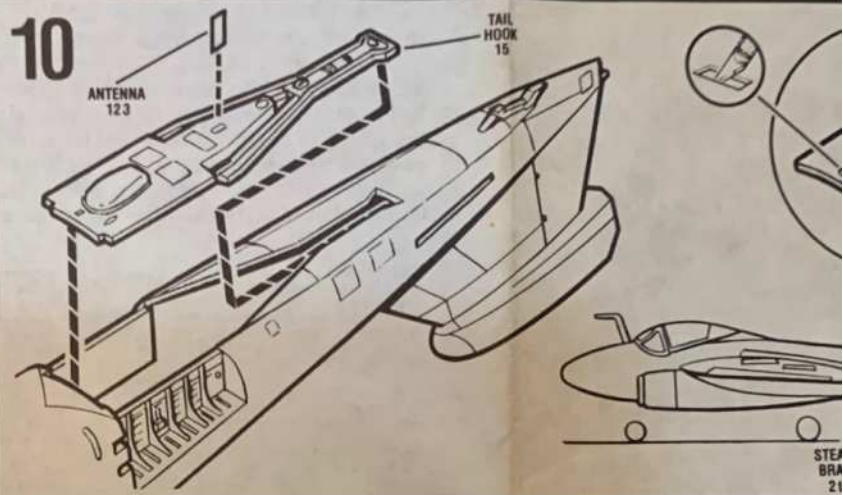
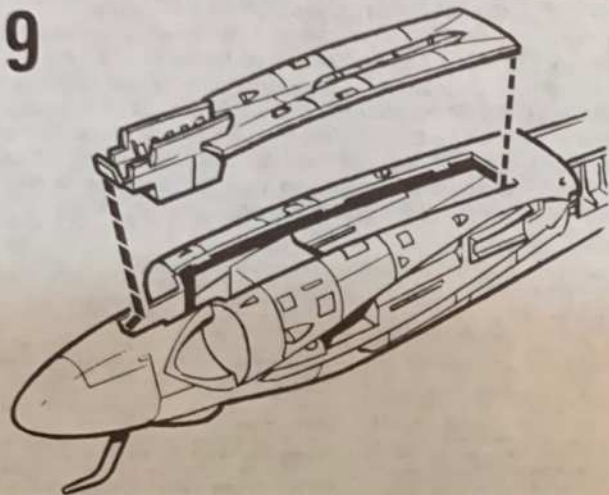
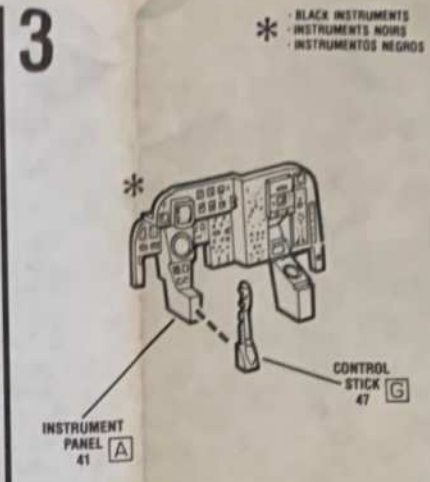
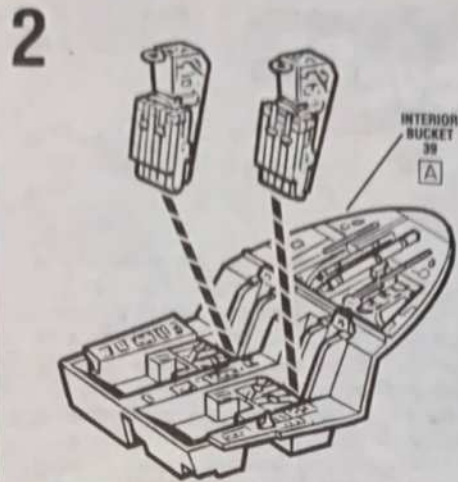
DECAL (DIP IN WATER)
DECALCOMANIE (A PLONGER DANS L'EAU)
DECALCOMANIA (MOJER CON AGUA)

- PAINTING
- FINITION
- PINTURA

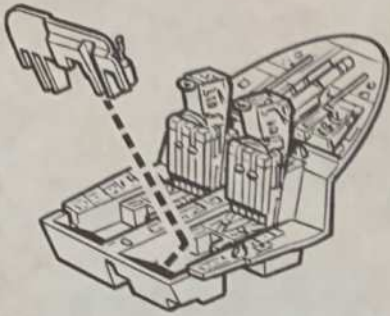
- PILOT—WHITE OR DARK GREEN HELMET WITH BLACK TRIM. OLIVE DRAB SUIT, DARK GRAY MASK AND HOSE, BLACK BOOTS, LIGHT GRAY CHUTE STRAPS WITH SILVER BUCKLES, BLACK GLOVES.
- PILOTE—CASQUE BLANC OU VERT FONCE AVEC BORDURE NOIRE, COSTUME VERT-OLIVE, MASQUE ET TUYAU GRIS FONCE, BOTTES NOIRES, SANGLES DE PARACHUTE GRIS CLAIR AVEC BOUCLES ARGENT, GANTS NOIRS.
- PILOTO—CASCO BLANCO O VERDE OSCURO CON ADORNOS NEGROS, ENTERIZO VERDE OLIVA, MASCARA Y MANGUERA DE OXIGENO DE COLOR GRIS OSCURO, BOTAS NEGRAS, CORREAS DEL PARAICAIDA CON HEVILLA PLATEADA, GUANTES NEGROS.

A	DARK GRAY	GRIS FONCE	GRIS OSCURO
B	MEDIUM GRAY	GRIS	GRIS
C	LIGHT GRAY	GRIS CLAIR	GRIS CLARO
D	RED	ROUGE	ROJO
E	WHITE	BLANC	BLANCO
F	DARK GREEN	VERT FONCE	VERDE OSCURO
G	FLAT BLACK	NOIR TERNE	NEGRO APAGADO
H	SILVER	ARGENT	PLATA
J	YELLOW	JAUNE	AMARILLO
K	OLIVE DRAB	VERT OLIVE	ACEITUNADO
L	GUNMETAL	METALLIC	METALICO

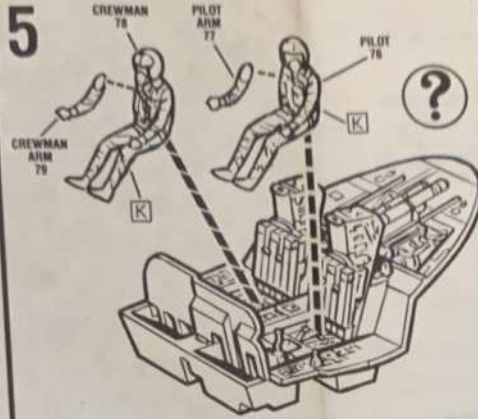




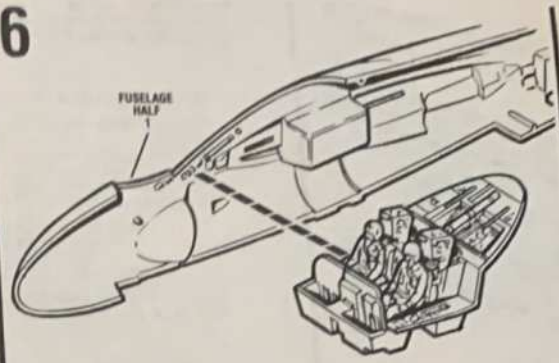
4



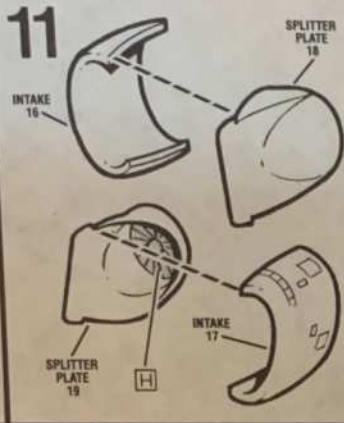
5



6



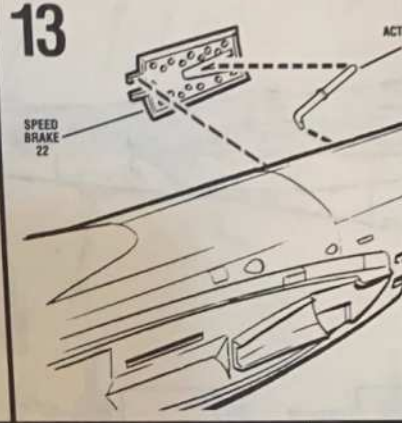
11



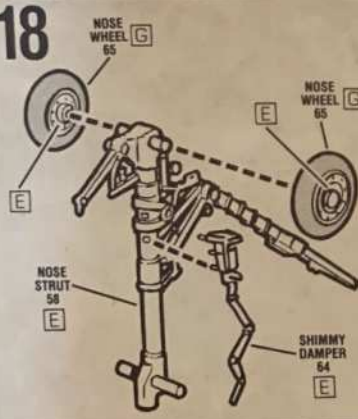
12



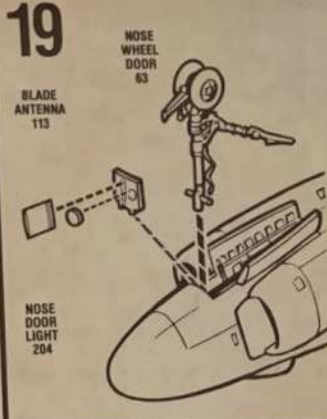
13



18



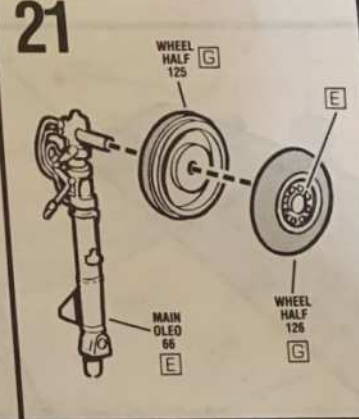
19



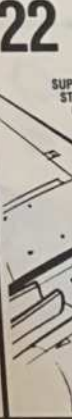
20



21



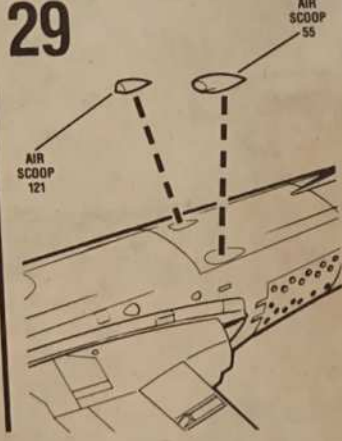
22



28



29

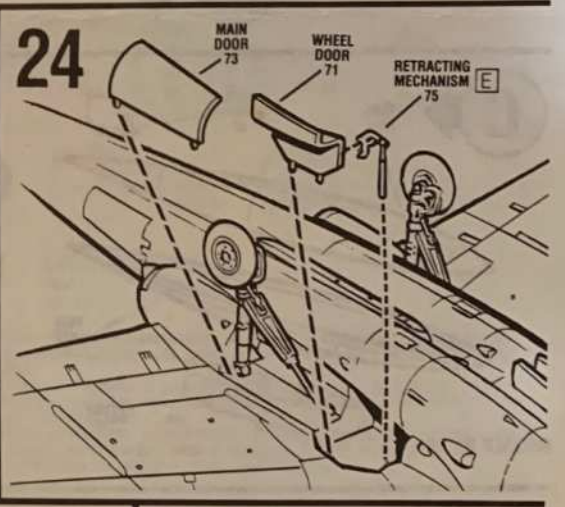
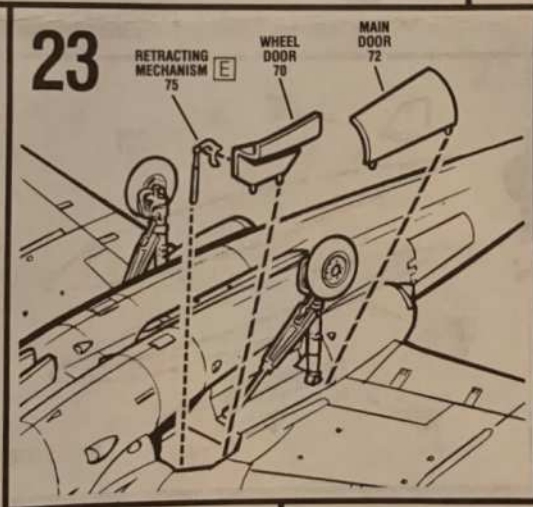
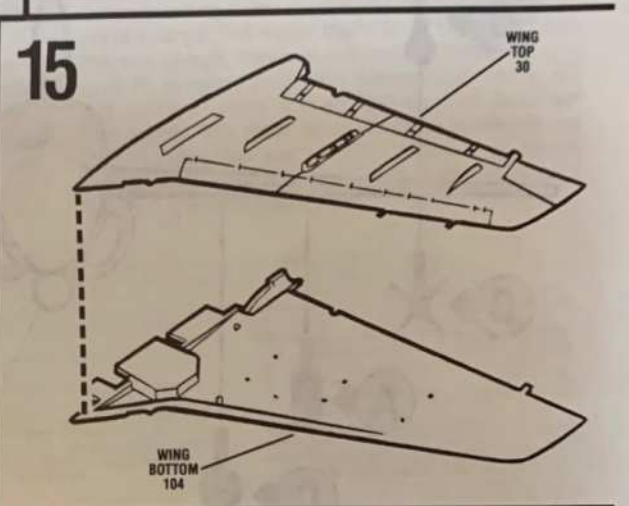
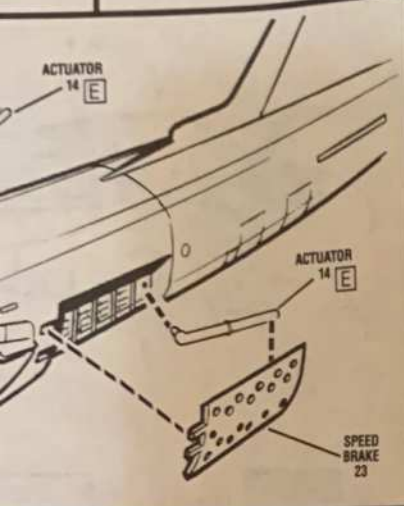
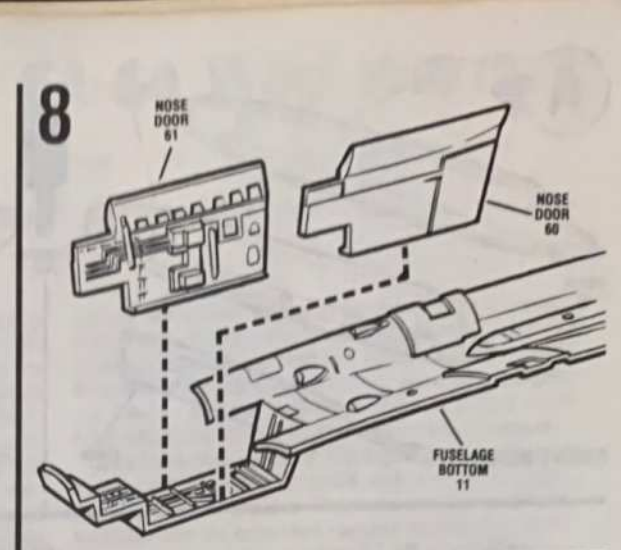
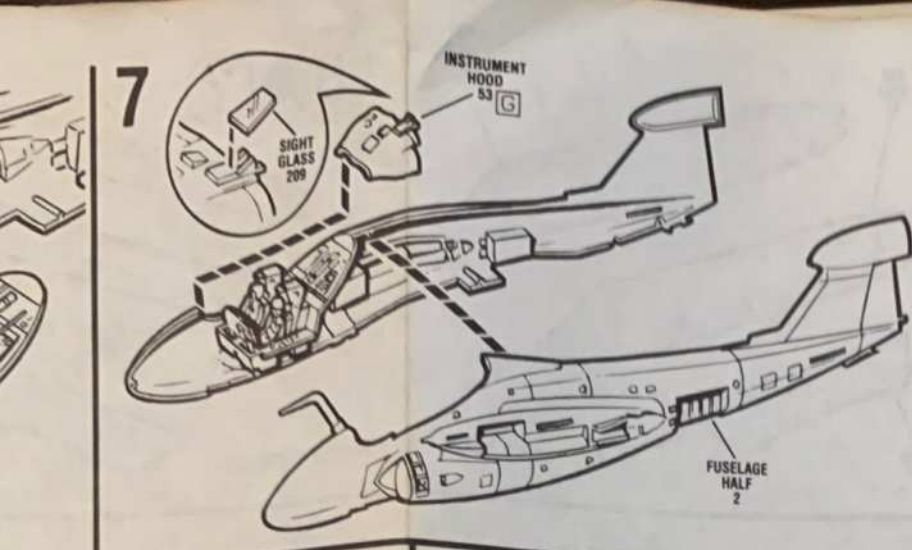


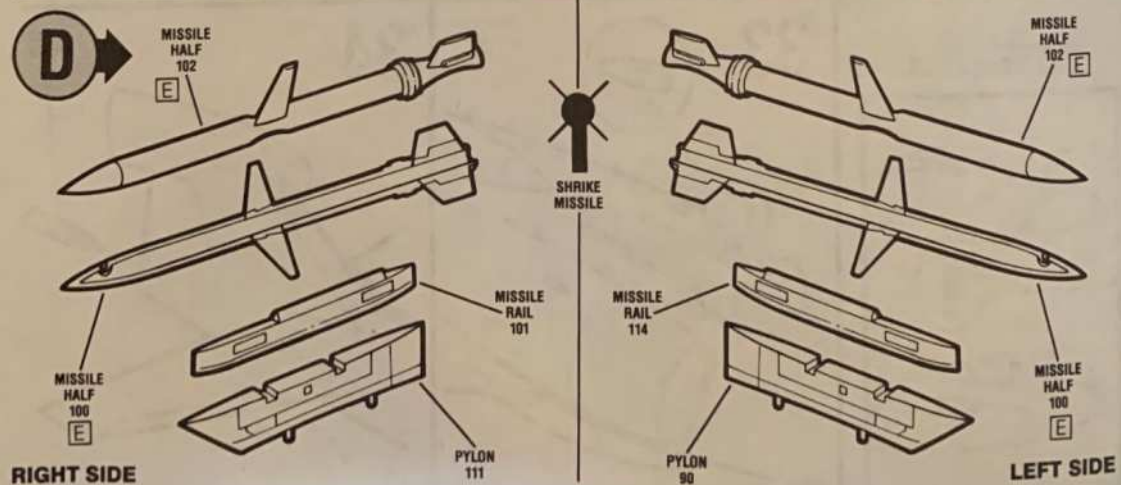
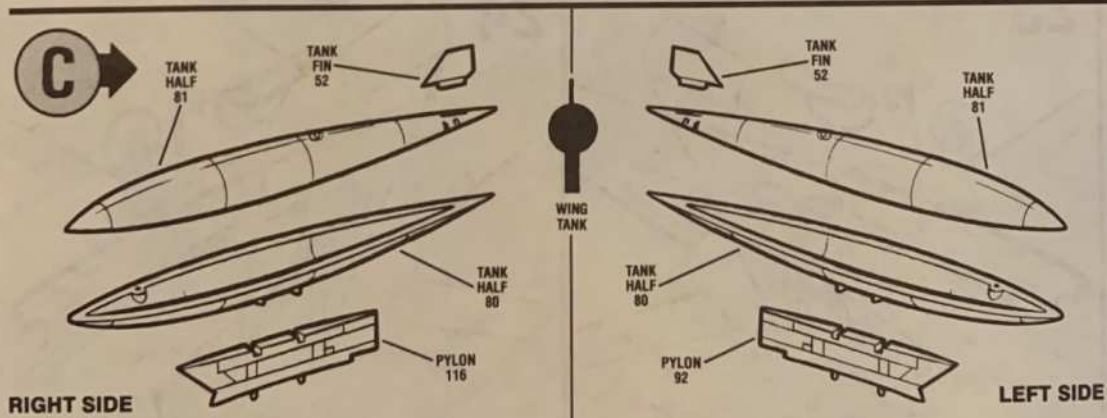
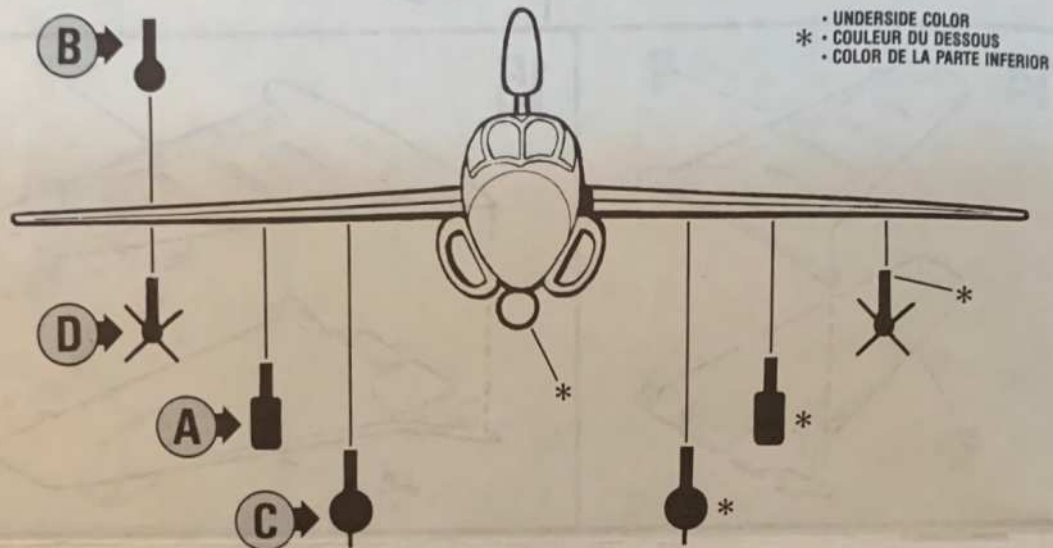
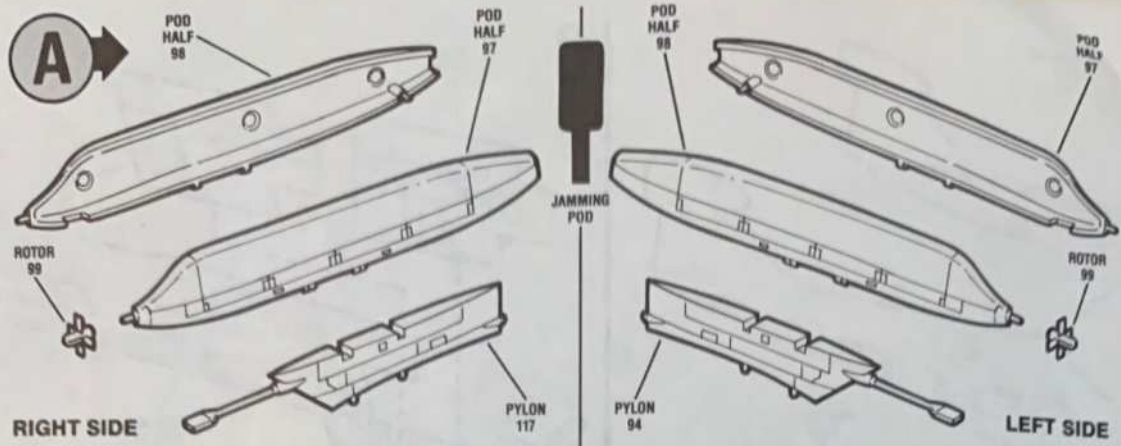
30



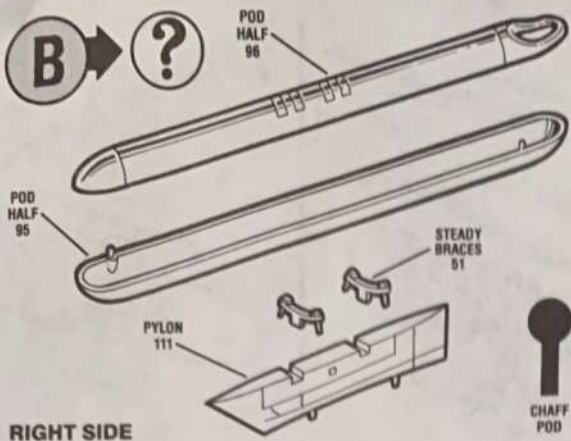
31







B → **?**



RIGHT SIDE

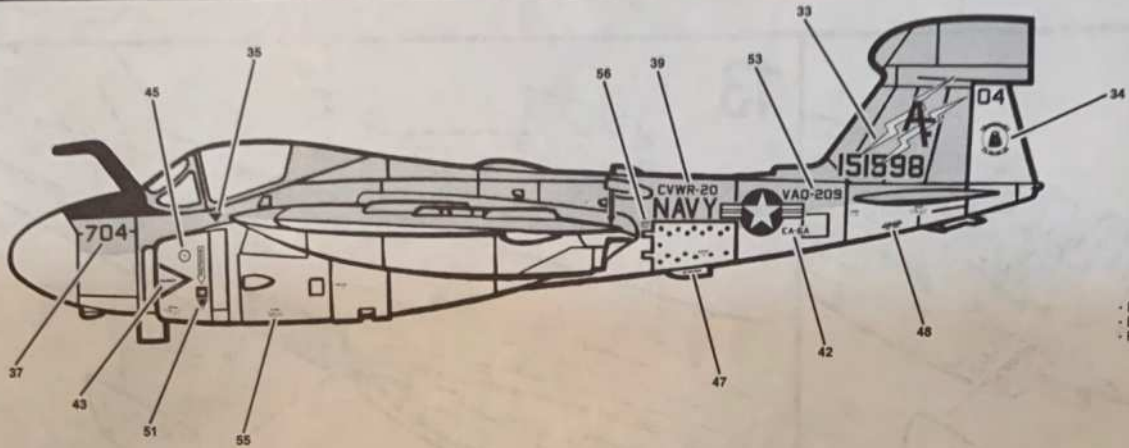
- REMAINING PARTS MAY BE DISCARDED.
- SE DEFAIRE DES PIÈCES RESTANTES.
- LAS PIEZAS QUE SOBREN PUEDEN DESCARTARSE.

FEDERAL STANDARD COLOR NUMBERS

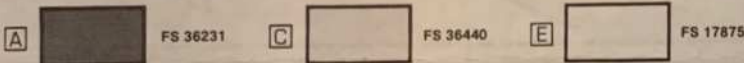
The box top can be used as a guide to paint your model, or you may wish to use the painting information on this page to achieve a more accurate finish. The listed numbers refer to color samples printed in FS 595a. This publication is available from:

GSA SPECIFICATIONS
7th & D Streets S.W.
Room 6652
Washington, D.C. 20407

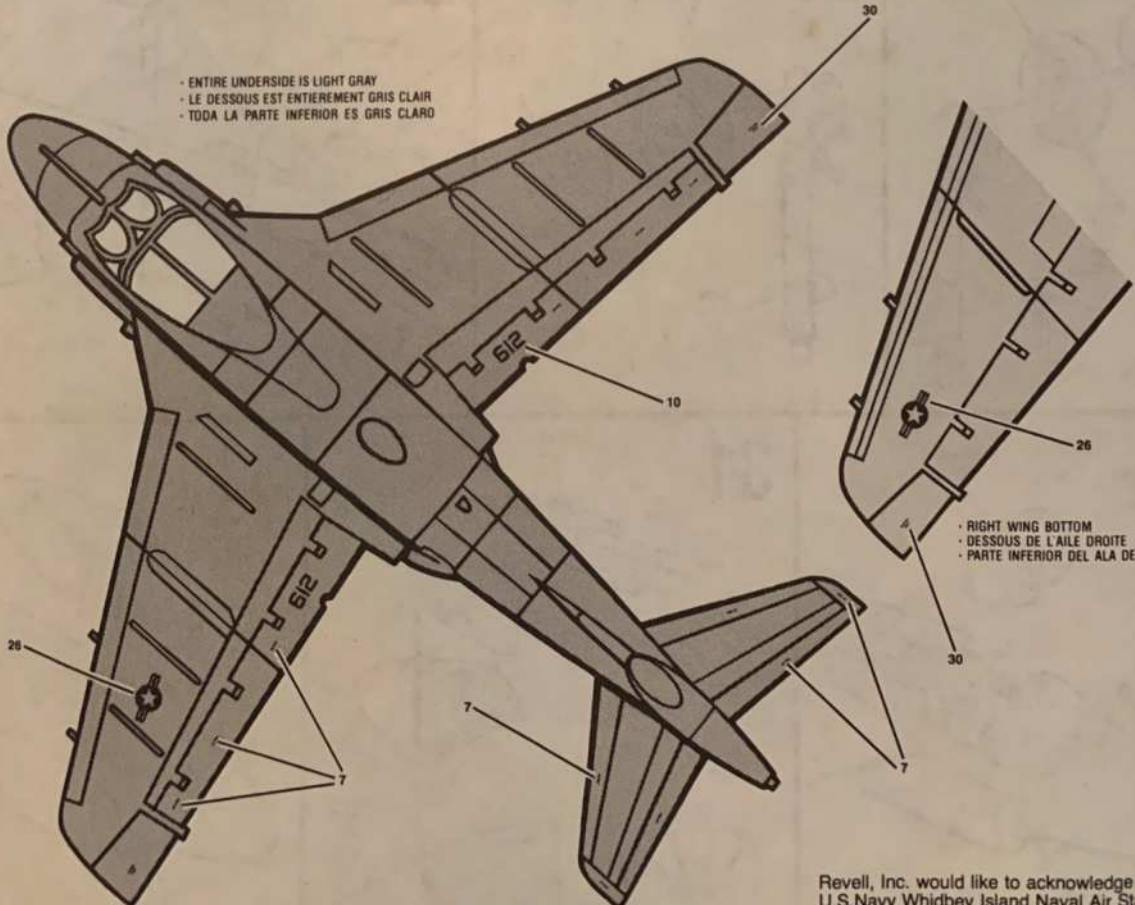
Write to GSA for information regarding current price and availability.



- RIGHT
- DESSO
- PARTE

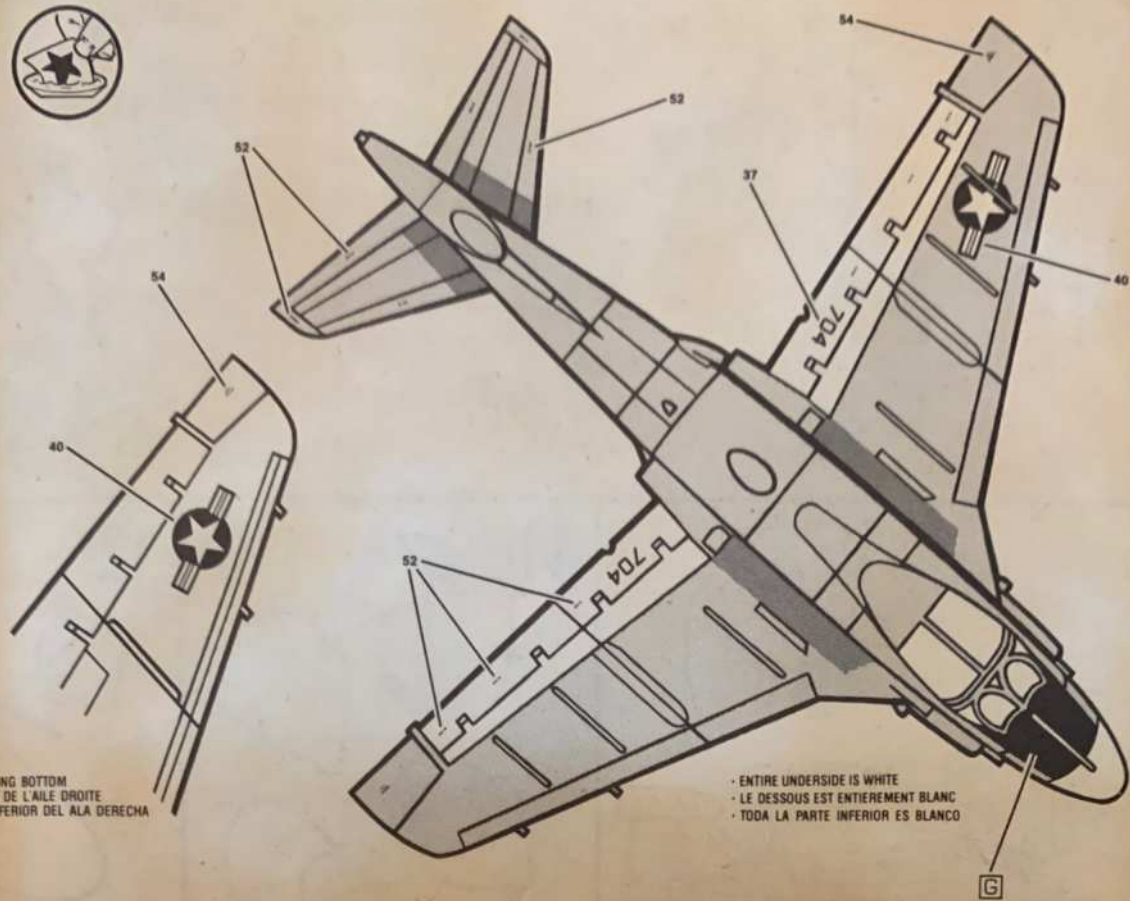


- ENTIRE UNDERSIDE IS LIGHT GRAY
- LE DESSOUS EST ENTIEREMENT GRIS CLAIR
- TODA LA PARTE INFERIOR ES GRIS CLARO



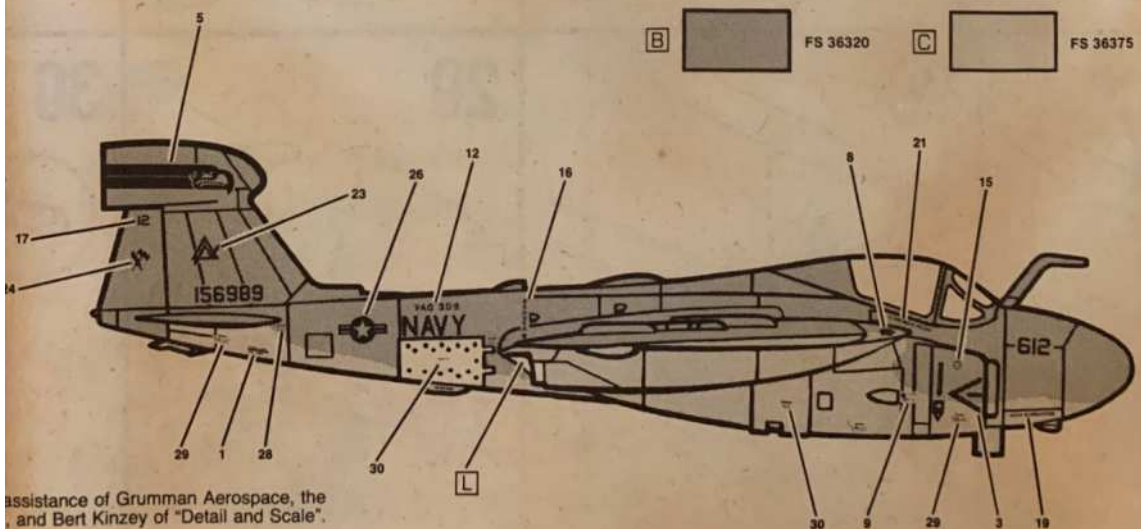
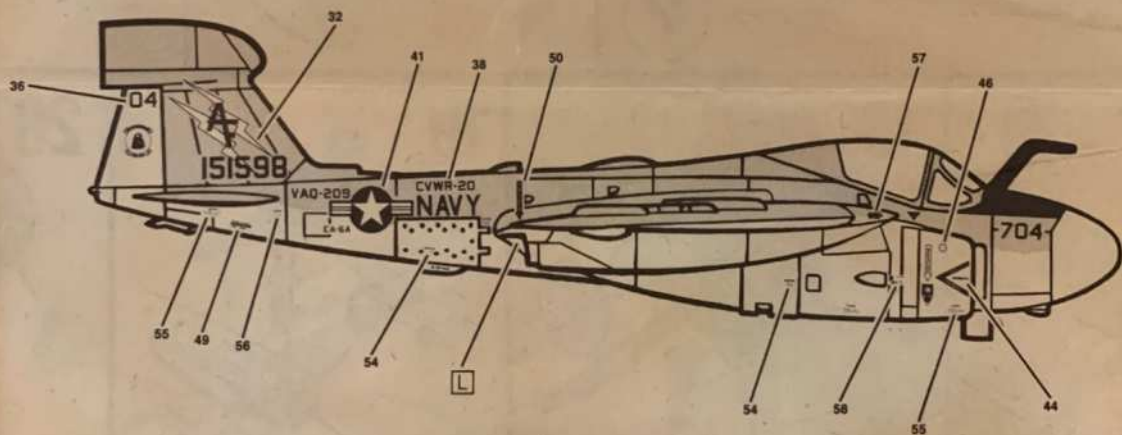
- RIGHT WING BOTTOM
- DESSOUS DE L'AILE DROITE
- PARTE INFERIOR DEL ALA DERECH

Revell, Inc. would like to acknowledge the U.S. Navy Whidbey Island Naval Air Station



· ENTIRE BOTTOM
· DE L'AILE DROITE
· INFERIOR DEL ALA DERECHA

· ENTIRE UNDERSIDE IS WHITE
· LE DESSOUS EST ENTIEREMENT BLANC
· TODA LA PARTE INFERIOR ES BLANCO



[B] FS 36320 [C] FS 36375

assistance of Grumman Aerospace, the
, and Bert Kinzey of "Detail and Scale".