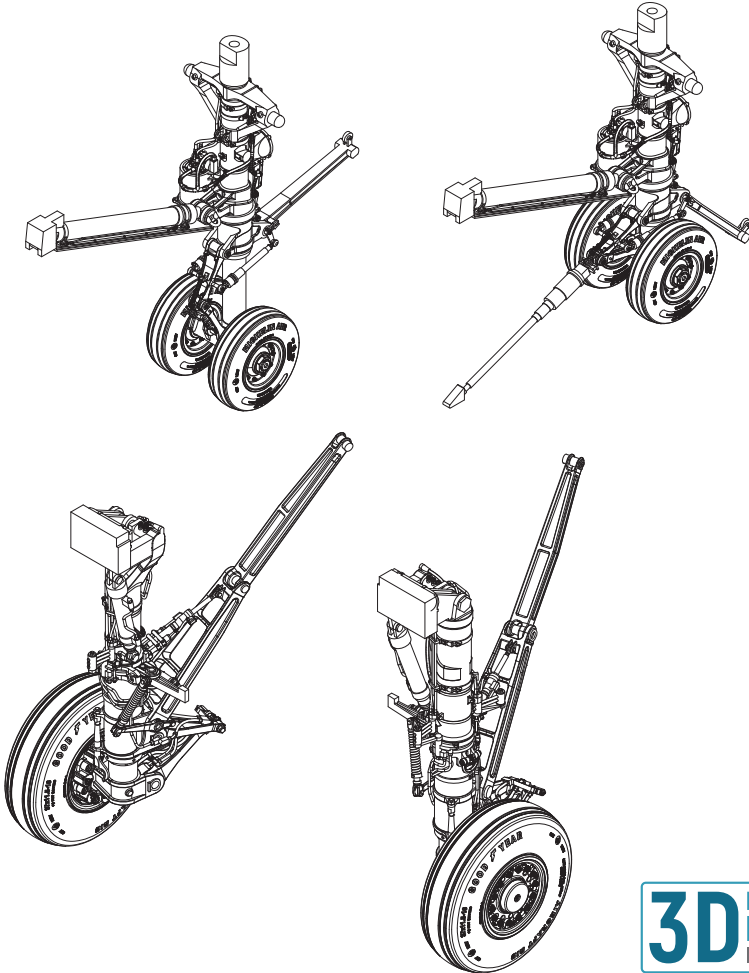


F-14A "TOMCAT" LANDING GEARS FOR TAMIYA KIT



3D PRINTED
PARTS
INCLUDED

CUT



F1



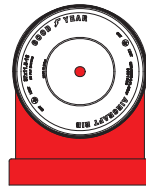
R1



R2



R3



R4



R18

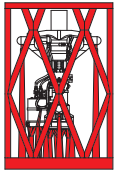


R5

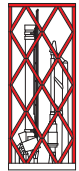
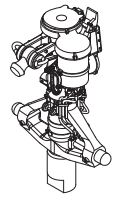
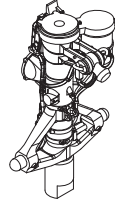
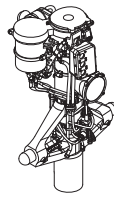
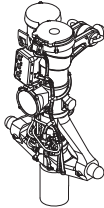
R5

R6

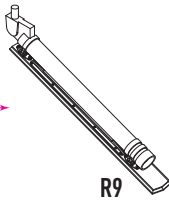
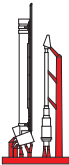
R6



R8



R9 R16



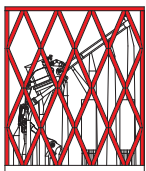
R9



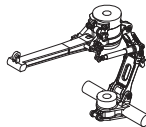
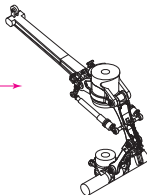
R16

USE A SAW TO REMOVE SUPPORTS FROM 3D PRINTED PARTS

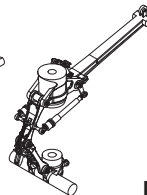
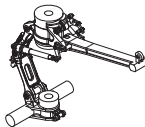
REMOVE PROTECTIVE COVER



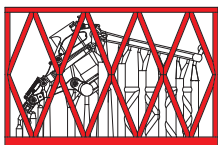
R10 R12



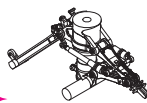
R10



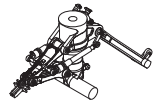
R12



R11



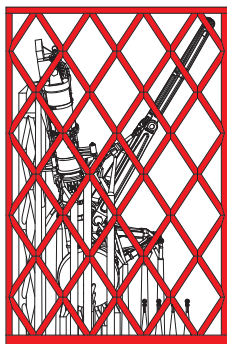
R11



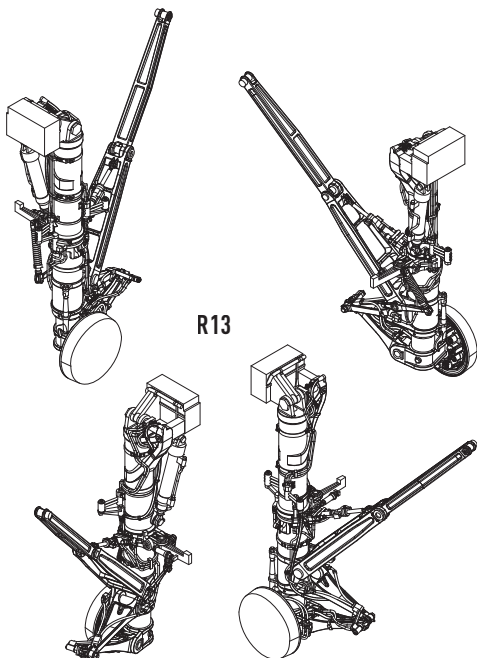
DETAILS AFTER REMOVAL
FROM SPRUES



R15



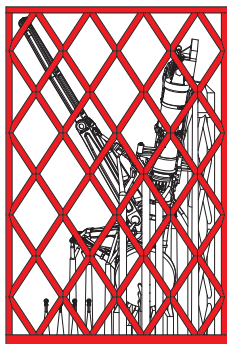
R13 R15



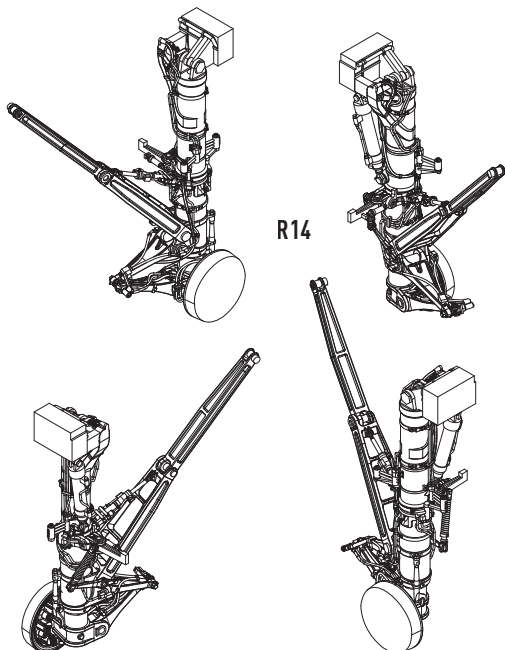
R13



R15

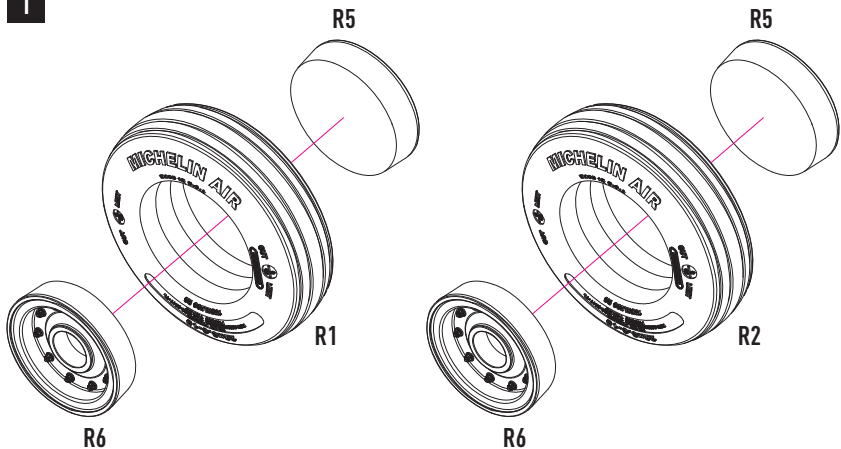


R15 R14

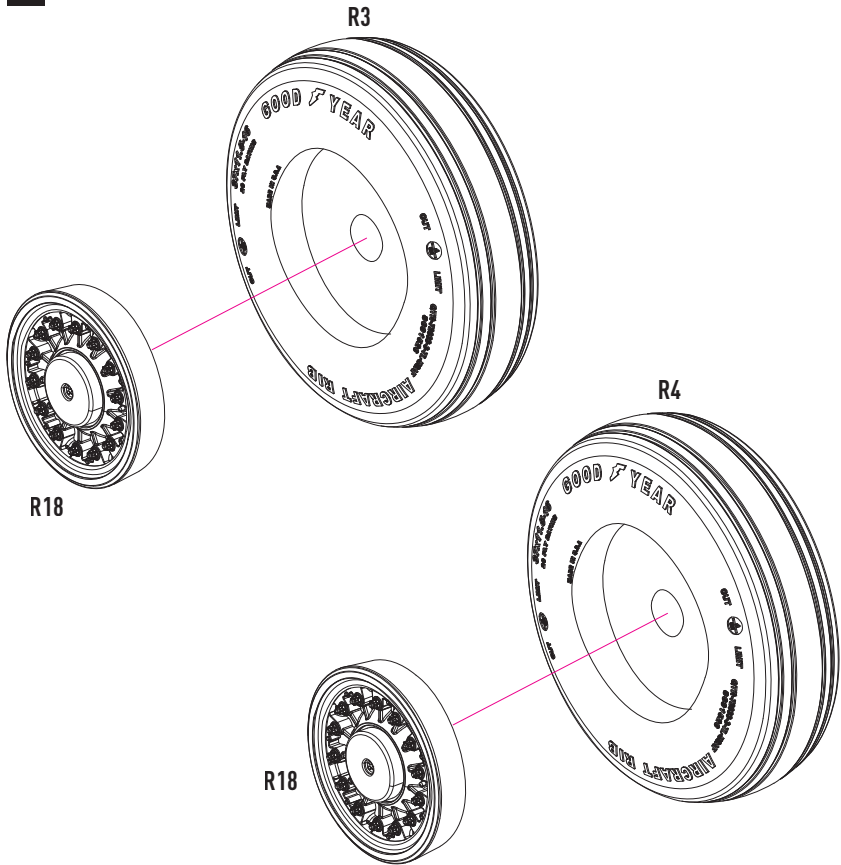


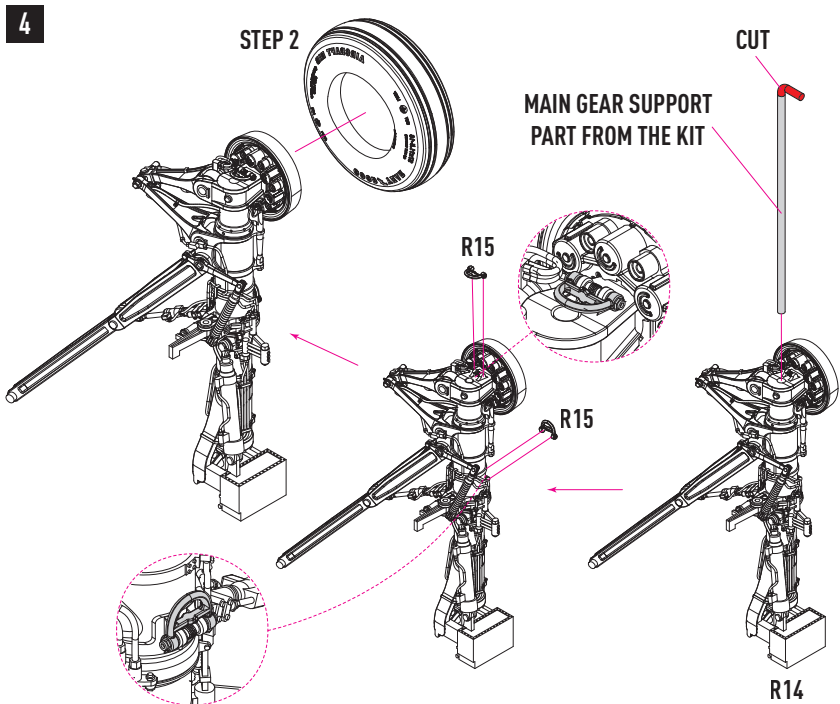
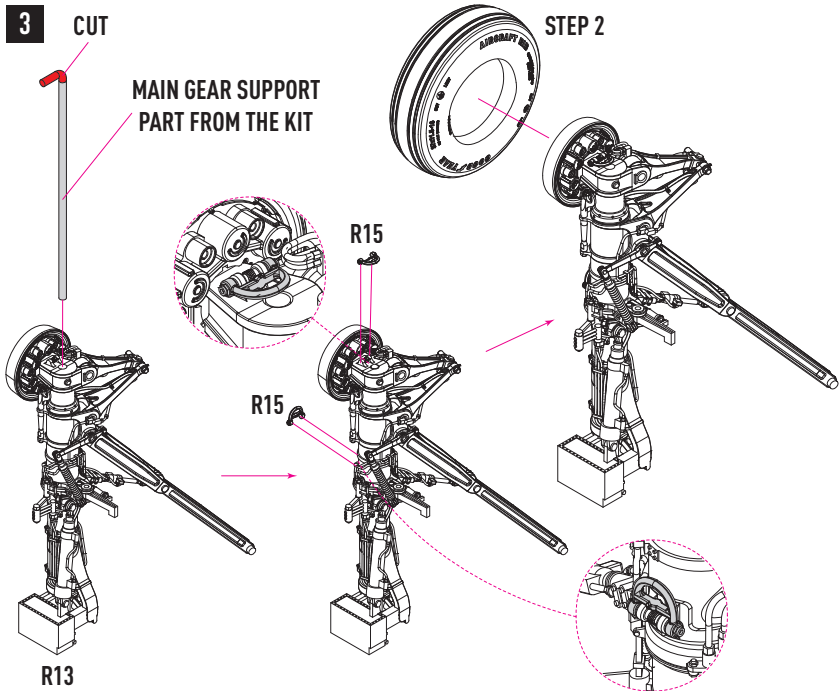
R14

1

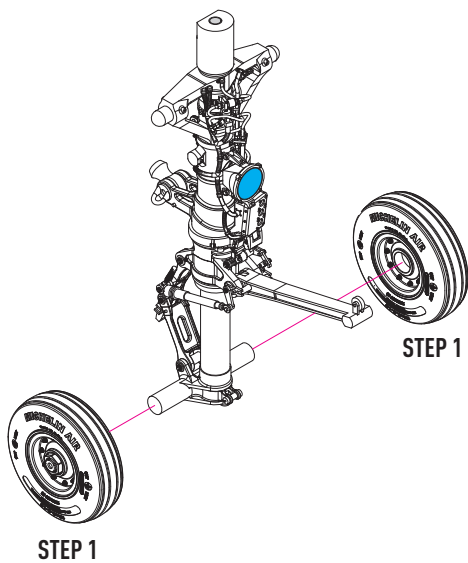
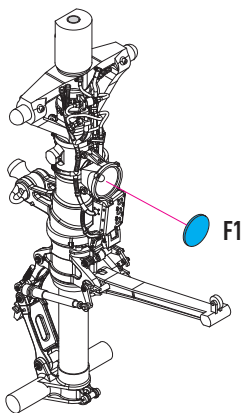
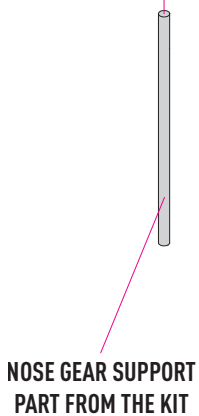
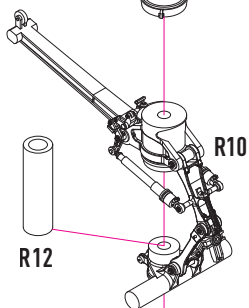
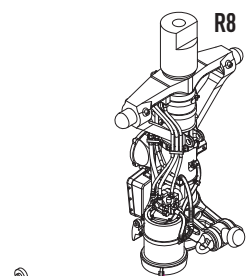


2

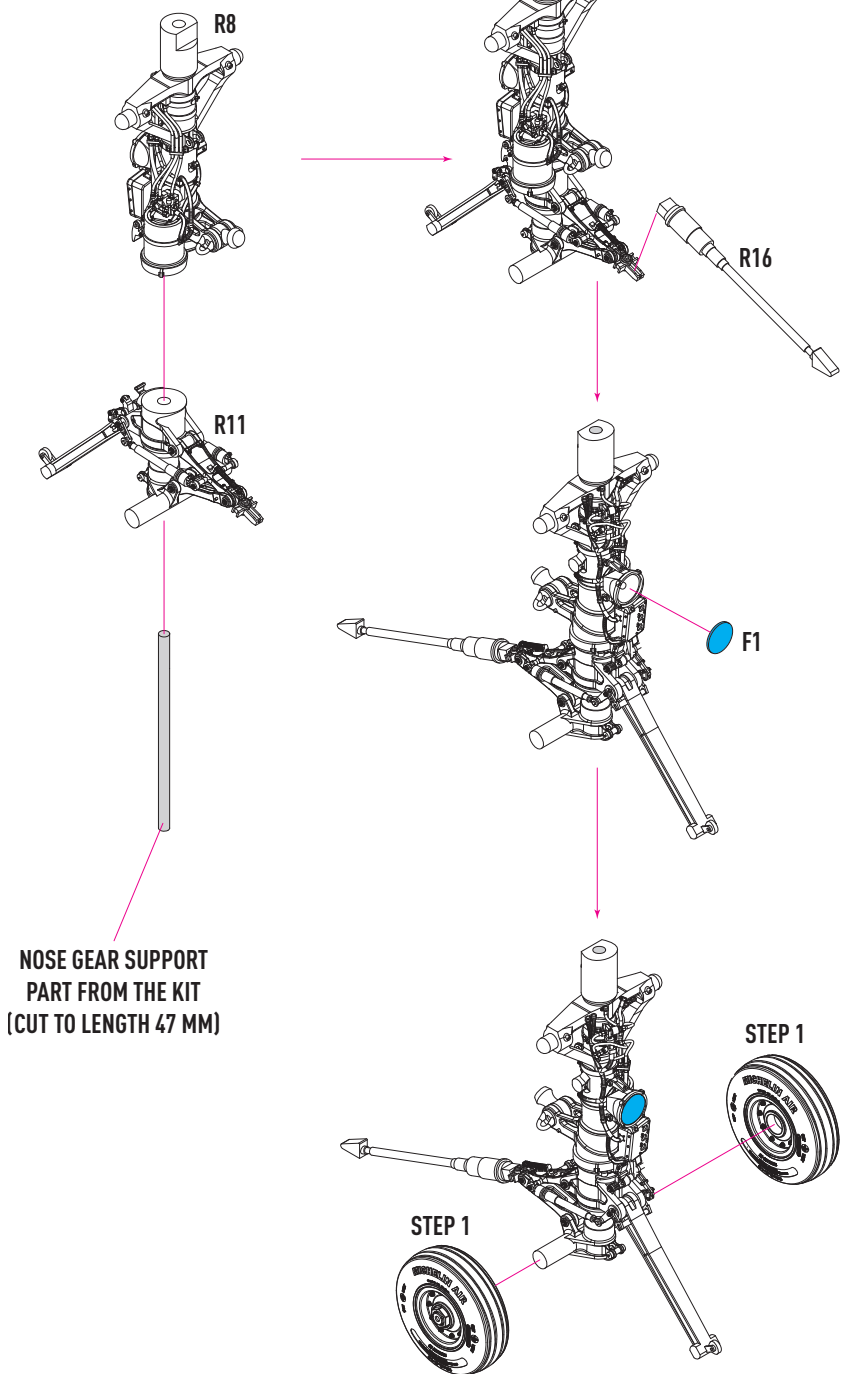




5 NOSE STRUT



6 NOSE STRUT POSITION ON THE CATAPULT



7 BUILD OPTION #1

STEP 5 OR STEP 6

CUT

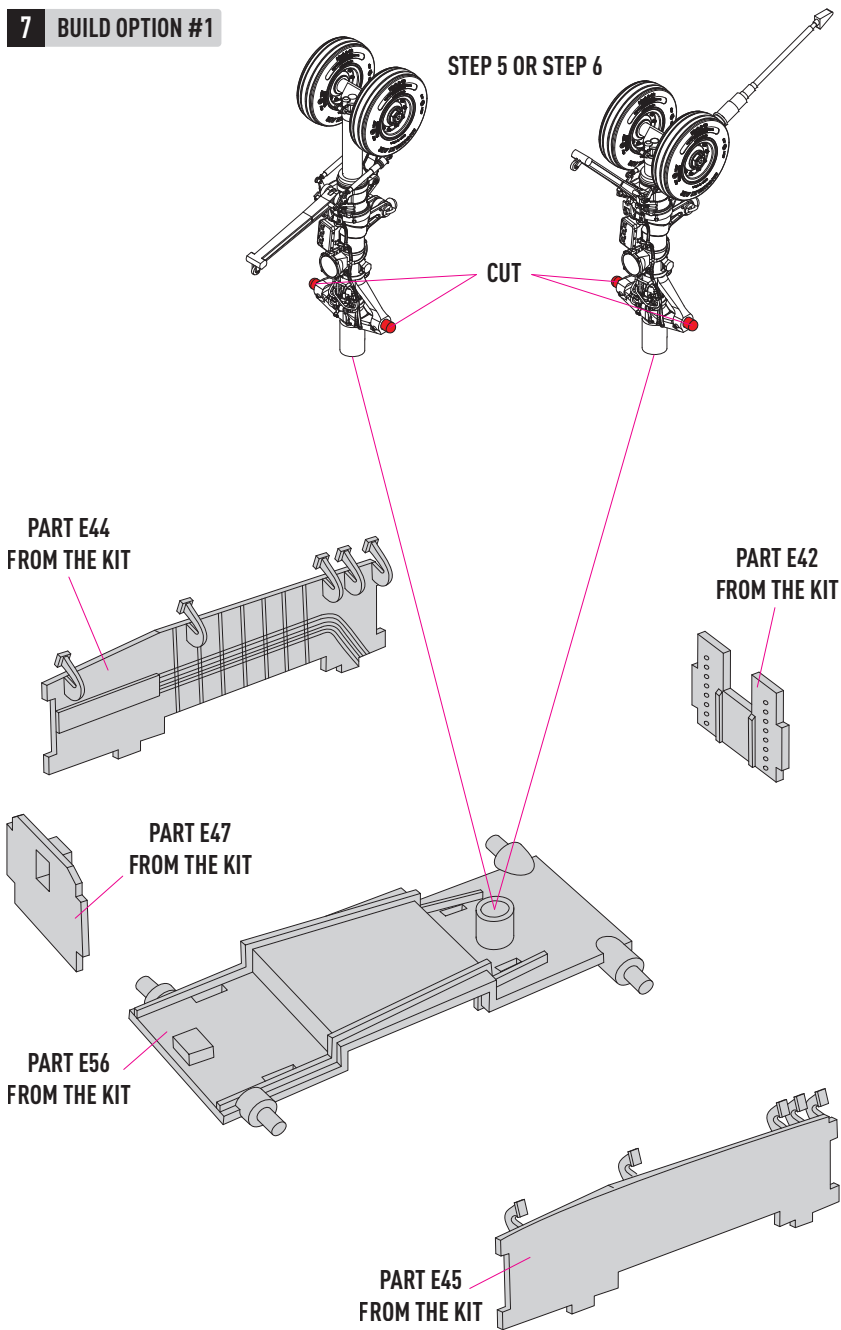
**PART E44
FROM THE KIT**

**PART E42
FROM THE KIT**

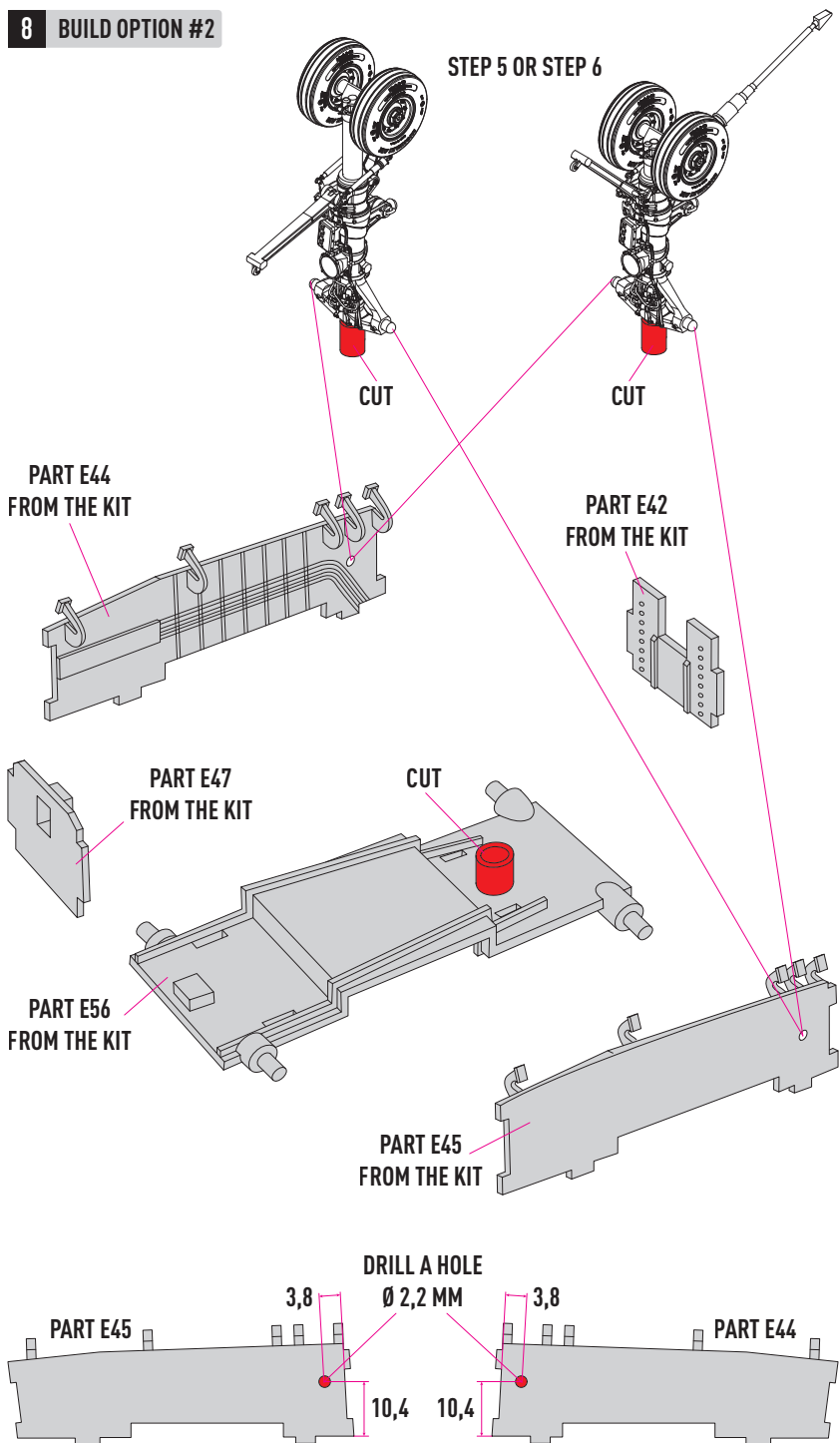
**PART E47
FROM THE KIT**

**PART E56
FROM THE KIT**

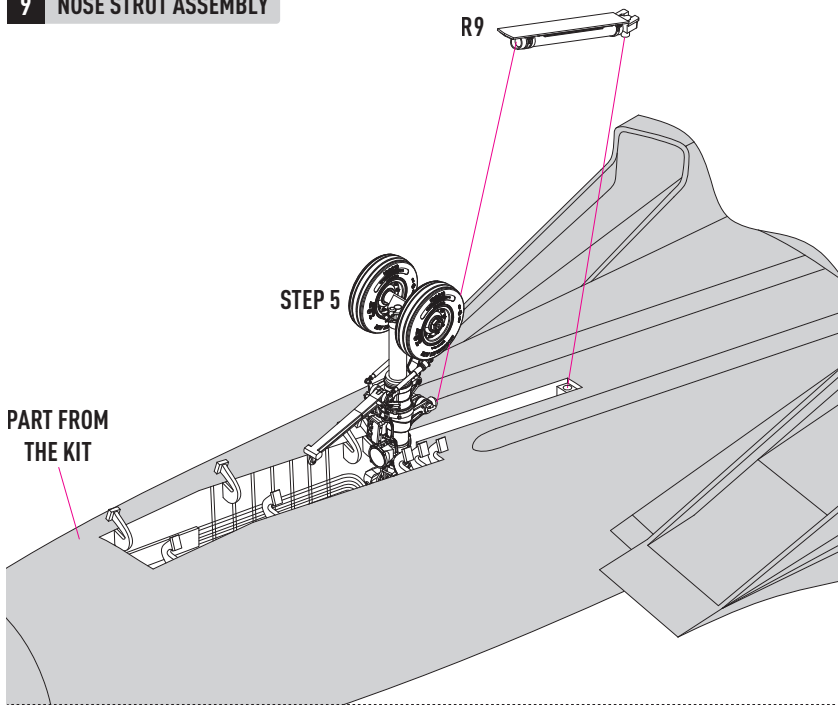
**PART E45
FROM THE KIT**



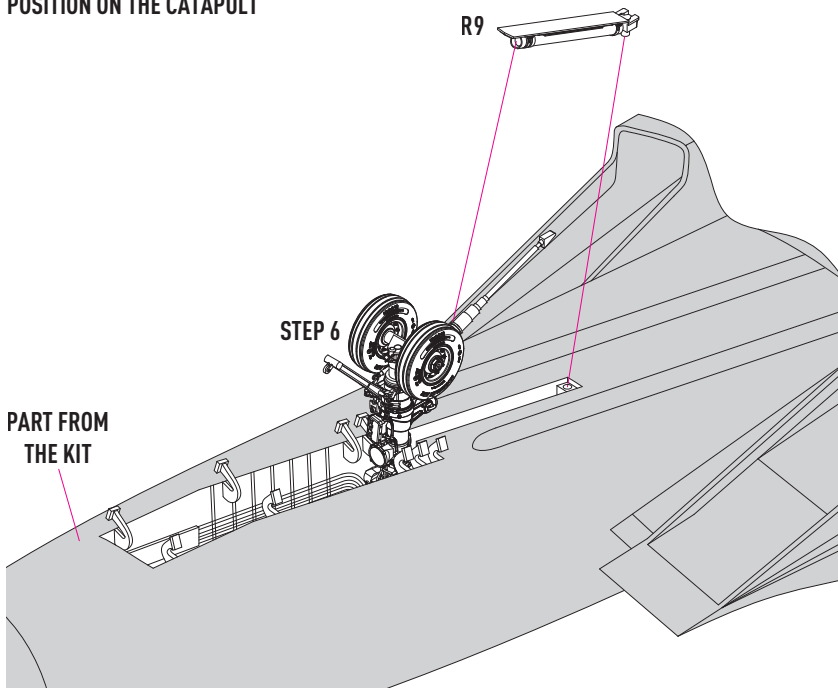
STEP 5 OR STEP 6



9 NOSE STRUT ASSEMBLY



POSITION ON THE CATAPULT

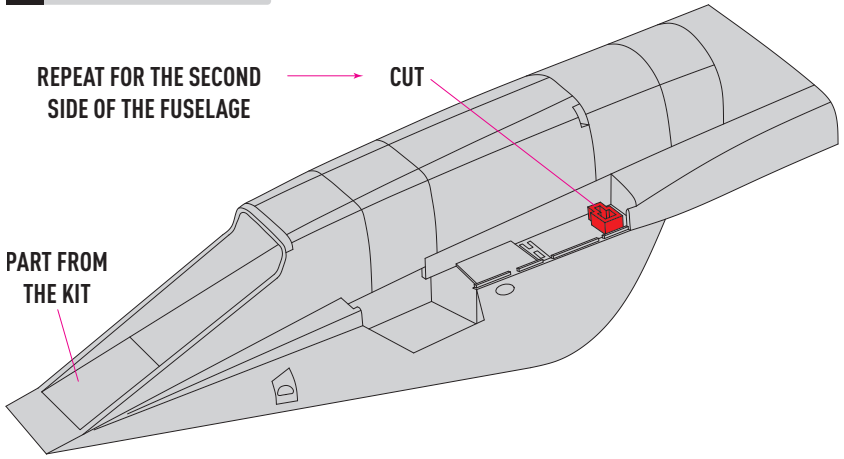


10 SIDE STRUT ASSEMBLY

REPEAT FOR THE SECOND
SIDE OF THE FUSELAGE

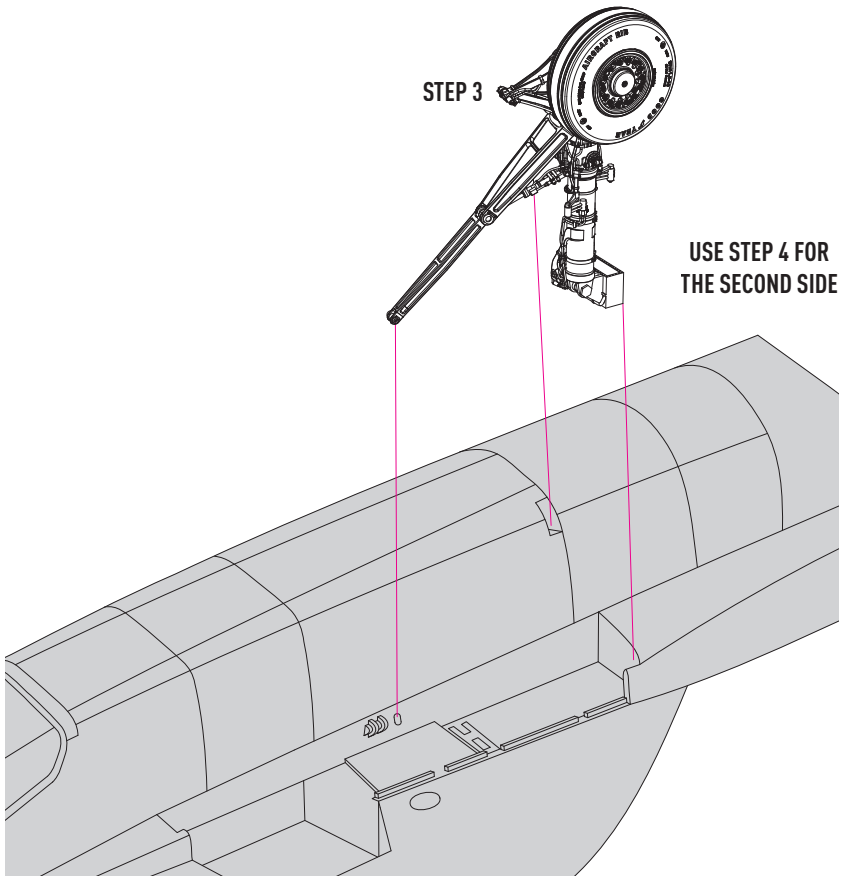
CUT

PART FROM
THE KIT

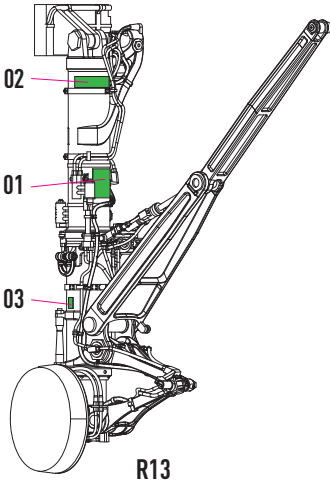


STEP 3

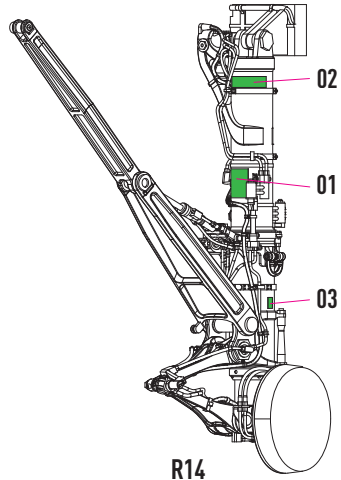
USE STEP 4 FOR
THE SECOND SIDE



DECAL INSTRUCTION



R13



R14

